



US00D808520S

(12) **United States Design Patent** (10) **Patent No.:** **US D808,520 S**
Melendez et al. (45) **Date of Patent:** **** Jan. 23, 2018**

(54) **ABSORBENT ARTICLE WITH A PATTERN**

9,101,513 B2 * 8/2015 Takahashi A61F 13/49466
9,248,054 B2 * 2/2016 Brown A61F 13/15593
9,278,032 B2 * 3/2016 Morimoto A61F 13/49011
2001/0053898 A1 12/2001 Olson et al.

(71) Applicant: **The Procter & Gamble Company,**
Cincinnati, OH (US)

(Continued)

(72) Inventors: **Vanessa Marie Melendez,** Cincinnati,
OH (US); **Jeremy Menner,** Cincinnati,
OH (US); **Jessica Owen Stephens,**
Cincinnati, OH (US); **McKenzie Kae**
Elston, Cincinnati, OH (US)

FOREIGN PATENT DOCUMENTS

WO WO 03-105741 A1 12/2003

(73) Assignee: **The Procter & Gamble Company,**
Cincinnati, OH (US)

OTHER PUBLICATIONS

Target.com cached archive copy from Jul. 23, 2014, accessed via
WaybackMachine.org on Dec. 10, 2015, with image of “Marie Meili
Curvy Women’s Sofia Light Control Brief”.

(**) Term: **15 Years**

(Continued)

(21) Appl. No.: **29/534,763**

Primary Examiner — Ian Simmons

(22) Filed: **Jul. 31, 2015**

Assistant Examiner — Samantha Q Lawrence

(51) **LOC (11) Cl.** **24-04**

(74) *Attorney, Agent, or Firm* — Dara M. Kendall

(52) **U.S. Cl.**
USPC **D24/126**

(57) **CLAIM**

(58) **Field of Classification Search**
USPC D2/700, 701; D24/124–126; 604/347,
604/348, 354, 358–361, 378, 385.01,
604/385.201, 385.22, 385.24, 385.25;
D5/21, 25, 29, 35, 37, 39, 53, 59, 60, 61
See application file for complete search history.

The ornamental design for an absorbent article with a
pattern, as shown and described.

DESCRIPTION

(56) **References Cited**

U.S. PATENT DOCUMENTS

D432,236 S * 10/2000 Dutcher D24/124
D442,279 S 5/2001 Ruman et al.
D479,989 S * 9/2003 Drumm D24/126
D583,936 S * 12/2008 Sasayama D24/126
D631,540 S * 1/2011 Venable D24/126
8,038,662 B2 * 10/2011 Hornung A61F 13/49011
604/385.22
8,449,517 B2 * 5/2013 Ueda A61F 13/49011
604/385.01
D693,464 S * 11/2013 Neely D24/126
D733,872 S * 7/2015 Beck D24/126

FIG. 1 is a perspective view of an absorbent article with a
pattern;
FIG. 2 is a front view thereof;
FIG. 3 is a rear view thereof;
FIG. 4 is a right side view thereof;
FIG. 5 is a left side view thereof;
FIG. 6 is a top end view thereof; and,
FIG. 7 is a bottom end view thereof.
The stippling shown in the figures indicates a contrast in
appearance.
The broken lines shown in FIGS. 1-2 and 4-7 illustrate
portions of the absorbent article with a pattern that form no
part of the claimed design.

1 Claim, 5 Drawing Sheets



(56)

References Cited

U.S. PATENT DOCUMENTS

2006/0173436 A1 8/2006 Krautkramer et al.
2010/0076394 A1 3/2010 Hayase et al.
2013/0306225 A1 11/2013 Wade et al.
2013/0324956 A1 12/2013 Zink et al.

OTHER PUBLICATIONS

Target.com cached archive copy from Jul. 23, 2014, accessed via WaybackMachine.org on Dec. 10, 2015, with image of "Women's Cotton with Lace Hipster Panty-Xhilaration".

Target.com cached archive copy from Aug. 22, 2014, accessed via WaybackMachine.org on Dec. 10, 2015, with image of "Pampers Easy Ups".

Photos of Pampers EasyUps package, purchased at Kroger on Sep. 20, 2010.

* cited by examiner



Fig. 1

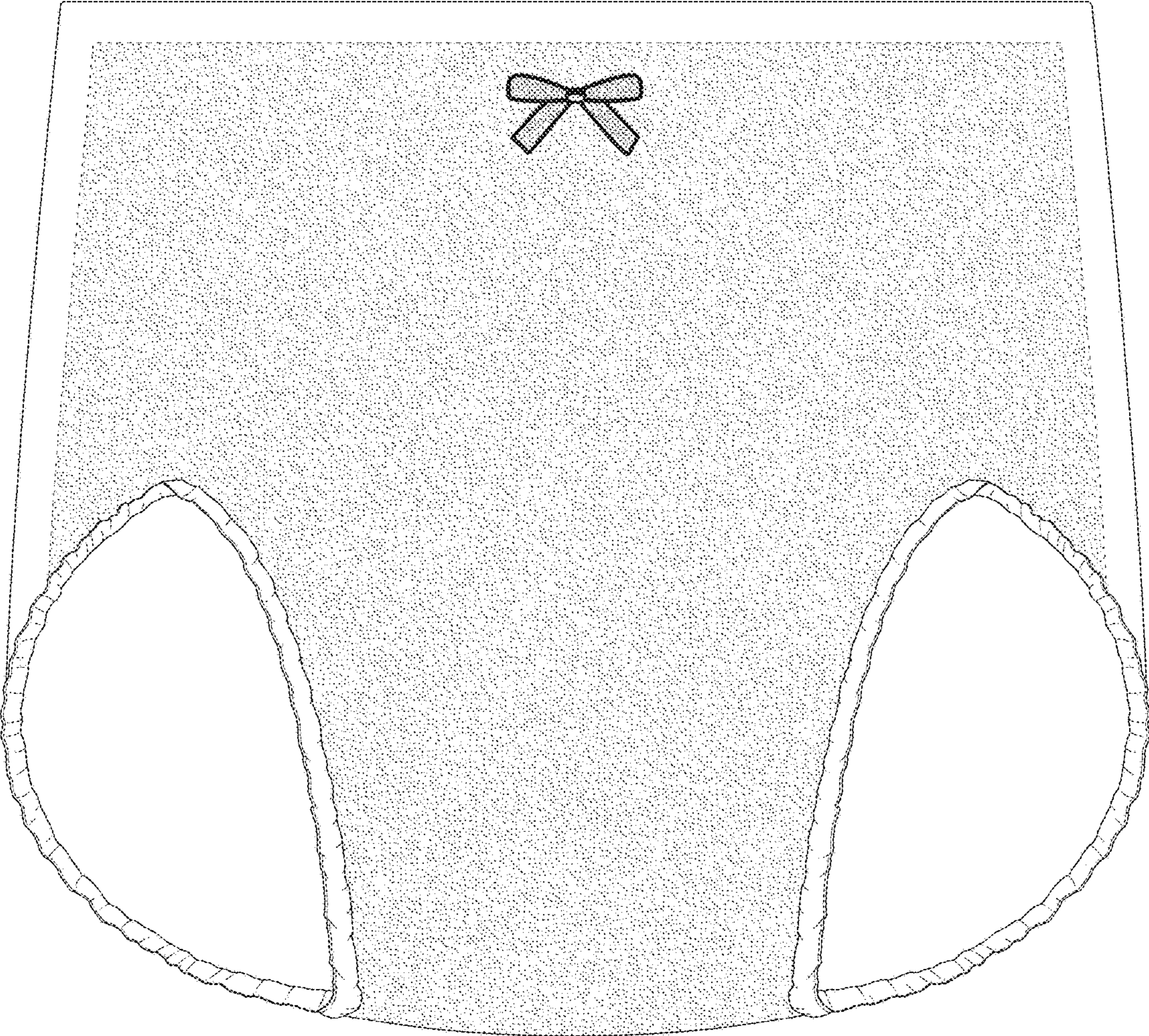


Fig. 2

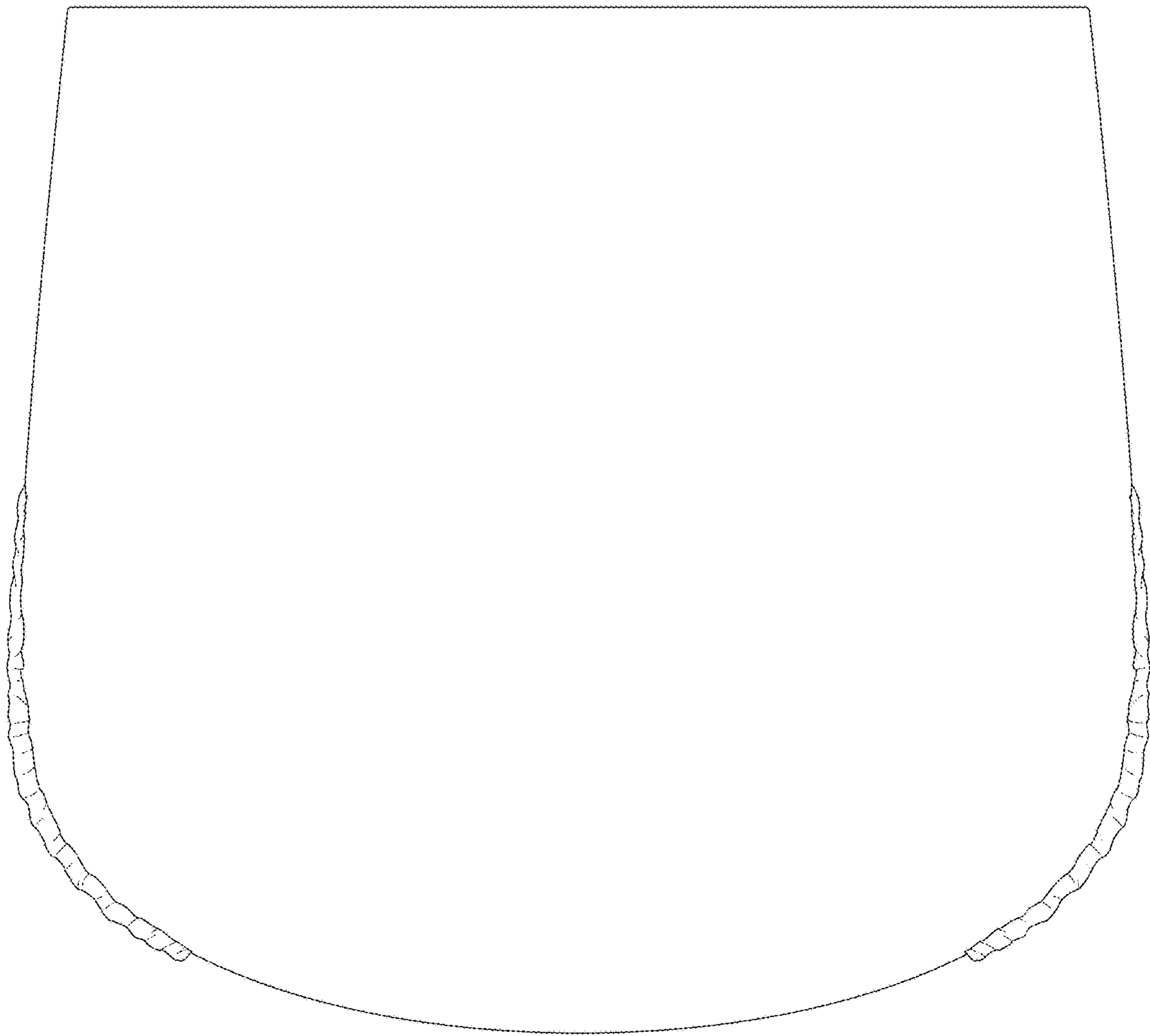


Fig. 3

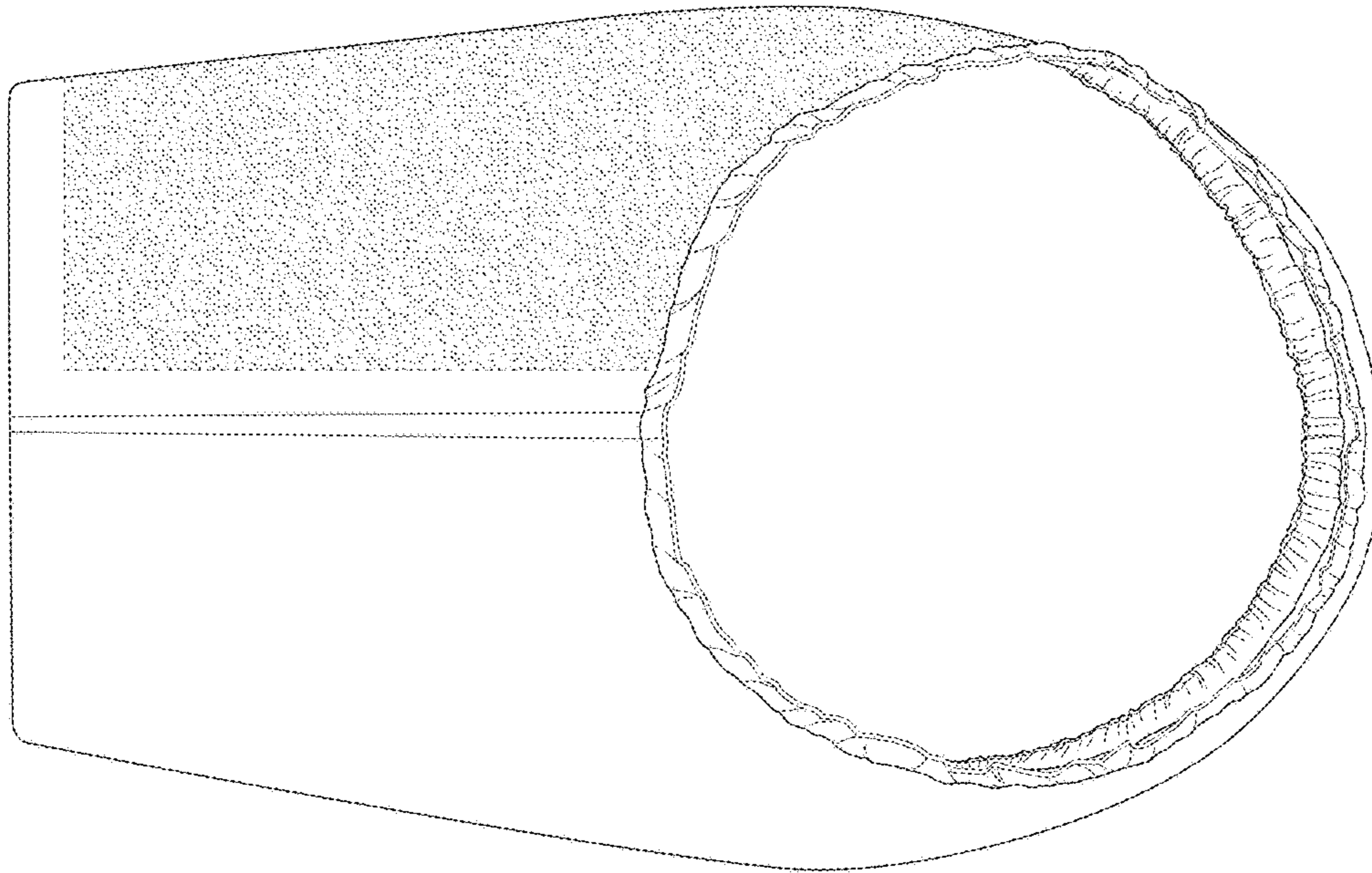


Fig. 5

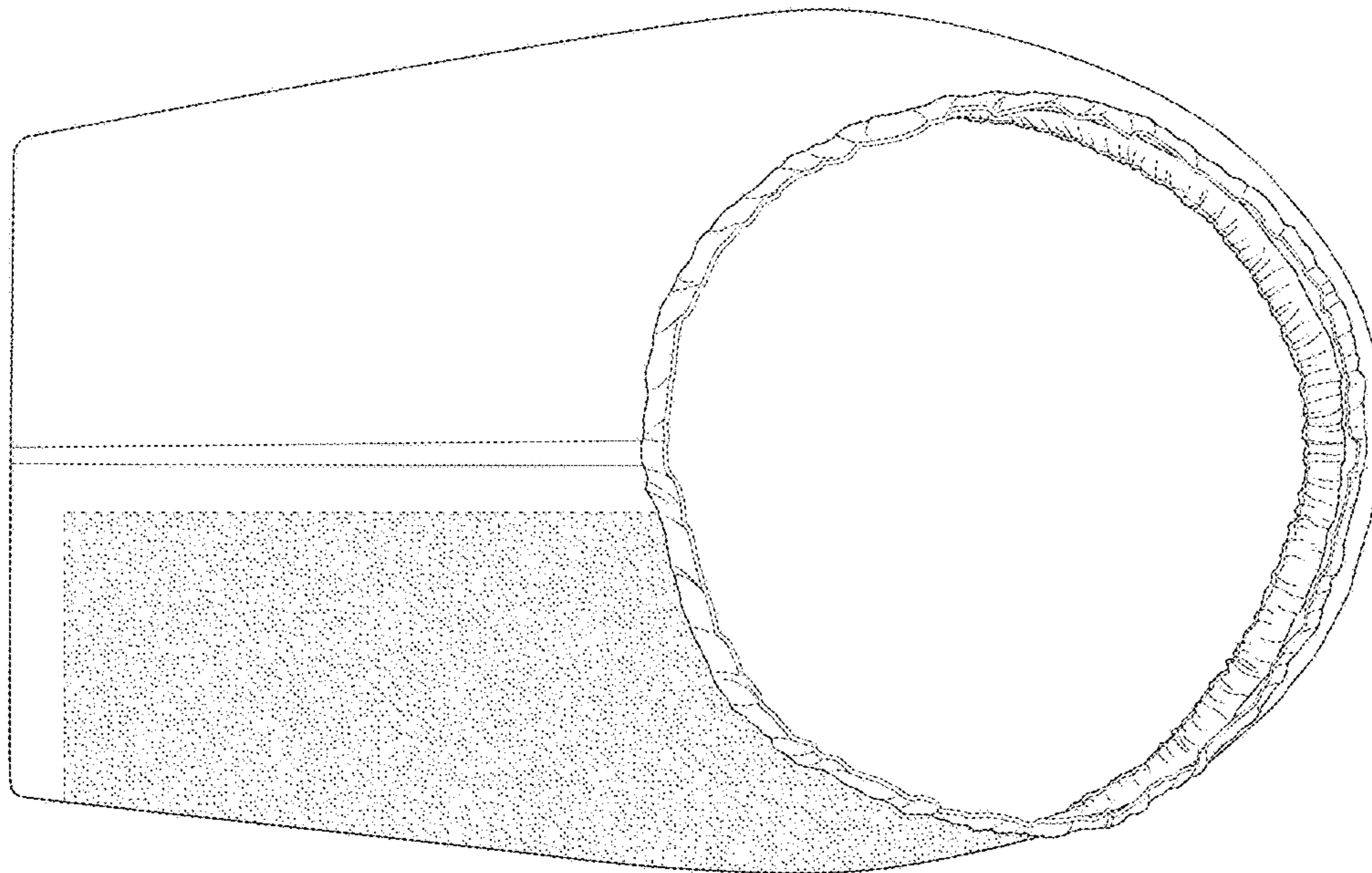


Fig. 4

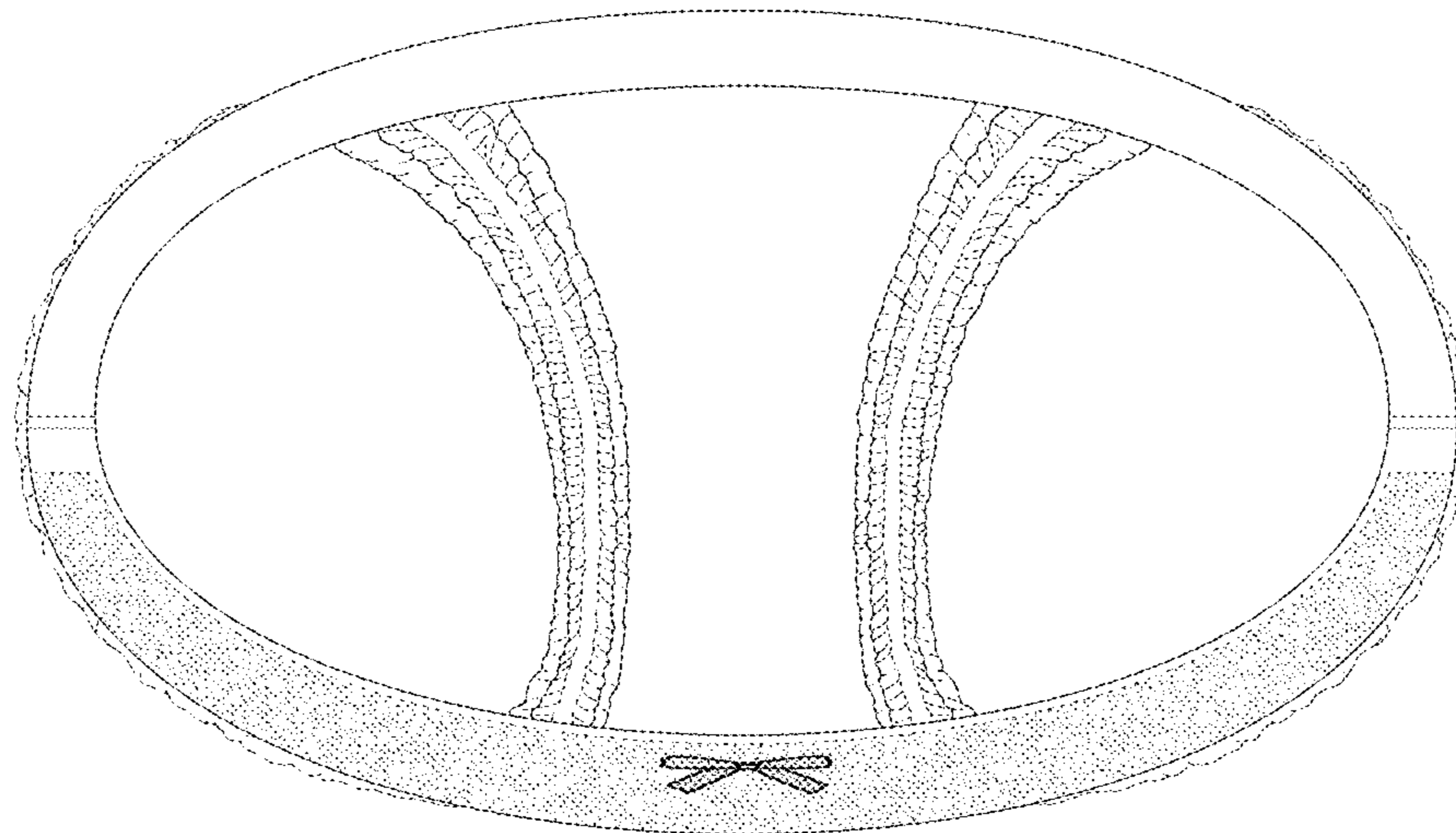


Fig. 6

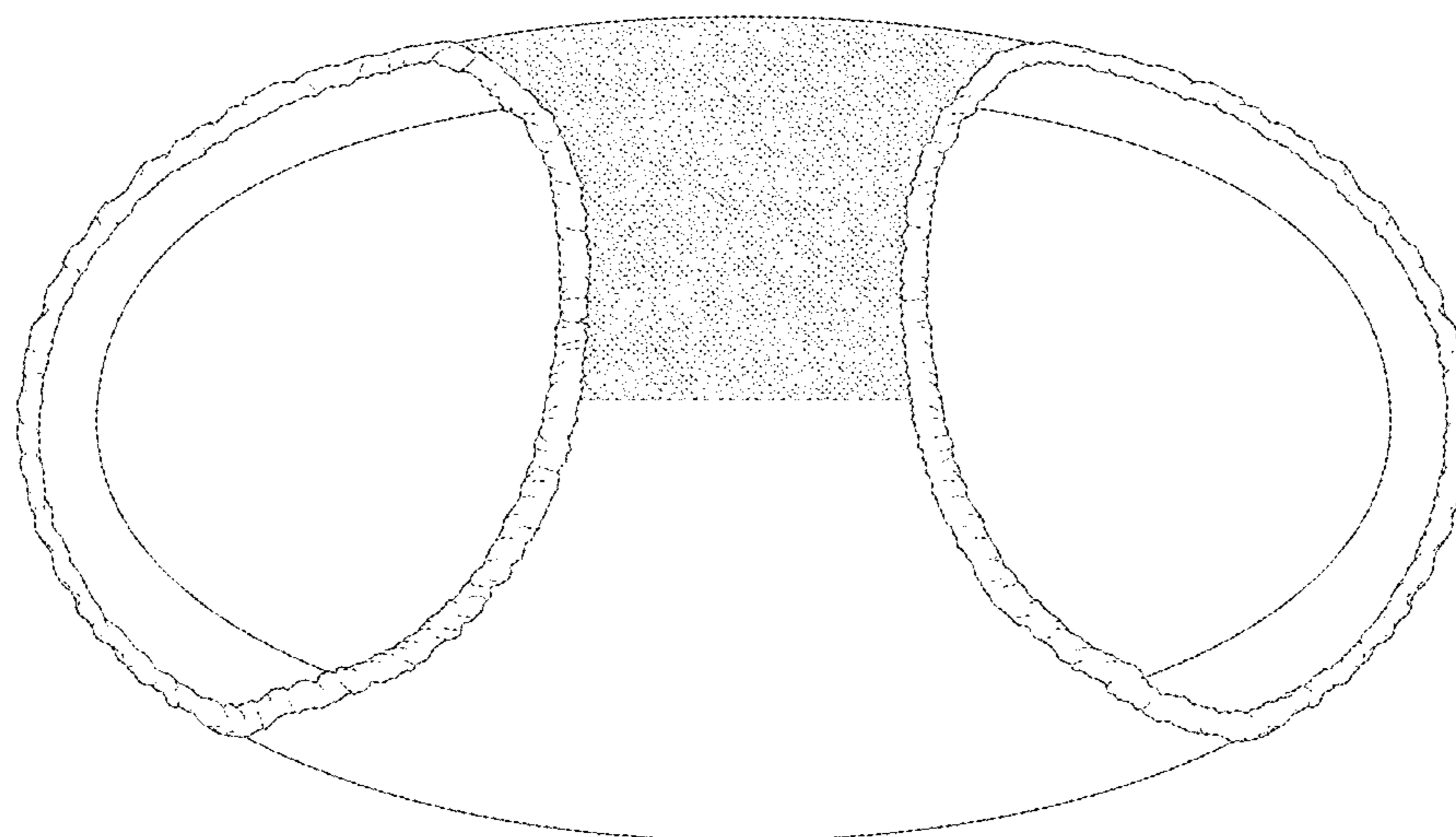


Fig. 7