



US00D808514S

(12) **United States Design Patent** (10) **Patent No.:** **US D808,514 S**
Valenzuela Arteaga (45) **Date of Patent:** **** Jan. 23, 2018**

(54) **NASAL ASPIRATOR FOR INFANTS**
(71) Applicant: **Vaico SpA**, Santiago (CL)
(72) Inventor: **Nicolas Valenzuela Arteaga**, Santiago (CL)
(73) Assignee: **VAICO SpA**, Santiago (CL)
(**) Term: **15 Years**
(21) Appl. No.: **29/570,666**

(22) Filed: **Jul. 11, 2016**
(30) **Foreign Application Priority Data**
Jan. 12, 2016 (CL) 201600066
(51) **LOC (11) Cl.** **24-01**
(52) **U.S. Cl.**
USPC **D24/108**
(58) **Field of Classification Search**
USPC D24/108, 110, 110.5, 111, 113
CPC A61M 2210/0618; A61M 1/0058; A61M 1/0062; A61M 2205/82; A61M 1/0003; A61M 2205/8206; A61B 2017/246
See application file for complete search history.

(56) **References Cited**
U.S. PATENT DOCUMENTS
1,481,008 A * 1/1924 Hodlick A61M 1/0023 604/212
D618,335 S * 6/2010 Nunez D24/108
D678,501 S * 3/2013 Champe D24/108
D682,417 S * 5/2013 Csok D24/108
D779,054 S * 2/2017 Mehta D24/115
2012/0273045 A1* 11/2012 Waldman A61M 16/0484 137/1

2013/0310747 A1* 11/2013 Lambert A61M 1/0076 604/149
2014/0213991 A1* 7/2014 Skrzyniarz A61M 1/0047 604/319
2016/0263295 A1* 9/2016 Mehta A61M 1/0003

OTHER PUBLICATIONS

Morrow, Lindsey. Best Baby Nasal Aspirator. Mother Rising. Date published: Mar. 1, 2016. <<http://www.mothersrisingbirth.com/2016/03/best-baby-nasal-aspirator.html>>.*

* cited by examiner

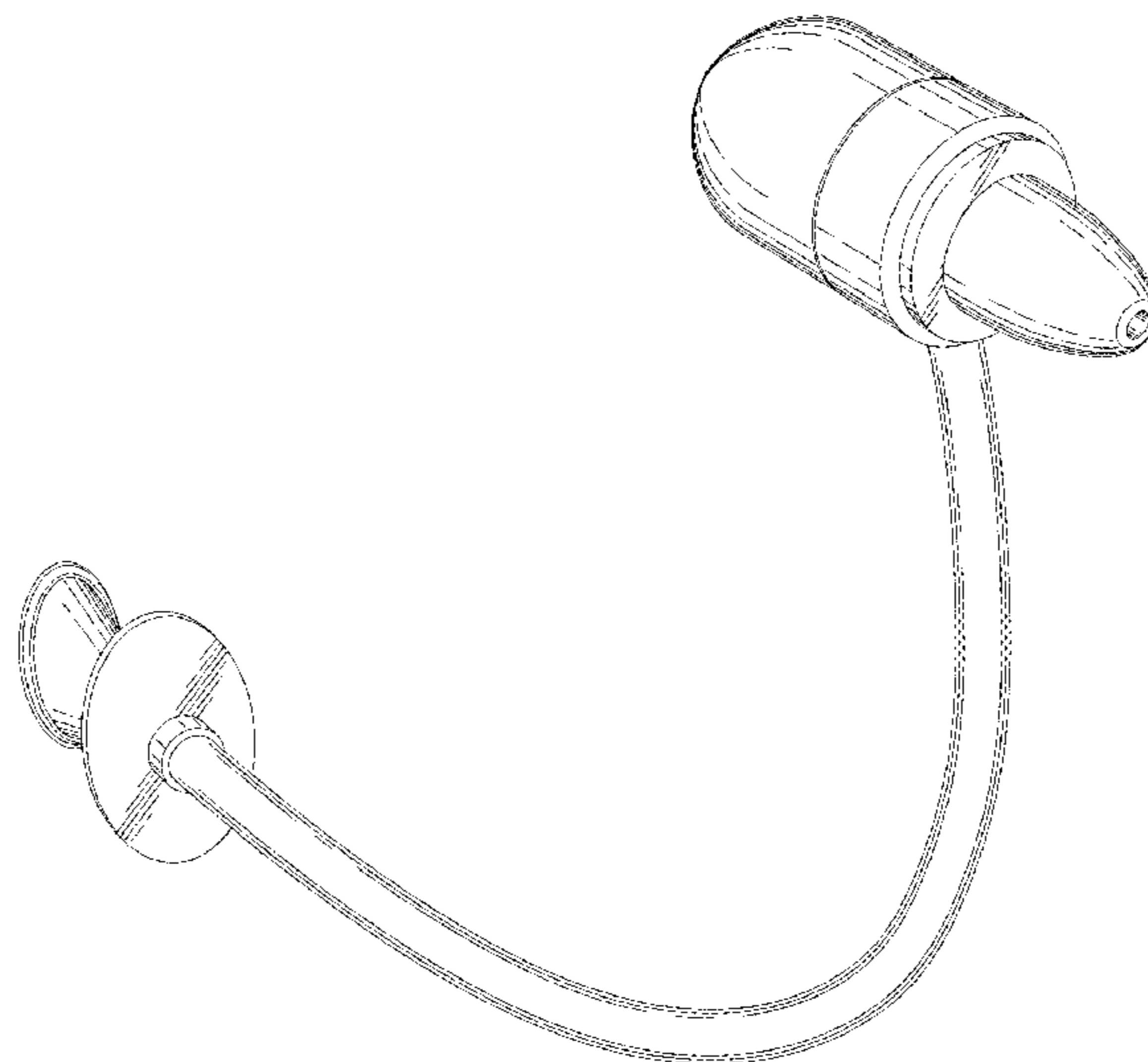
Primary Examiner — Barbara Fox
Assistant Examiner — Lilyana Bekic
(74) *Attorney, Agent, or Firm* — Lucas & Mercanti, LLP

(57) **CLAIM**
The ornamental design for a nasal aspirator for infants, as shown and described.

DESCRIPTION

FIG. 1 is an enlarged front perspective view of a nasal aspirator for infants, showing my new design; FIG. 2 is a top perspective view thereof; FIG. 3 is a bottom perspective view thereof; FIG. 4 is a left view thereof; FIG. 5 is a right view thereof; FIG. 6 is a front view thereof; FIG. 7 is a back view thereof; and, FIG. 8 is an enlarged perspective view of the nasal aspirator for infants shown in a folded configuration with portable packaging. The broken line showing of the portable packaging in FIG. 8 illustrates environment and forms no part of the claimed design.

1 Claim, 6 Drawing Sheets



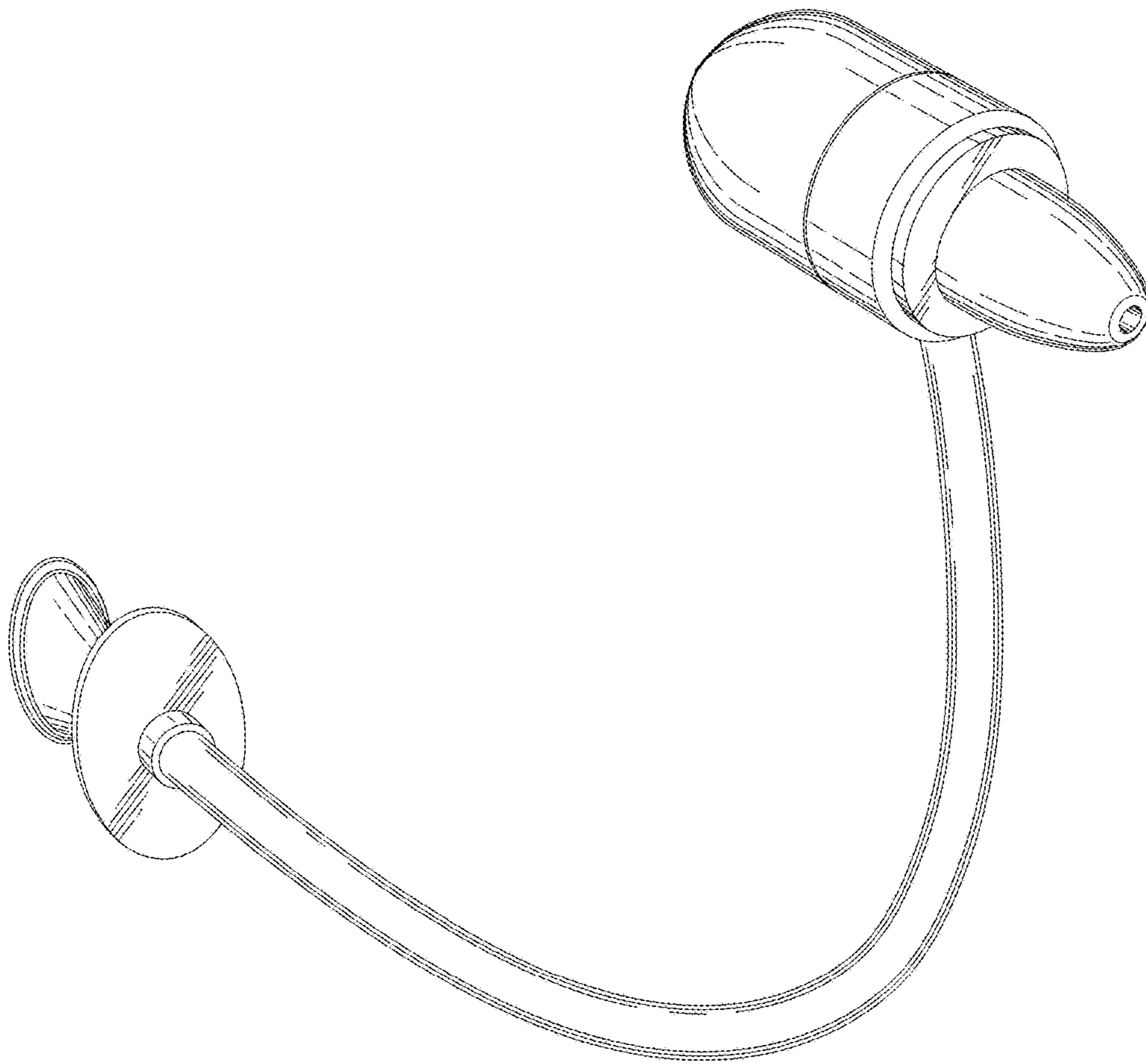


Fig. 1

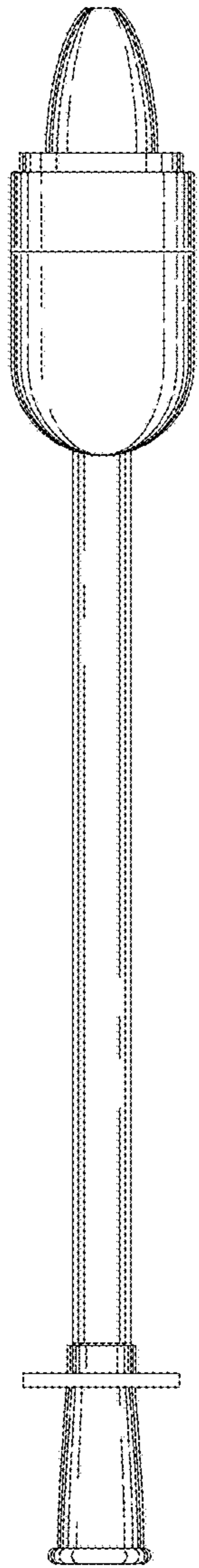


Fig. 2

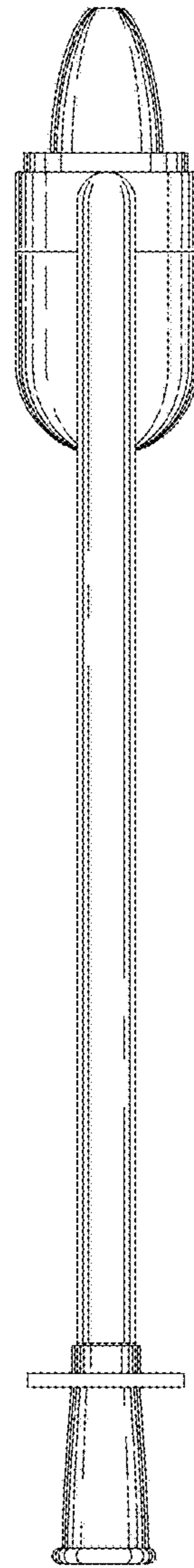


Fig. 3

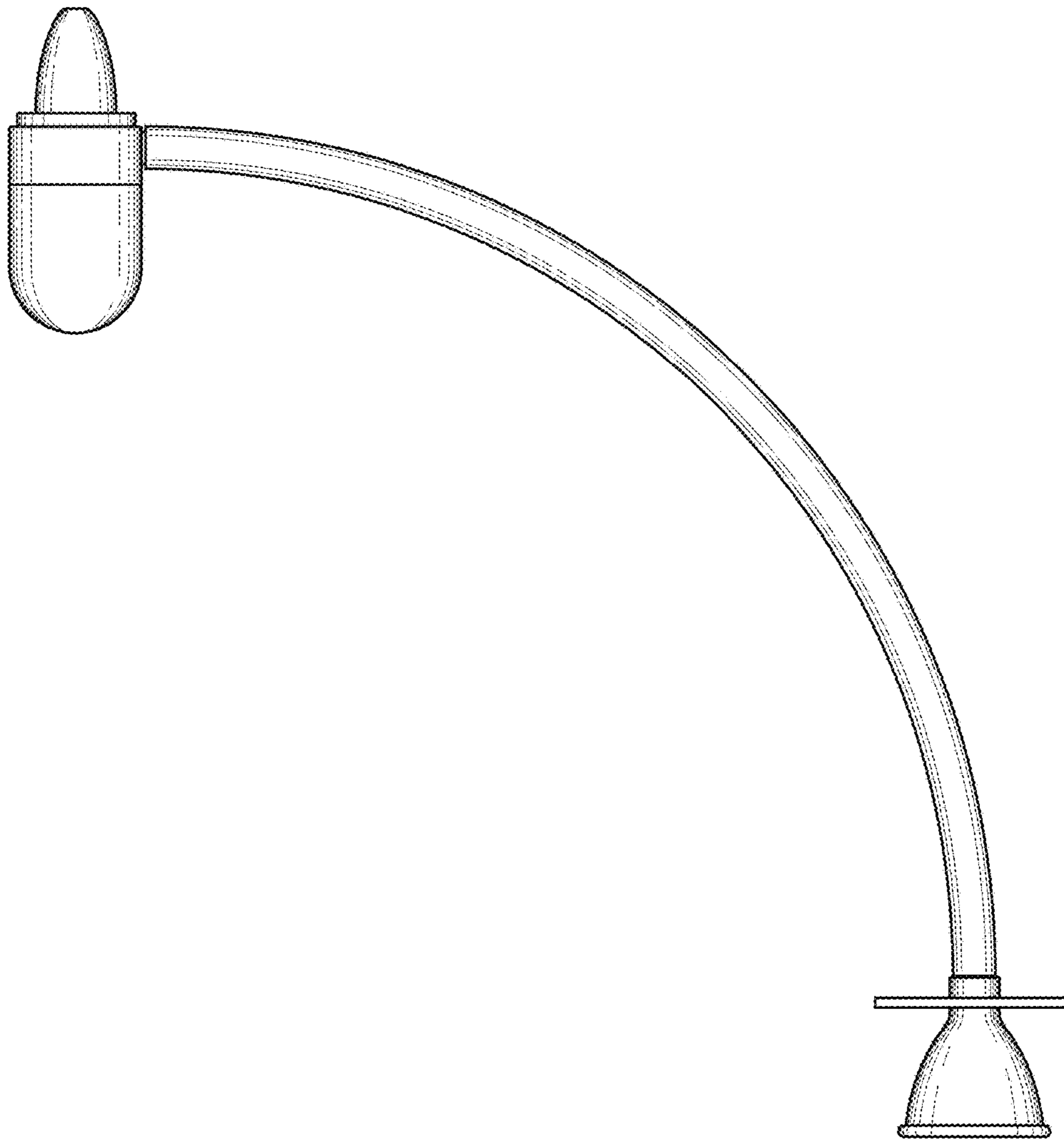


Fig. 4

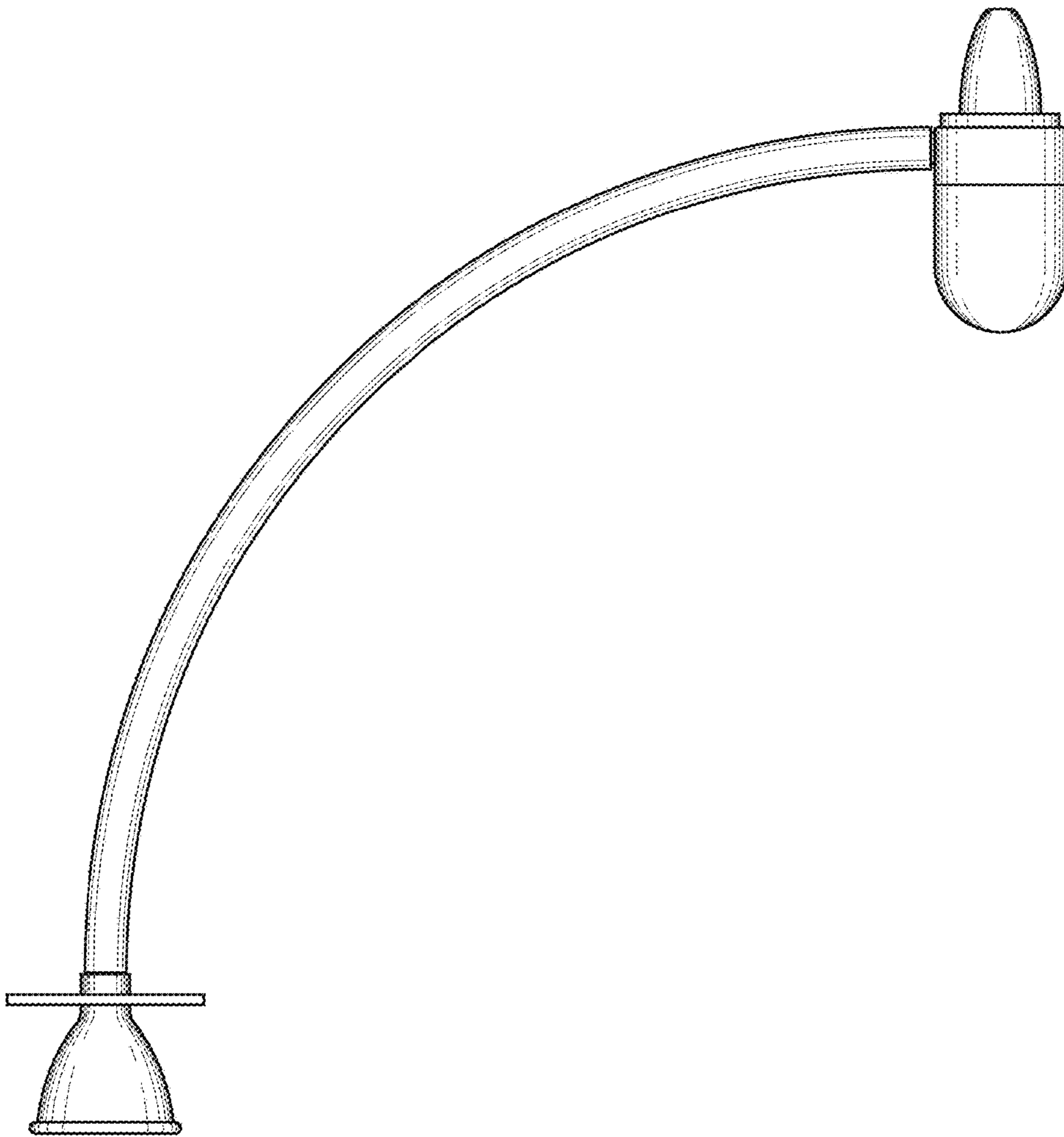


Fig. 5

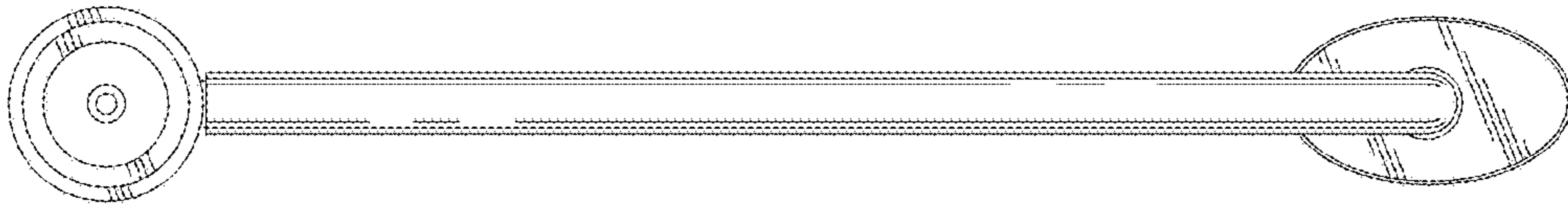


Fig. 6

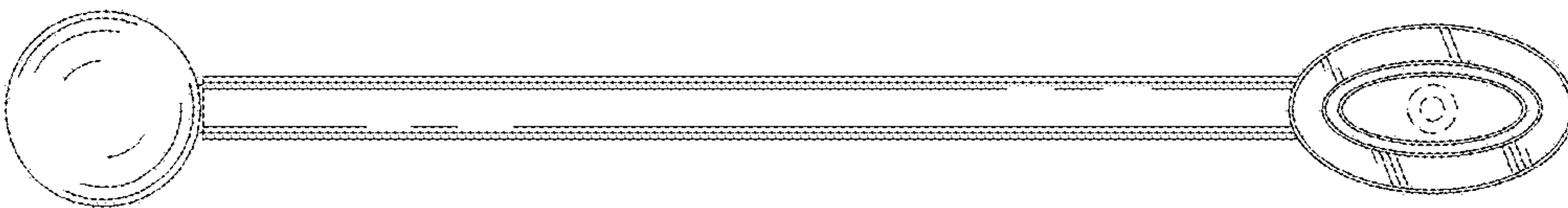


Fig. 7

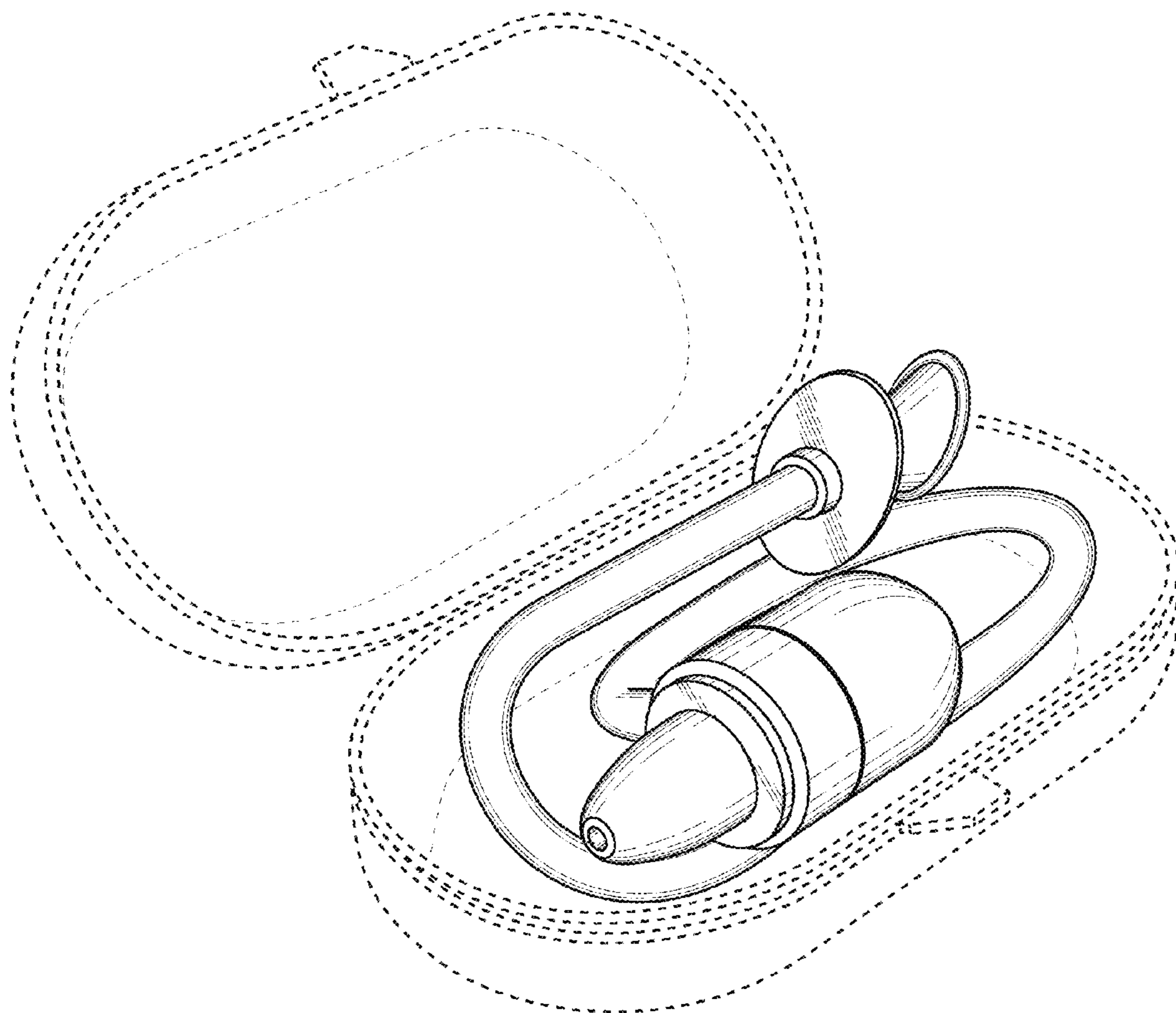


Fig. 8