



US00D808513S

(12) **United States Design Patent**
Gajewski

(10) **Patent No.:** **US D808,513 S**

(45) **Date of Patent:** **** *Jan. 23, 2018**

(54) **CEILING FAN LIGHT**

(71) Applicant: **Minka Lighting, Inc.**, Corona, CA
(US)

(72) Inventor: **Mark Gajewski**, Avila Beach, CA (US)

(73) Assignee: **Minka Lighting, Inc.**, Corona, CA
(US)

(*) Notice: This patent is subject to a terminal disclaimer.

(**) Term: **15 Years**

(21) Appl. No.: **29/593,833**

(22) Filed: **Feb. 13, 2017**

Related U.S. Application Data

(63) Continuation of application No. 29/569,246, filed on Jun. 24, 2016, now Pat. No. Des. 779,093, which is a continuation of application No. 29/553,157, filed on Jan. 28, 2016, now Pat. No. Des. 778,422.

(51) **LOC (11) Cl.** **23-04**

(52) **U.S. Cl.**
USPC **D23/411**; D26/59

(58) **Field of Classification Search**
USPC D23/377, 379, 385, 387, 411-414, 499;
416/1, 5, 170 R, 214 R, 184, 206, 207,
416/210 R, 220 R, 244 R, 248; 392/364;
D26/59, 51, 72, 73, 80-86, 88, 90
CPC F04D 25/088; F04D 29/005; F04D 29/601;
F04D 29/322; F04D 29/324; F04D 29/34;
F21V 33/0096

See application file for complete search history.

(56) **References Cited**

U.S. PATENT DOCUMENTS

D90,062 S 6/1933 Dasher
D90,063 S 6/1933 Dasher

D132,865 S 6/1942 Drollinger
D149,133 S 3/1948 Kisling
D160,391 S 10/1950 Hutcheson
3,833,201 A 9/1974 Dill
D241,615 S 9/1976 King
3,989,226 A 11/1976 Burgess
D251,108 S 2/1979 Desilets
D260,717 S 9/1981 Gusdorf
D295,430 S 4/1988 Smith
D298,454 S 11/1988 Clyde-Mason
4,838,506 A 6/1989 Cooper
D302,324 S 7/1989 Moran et al.
D302,863 S 8/1989 Krol
D318,725 S 7/1991 Jaeger
D331,638 S 12/1992 Vamberszky et al.

(Continued)

Primary Examiner — Susan Bennett Hattan

Assistant Examiner — Marie D. Fast Horse

(74) *Attorney, Agent, or Firm* — Baker & McKenzie LLP

(57)

CLAIM

The ornamental design for a ceiling fan light, as shown and described.

DESCRIPTION

FIG. 1 is a perspective view of a ceiling fan light in accordance with my design;

FIG. 2 is an enlarged perspective view of the ceiling fan light in accordance with my design;

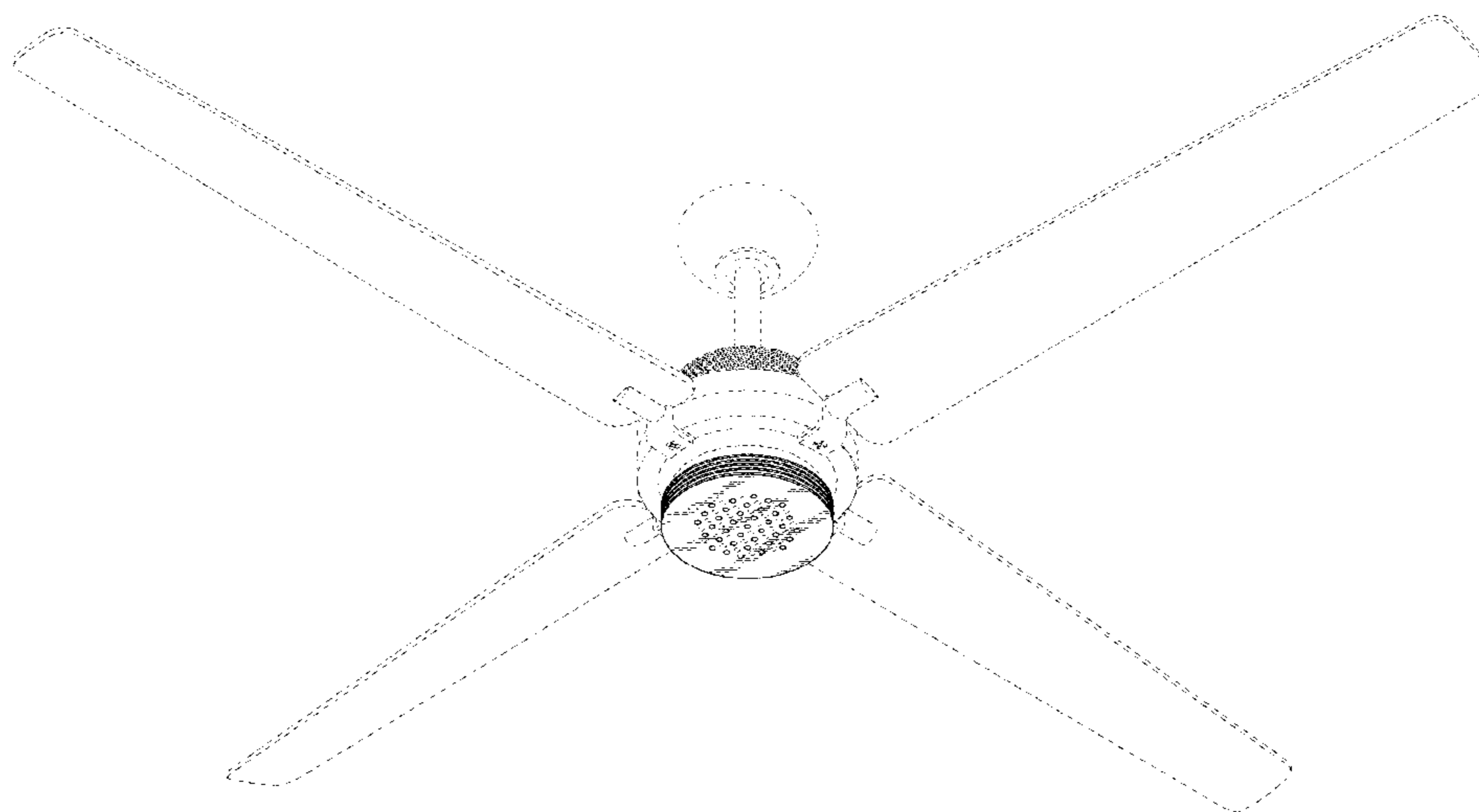
FIG. 3 is an enlarged bottom plan view of the ceiling fan light in accordance with my design;

FIG. 4 is an enlarged front side view of the ceiling fan light in accordance with my design, the rear side being identical thereto; and,

FIG. 5 is an enlarged left-side view of the ceiling fan light in accordance with my design, the opposite side being identical thereto.

The broken-line disclosure of elements is understood to represent portions of the article in which the design is embodied, but which form no part of the claimed design.

1 Claim, 3 Drawing Sheets



(56)

References Cited

U.S. PATENT DOCUMENTS

D345,790 S 4/1994 Caldwell
 D391,657 S 3/1998 Compton
 D295,555 S 5/1998 Greenberg
 D397,482 S 8/1998 Binsukor
 D408,515 S 4/1999 Evans
 5,951,253 A 9/1999 Gajewski
 D421,113 S 2/2000 Zuege
 D434,133 S 11/2000 Johnson
 6,158,964 A 12/2000 Gajewski
 6,171,060 B1 1/2001 Gajewski
 6,209,853 B1 4/2001 Roy et al.
 D449,029 S 10/2001 Hanson et al.
 D488,555 S 4/2004 Huang
 D497,447 S 10/2004 Yoneda
 D530,039 S 10/2006 Blackman
 D541,958 S * 5/2007 Holldorff D26/24
 D556,017 S 11/2007 Hutter, III
 D583,923 S 12/2008 Bucher et al.
 D584,428 S 1/2009 Li et al.
 D589,636 S 3/2009 Pinette
 D594,314 S 6/2009 Hutter, III
 D594,997 S 6/2009 Zhu et al.
 D596,733 S 7/2009 Kihara
 D626,666 S 11/2010 Yamamoto et al.
 D627,053 S 11/2010 Pan
 D627,872 S 11/2010 Pan

D628,312 S 11/2010 Yamamoto et al.
 D628,688 S 12/2010 Pan
 D639,498 S 6/2011 Kawagoe et al.
 D652,133 S 1/2012 Hiner et al.
 D656,813 S 4/2012 Dotsey et al.
 D676,543 S 2/2013 Hiner et al.
 D676,952 S 2/2013 Hiner
 D684,251 S 6/2013 Pan
 D698,914 S 2/2014 Love et al.
 D700,984 S 3/2014 Yang
 D704,819 S 5/2014 Wang
 D707,336 S 6/2014 Pan
 D728,775 S 5/2015 Gajewski
 D730,717 S 6/2015 Moreau et al.
 D739,217 S 9/2015 Wu
 D741,688 S 10/2015 James
 D742,059 S 10/2015 Gettings et al.
 D747,452 S 1/2016 Gajewski
 D752,199 S 3/2016 Berkman et al.
 D762,839 S * 8/2016 Schulzman D23/411
 D778,422 S * 2/2017 Gajewski D23/377
 D779,052 S * 2/2017 Gajewski D23/411
 D779,093 S * 2/2017 Gajewski D26/59
 D780,905 S * 3/2017 Schulzman D23/411
 2003/0185684 A1 10/2003 Thong
 2005/0220623 A1 10/2005 DeLeon
 2006/0024165 A1 2/2006 Gajewski
 2009/0175728 A1 7/2009 DeLeon
 2010/0074754 A1 3/2010 Taya

* cited by examiner

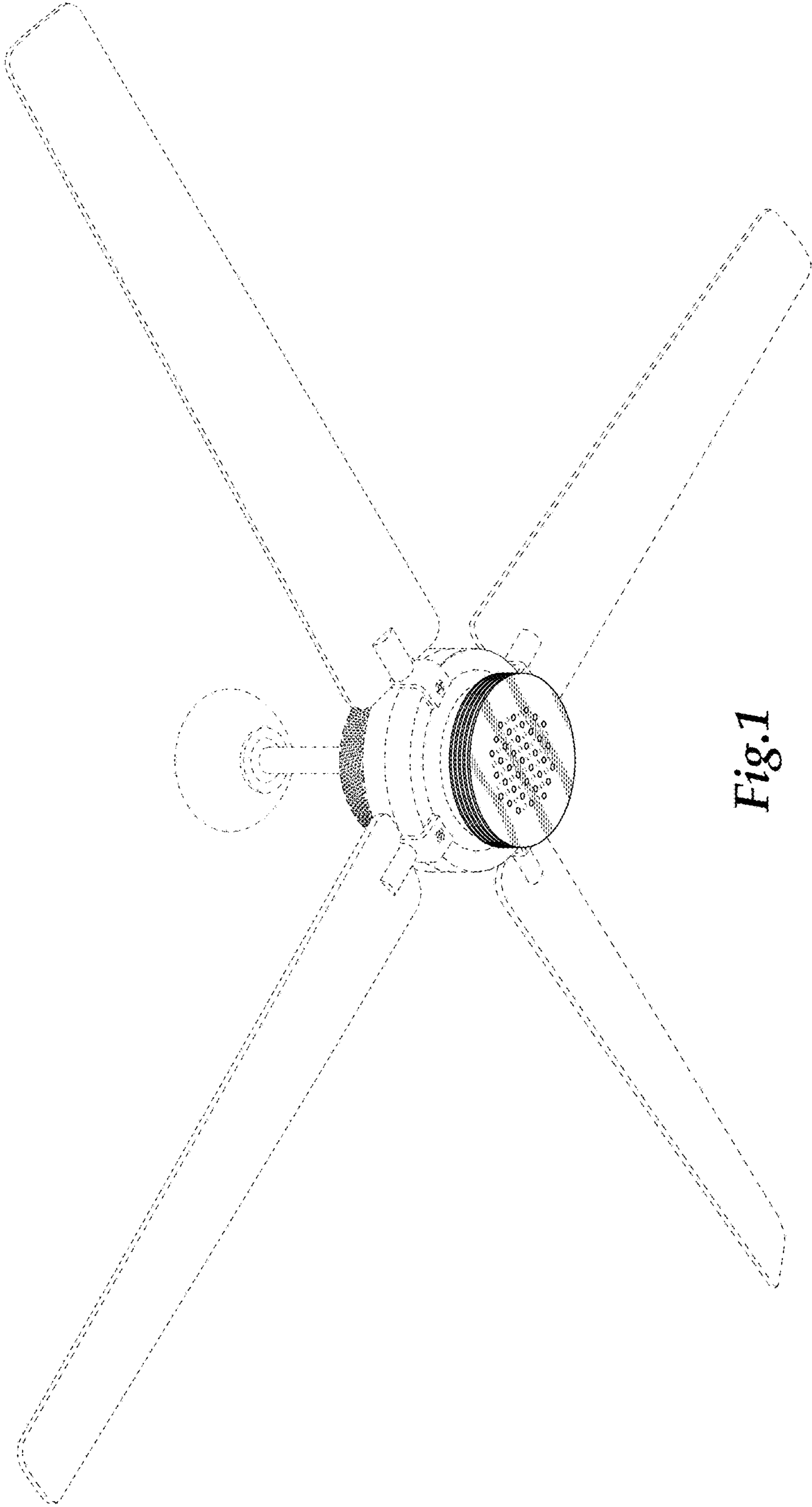
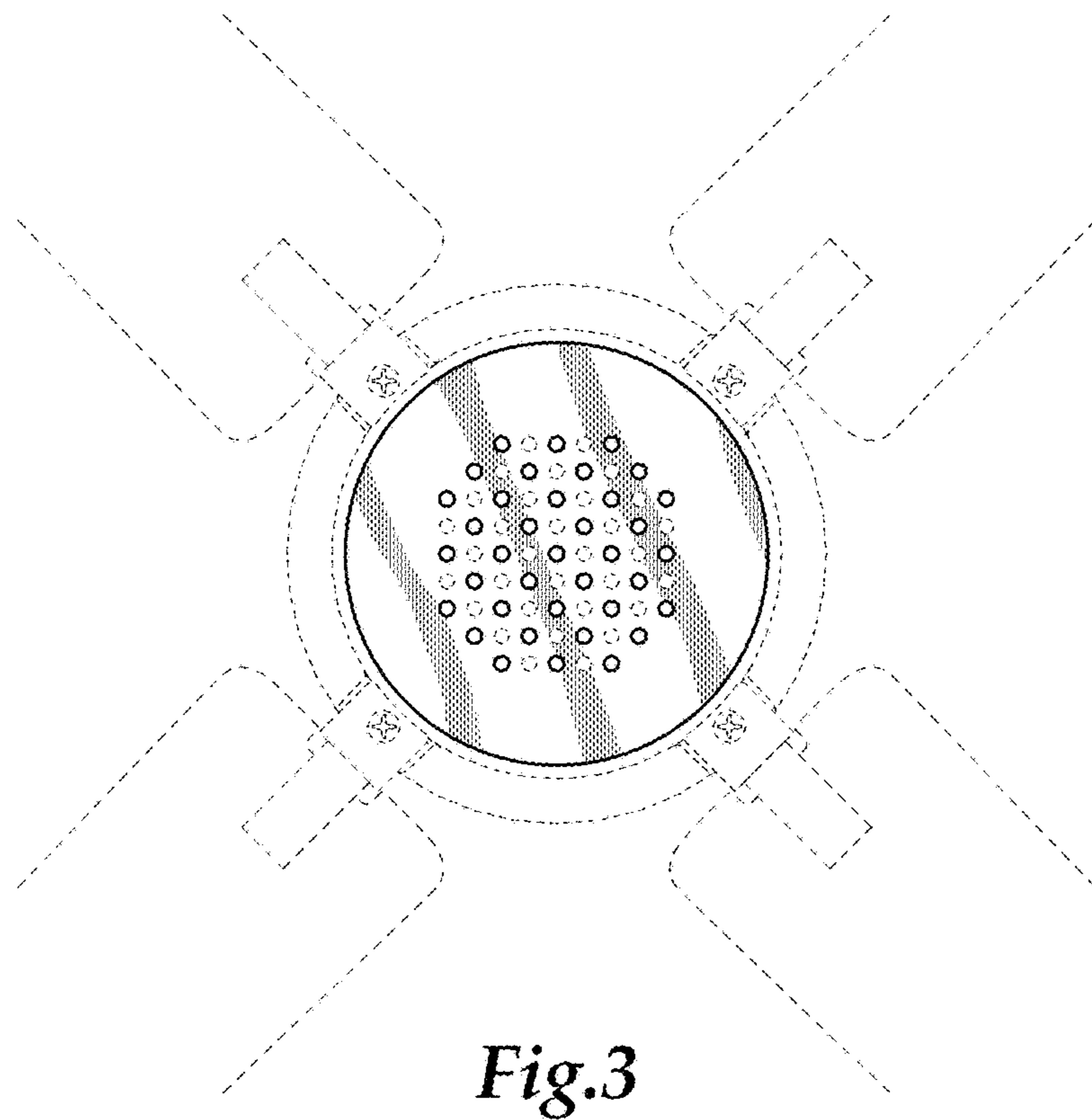
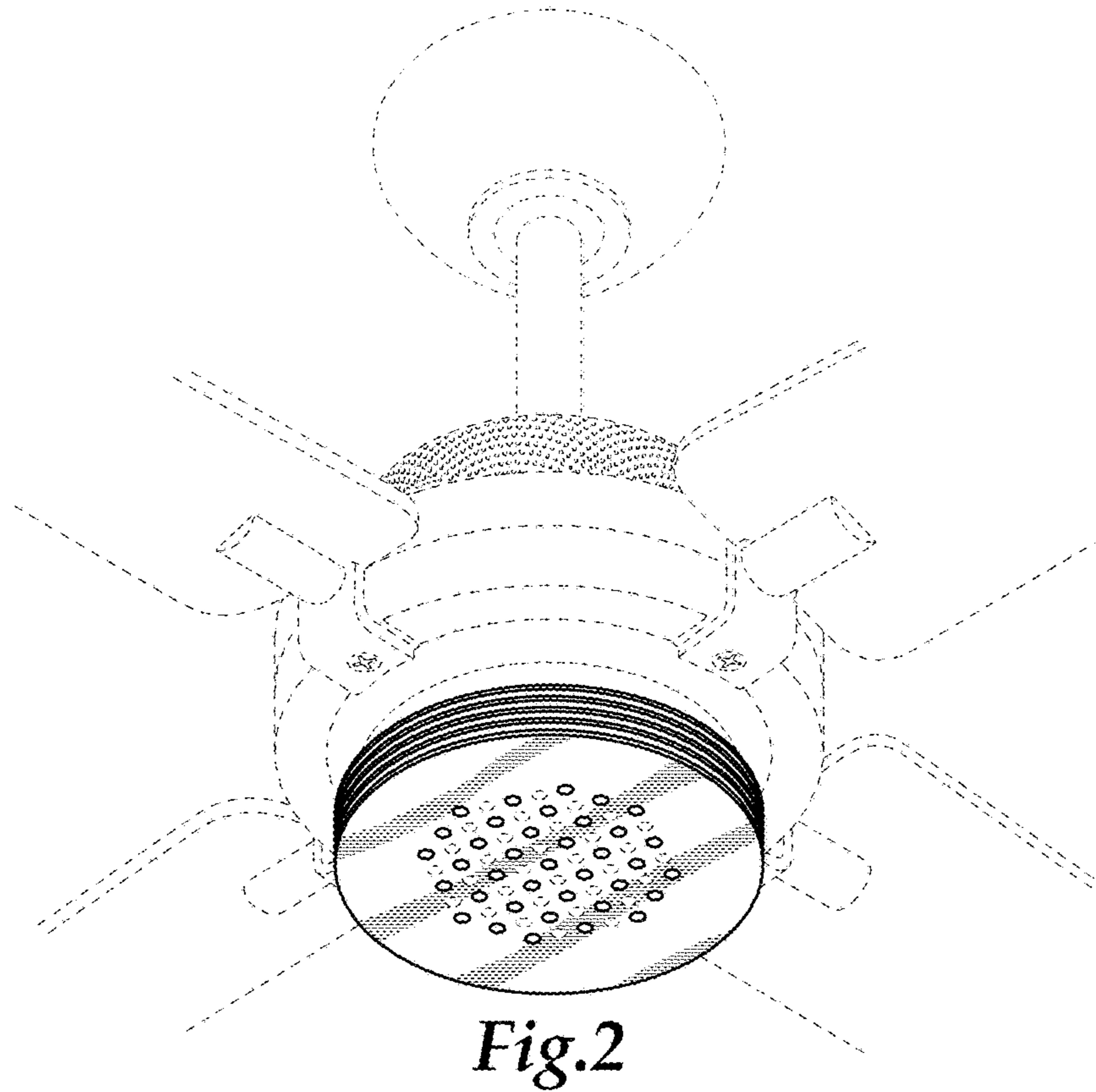


Fig. 1



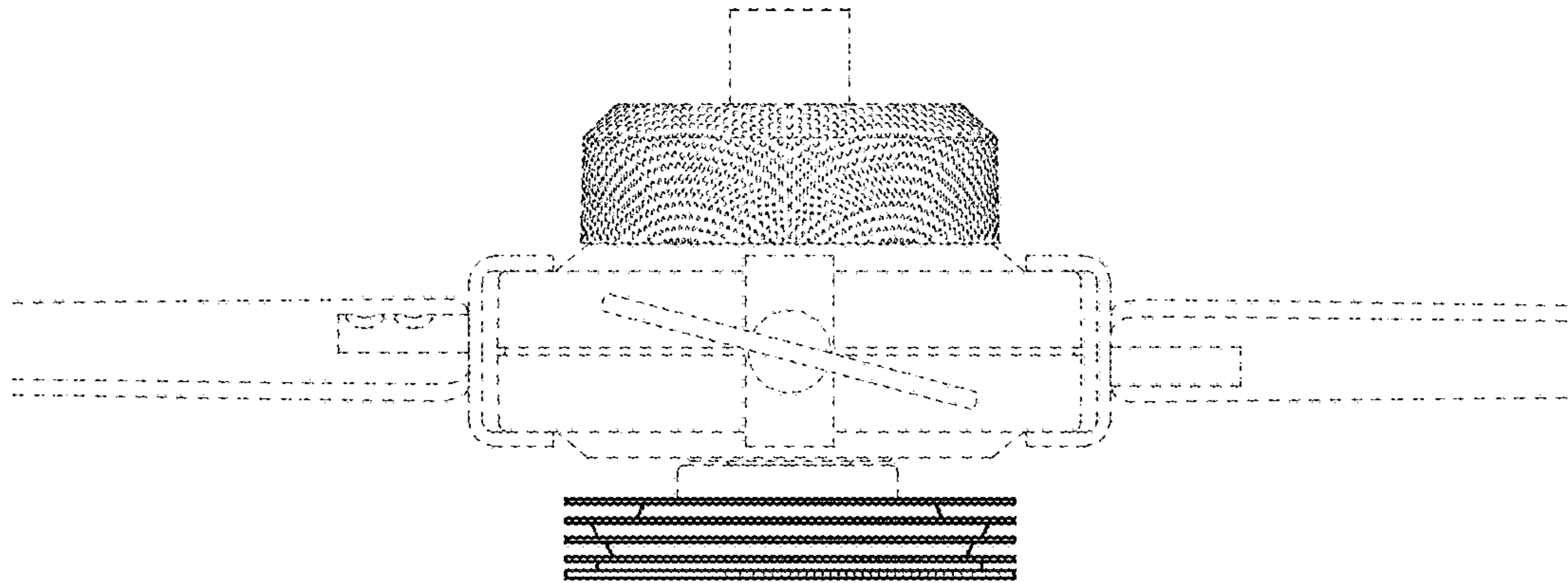


Fig.4

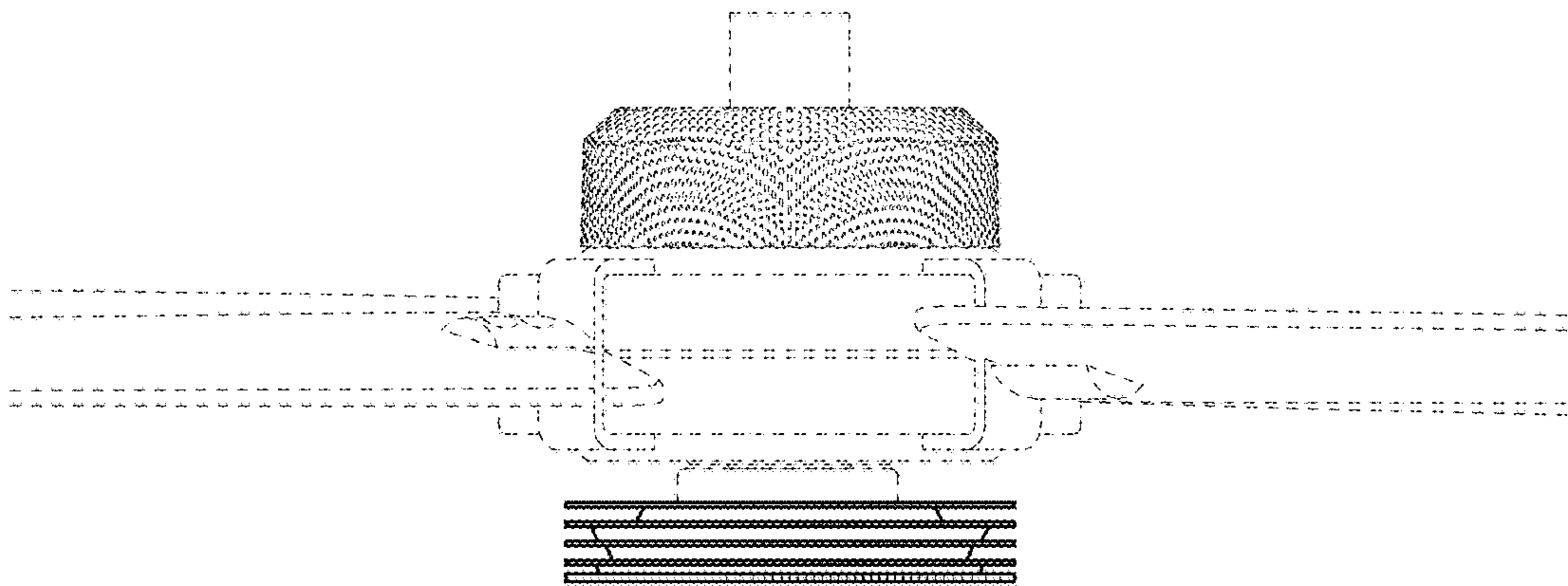


Fig.5