



US00D808512S

(12) **United States Design Patent**  
**Hidalgo**

(10) **Patent No.:** **US D808,512 S**  
(45) **Date of Patent:** **\*\* Jan. 23, 2018**

- (54) **CEILING FAN HOUSING**
- (71) Applicant: **Minka Lighting, Inc.**, Corona, CA  
(US)
- (72) Inventor: **Rolando Hidalgo**, Yorba Linda, CA  
(US)
- (73) Assignee: **Minka Lighting, Inc.**, Corona, CA  
(US)
- (\*\*) Term: **15 Years**
- (21) Appl. No.: **29/586,742**
- (22) Filed: **Dec. 6, 2016**

D481,455 S 10/2003 Young  
 D488,554 S \* 4/2004 Bacon ..... D23/411  
 D492,762 S \* 7/2004 Young ..... D23/377  
 (Continued)

**OTHER PUBLICATIONS**

Minka-Aire F681-BNW Groton 56" Brushed Nickel Wet 5-Blade Ceiling Fan with Handheld Remote Control, first available Mar. 5, 2016, amazon.com, site visited Mar. 24, 2017, Copyright © 1996-2017, Available from Internet, <[https://www.amazon.com/Minka-Aire-F681-BNW-Brushed-5-Blade-Handheld/dp/B01FT4T2VY/ref=sr\\_1\\_1?ie=UTF8&qid=1490362328&sr=8-1&keywords=minka+a.\\*](https://www.amazon.com/Minka-Aire-F681-BNW-Brushed-5-Blade-Handheld/dp/B01FT4T2VY/ref=sr_1_1?ie=UTF8&qid=1490362328&sr=8-1&keywords=minka+a.*)>

(Continued)

*Primary Examiner* — Cathron C Brooks  
*Assistant Examiner* — Sharon S Oum

(74) *Attorney, Agent, or Firm* — Baker & McKenzie LLP

**Related U.S. Application Data**

- (63) Continuation-in-part of application No. 29/552,032, filed on Jan. 19, 2016, now abandoned.
- (51) **LOC (11) Cl.** ..... **23-03**
- (52) **U.S. Cl.**  
USPC ..... **D23/411; D26/59**
- (58) **Field of Classification Search**  
USPC ..... D23/370–385, 411–414; D26/59  
CPC ..... F04D 25/088; F21V 33/0096  
See application file for complete search history.

(57) **CLAIM**

The ornamental design for a ceiling fan housing, as shown and described.

**DESCRIPTION**

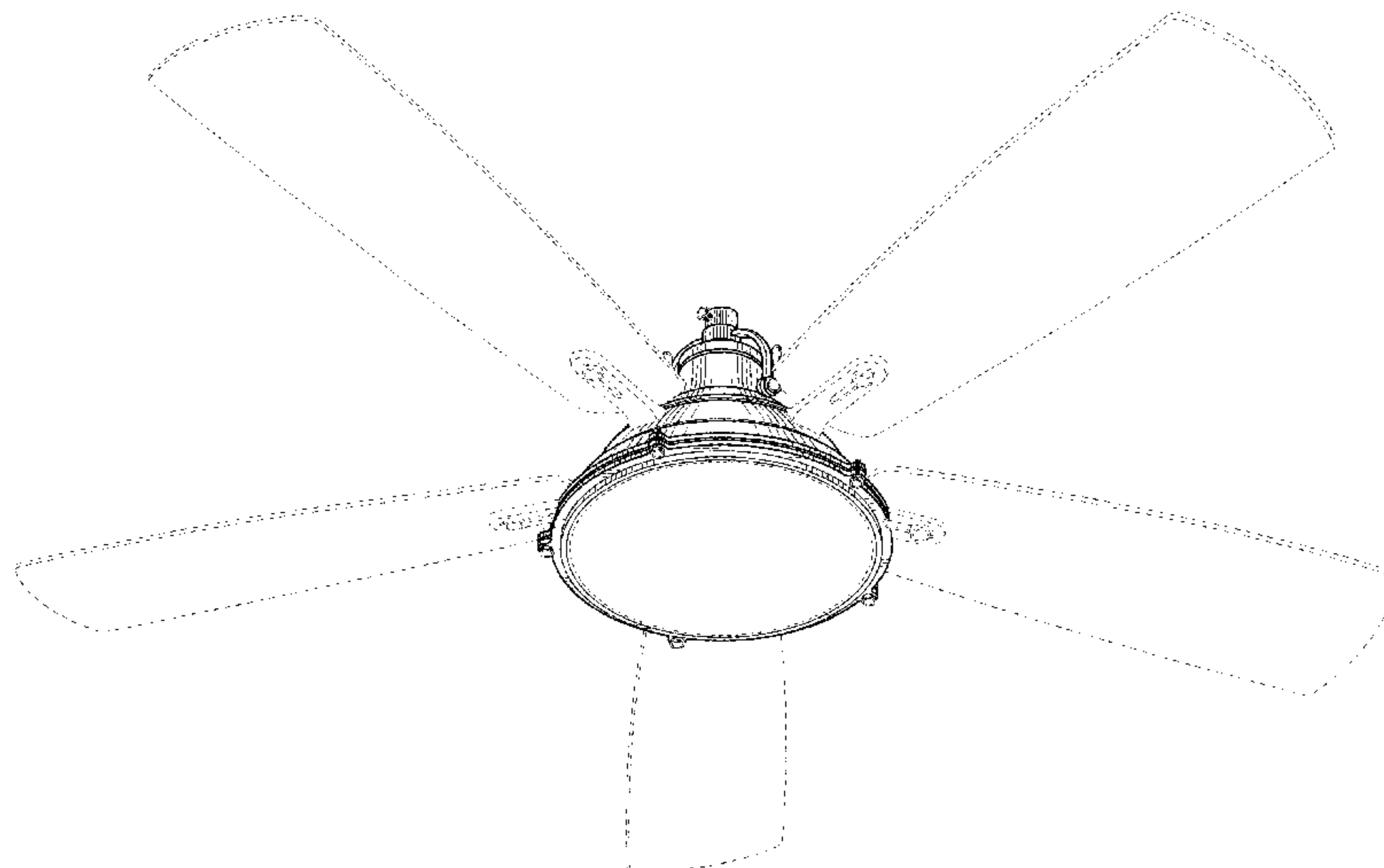
FIG. 1 is a perspective view of a ceiling fan housing in accordance with my design;  
 FIG. 2 is a top plan view of the ceiling fan housing in accordance with my design;  
 FIG. 3 is a bottom plan view of the ceiling fan housing in accordance with my design;  
 FIG. 4 is a left-side elevation view of the ceiling fan housing in accordance with my design;  
 FIG. 5 is a right-side elevation view of the ceiling fan housing in accordance with my design;  
 FIG. 6 is a front elevation view of the ceiling fan housing in accordance with my design; and,  
 FIG. 7 is a rear elevation view of the ceiling fan housing in accordance with my design.  
 The broken lines in the drawings illustrate portions of the ceiling fan that form no part of the claimed design.

(56) **References Cited**

**U.S. PATENT DOCUMENTS**

D328,951 S	8/1992	Scofield et al.	
D374,925 S	10/1996	Jaspers-Fayer	
D377,681 S	1/1997	Jaspers-Fayer	
D448,074 S	9/2001	Bogazzi	
D458,363 S	6/2002	Hidalgo	
D461,553 S	8/2002	Gajewski	
D461,580 S *	8/2002	Hsu	D26/85
D464,164 S *	10/2002	Thompson	D26/89
D476,406 S *	6/2003	Friedes	D23/377
D476,411 S *	6/2003	Friedes	D23/411
D480,797 S	10/2003	Young	
D481,117 S	10/2003	Tsuji	

**1 Claim, 5 Drawing Sheets**





(56)

References Cited

U.S. PATENT DOCUMENTS

D501,250	S	1/2005	Thomas, Jr.	
6,863,499	B2	3/2005	Pearce	
D505,719	S	5/2005	Hidalgo	
D506,004	S	6/2005	Young	
D506,251	S	6/2005	Young	
D506,543	S	6/2005	Young	
D508,124	S	8/2005	Young	
D509,294	S	9/2005	Young	
D510,427	S	10/2005	Hidalgo	
D510,767	S	10/2005	Hidalgo	
D513,531	S	1/2006	Hidalgo	
D516,197	S	2/2006	Young	
D518,567	S	4/2006	Hidalgo	
D518,778	S	4/2006	Wardenburg	
D522,129	S	5/2006	Hidalgo	
D522,133	S	5/2006	Florez	
D522,647	S	6/2006	Pickett	
D525,700	S	7/2006	Ertze	
D528,652	S	9/2006	Hidalgo	
D534,268	S	* 12/2006	Young	D23/377
D551,756	S	9/2007	Ertze	
D572,815	S	7/2008	Hidalgo	
D574,945	S	8/2008	Hidalgo	
D576,339	S	* 9/2008	Porter	D26/80
D581,512	S	11/2008	Hidalgo	
D582,030	S	12/2008	Pickett	
D583,923	S	12/2008	Bucher	
D591,845	S	5/2009	Smith	
D594,541	S	6/2009	Pan	
D594,549	S	6/2009	Pan	
D594,550	S	6/2009	Pan	
D599,469	S	9/2009	Yang	
D603,956	S	11/2009	Curtin	
D613,847	S	4/2010	Shurtleff	
D614,758	S	4/2010	Shurtleff	
D620,099	S	7/2010	Flores	
D627,872	S	11/2010	Pan	
D632,381	S	* 2/2011	Davenport	D23/377
D670,801	S	11/2012	Searle	
D704,324	S	5/2014	Wang	
D705,922	S	5/2014	Wang	
D705,923	S	5/2014	Wang	
D706,917	S	6/2014	Cohen	
D707,347	S	6/2014	Wang	
D707,348	S	6/2014	Pan	
D710,489	S	8/2014	Shurtleff	
D710,988	S	8/2014	Pan	
D744,080	S	11/2015	Wang	
D744,084	S	11/2015	Wang	
D745,960	S	12/2015	Pickett	
D760,368	S	* 6/2016	Chen	D23/377
D770,667	S	* 11/2016	Orozco	D26/135
2009/0238690	A1	* 9/2009	Lai	F04D 25/105 416/100

OTHER PUBLICATIONS

“Kichler 44” Hatteras Bay Patio Ceiling Fan,” [online]. [Retrieved Dec. 5, 2016]. [web.archive.org/web/20130907075940/http://www.kichler.com/products/product/44-inch-hatteras-bay-patio-fan-wcp-310101wcp.aspx](http://www.kichler.com/products/product/44-inch-hatteras-bay-patio-fan-wcp-310101wcp.aspx). Published Sep. 7, 2013.

“Craftmade Dane Ceiling Fan Model,” [online]. [Retrieved Dec. 5, 2016]. [web.archive.org/web/20130424054334/http://www.delmarfans.com/craftmade-ceiling-fans/dane/da30ss3](http://www.delmarfans.com/craftmade-ceiling-fans/dane/da30ss3). Published Apr. 24, 2013.

“Minka Aire Iconic Ceiling Fan,” [online]. [Retrieved Dec. 5, 2016]. [web.archive.org/web/20151008004954/http://www.lumens.com/iconic-ceiling-fan-by-minka-aire-fans-MAFP92249.html](http://www.lumens.com/iconic-ceiling-fan-by-minka-aire-fans-MAFP92249.html). Published Oct. 8, 2015.

“Quorum Vector Ceiling Fan,” [online]. [Retrieved Dec. 5, 2016]. <http://web.archive.org/web/20150909232722/http://www.lumens.com/vector-72-inch-ceiling-fan-by-quorum-international-QRMP95755.html>. Published Sep. 9, 2015.

“Emerson Portland ECO (DC Motor) Ceiling Fan Model,” [online]. [Retrieved Dec. 5, 2016]. [web.archive.org/web/20150601032552/http://www.hansenwholesale.com/ceilingfans/emerson/model.asp?ProdNo=CF965BS](http://www.hansenwholesale.com/ceilingfans/emerson/model.asp?ProdNo=CF965BS). Published Jun. 1, 2015.

“Casablanca Atria Ceiling Fan Model,” [online]. [Retrieved Dec. 5, 2016]. [web.archive.org/web/20100617072106/http://www.hansenwholesale.com/ceilingfans/casablanca/model.asp?ProdNo=C18G500F](http://www.hansenwholesale.com/ceilingfans/casablanca/model.asp?ProdNo=C18G500F). Published Jun. 17, 2010.

“Kichler 52” Carlson Ceiling Fan Model,” [online]. [Retrieved Dec. 5, 2016]. [web.archive.org/web/20130909030405/http://www.kichler.com/products/product/52-inch-carlson-fan-ap-300138ap.aspx](http://www.kichler.com/products/product/52-inch-carlson-fan-ap-300138ap.aspx). Published Sep. 9, 2013.

“Minka Aire Timeless Ceiling Fan,” [online]. [Retrieved Dec. 5, 2016]. [web.archive.org/web/20131106041118/http://www.minkagroup.net/products/f614-dbb](http://www.minkagroup.net/products/f614-dbb). Published Nov. 6, 2013.

“Savoy House St. Simons Ceiling Fan,” [online]. [Retrieved Dec. 5, 2016]. [web.archive.org/web/20131006140417/http://www.savoyhouse.com/St.-Simons-Ceiling-Fan.html](http://www.savoyhouse.com/St.-Simons-Ceiling-Fan.html). Published Oct. 6, 2013.

“Casablanca Custom Casablanca Holliston Ceiling Fan,” [online]. [Retrieved Dec. 5, 2016]. [web.archive.org/web/20150223120159/http://www.casablancafanco.com/ceiling-fans/holliston](http://www.casablancafanco.com/ceiling-fans/holliston). Published Feb. 23, 2015.

“Minka Aire Mojo Ceiling Fan,” [online]. [Retrieved Dec. 5, 2016]. [web.archive.org/web/20140602033252/http://www.lumens.com/moja-ceiling-fan-by-minka-aire-fans-uu499030.html](http://www.lumens.com/moja-ceiling-fan-by-minka-aire-fans-uu499030.html). Published Jun. 2, 2014.

“Vaxel Lighting Valencia Ceiling Fan Model,” [online]. [Retrieved Dec. 5, 2016]. [web.archive.org/web/20150420001722/http://www.homeclick.com/vaxcel-lighting-fn52998sn-valencia-5-blade-ceiling-fan-in-satin-nickel-blades-included/p-571571.aspx](http://www.homeclick.com/vaxcel-lighting-fn52998sn-valencia-5-blade-ceiling-fan-in-satin-nickel-blades-included/p-571571.aspx). Published Apr. 20, 2015.

“Craftmade Copeland Ceiling Fan Model,” [online]. [Retrieved Dec. 5, 2016]. [web.archive.org/web/20140823112003/http://www.delmarfans.com/craftmade-ceiling-fans/copeland/cn52ss5/](http://www.delmarfans.com/craftmade-ceiling-fans/copeland/cn52ss5/). Published Aug. 23, 2014.

“Minka Aire Hilo Ceiling Fan Model,” [online]. [Retrieved Dec. 5, 2016]. [web.archive.org/web/20150906174752/http://www.delmarfans.com/minka-aire-ceiling-fans/hilo/f470-bn/](http://www.delmarfans.com/minka-aire-ceiling-fans/hilo/f470-bn/). Published Sep. 6, 2015.

“Minka Aire Contractor Plus LED Ceiling Fan,” [online]. [Retrieved Dec. 5, 2016]. [web.archive.org/web/20160609160555/http://www.lightology.com/index.php?module=prod\\_detail&prod\\_id=376770](http://www.lightology.com/index.php?module=prod_detail&prod_id=376770). Published Jun. 9, 2016.

“Minka Aire Mojo II Ceiling Fan,” [online]. [Retrieved Dec. 5, 2016]. [web.archive.org/web/20150919131138/http://www.minkagroup.net/products/f533-bn](http://www.minkagroup.net/products/f533-bn). Published Sep. 19, 2015.

“Kichler Rokr Ceiling Fan,” [online]. [Retrieved Dec. 5, 2016]. [web.archive.org/web/20150907063907/http://www.littmanbros.com/kichler-rokr-300179ni-ceiling-fan.html](http://www.littmanbros.com/kichler-rokr-300179ni-ceiling-fan.html). Published Sep. 7, 2015.

“Contractor Uni-Pack LED with LED Light,” MinkaAire 2016 Catalog, pp. 212-213. [online]. [Retrieved Dec. 6, 2016] [web.archive.org/web/20150615000000/http://www.minkagroup.net/ecatalog/minkaaire/index.html](http://www.minkagroup.net/ecatalog/minkaaire/index.html). Published 2016.

“Montecarlo Ken Ceiling Fan Model,” [online]. [Retrieved Dec. 5, 2016]. [web.archive.org/web/20150309001018/http://www.ylighting.com/monte-carlo-fan-company-ken-ceiling-fan.html](http://www.ylighting.com/monte-carlo-fan-company-ken-ceiling-fan.html). Published Mar. 9, 2015.

“Emerson Carrera Bella 52 Ceiling Fan,” [online]. [Retrieved Dec. 5, 2016]. [web.archive.org/web/20160408045122/https://www.fandiego.com/products/emerson-cf442sw-42-bella-in-satin-white](https://www.fandiego.com/products/emerson-cf442sw-42-bella-in-satin-white). Published Apr. 8, 2016.

“Quorum Mercer Ceiling Fan Model,” [online]. [Retrieved Dec. 6, 2016]. [http://web.archive.org/web/20130807043923/http://www.delmarfans.com/quorum-ceiling-fans/mercer/94525-65/](http://www.delmarfans.com/quorum-ceiling-fans/mercer/94525-65/). Published Aug. 7, 2013.

\* cited by examiner

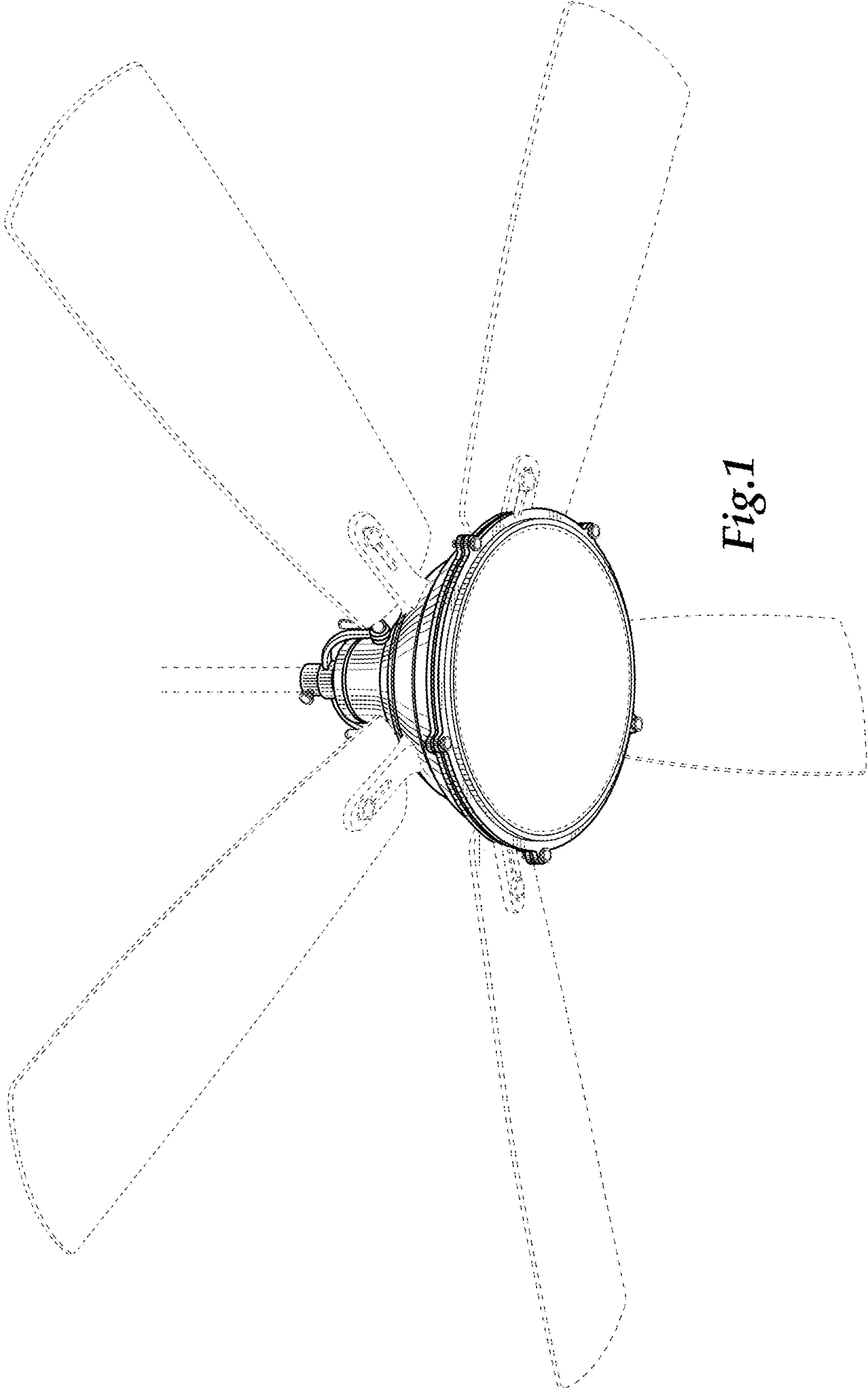
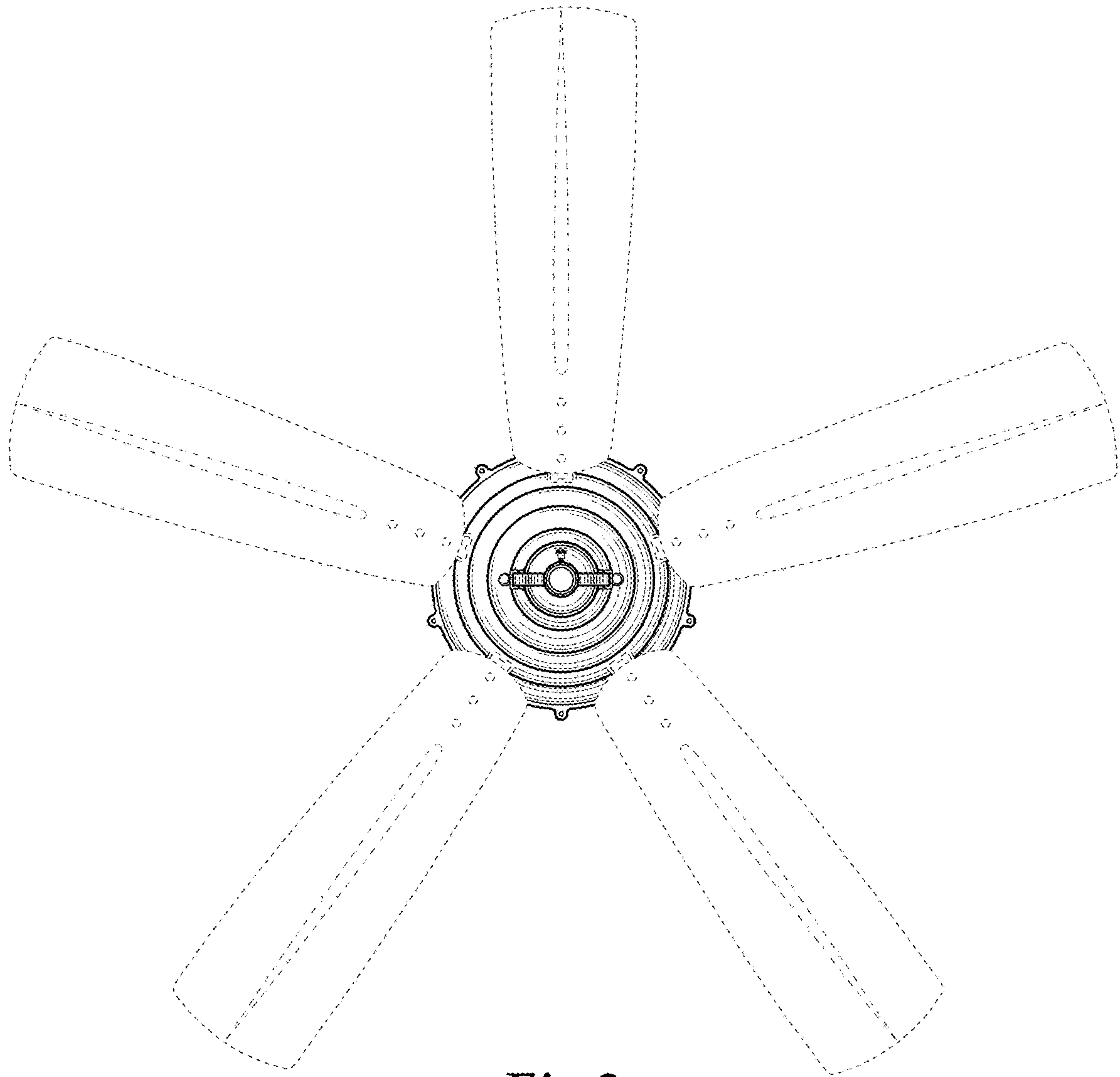
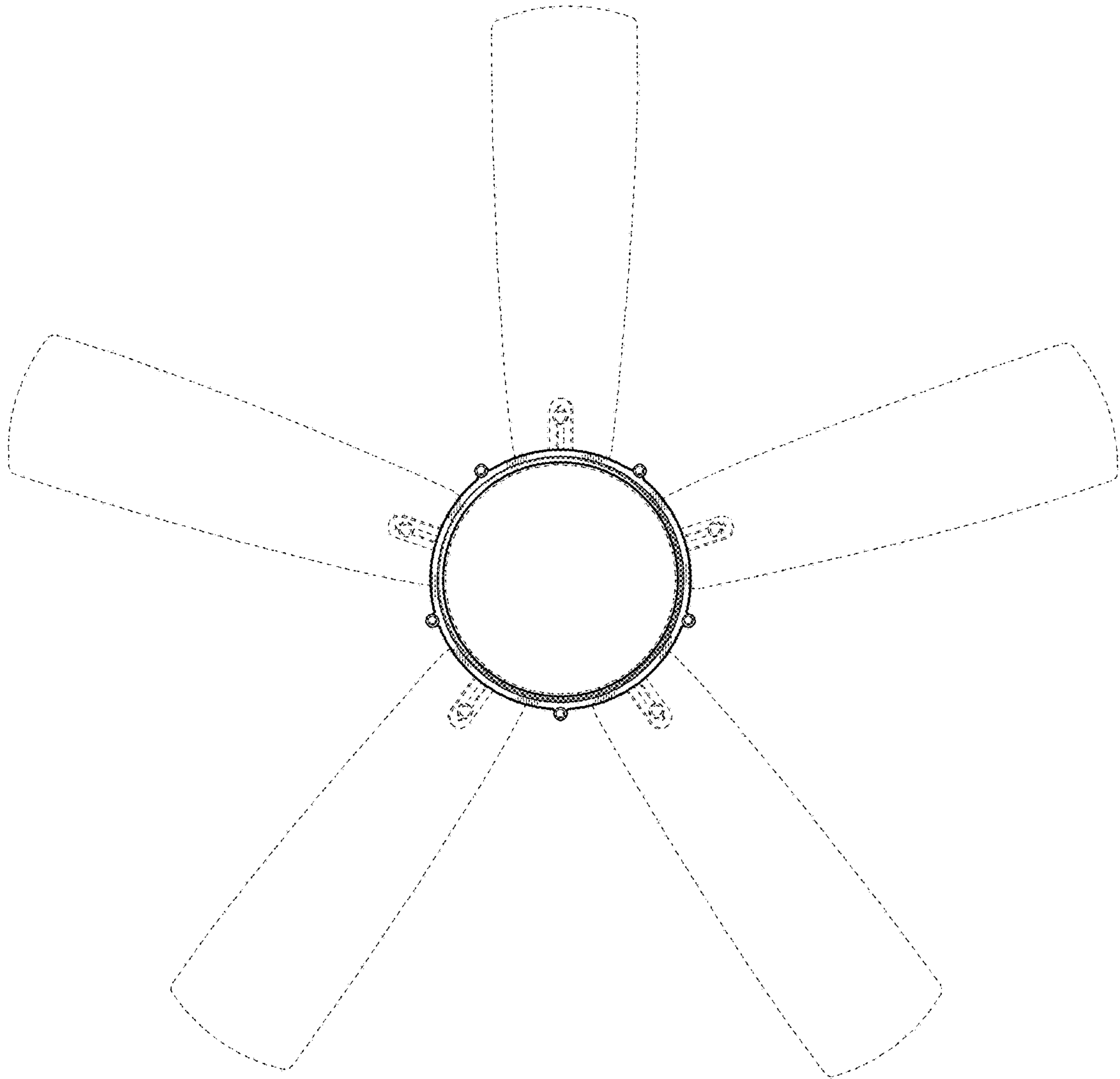


Fig. 1

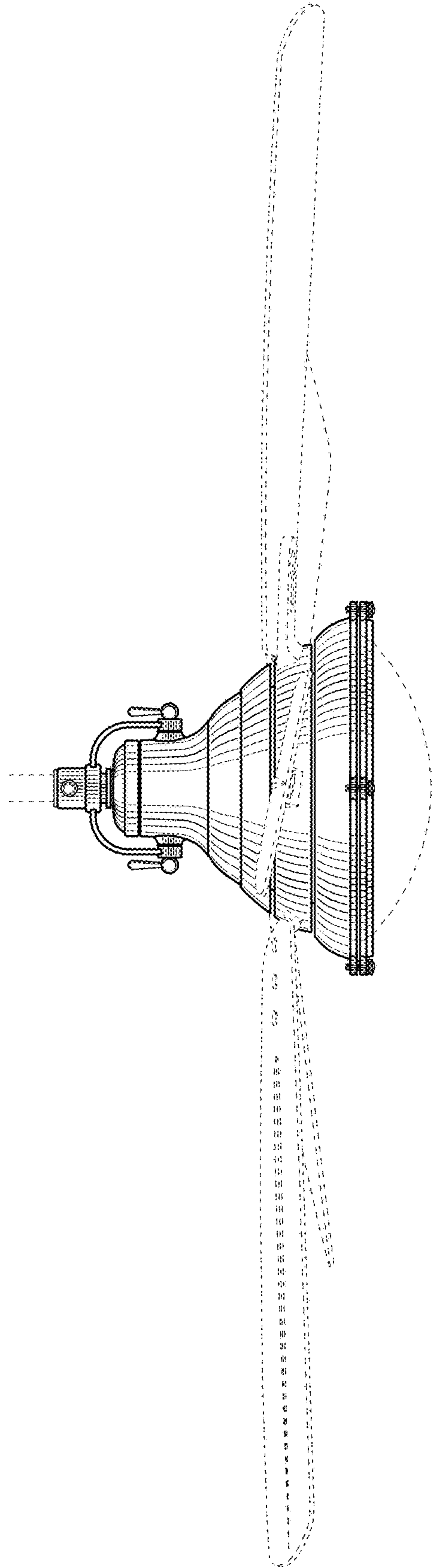


*Fig.2*

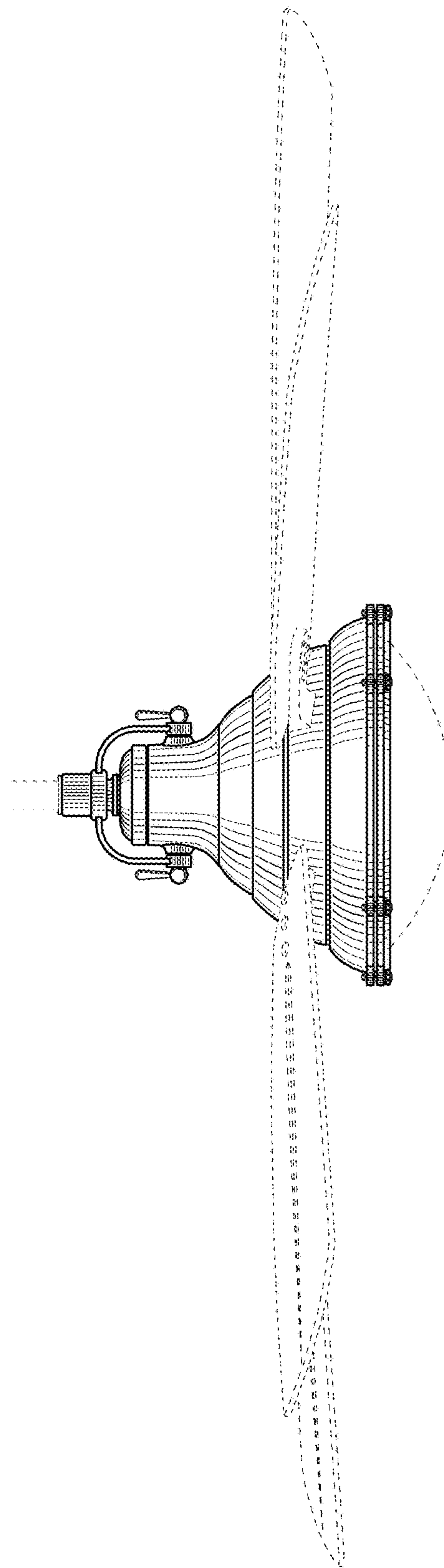




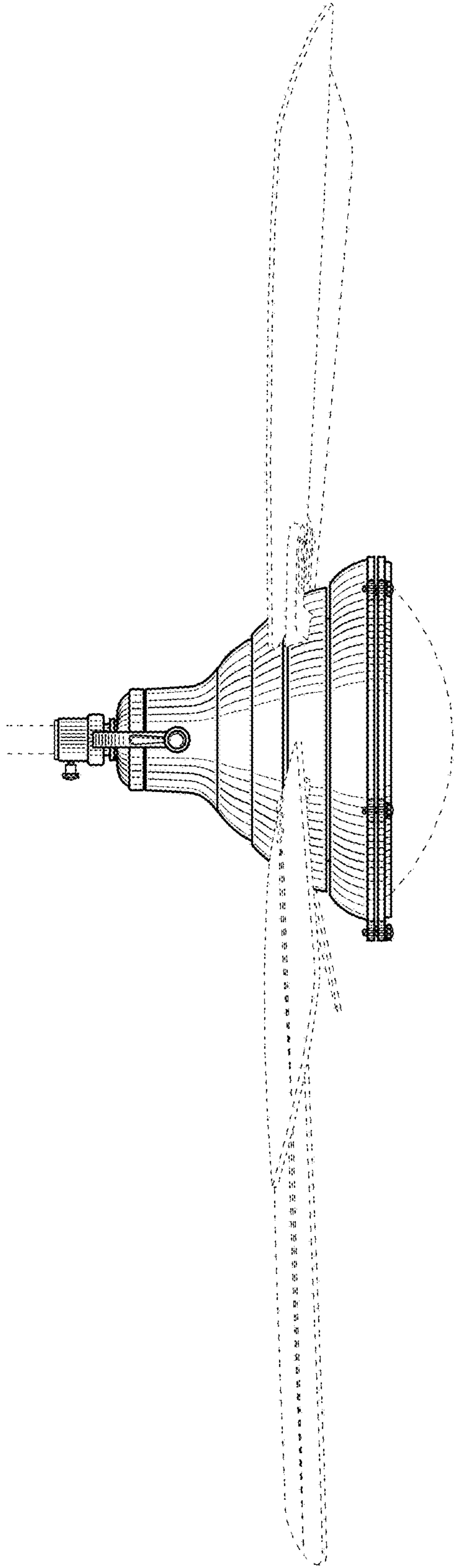
*Fig.3*



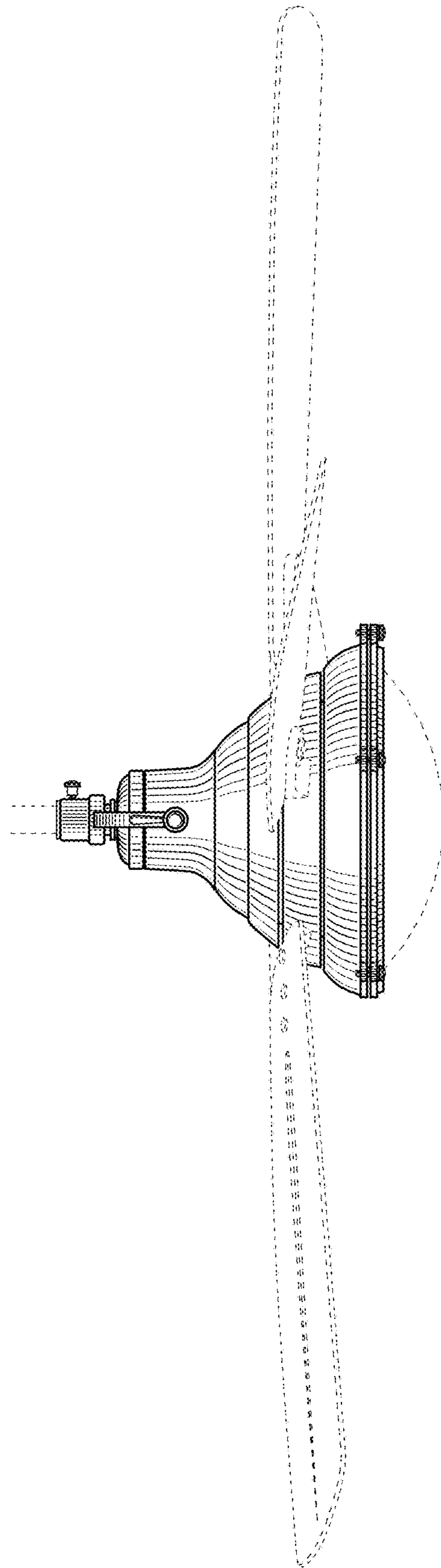
*Fig. 4*



*Fig. 5*



*Fig. 6*



*Fig. 7*