



US00D808507S

(12) **United States Design Patent**
Zou

(10) **Patent No.:** **US D808,507 S**
(45) **Date of Patent:** **** Jan. 23, 2018**

(54) **AROMA DIFFUSER**
(71) Applicant: **Jinshan Zou**, Shenzhen (CN)
(72) Inventor: **Jinshan Zou**, Shenzhen (CN)
(73) Assignee: **SHENZHEN JING XIN TAI HOUSEWARE CO., LTD.**, Shenzhen, Guangdong (CN)

D530,208 S * 10/2006 Danne D9/504
D609,318 S * 2/2010 Lam D23/356
D645,352 S * 9/2011 Bore D9/443
D681,791 S * 5/2013 Jorgensen D23/366
D685,896 S * 7/2013 Niedermann D23/356
D700,692 S * 3/2014 Engelhardt D23/360
D753,279 S * 4/2016 Li D23/366

* cited by examiner

Primary Examiner — Robert M Spear
Assistant Examiner — John Voytek

(**) Term: **15 Years**

(21) Appl. No.: **29/584,583**

(22) Filed: **Nov. 16, 2016**

(51) **LOC (11) Cl.** **23-04**

(52) **U.S. Cl.**
USPC **D23/366**

(58) **Field of Classification Search**
USPC D23/314, 325, 332-336, 342, 351, 352,
D23/355-369, 370, 386-388; D14/168;
D9/500, 503, 504; D7/300.1, 510
CPC Y10T 428/1366; B32B 2597/00; A61M
25/0012; B01D 46/00; B01D 46/0004;
B01D 27/04

See application file for complete search history.

(56) **References Cited**

U.S. PATENT DOCUMENTS

D383,202 S * 9/1997 Meister D23/364
D422,069 S * 3/2000 Decker D23/364

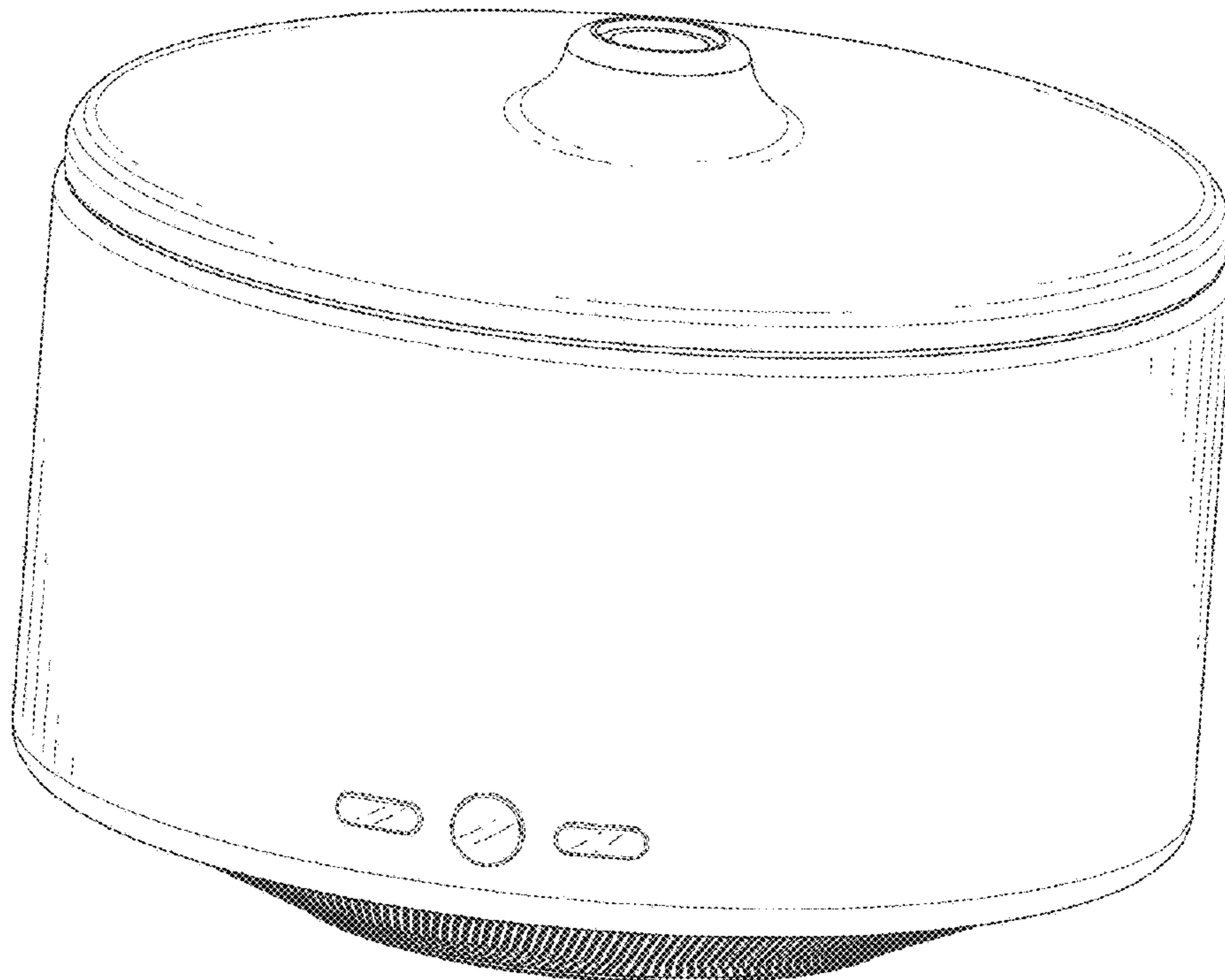
(57) **CLAIM**

I claim the ornamental design for an aroma diffuser, as shown and described.

DESCRIPTION

FIG. 1 is a perspective view of an aroma diffuser showing my new design;
FIG. 2 is a front elevational view thereof;
FIG. 3 is a rear elevational view thereof;
FIG. 4 is a left side elevational view thereof;
FIG. 5 is a right side elevational view thereof;
FIG. 6 is a top plan view thereof; and,
FIG. 7 is a bottom plan view thereof.

1 Claim, 7 Drawing Sheets



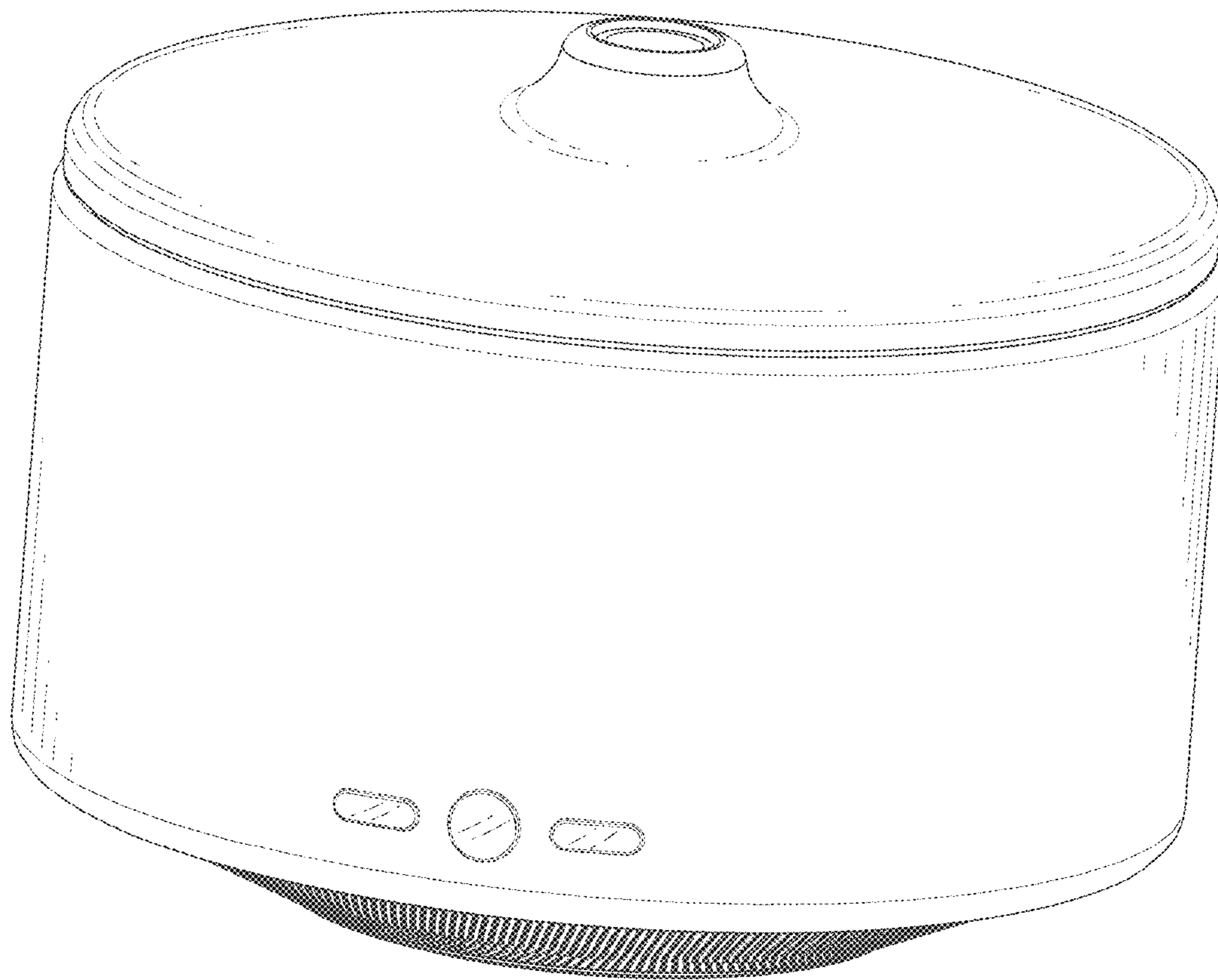


Fig.1

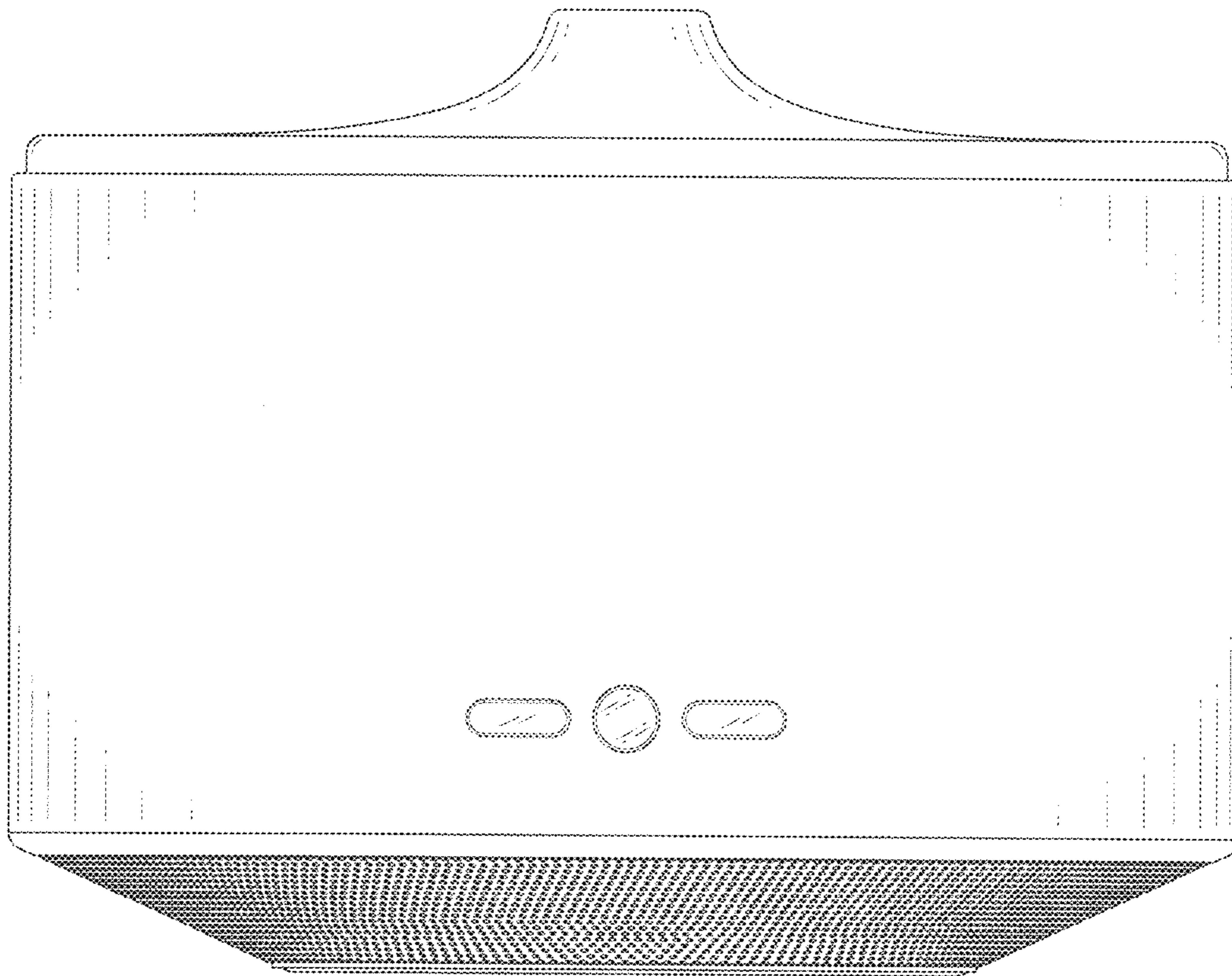


Fig.2

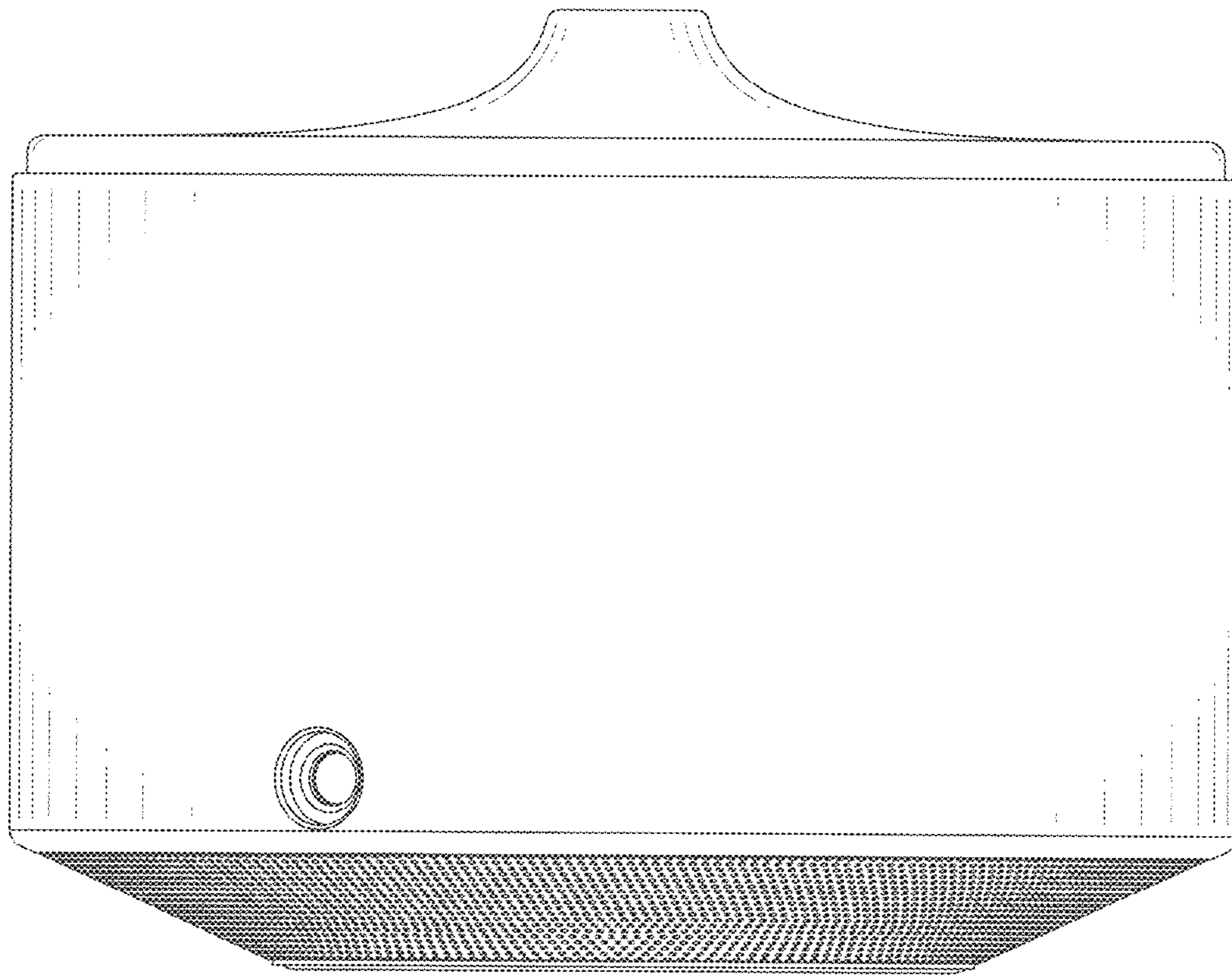


Fig.3

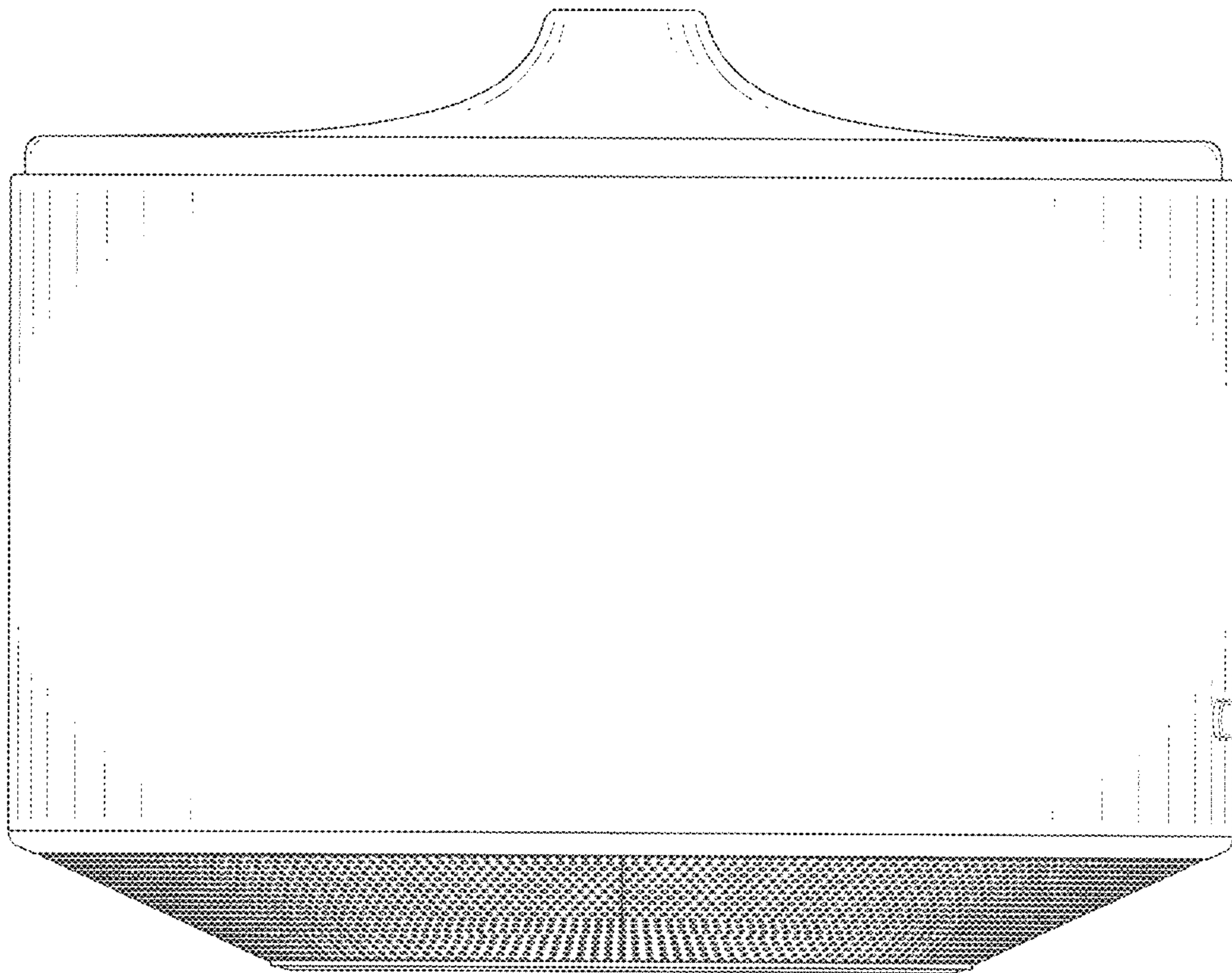


Fig.4

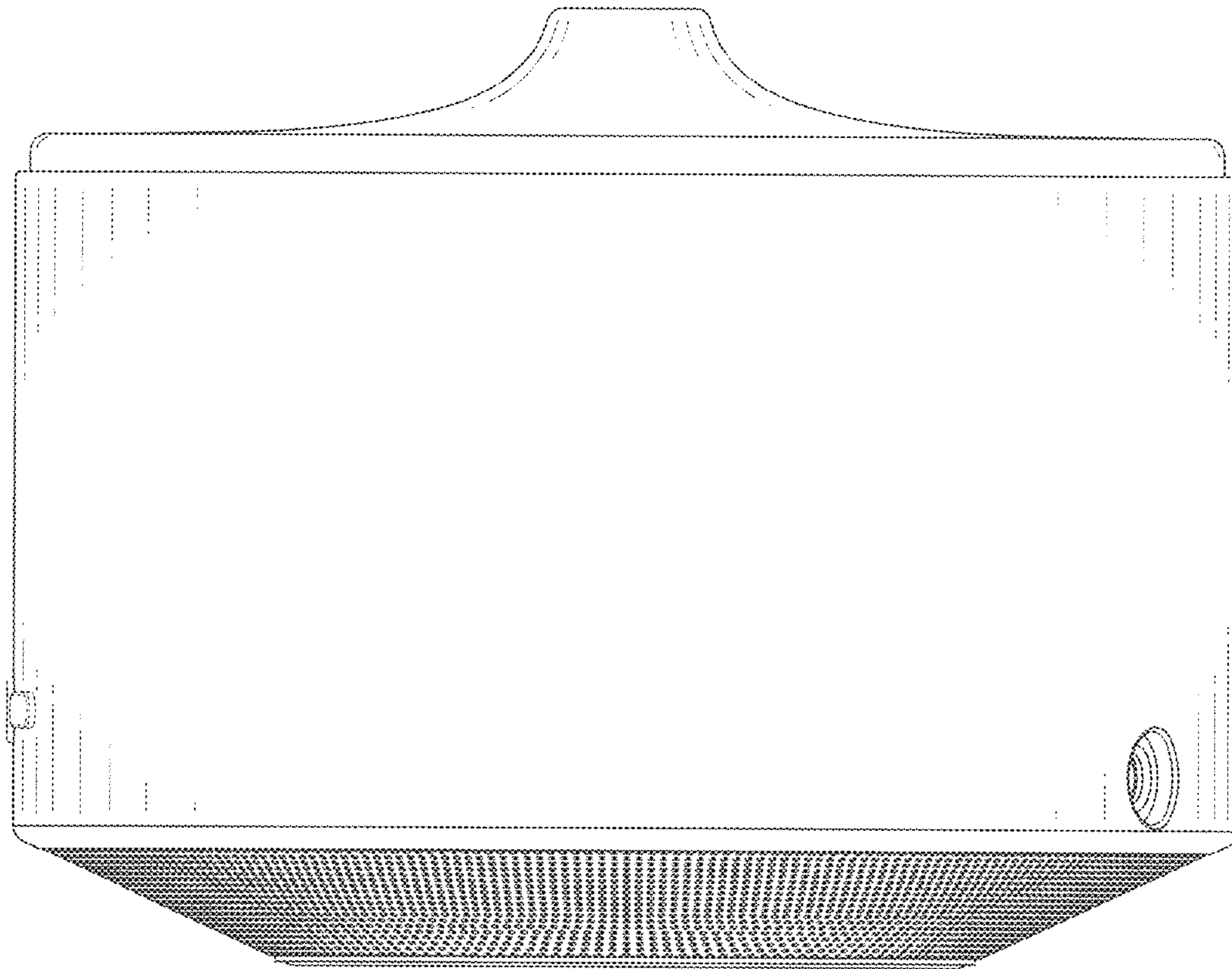


Fig. 5



Fig.6

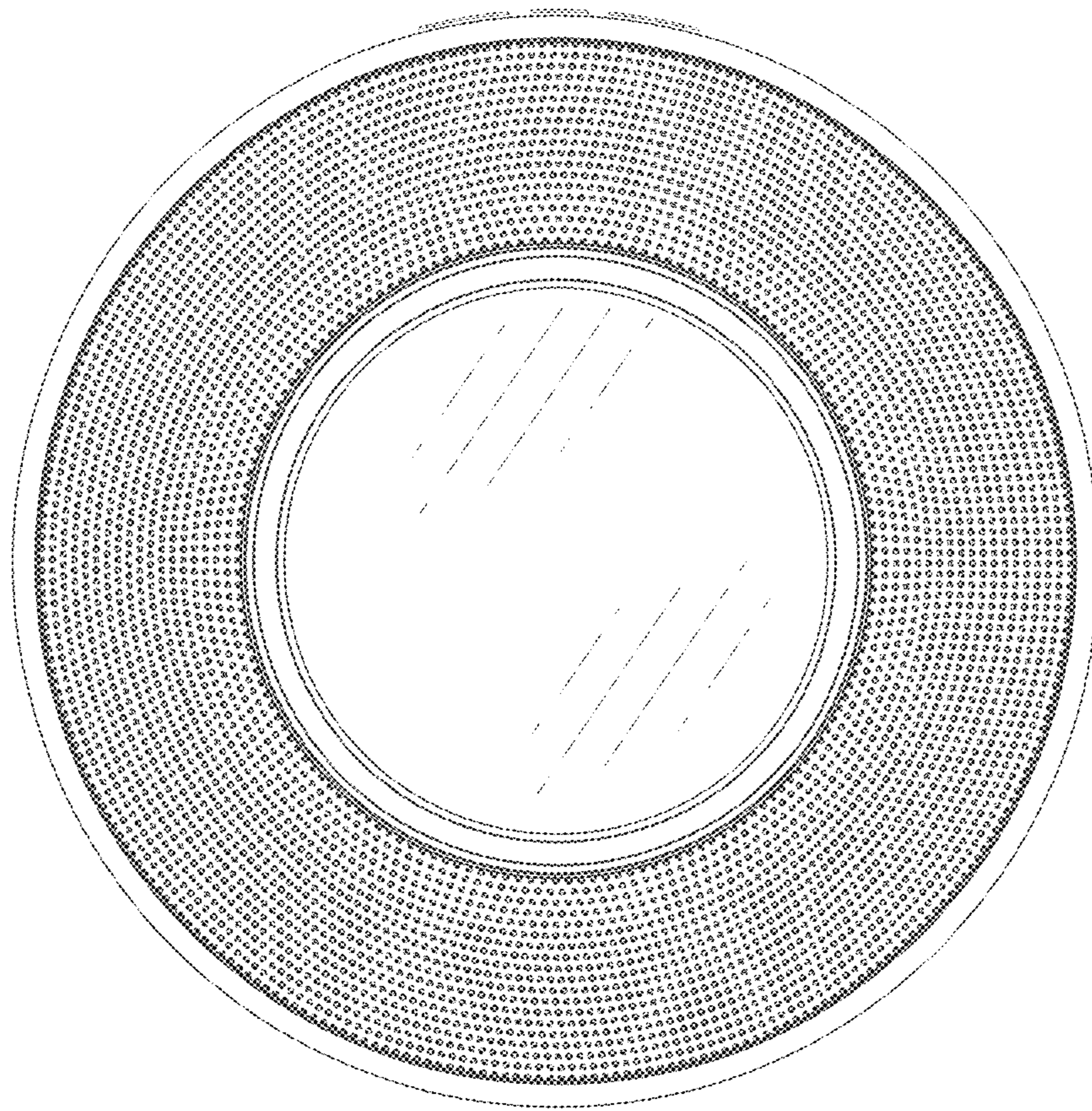


Fig.7