



US00D808505S

(12) **United States Design Patent** (10) **Patent No.:** **US D808,505 S**
Li et al. (45) **Date of Patent:** **** Jan. 23, 2018**

(54) **AIR CONDITIONER**

(56) **References Cited**

(71) Applicants: **GD MIDEA AIR-CONDITIONING EQUIPMENT CO., LTD.**, Foshan (CN); **MIDEA GROUP CO., LTD.**, Foshan (CN)
(72) Inventors: **Sanxin Li**, Foshan (CN); **Yongyi Yang**, Foshan (CN); **Baoyu Li**, Foshan (CN)
(73) Assignees: **GD MIDEA AIR-CONDITIONING EQUIPMENT CO., LT**, Foshan (CN); **MIDEA GROUP CO., LTD.**, Foshan (CN)

U.S. PATENT DOCUMENTS

D565,158 S *	3/2008	Nagahori	D23/351
D699,825 S *	2/2014	Ikeda	D23/351
D720,059 S *	12/2014	Niki	D23/351
D720,060 S *	12/2014	Murai	D23/351
D720,062 S *	12/2014	Guojie	D23/351
D720,445 S *	12/2014	Murai	D23/351
D744,076 S *	11/2015	Xu	D23/351
D760,882 S *	7/2016	Park	D23/351
D761,404 S *	7/2016	Chouji	D23/351
D761,405 S *	7/2016	Chouji	D23/351
D761,406 S *	7/2016	Zhang	D23/351
D763,421 S *	8/2016	Saitou	D23/351

* cited by examiner

Primary Examiner — George D. Kirschbaum

Assistant Examiner — Natasha Vujcic

(74) *Attorney, Agent, or Firm* — HODGSON RUSS LLP

(**) Term: **15 Years**

(21) Appl. No.: **29/538,687**

(22) Filed: **Sep. 6, 2015**

(30) **Foreign Application Priority Data**

Mar. 31, 2015 (CN) 2015 3 0080649
May 27, 2015 (EM) 002707810-0002

(51) **LOC (11) Cl.** **23-04**

(52) **U.S. Cl.**
USPC **D23/351**

(58) **Field of Classification Search**
USPC D23/333, 335, 341, 342, 351, 353–356, D23/359, 364, 365, 370, 385, 386, 388, D23/393
CPC F24F 1/00; F24F 1/0007; F24F 1/02; F24F 1/08; F24F 1/42; F24F 1/56; F24F 1/60; F24F 3/044; F24F 3/048; F24F 3/16; F24F 7/00; F24F 7/04; F24F 12/001; F24F 12/006

See application file for complete search history.

(57) **CLAIM**

The ornamental design for an air conditioner, as shown and described.

DESCRIPTION

FIG. 1 is a perspective view of an air conditioner embodying the inventive ornamental design;

FIG. 2 is a front view thereof;

FIG. 3 is a left side view thereof;

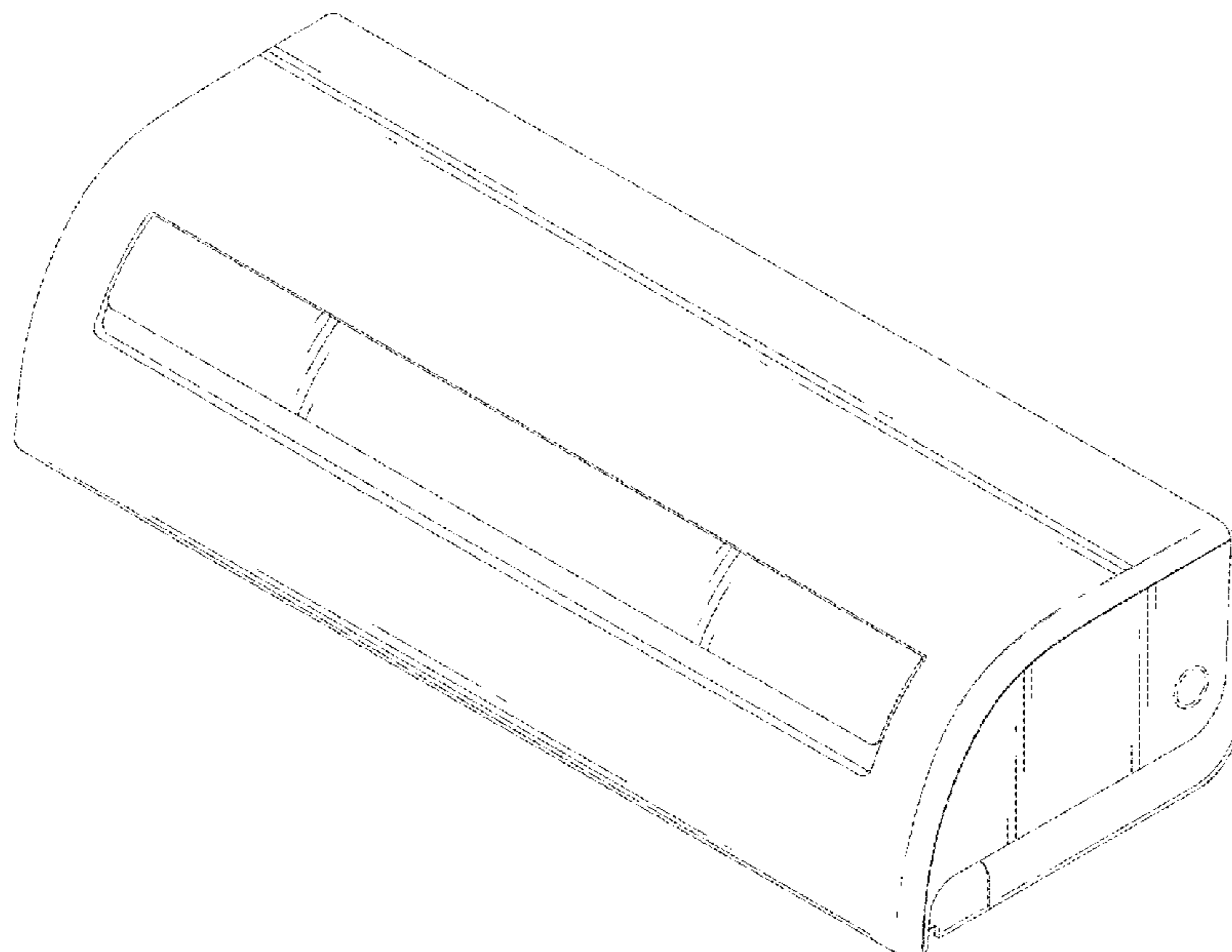
FIG. 4 is a right side view thereof;

FIG. 5 is a top view thereof; and,

FIG. 6 is a bottom view thereof.

The rear view of the air conditioner is omitted as it does not include any claimed features. The broken lines illustrate unclaimed features that form no part of the claimed design.

1 Claim, 4 Drawing Sheets



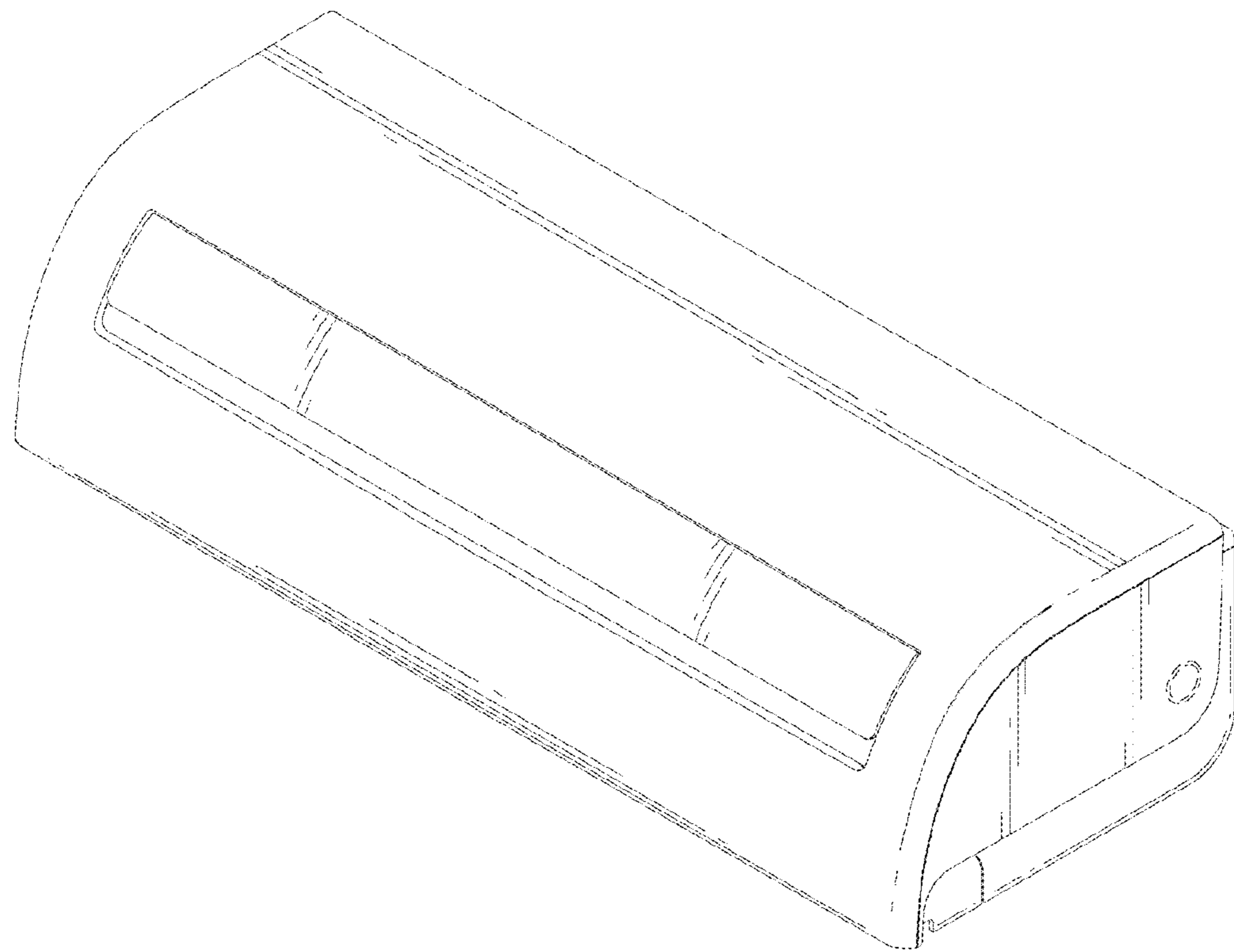


Fig. 1

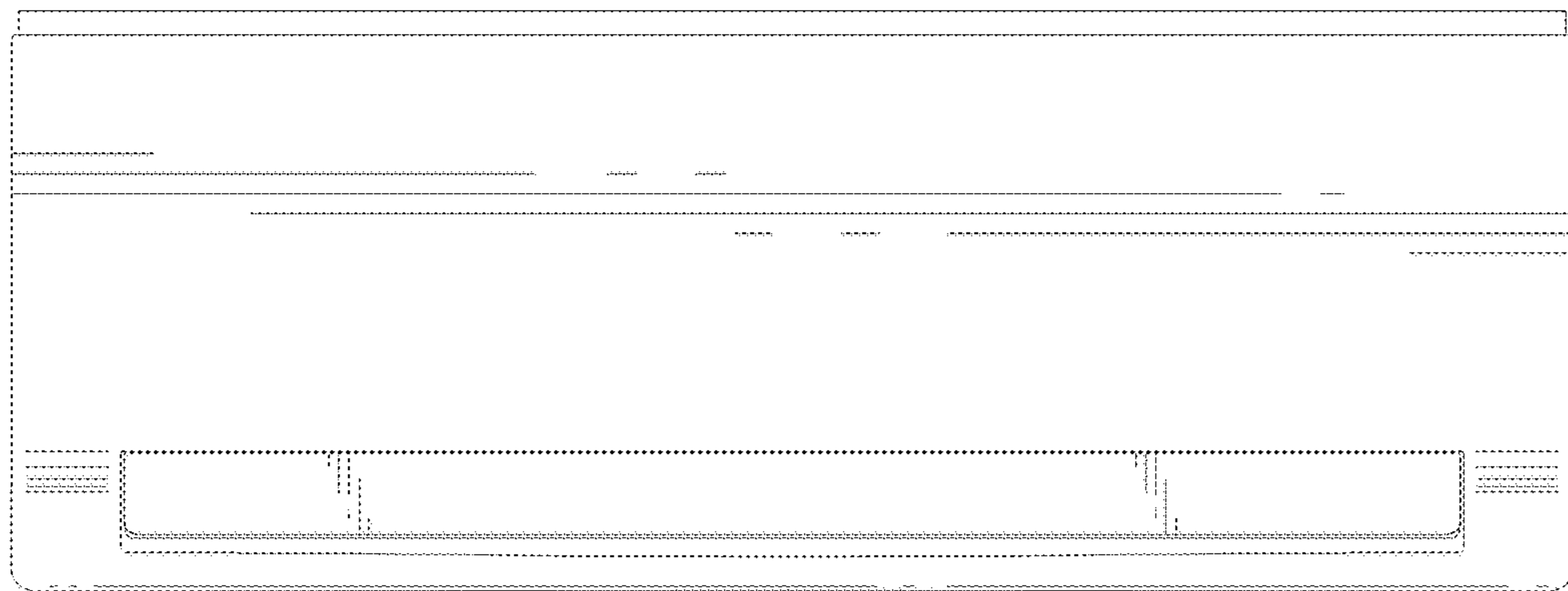


Fig. 2

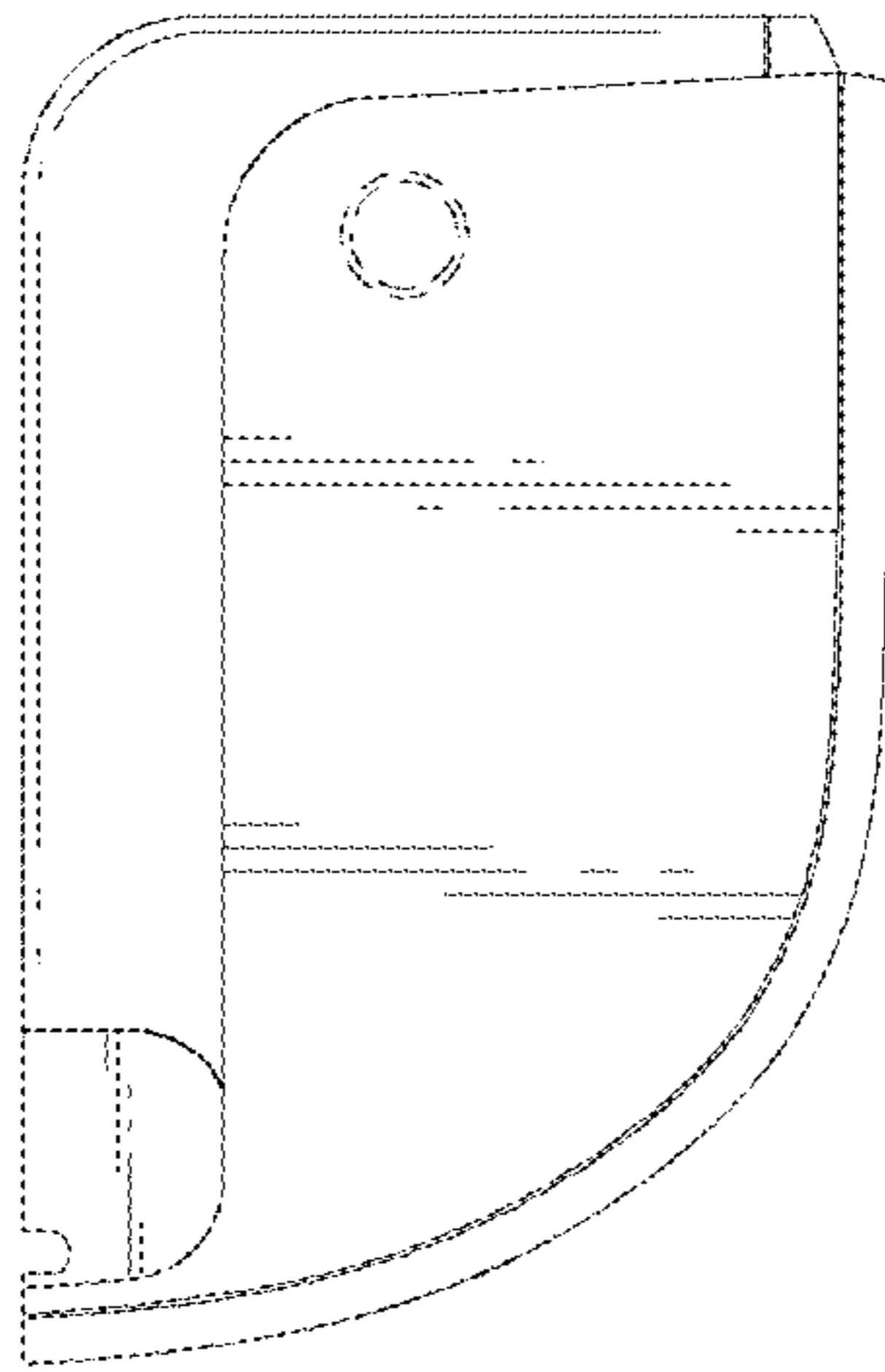


Fig. 3

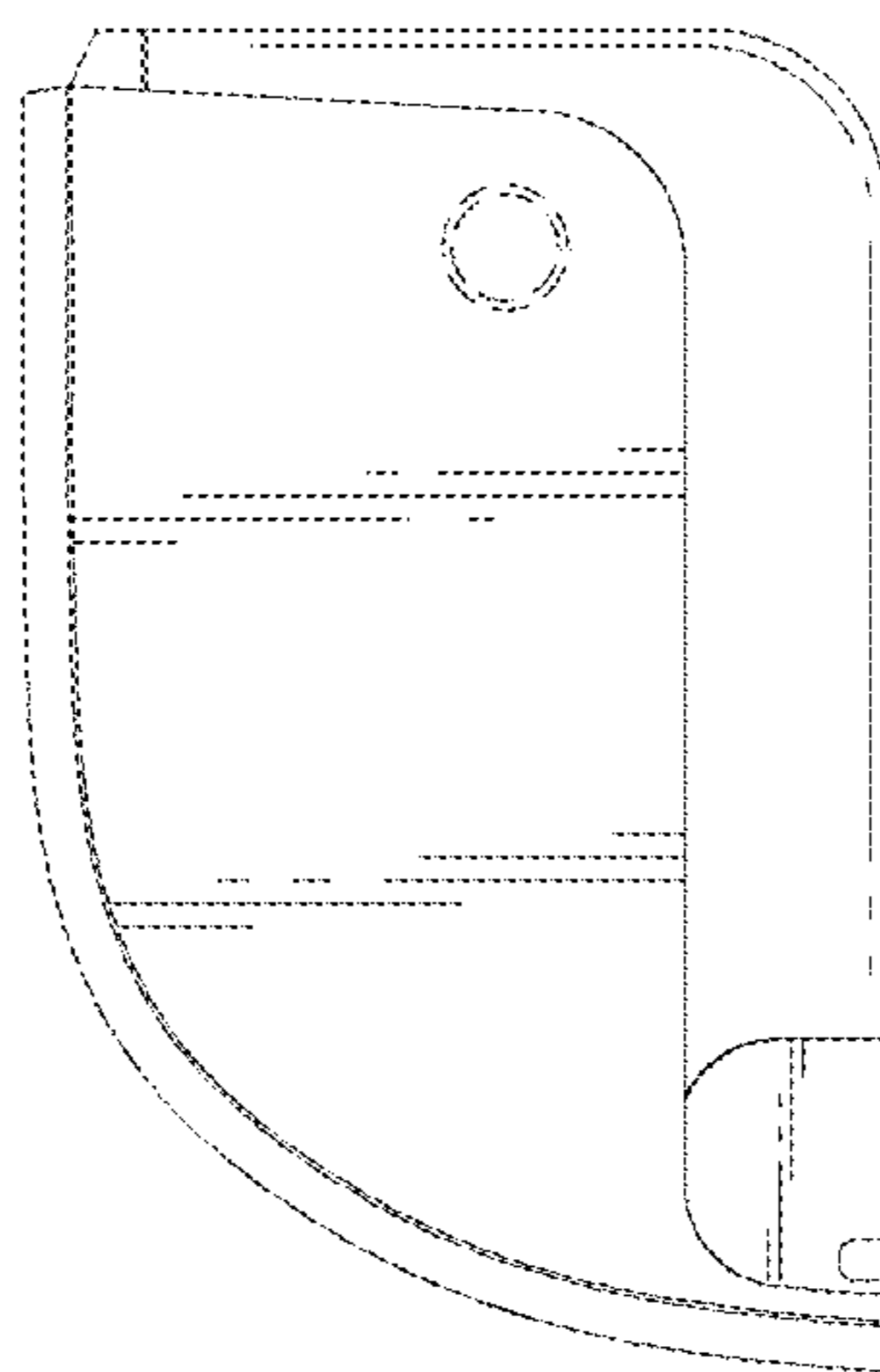


Fig. 4

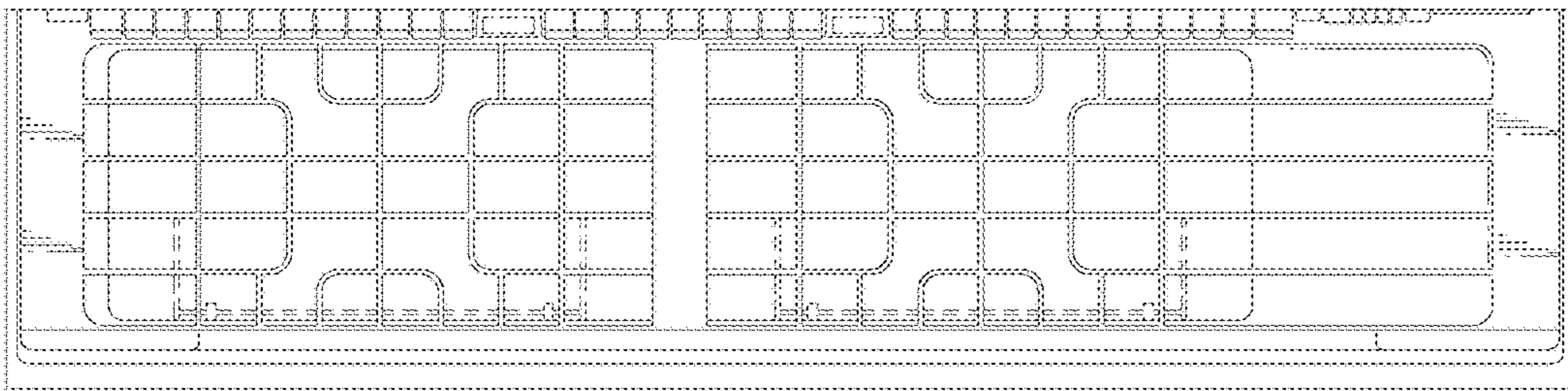


Fig. 5

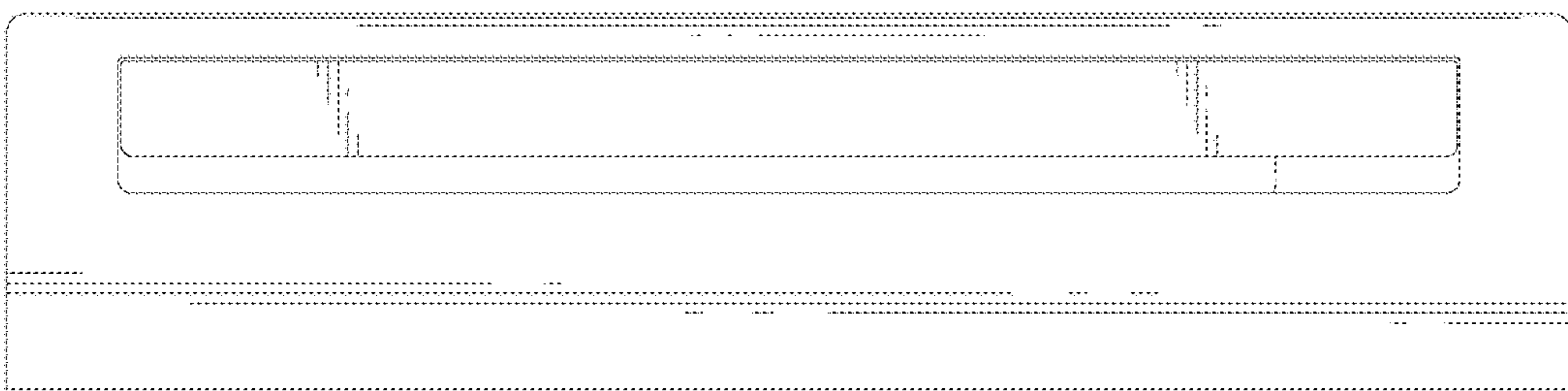


Fig. 6