



US00D808503S

(12) **United States Design Patent**
McAlpine

(10) **Patent No.:** **US D808,503 S**
(45) **Date of Patent:** **** Jan. 23, 2018**

(54) **OVERFLOW COVER WITH PLUG HANDLE FOR A SANITARY APPLIANCE**

(71) Applicant: **McAlpine & Co. Limited**, Glasgow (GB)

(72) Inventor: **Robert G. McAlpine**, Glasgow (GB)

(73) Assignee: **McAlpine & Co. Limited**, Glasgow (GB)

(**) Term: **15 Years**

(21) Appl. No.: **29/554,854**

(22) Filed: **Feb. 16, 2016**

(30) **Foreign Application Priority Data**

Aug. 14, 2015 (EM) 002755009-0001
Aug. 14, 2015 (EM) 002755009-0002
Aug. 14, 2015 (EM) 002755009-0003
Aug. 14, 2015 (EM) 002755009-0004

(51) **LOC (11) Cl.** **23-01**

(52) **U.S. Cl.**
USPC **D23/260**

(58) **Field of Classification Search**
USPC D23/386-387, 206-209, 252, 258-261,
D23/270; 4/286-287, 293, 295, 507;
210/470; 137/296, 312-313
CPC A47K 1/14; E03F 5/0404; E04H 4/14;
E04H 4/1272
See application file for complete search history.

(56) **References Cited**

U.S. PATENT DOCUMENTS

D262,395 S * 12/1981 Fisher D23/207
D303,423 S * 9/1989 Hillebrand D23/252
D311,056 S * 10/1990 Patterson D23/260
D351,220 S * 10/1994 Barnes D23/260

D353,444 S * 12/1994 Merrett D23/260
D412,970 S * 8/1999 Whyte D23/260
D430,652 S * 9/2000 Toit D23/260
6,338,168 B1 * 1/2002 Valentine A47K 1/14
4/286
D602,575 S * 10/2009 Breda D23/261
D720,447 S * 12/2014 Korda F16N 31/002
D23/386
D792,962 S * 7/2017 Honeyball D23/386

(Continued)

FOREIGN PATENT DOCUMENTS

DE 102004062634 B3 4/2006
DE 102005059126 A1 9/2006
EM 0446177 A1 9/1991

(Continued)

Primary Examiner — Eric L Goodman

Assistant Examiner — Amy C Wierenga

(74) *Attorney, Agent, or Firm* — Dinsmore & Shohl LLP

(57) **CLAIM**

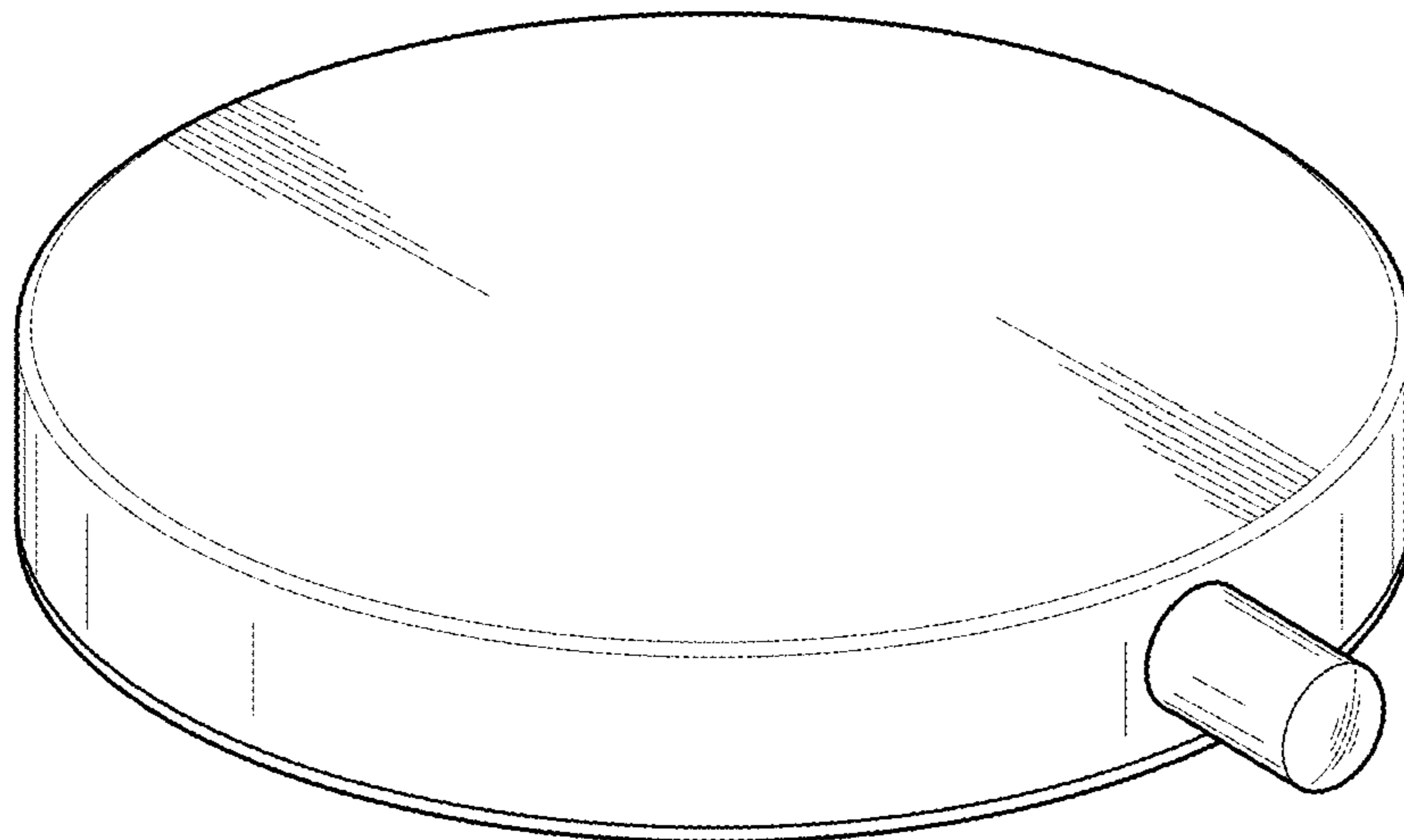
The ornamental design for an overflow cover with plug handle for a sanitary appliance, as shown and described.

DESCRIPTION

FIG. 1 is a perspective view of an overflow cover with plug handle for a sanitary appliance, showing the present design; FIG. 2 is a top view of the design of FIG. 1; FIG. 3 is a bottom view of the design of FIG. 1; FIG. 4 front view of the design of FIG. 1; FIG. 5 is a back view of the design of FIG. 1; FIG. 6 is a right side view of the design of FIG. 1; FIG. 7 is a left side view of the design of FIG. 1; and, FIG. 8 is a rotated underside perspective view of the design of FIG. 1.

The broken lines depict portions of the overflow cover with plug handle for a sanitary appliance that form no part of the claim.

1 Claim, 3 Drawing Sheets



(56)

References Cited

U.S. PATENT DOCUMENTS

2017/0120475 A1* 5/2017 Freeman B28B 7/18

FOREIGN PATENT DOCUMENTS

EP	1484453	A1	12/2004
EP	1614816	A1	1/2006
EP	1703028	A2	9/2006
EP	1612337	A3	4/2007
EP	1798352	A1	6/2007
EP	1964986	A2	9/2008
FR	767019	A	7/1934
FR	2800261	A1	5/2001
WO	2006066366	A2	6/2006

* cited by examiner

FIG. 1

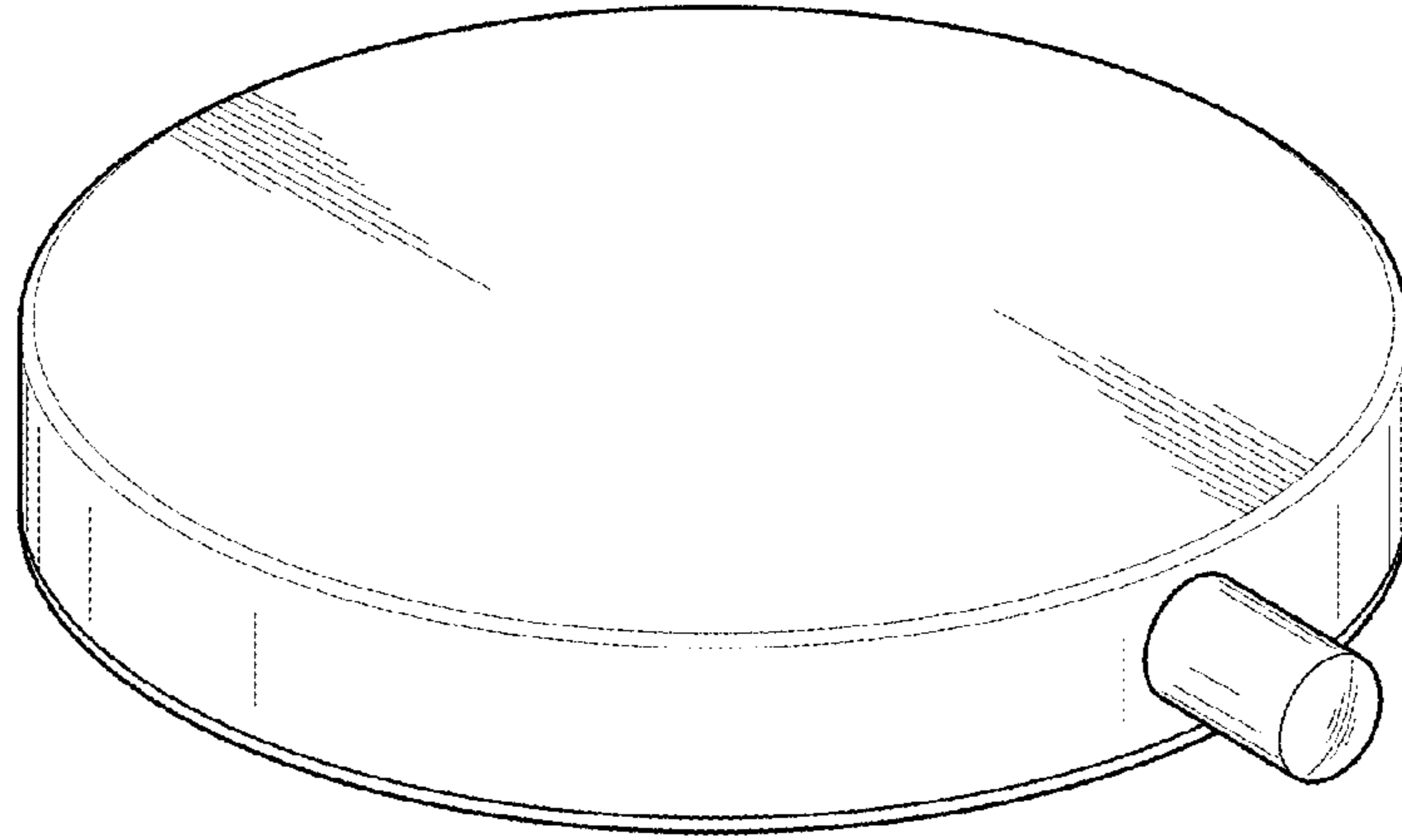


FIG. 2

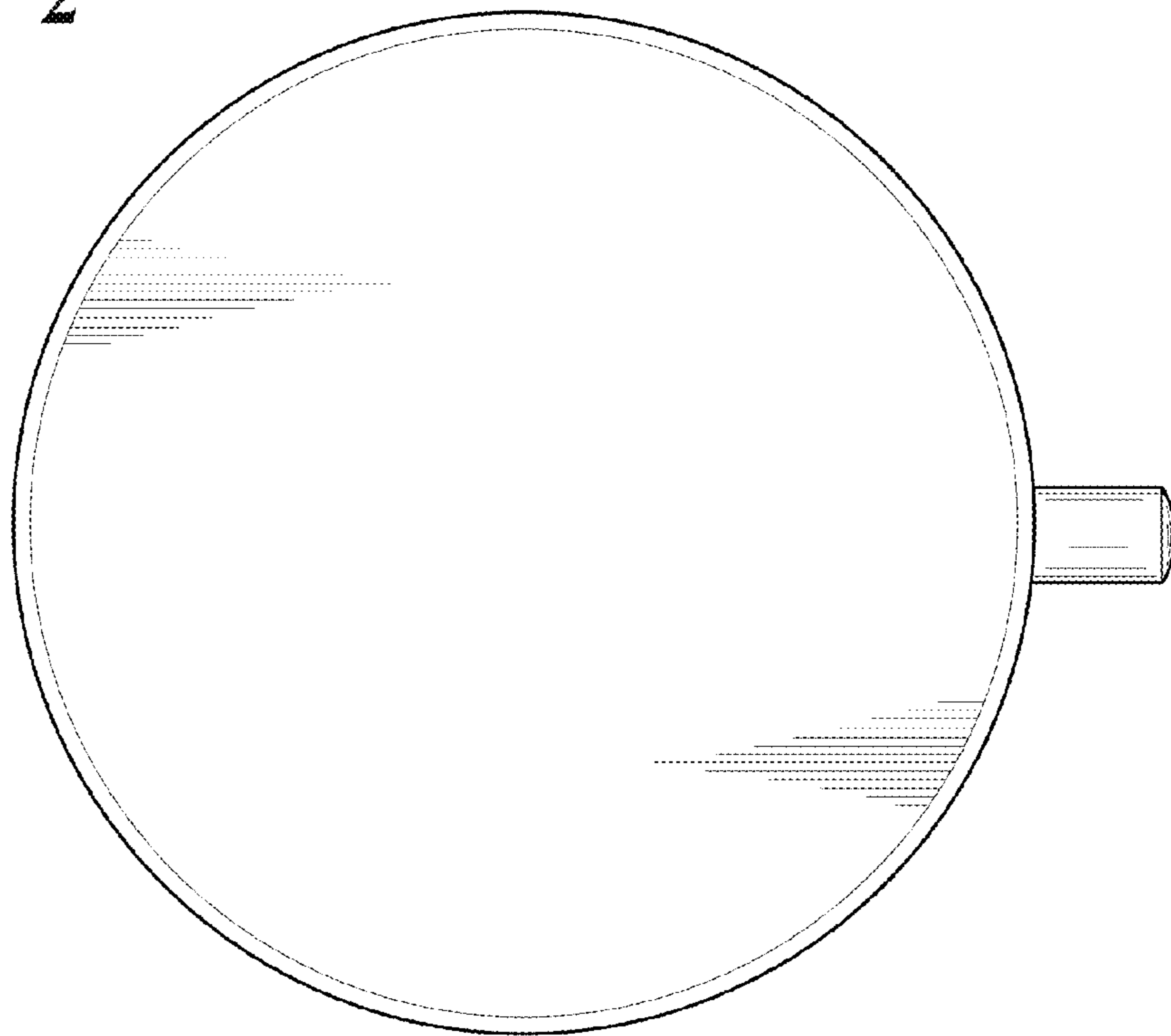


FIG. 3

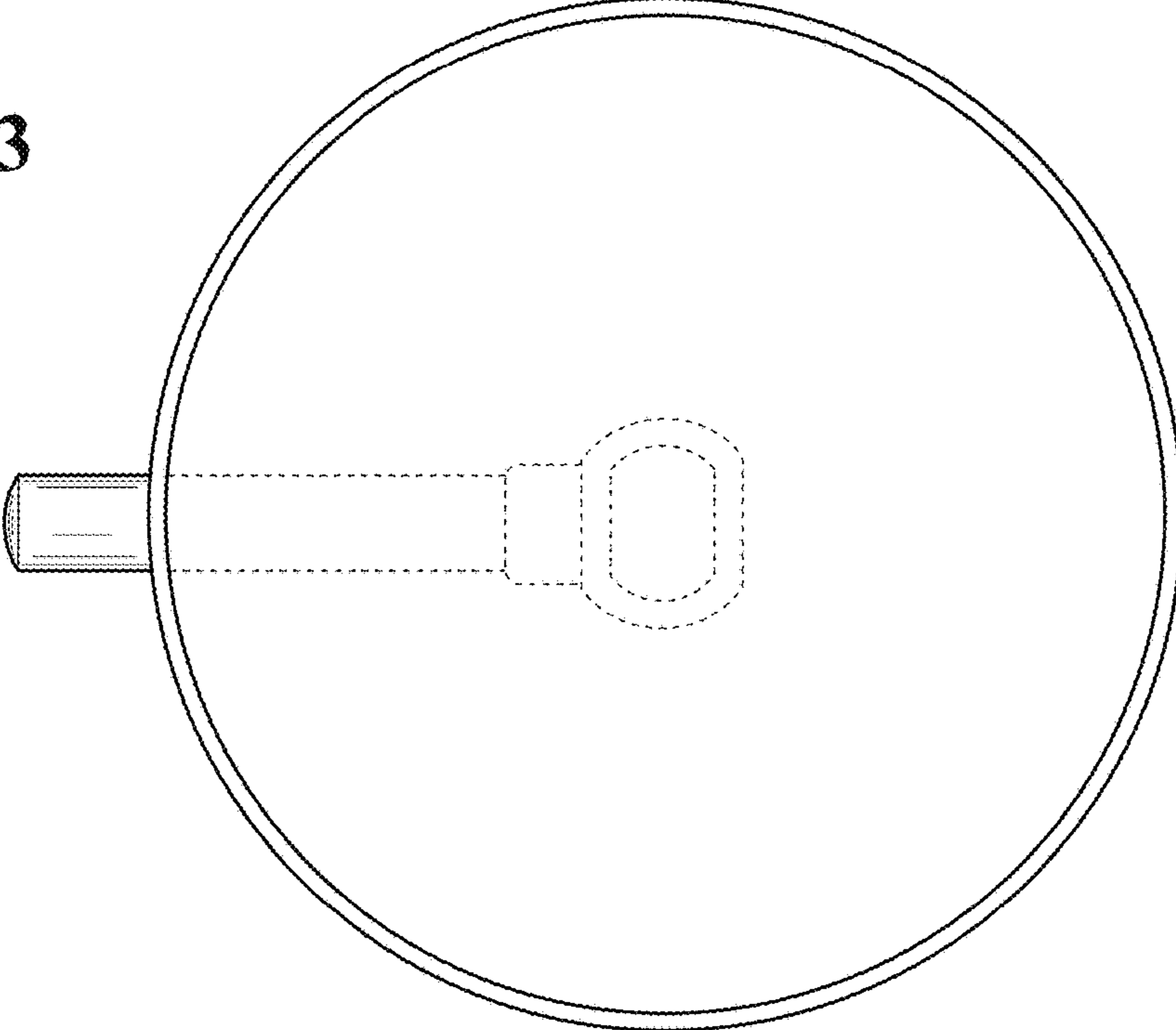


FIG. 4



FIG. 5



FIG. 6

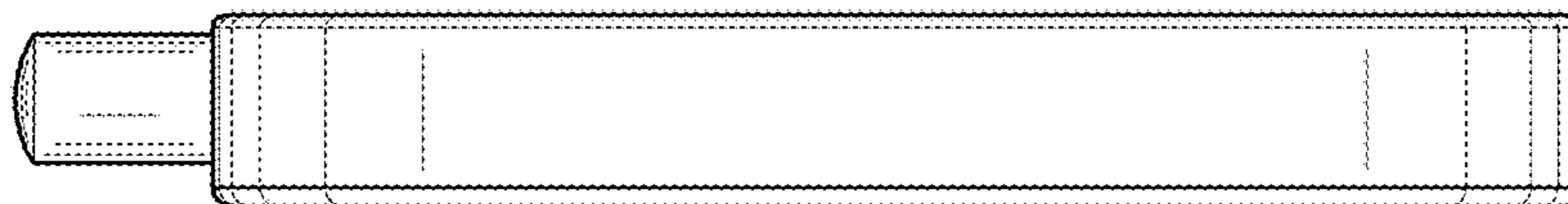


FIG. 7

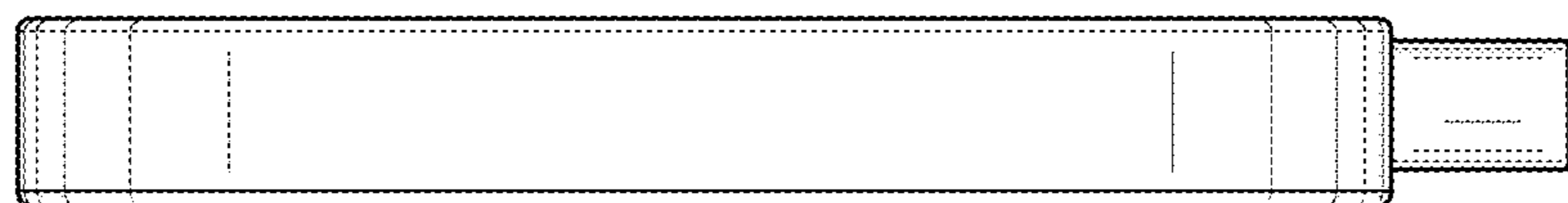


FIG. 8

