



US00D808500S

(12) **United States Design Patent**
Wang

(10) **Patent No.:** **US D808,500 S**
(45) **Date of Patent:** **** Jan. 23, 2018**

(54) **FAUCET**

(71) Applicant: **Spectrum Brands, Inc.**, Middleton, WI (US)

(72) Inventor: **Bingo Wang**, Xiamen (CN)

(73) Assignee: **Spectrum Brands, Inc.**, Middleton, WI (US)

(**) Term: **15 Years**

(21) Appl. No.: **29/576,107**

(22) Filed: **Aug. 31, 2016**

(51) **LOC (11) Cl.** **23-01**

(52) **U.S. Cl.**
USPC **D23/238**

(58) **Field of Classification Search**
USPC D23/238–242, 249–250, 252, 254–255, D23/257; D8/307–308
CPC Y10T 137/9464
See application file for complete search history.

(56) **References Cited**

U.S. PATENT DOCUMENTS

D564,075 S *	3/2008	Williams	D23/238
D602,568 S *	10/2009	Kwok	D23/238
D653,732 S *	2/2012	Romero	D23/238
D665,876 S *	8/2012	Corbett	D23/238
D667,933 S *	9/2012	Kwok	D23/238
D717,914 S *	11/2014	Hanna	D23/238
D736,898 S *	8/2015	Garland	D23/238
D784,788 S *	4/2017	Weng	D8/308
D786,405 S	5/2017	Schaubach		

OTHER PUBLICATIONS

Pfister; “Ainsley 1-Handle, Pull-Down Kitchen Faucet”; Publication date unknown but prior to filing date of present application; Date Accessed: Aug. 14, 2017; URL: <https://www.pfisterfaucets.com/kitchen/product/ainsley-1-handle-pull-down-kitchen-faucet-lf-529-7ays>.

Pfister; “Ashfield 1-Handle, Pull-Down Kitchen Faucet”; Publication date unknown but prior to filing date of present application; Date Accessed: Aug. 14, 2017; URL: <https://www.pfisterfaucets.com/kitchen/product/ashfield-1-handle-pull-down-kitchen-faucet-gt529-ypk>.

Pfister; “Sedgwick 1-Handle, Pull-Down Kitchen Faucet”; Publication date unknown but prior to filing date of present application; Date Accessed: Aug. 14, 2017; URL: <https://www.pfisterfaucets.com/kitchen/product/sedgwick-1-handle-pull-down-kitchen-faucet-f-529-7sws>.

Pfister; “Vosa 1-Handle Pull Down Bar and Prep Faucet with Soap Dispenser”; Publication date unknown but prior to filing date of present application; Date Accessed: Aug. 14, 2017; URL: <https://www.pfisterfaucets.com/kitchen/product/vosa-1-handle-pull-down-bar-and-prep-faucet-with-soap-dispenser-f-072-vvss>.

Pfister; “Clarify with Xtract 1-Handle, Pull-Down Kitchen Faucet”; Publication date unknown but prior to filing date of present application; Date Accessed: Aug. 14, 2017; URL: <https://www.pfisterfaucets.com/kitchen/product/clarify-with-xtract-1-handle-pull-down-kitchen-faucet-f-529-fcys>.

* cited by examiner

Primary Examiner — Robert A Delehanty

(74) *Attorney, Agent, or Firm* — Banner & Witcoff, Ltd.

(57) **CLAIM**

The ornamental design for a faucet, as shown and described.

DESCRIPTION

FIG. 1 is a front perspective view of a faucet showing my new design;

FIG. 2 is a front view thereof;

FIG. 3 is a rear view thereof;

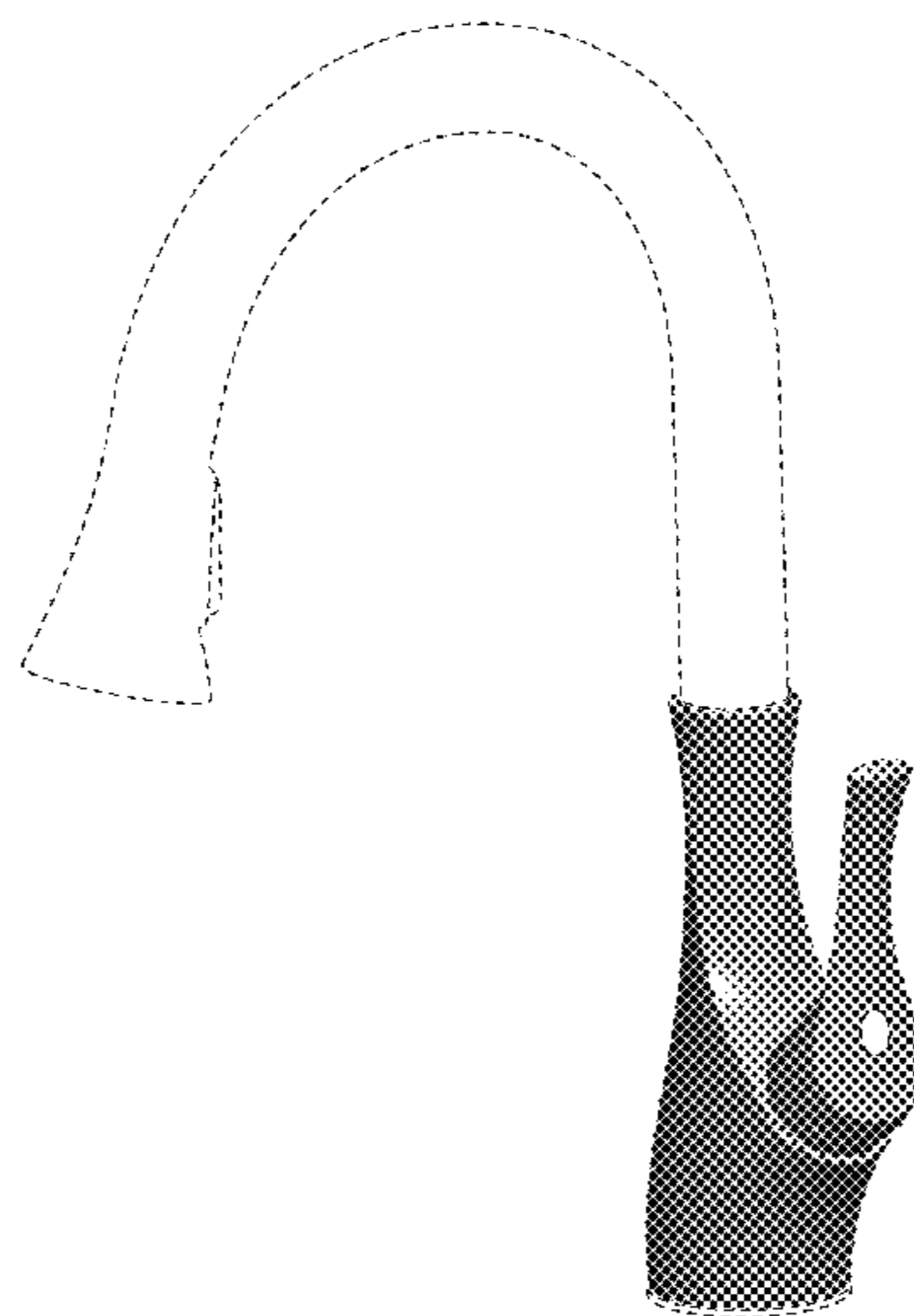
FIG. 4 is a right side view thereof;

FIG. 5 is a left side view thereof; and,

FIG. 6 is a top view thereof.

The broken line showing of the oval-shaped region in FIGS. 1 and 4, the washer adjacent the base of the faucet, and the remainder of the faucet in FIG. 1-7 represents unclaimed subject matter and forms no part of the claimed design.

1 Claim, 5 Drawing Sheets



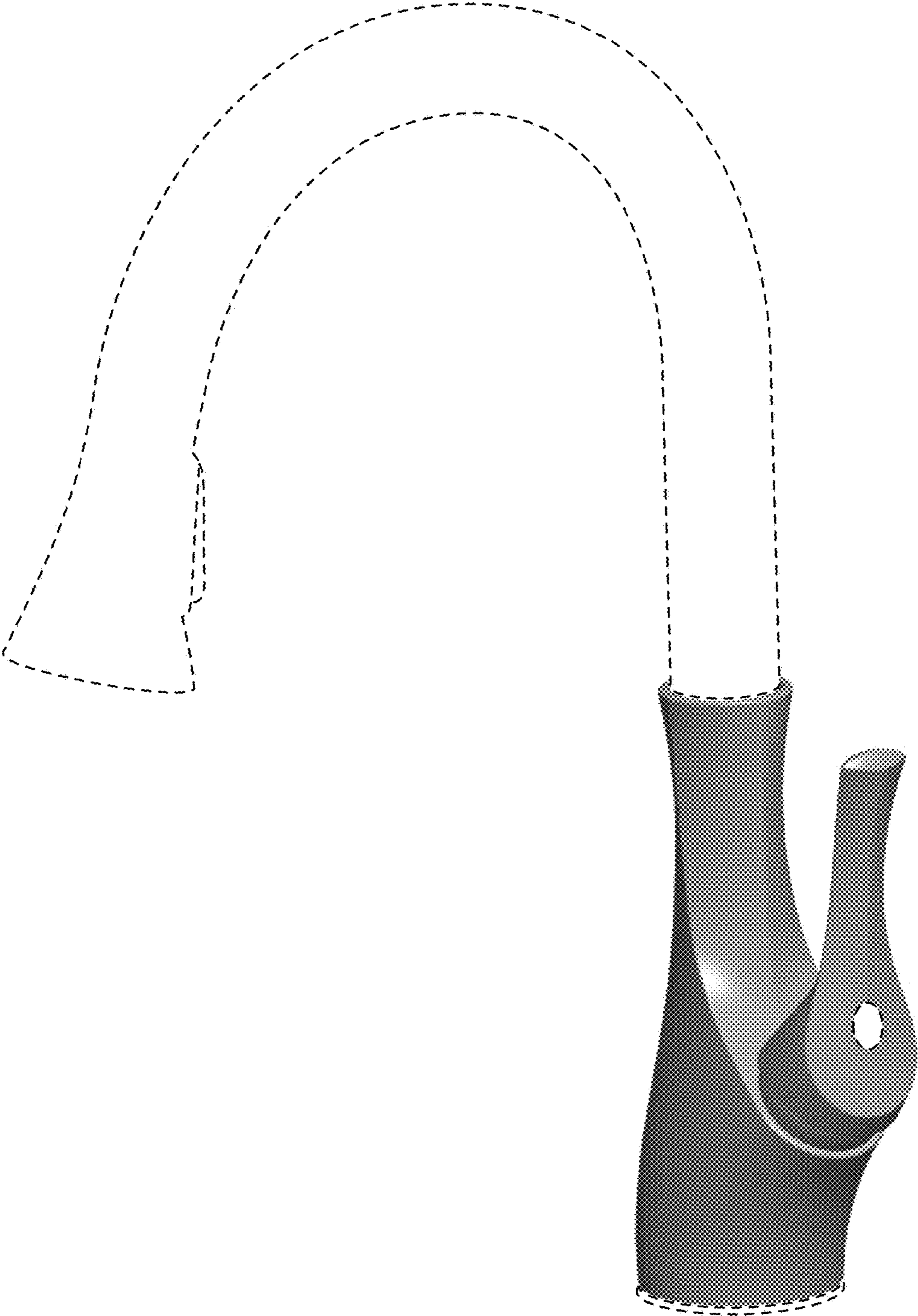


FIG. 1

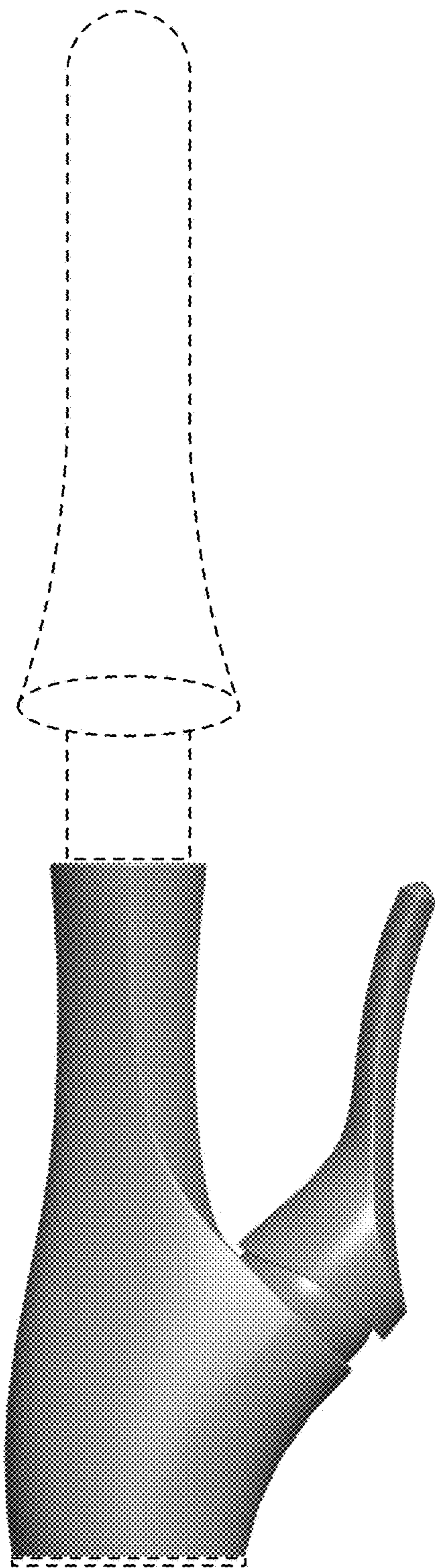


FIG. 2

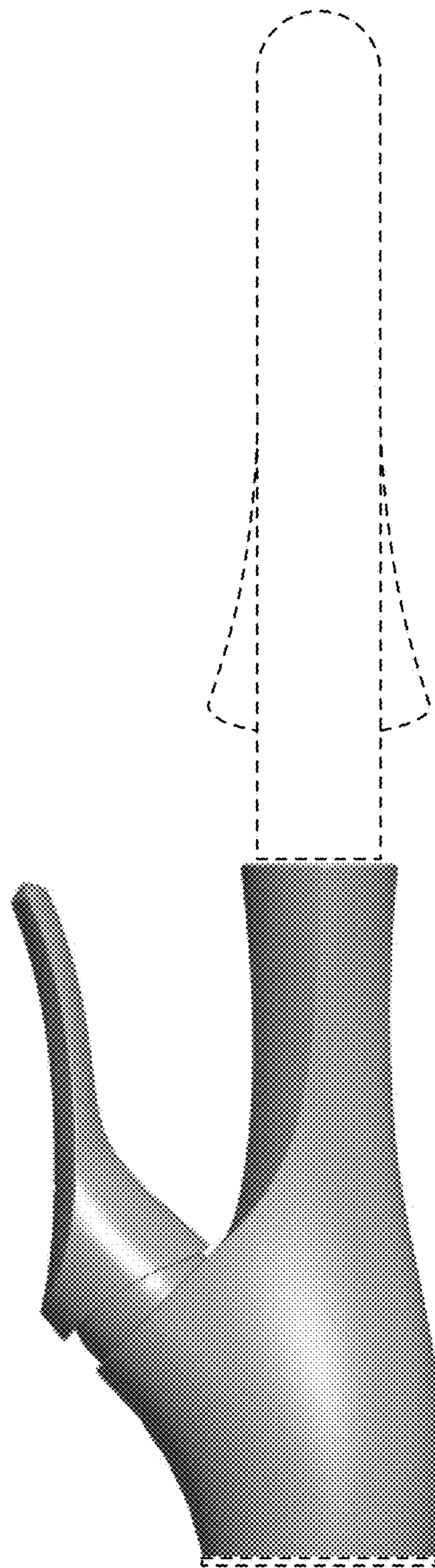


FIG. 3

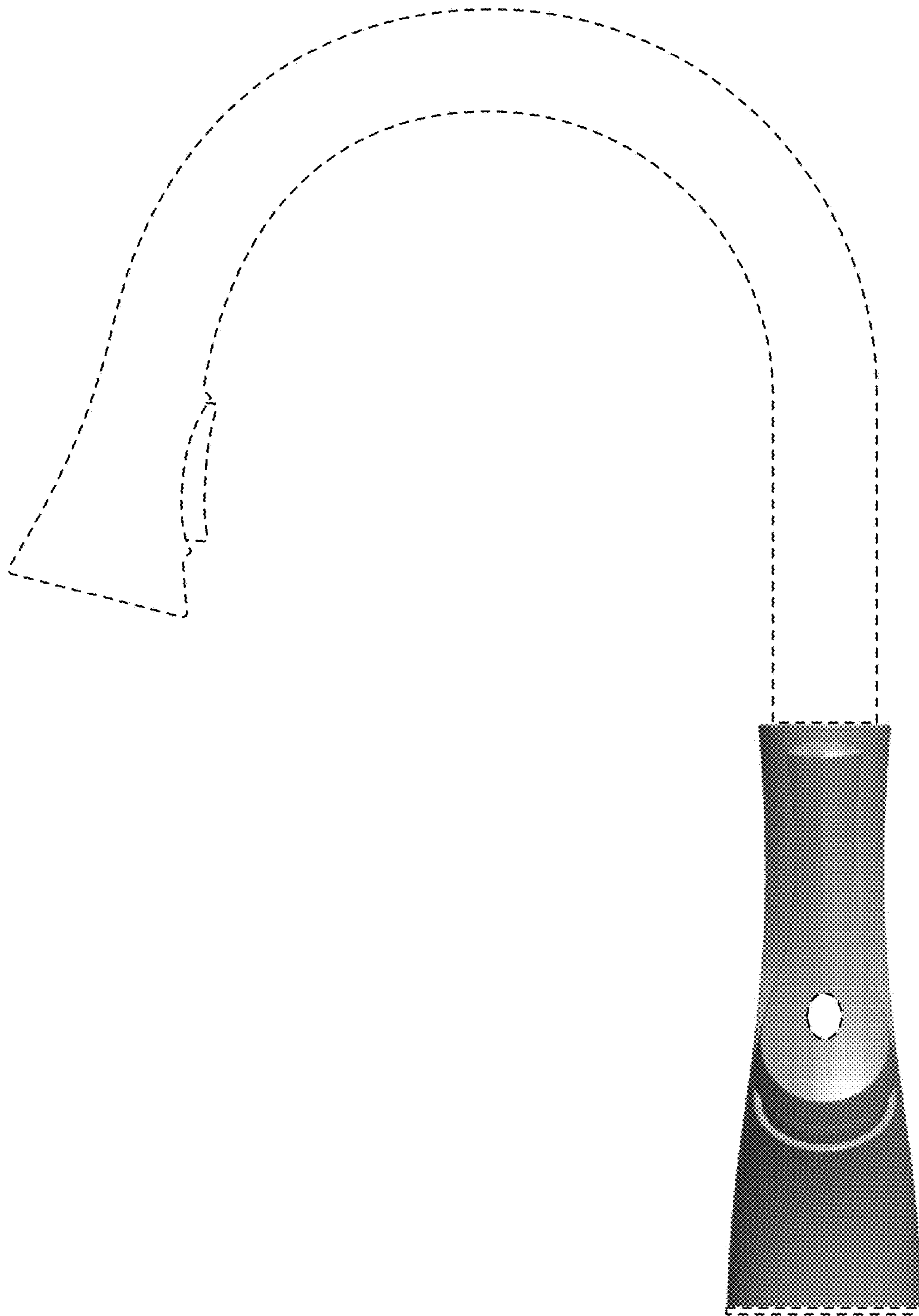


FIG. 4

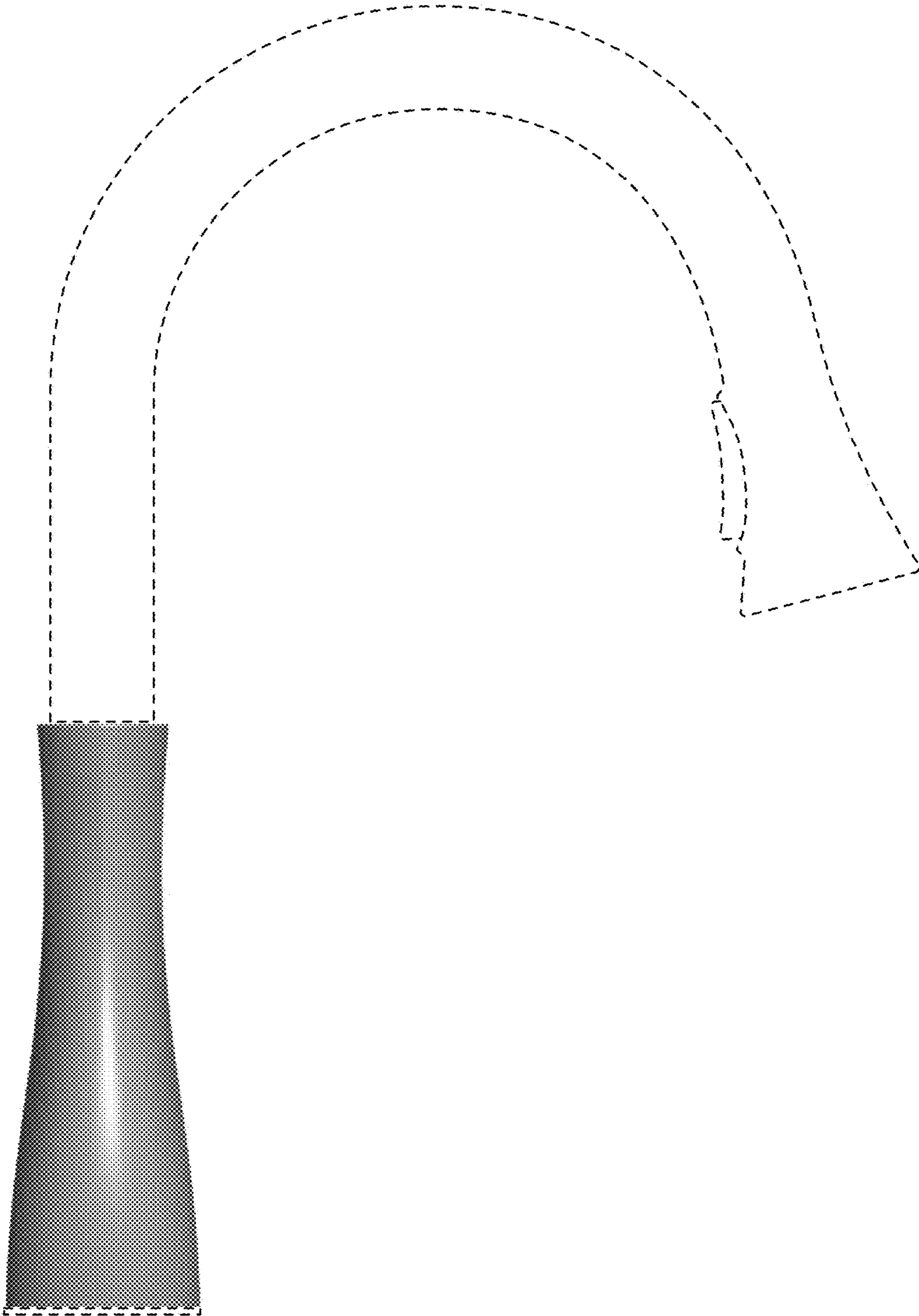


FIG. 5

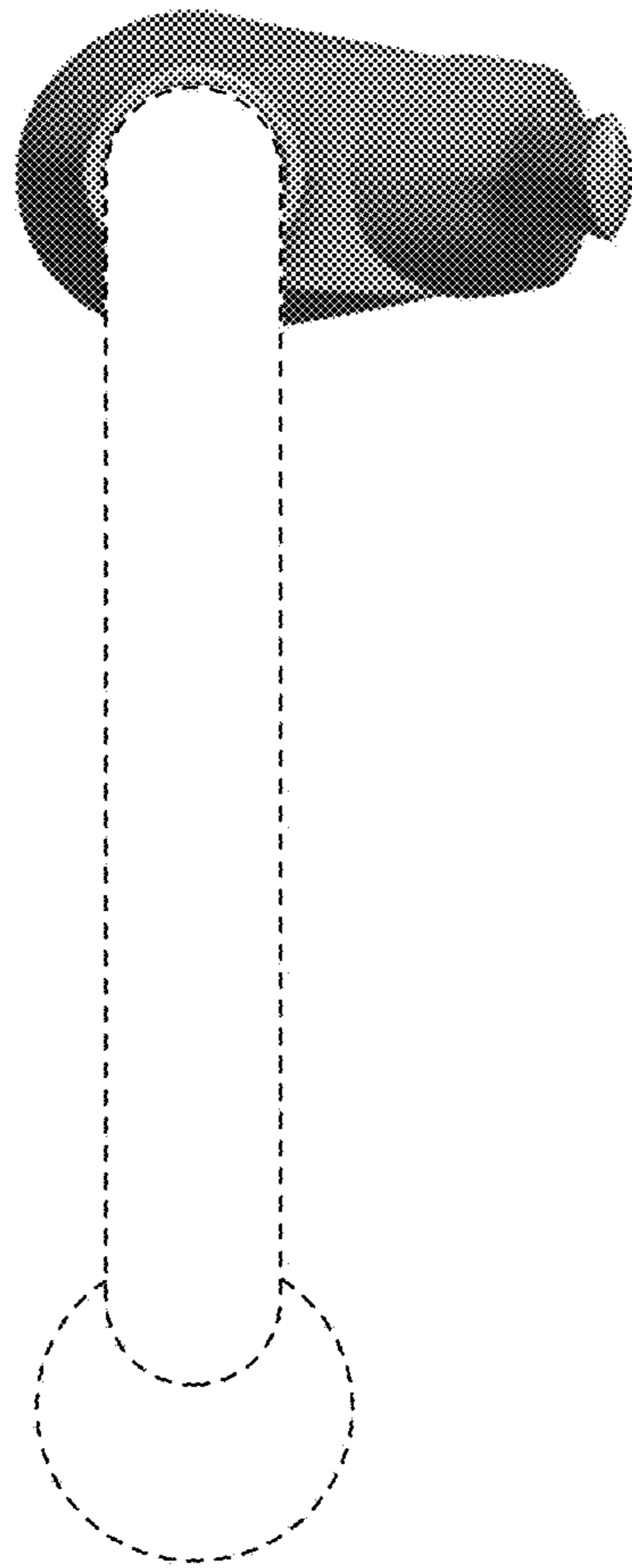


FIG. 6