



US00D808499S

(12) **United States Design Patent**  
**Näslund et al.**

(10) **Patent No.:** **US D808,499 S**  
(45) **Date of Patent:** **\*\* Jan. 23, 2018**

(54) **MULTI SPRAYER**

(71) Applicant: **HUSQVARNA AB**, Huskvarna (SE)

(72) Inventors: **Jens Näslund**, Spånga (SE); **Daniel Gunnarsson**, Danderyd (SE); **Gustav Landberg**, Trosa (SE); **Tor Sigurdson**, Stockholm (SE)

(73) Assignee: **HUSQVARNA AB**, Huskvarna (SE)

(\*\*) Term: **15 Years**

(21) Appl. No.: **29/579,299**

(22) Filed: **Sep. 29, 2016**

(30) **Foreign Application Priority Data**

Mar. 31, 2016 (EM) ..... 003049931-0009

(51) **LOC (11) Cl.** ..... **23-01**

(52) **U.S. Cl.**  
USPC ..... **D23/213**

(58) **Field of Classification Search**  
USPC ..... D23/213, 223, 226; 239/526  
CPC ..... B05B 1/18; B05B 9/01; B05B 15/061;  
B05B 3/00; B05B 5/00; A62C 31/03;  
A62C 31/02  
See application file for complete search history.

(56) **References Cited**

**U.S. PATENT DOCUMENTS**

D314,609 S \* 2/1991 Liaw ..... D23/226  
D486,555 S \* 2/2004 Chen ..... D23/223

D489,791 S \* 5/2004 Chen ..... D23/223  
D553,713 S \* 10/2007 Chih ..... D23/226  
D557,377 S \* 12/2007 Chen ..... D23/223  
D559,354 S \* 1/2008 Chih ..... D23/226  
D653,306 S \* 1/2012 Chen ..... D23/226  
D657,018 S \* 4/2012 Chen ..... D23/226  
D748,762 S \* 2/2016 Näslund  
D771,774 S \* 11/2016 Chen ..... D23/223  
D782,008 S \* 3/2017 Naslund ..... D23/226  
9,687,870 B2 \* 6/2017 Yu ..... B05B 15/08

**FOREIGN PATENT DOCUMENTS**

JP 1515591 S 1/2015

\* cited by examiner

*Primary Examiner* — Robin V Webster

(74) *Attorney, Agent, or Firm* — McNair Law Firm, P.A.

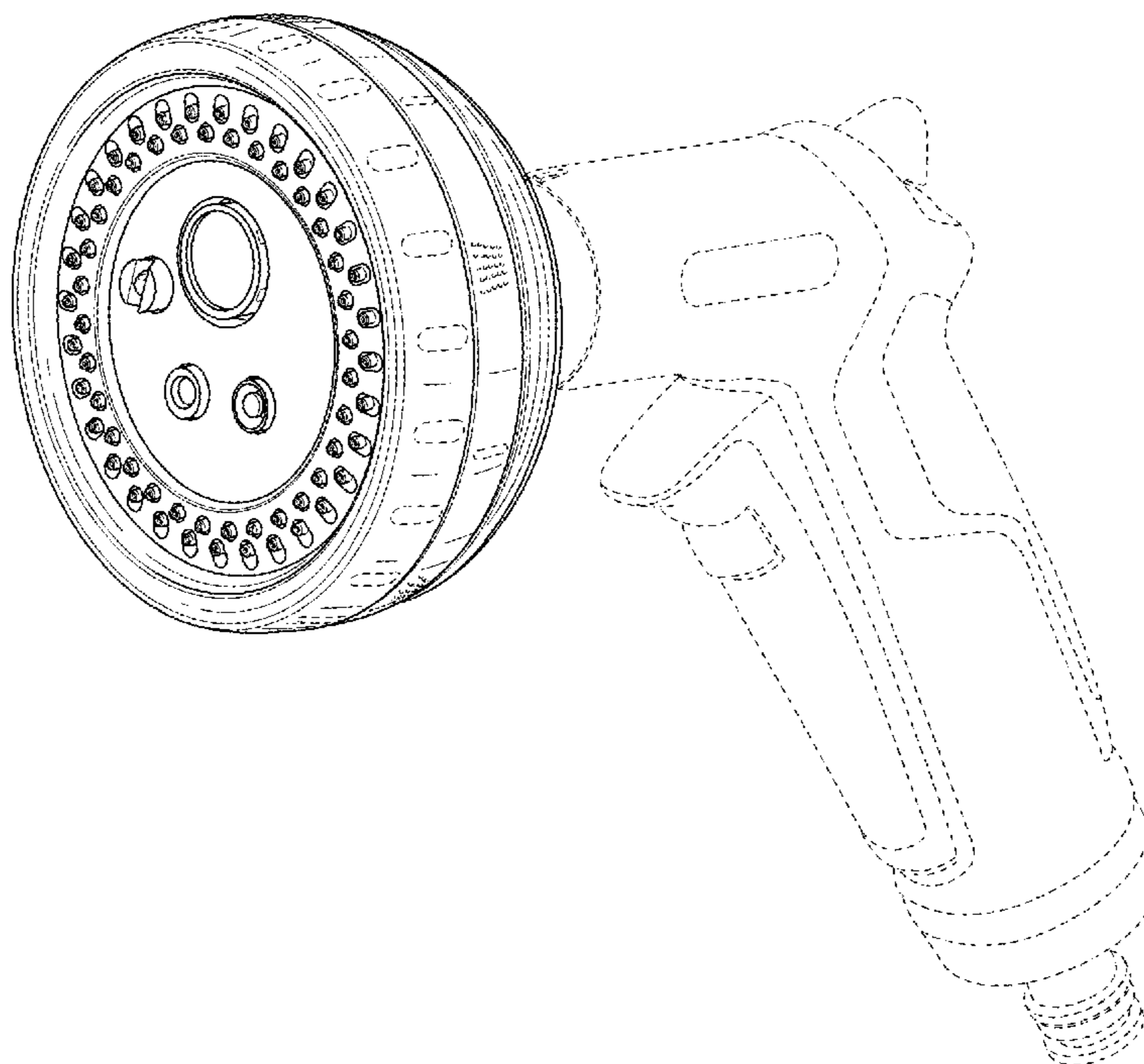
(57) **CLAIM**

The ornamental design for a multi sprayer, as shown and described.

**DESCRIPTION**

FIG. 1 is a perspective view of a multi sprayer in accordance with an embodiment of the present invention; FIG. 2 is a front view of the multi sprayer of FIG. 1; FIG. 3 is a rear view of the multi sprayer of FIG. 1; FIG. 4 is a right side view of the multi sprayer of FIG. 1; FIG. 5 is a left side view of the multi sprayer of FIG. 1; FIG. 6 is a bottom view of the multi sprayer of FIG. 1; and, FIG. 7 is a top view of the multi sprayer of FIG. 1. The broken lines of FIGS. 1-7 are illustrative of the visible environmental structure of the multi sprayer and form no part of the claimed design.

**1 Claim, 5 Drawing Sheets**



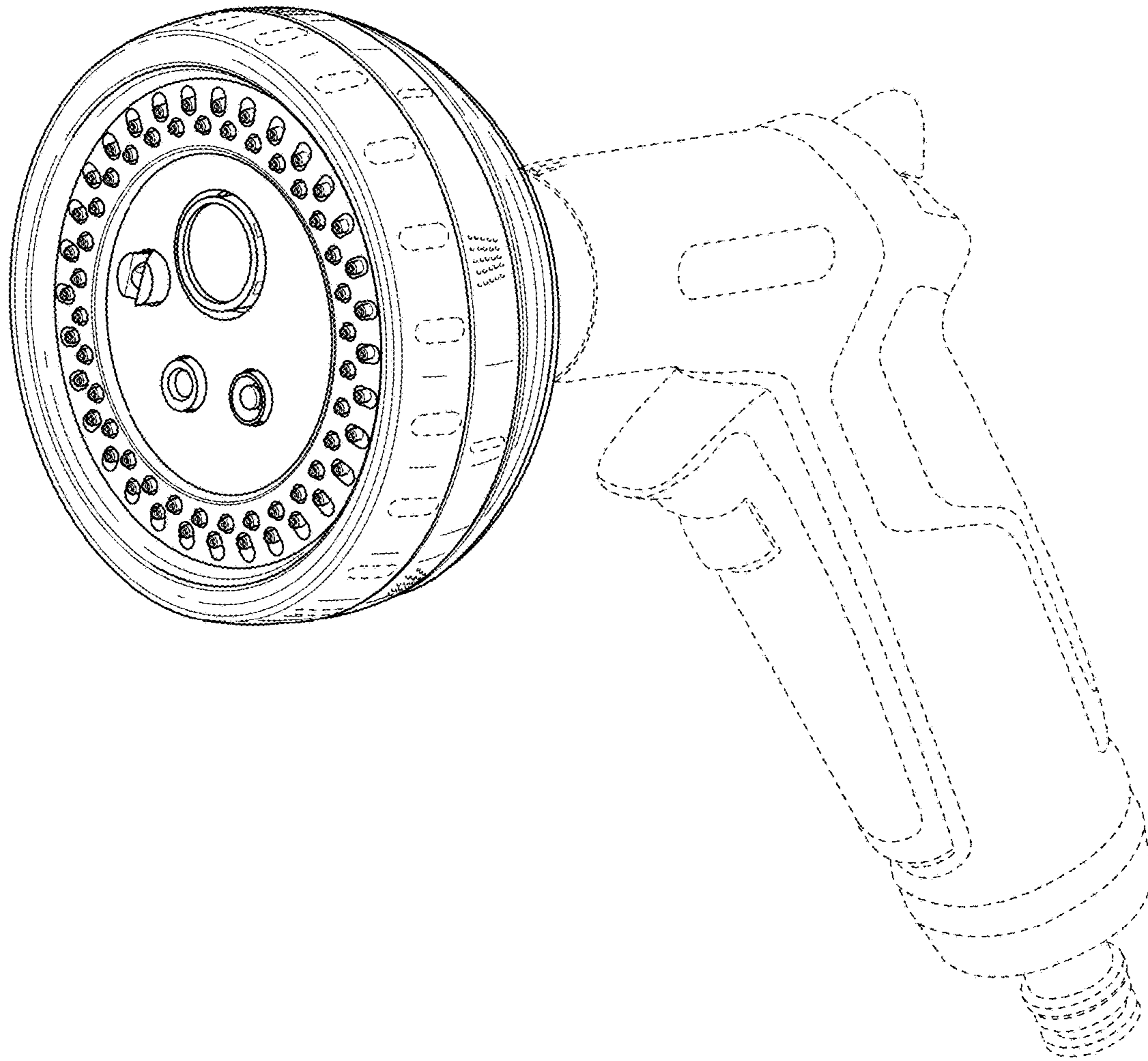


FIG. 1

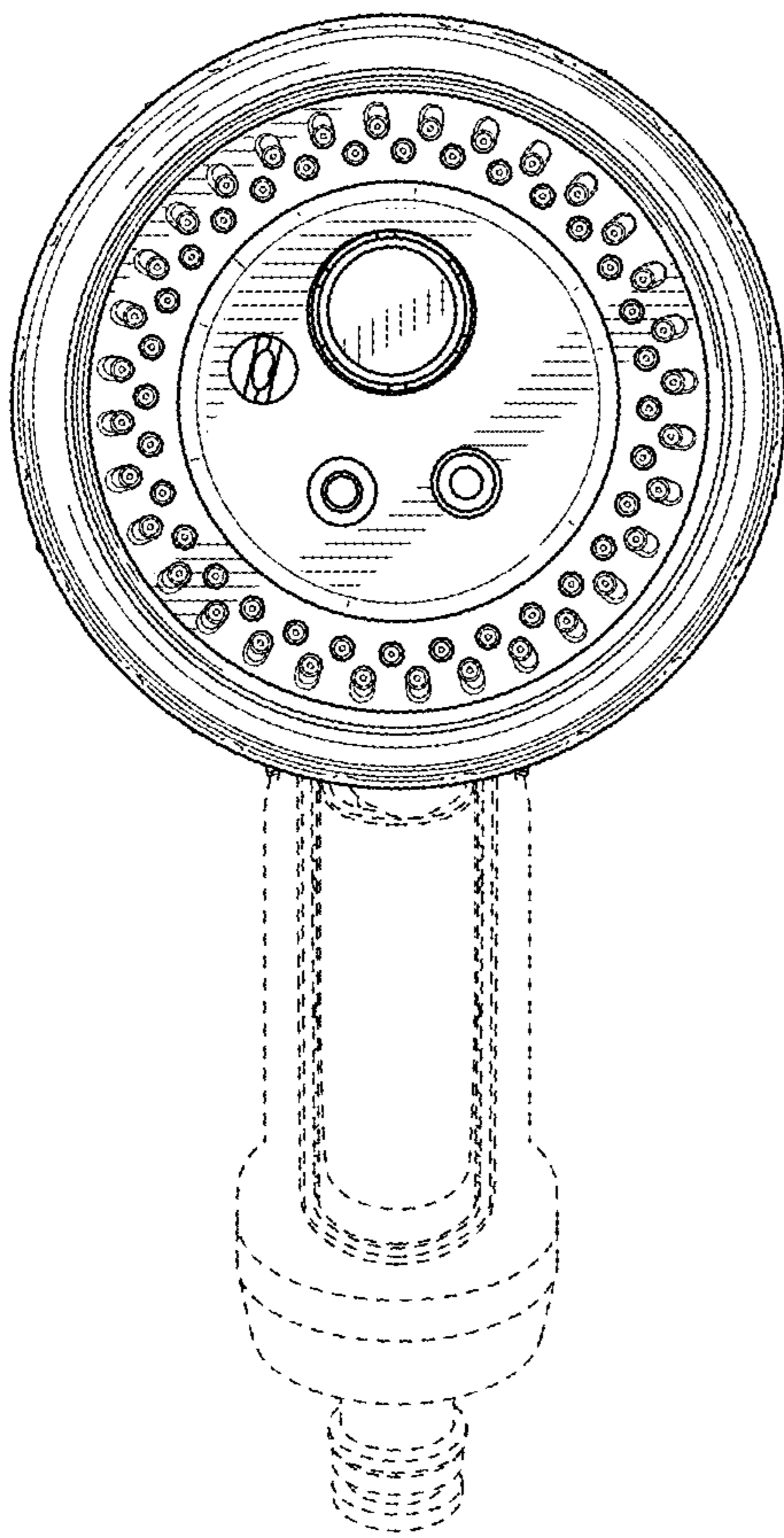


FIG. 2

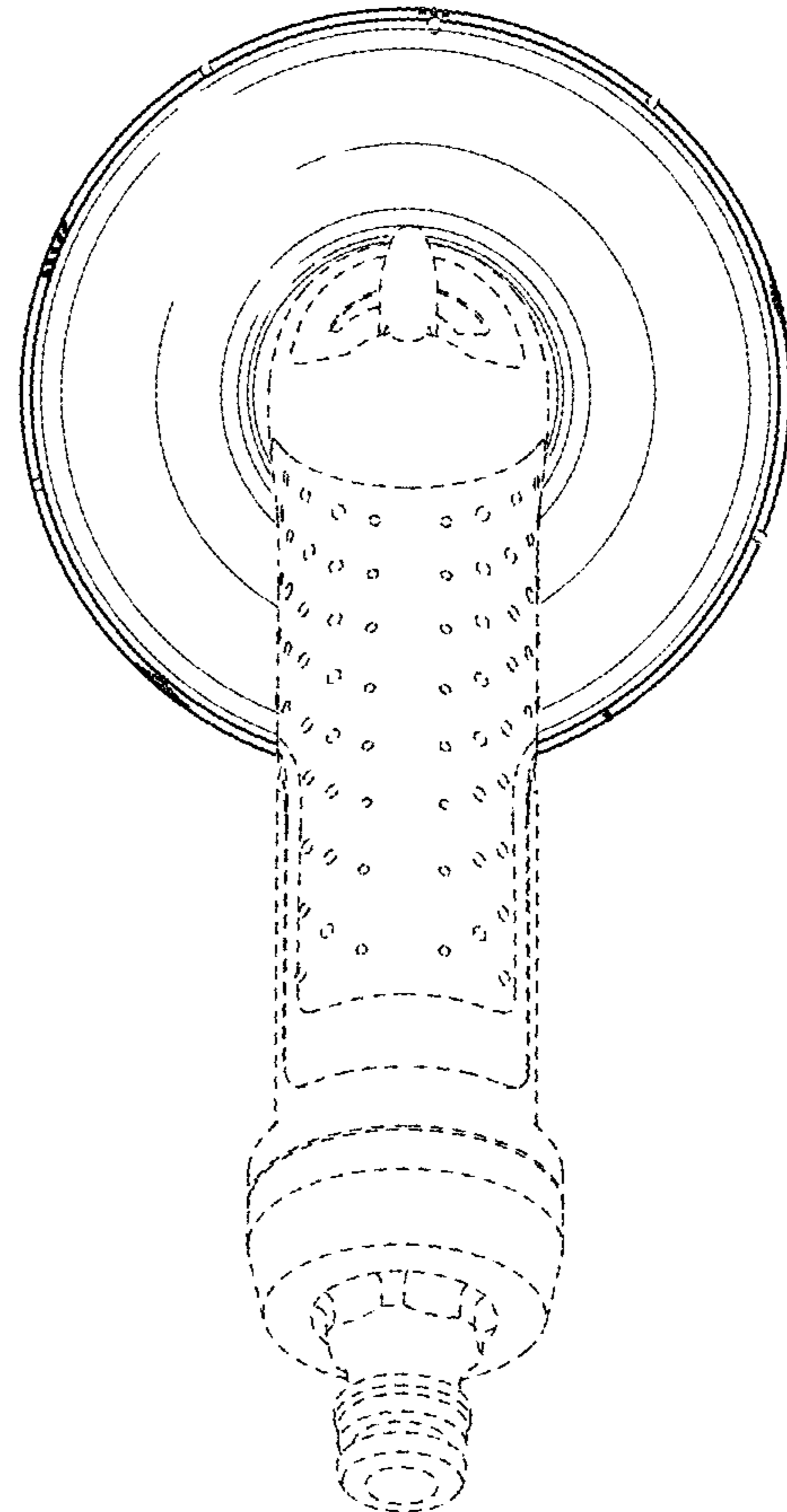


FIG. 3

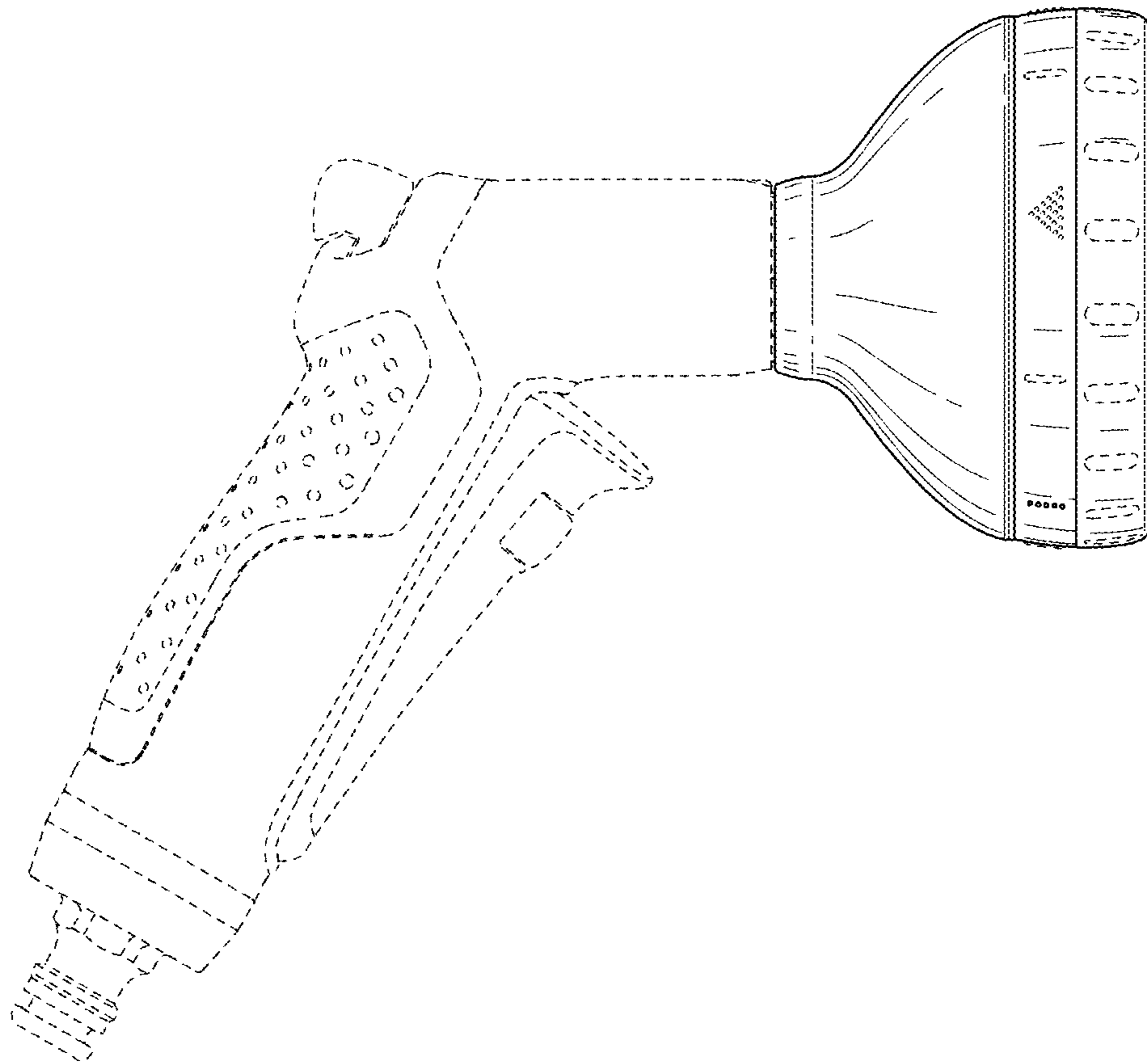


FIG. 4

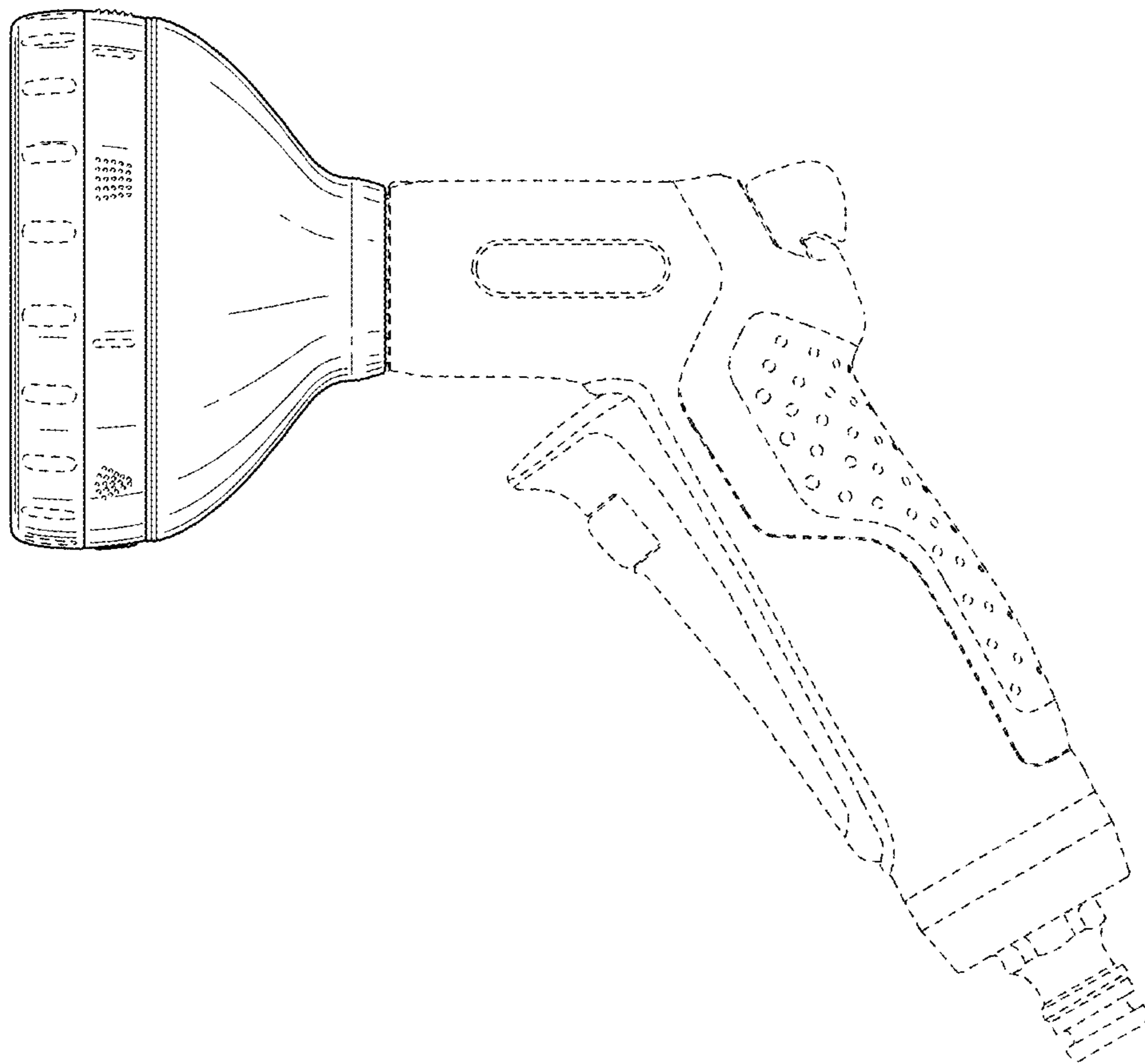


FIG. 5

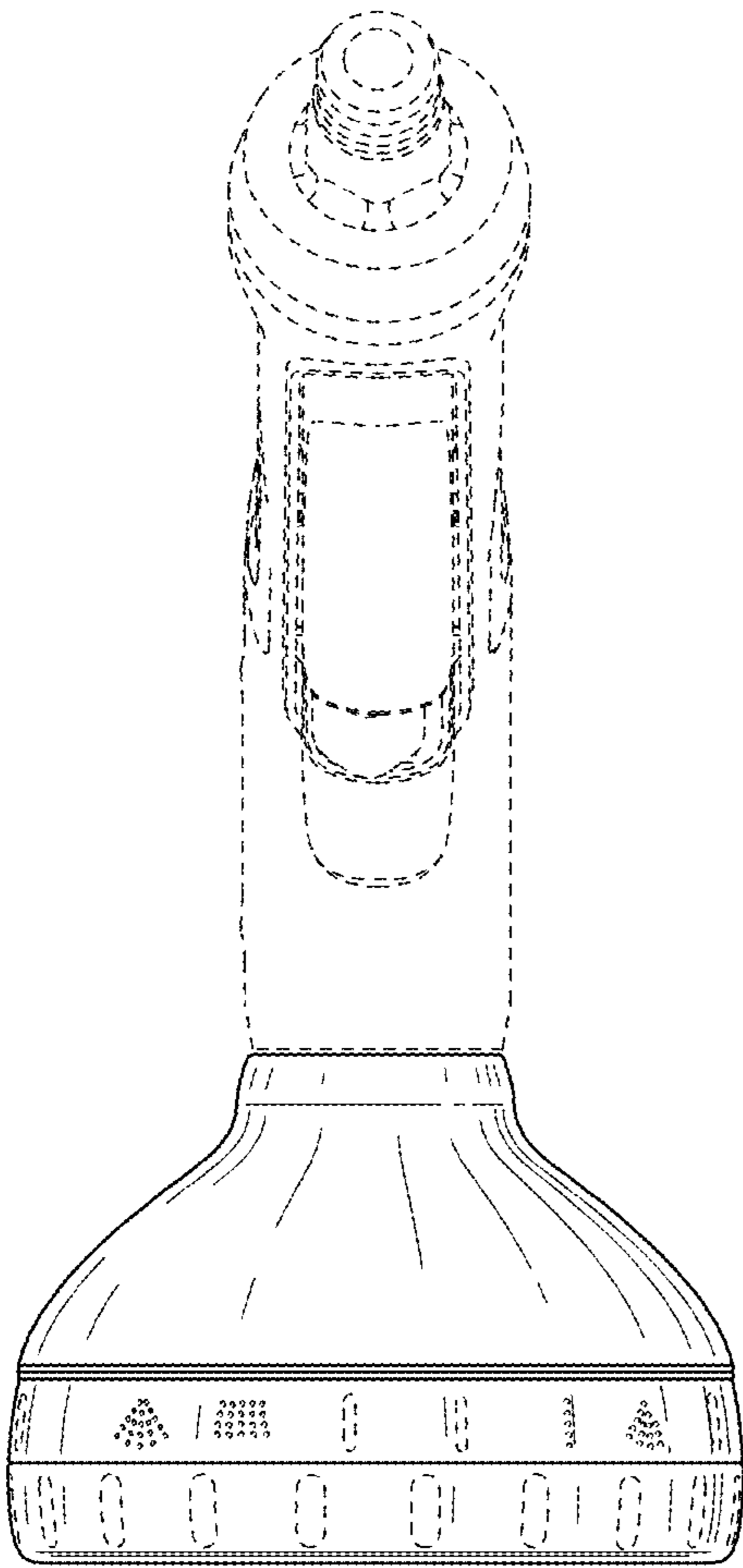


FIG. 6

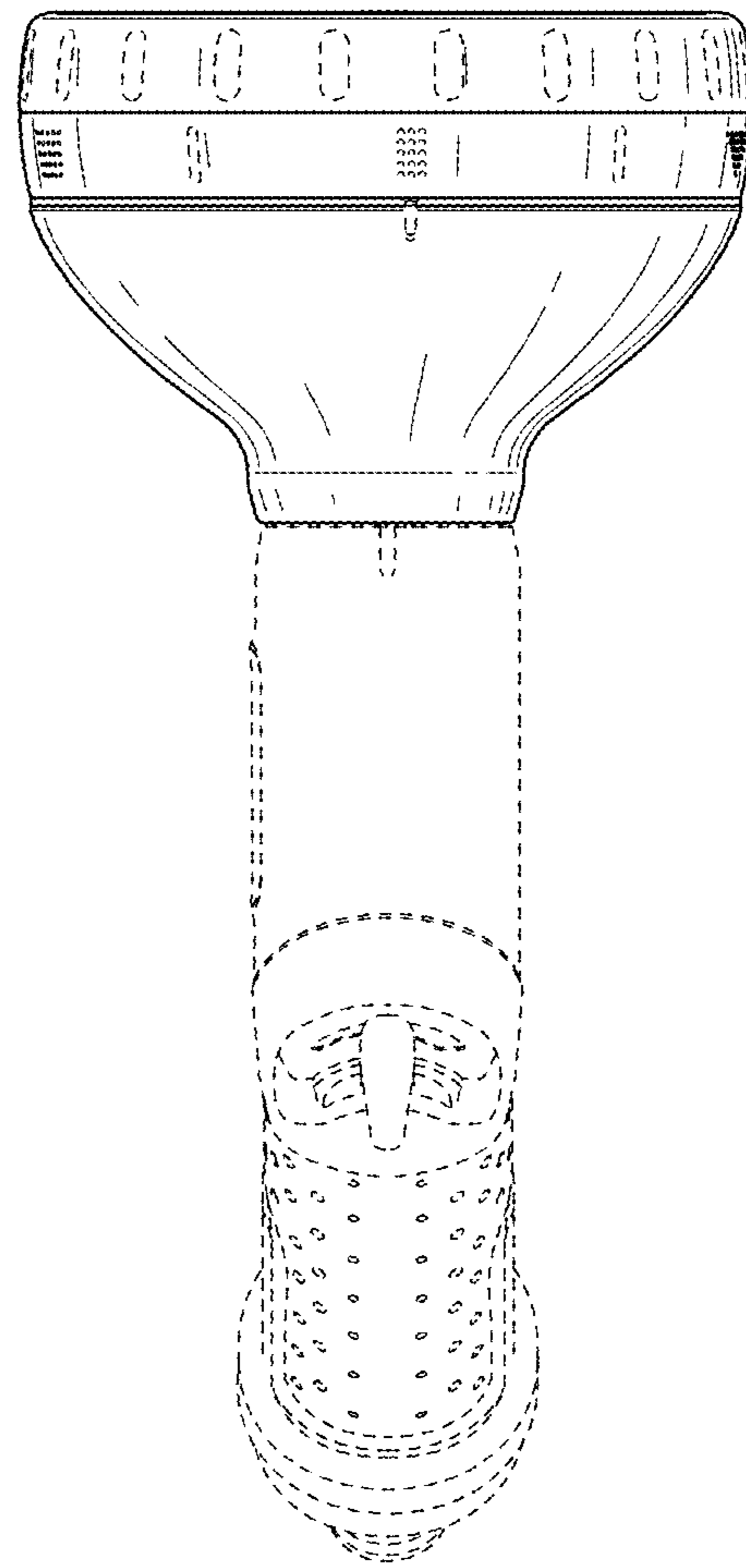


FIG. 7