



US00D808496S

(12) **United States Design Patent**
Raymond, Jr.

(10) **Patent No.:** **US D808,496 S**
(45) **Date of Patent:** **** Jan. 23, 2018**

(54) **WASTEWATER PROCESSING UNIT**

(71) Applicant: **Coastal Pipeline Products Corp.**,
Calverton, NY (US)

(72) Inventor: **Donald O. Raymond, Jr.**, Hampton
Bays, NY (US)

(73) Assignee: **Coastal Pipeline Products Corp.**,
Calverton, NY (US)

(**) Term: **15 Years**

(21) Appl. No.: **29/583,787**

(22) Filed: **Nov. 9, 2016**

(51) **LOC (11) Cl.** **23-01**

(52) **U.S. Cl.**
USPC **D23/207**

(58) **Field of Classification Search**
USPC D23/207, 209, 227, 270, 449; 210/466
CPC B01D 3/00; B01D 3/04; B01D 3/30; C02F
1/00; C02F 1/03
See application file for complete search history.

(56) **References Cited**

U.S. PATENT DOCUMENTS

D283,649 S *	4/1986	Casberg	D22/122
D335,704 S *	5/1993	Casberg	D23/207
D396,345 S *	7/1998	Sanderson	D3/204
D438,932 S *	3/2001	McKinney	D23/207
D519,186 S *	4/2006	Oranski	D23/209
D654,147 S *	2/2012	Bell	D23/209
D731,619 S *	6/2015	Smith	D23/209
D776,239 S *	1/2017	Westrick	D23/209

D794,747 S *	8/2017	Kimura	D23/207
D796,002 S *	8/2017	Hill	D23/207
D802,083 S *	11/2017	Lee	D23/207
2016/0228798 A1 *	8/2016	Page	B01D 29/111
2017/0241388 A1 *	8/2017	Hummel	B01D 29/07

* cited by examiner

Primary Examiner — Robin V. Webster

Assistant Examiner — James Thorn, Sr.

(74) *Attorney, Agent, or Firm* — Hoffmann & Baron, LLP

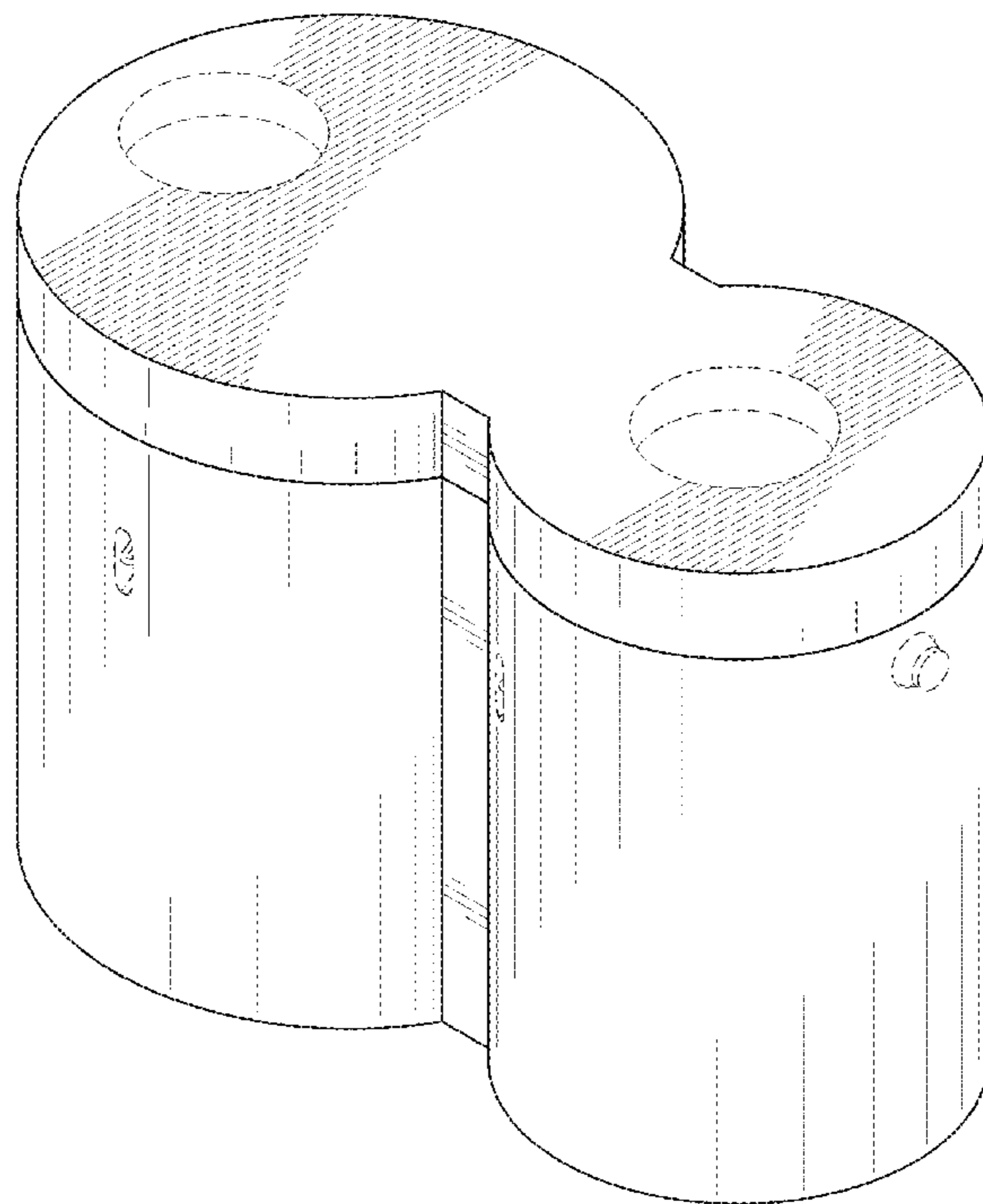
(57) **CLAIM**

The ornamental design for a wastewater processing unit, as shown and described.

DESCRIPTION

FIG. 1 is a perspective view of the waste processing unit showing my new design;
FIG. 2 is a left side elevational view of the wastewater processing unit shown in FIG. 1, the right side being a mirror image thereof;
FIG. 3 is a front view of the wastewater processing unit shown in FIG. 1;
FIG. 4 is a rear view of the wastewater processing unit shown in FIG. 1;
FIG. 5 is a top elevation view of the wastewater processing unit as shown in FIG. 1; and,
FIG. 6 is a bottom elevation view of the wastewater processing unit shown in FIG. 1.
The broken lines shown in the drawings represent unclaimed environment and are for illustrative purposes only, forming no part of the claimed design.

1 Claim, 5 Drawing Sheets



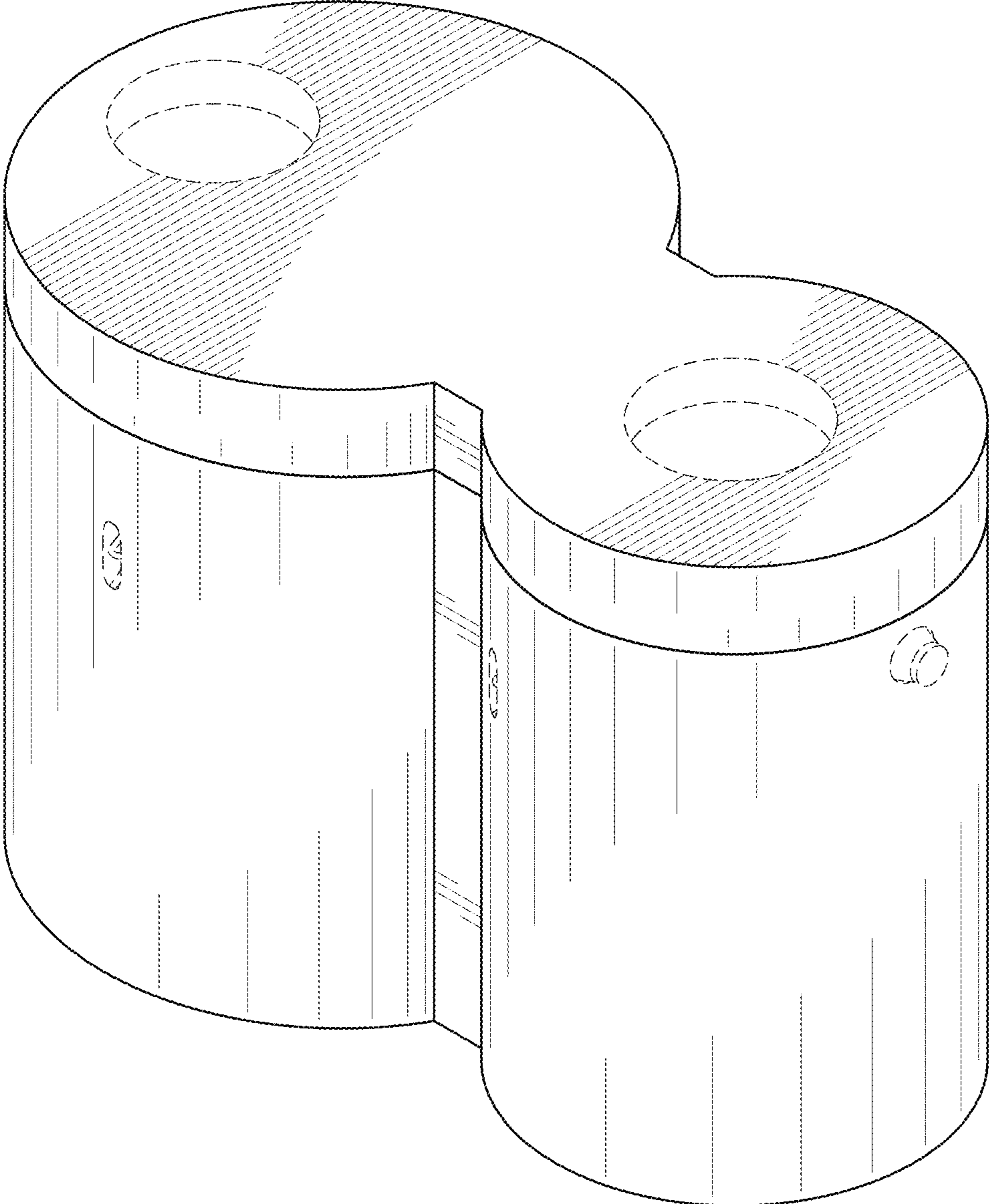


FIG. 1

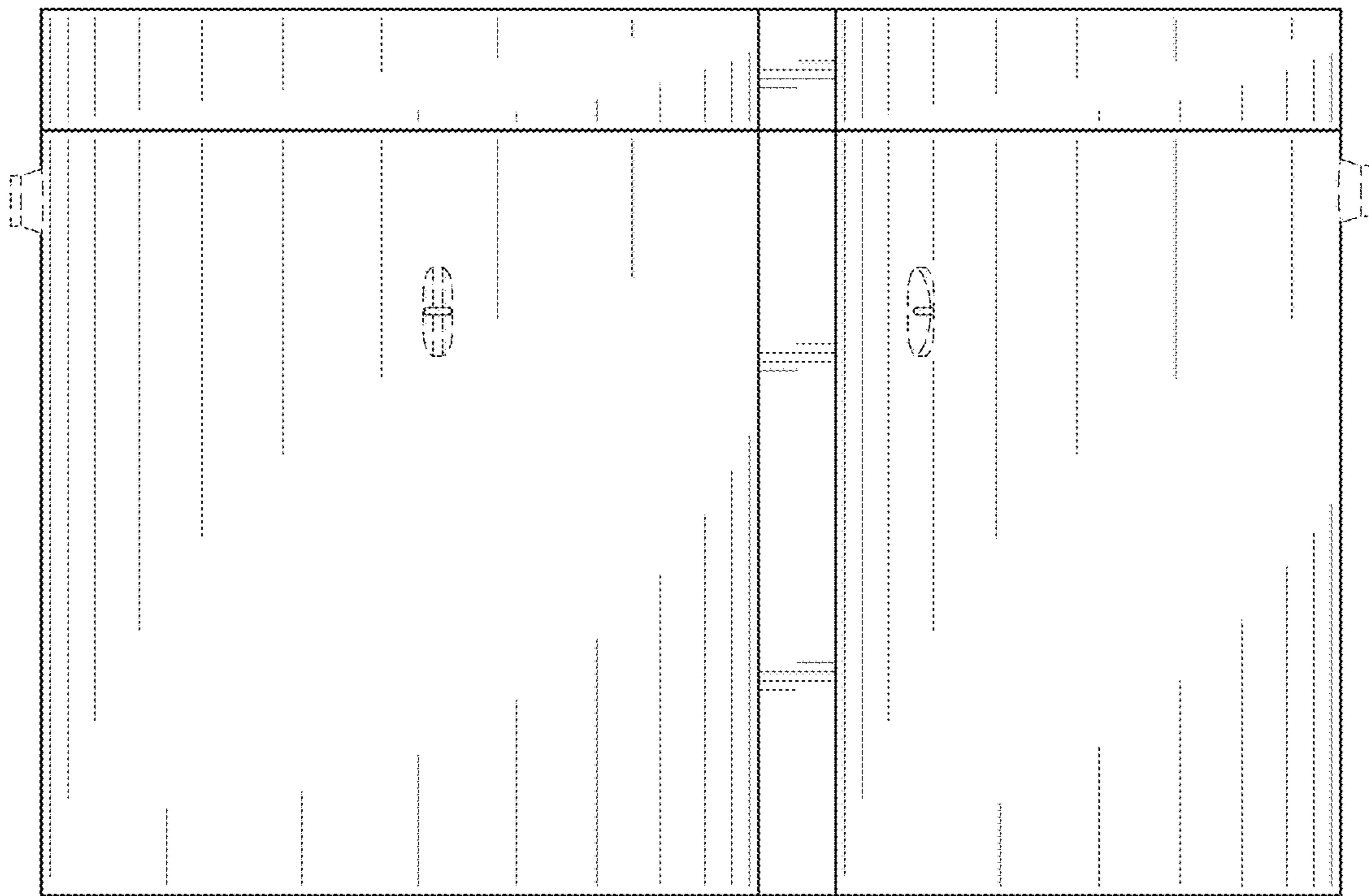


FIG. 2

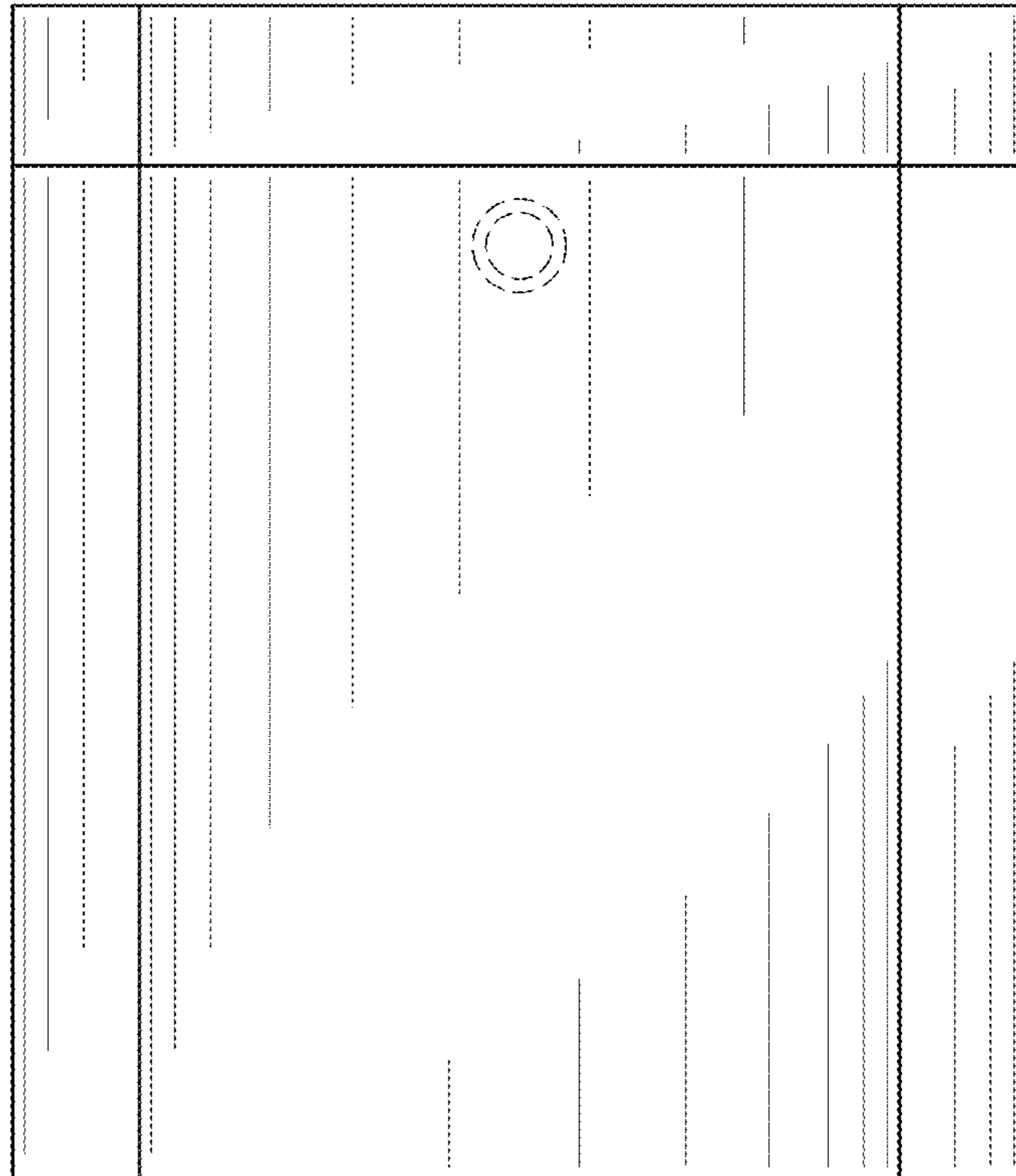


FIG. 3

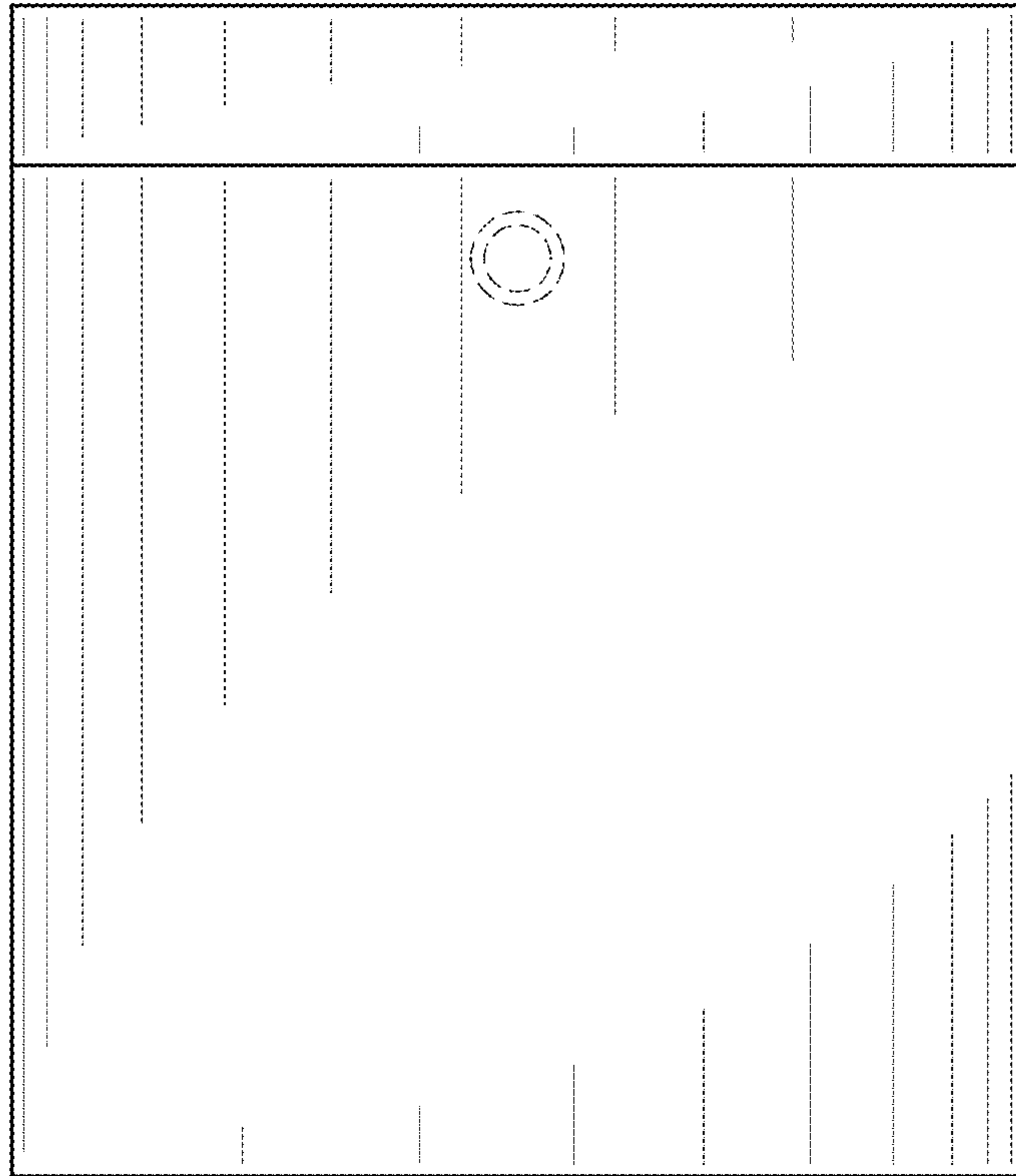


FIG. 4

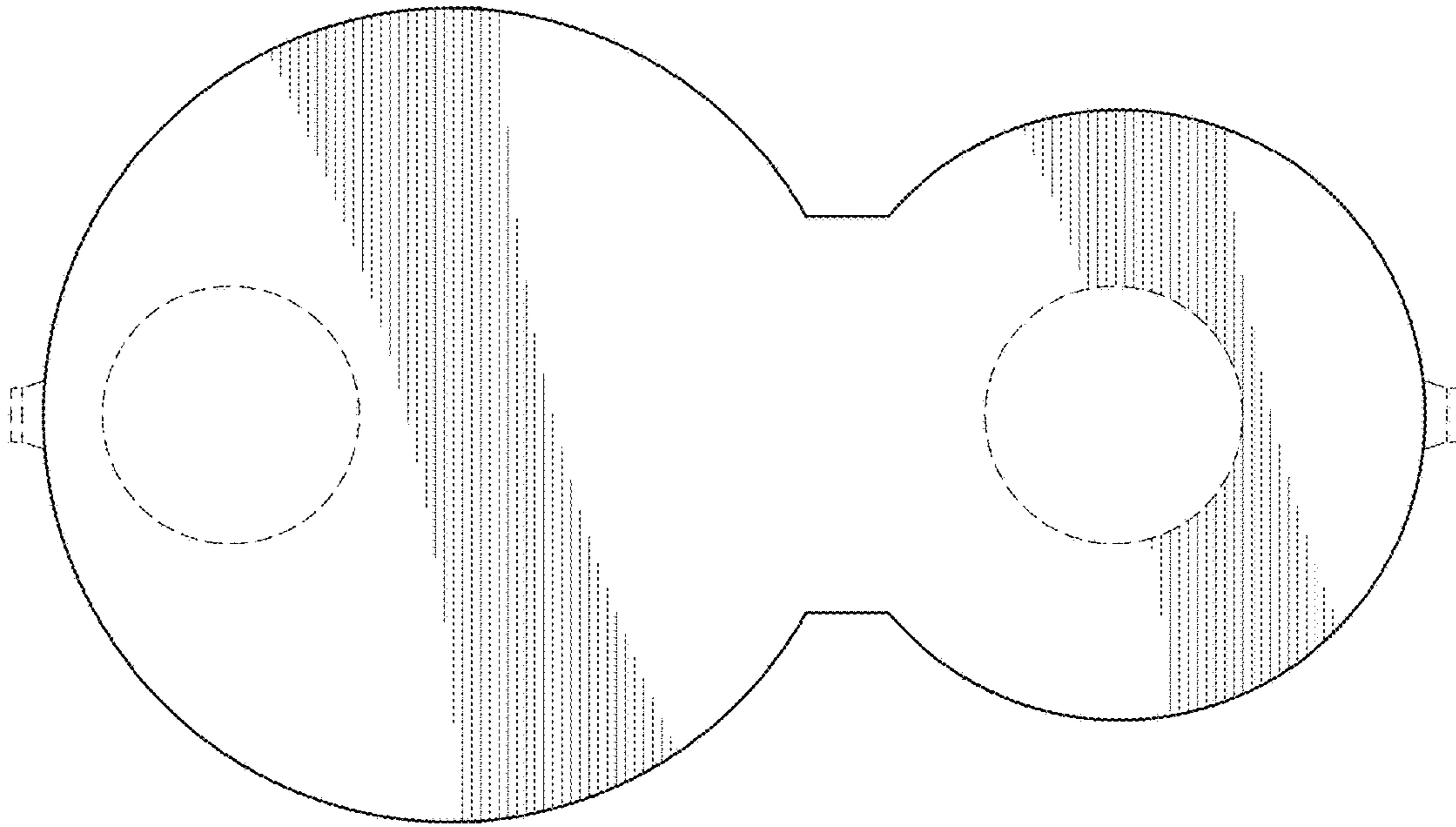


FIG. 5

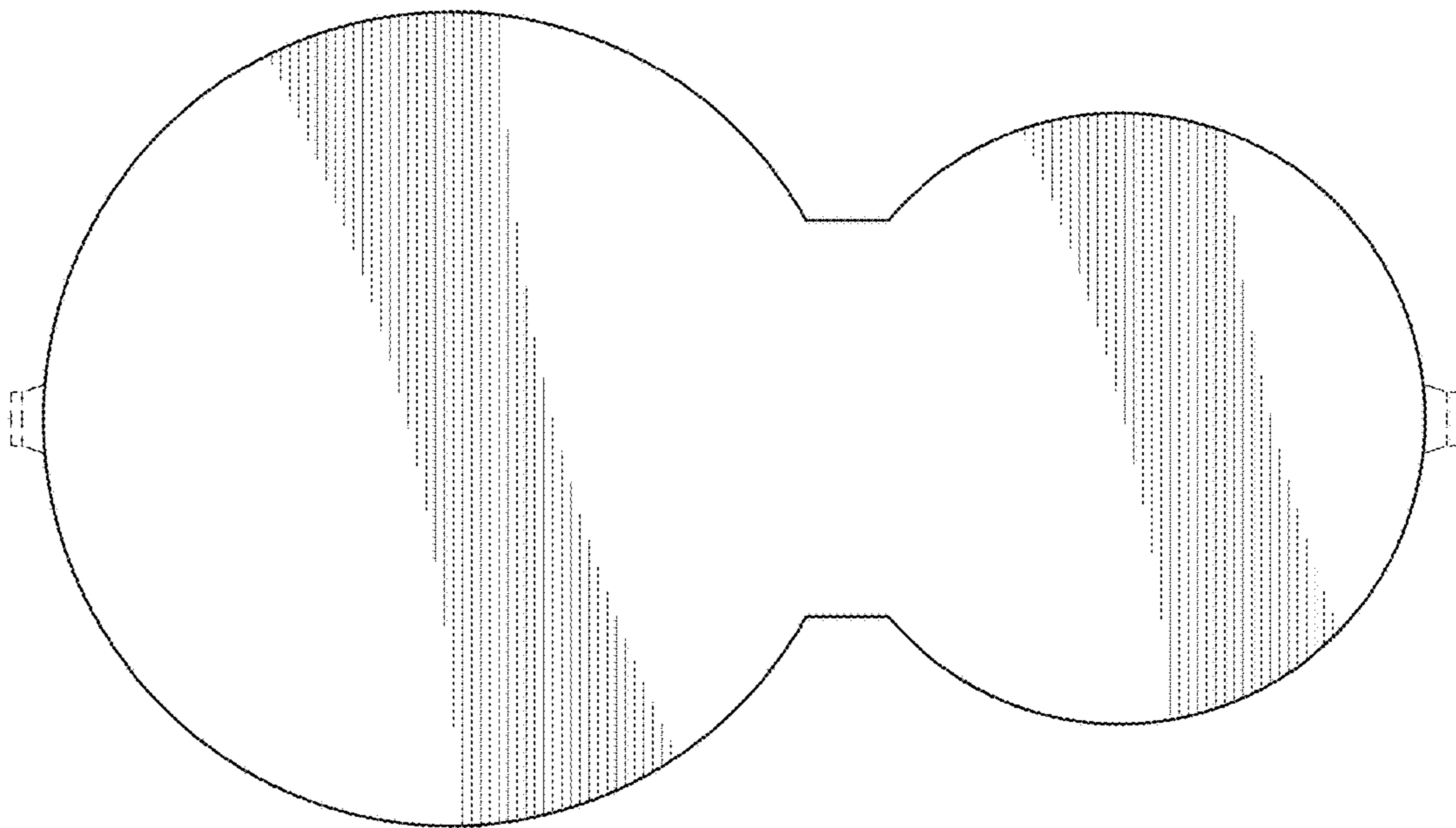


FIG. 6