



US00D808493S

(12) **United States Design Patent**  
**Lee**

(10) **Patent No.:** **US D808,493 S**  
(45) **Date of Patent:** **\*\* Jan. 23, 2018**

(54) **MAGAZINE**

(71) Applicant: **Weltone Co., Ltd.**, Seoul (KR)

(72) Inventor: **Seung Hee Lee**, Wonju-si (KR)

(73) Assignees: **D&J Limited**, Seoul (KR); **Weltone Co., Ltd.**, Seoul (KR)

(\*\*) Term: **15 Years**

(21) Appl. No.: **29/569,840**

(22) Filed: **Jun. 30, 2016**

(30) **Foreign Application Priority Data**

Jun. 14, 2016 (KR) ..... 30-2016-0028687

(51) **LOC (11) Cl.** ..... **22-01**

(52) **U.S. Cl.**  
USPC ..... **D22/108**

(58) **Field of Classification Search**  
USPC ..... D22/103, 108; D21/572-573  
CPC ..... F41A 9/70; F41A 9/65; F41A 9/71; F41A 9/68; F41A 9/69; F41A 11/02; F41A 9/61; F41A 9/00; F41A 9/17; F41A 9/23; F41A 9/34; F41A 9/84

See application file for complete search history.

(56) **References Cited**

U.S. PATENT DOCUMENTS

D706,379 S \* 6/2014 Iannello ..... D22/108  
D727,456 S \* 4/2015 Scheffer ..... D22/108  
D735,831 S \* 8/2015 Faifer ..... D22/108

\* cited by examiner

*Primary Examiner* — Michael A Pratt

(74) *Attorney, Agent, or Firm* — Novick, Kim & Lee, PLLC; Jae Youn Kim

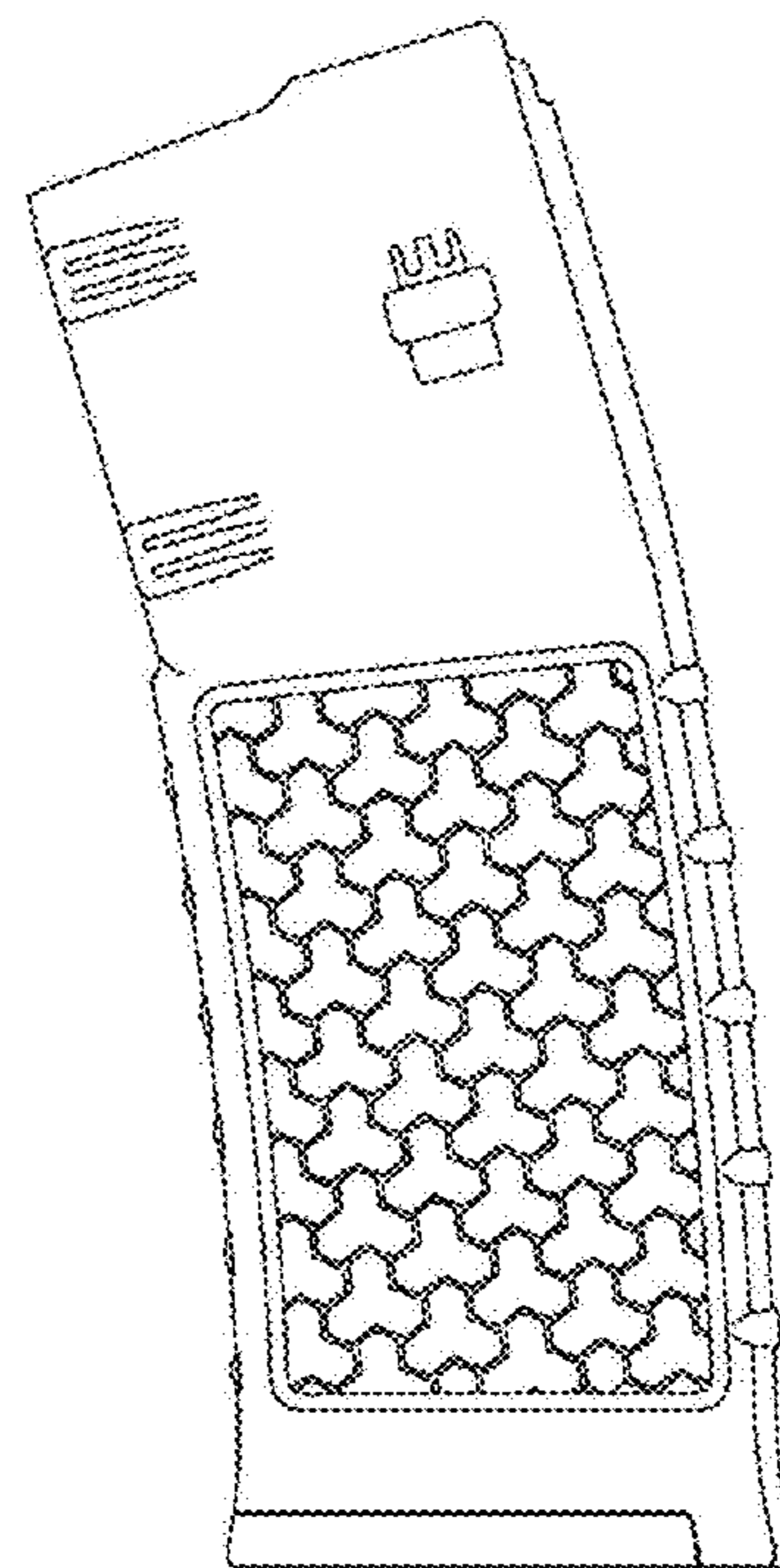
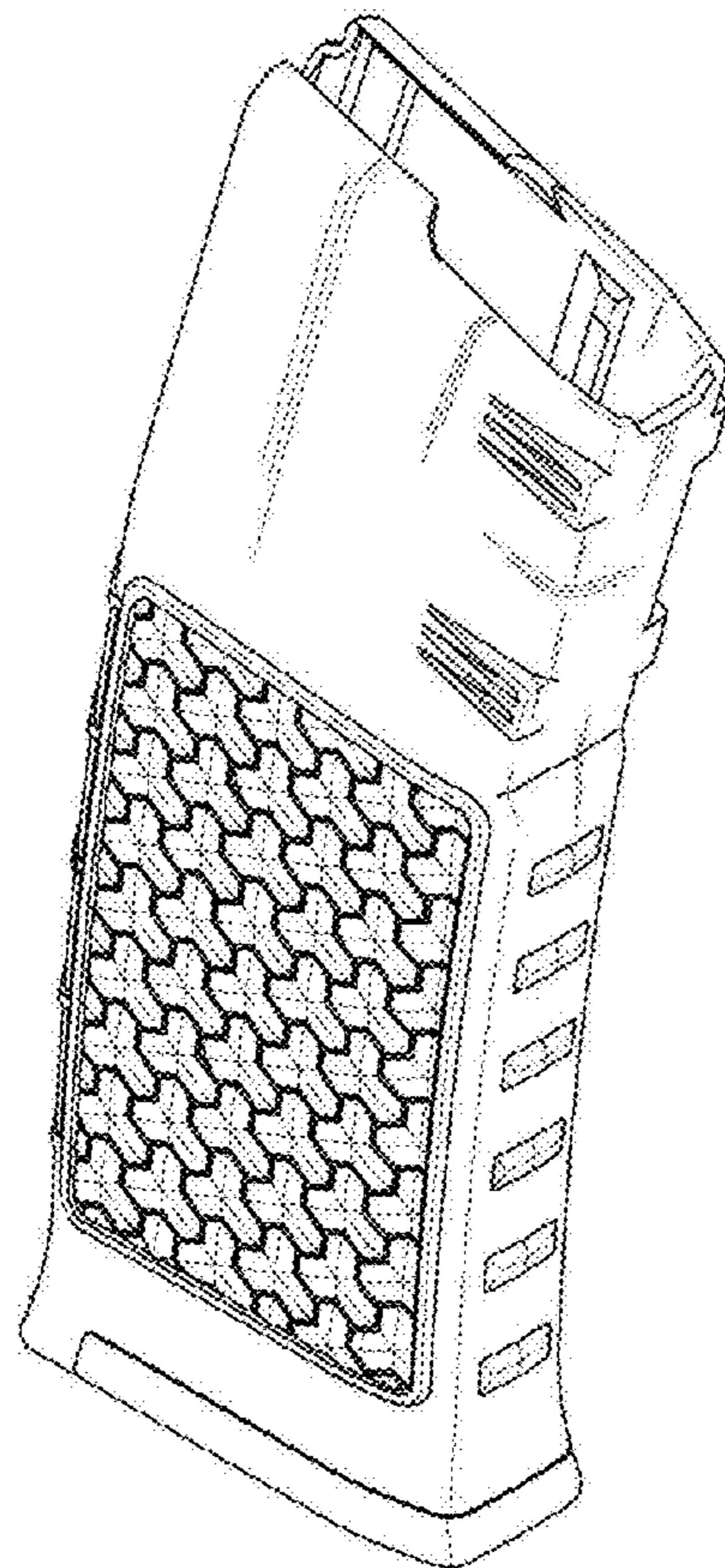
(57) **CLAIM**

I claim the ornamental design of a magazine, as shown and described.

**DESCRIPTION**

FIG. 1 is a front perspective view of a magazine, showing my new design;  
FIG. 2 is a front elevational view thereof;  
FIG. 3 is a rear elevational view thereof;  
FIG. 4 is a left side elevational view thereof;  
FIG. 5 is a right side elevational view thereof;  
FIG. 6 is a top plan view thereof; and,  
FIG. 7 is a bottom plan view thereof.

**1 Claim, 3 Drawing Sheets**



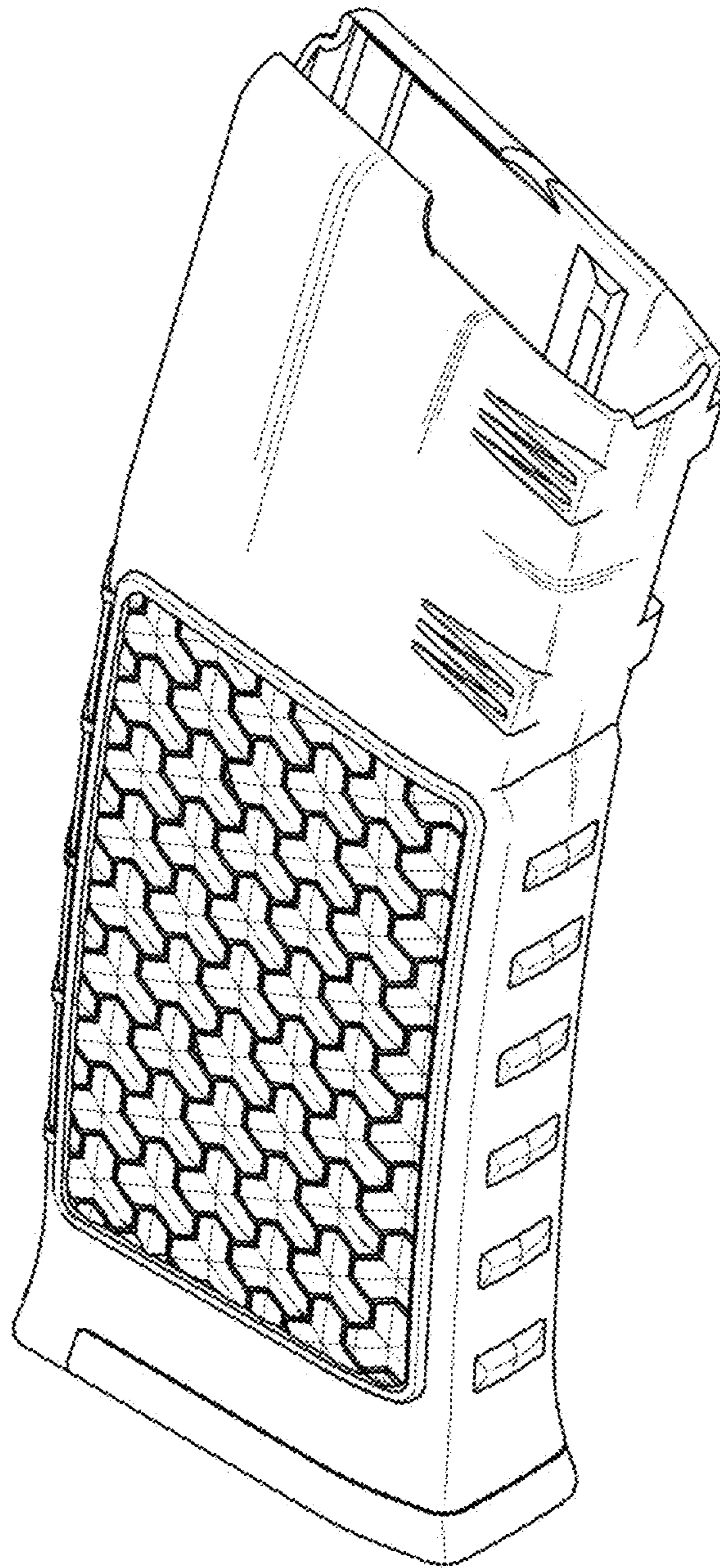


FIG. 1

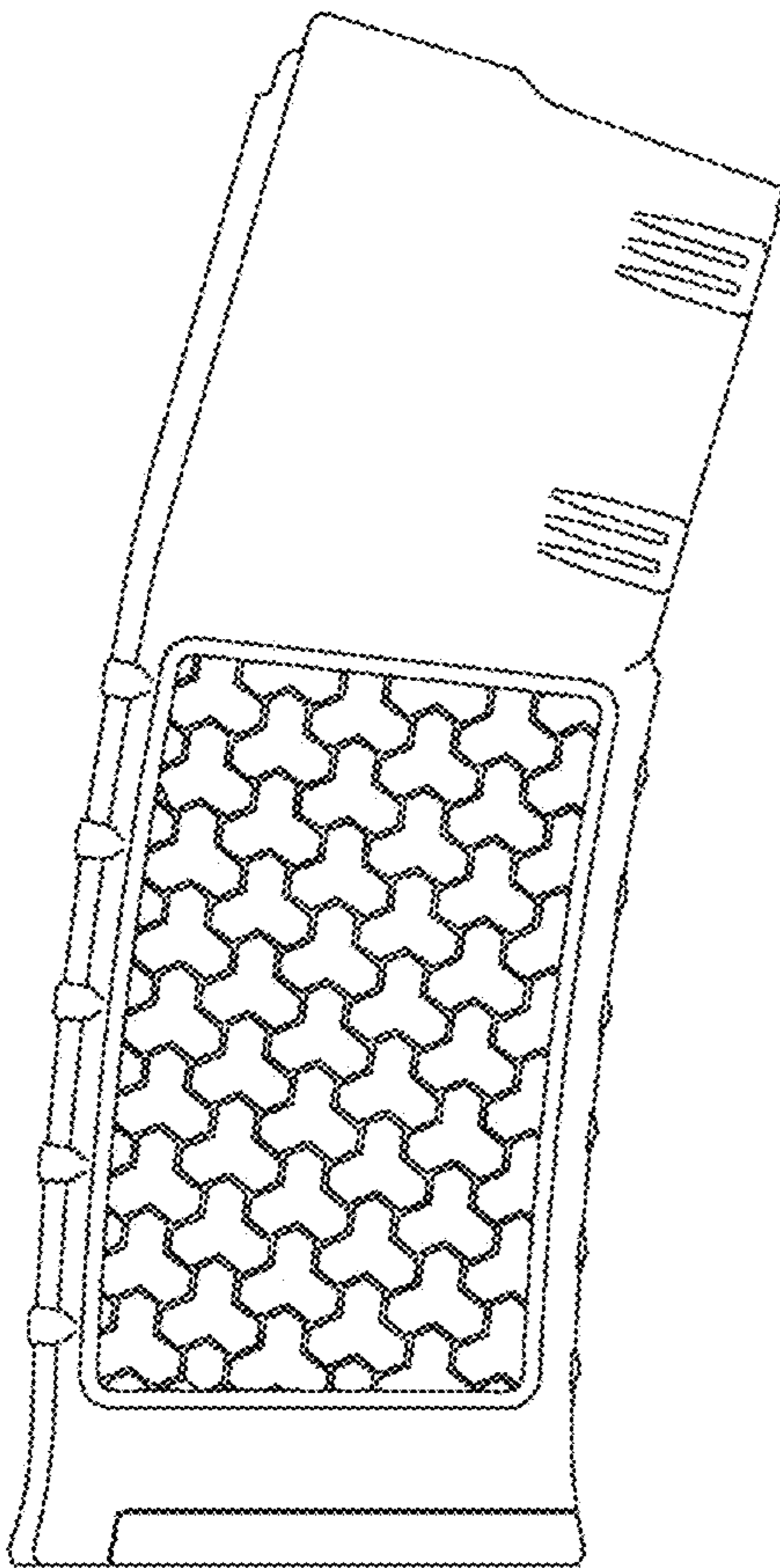


FIG. 2

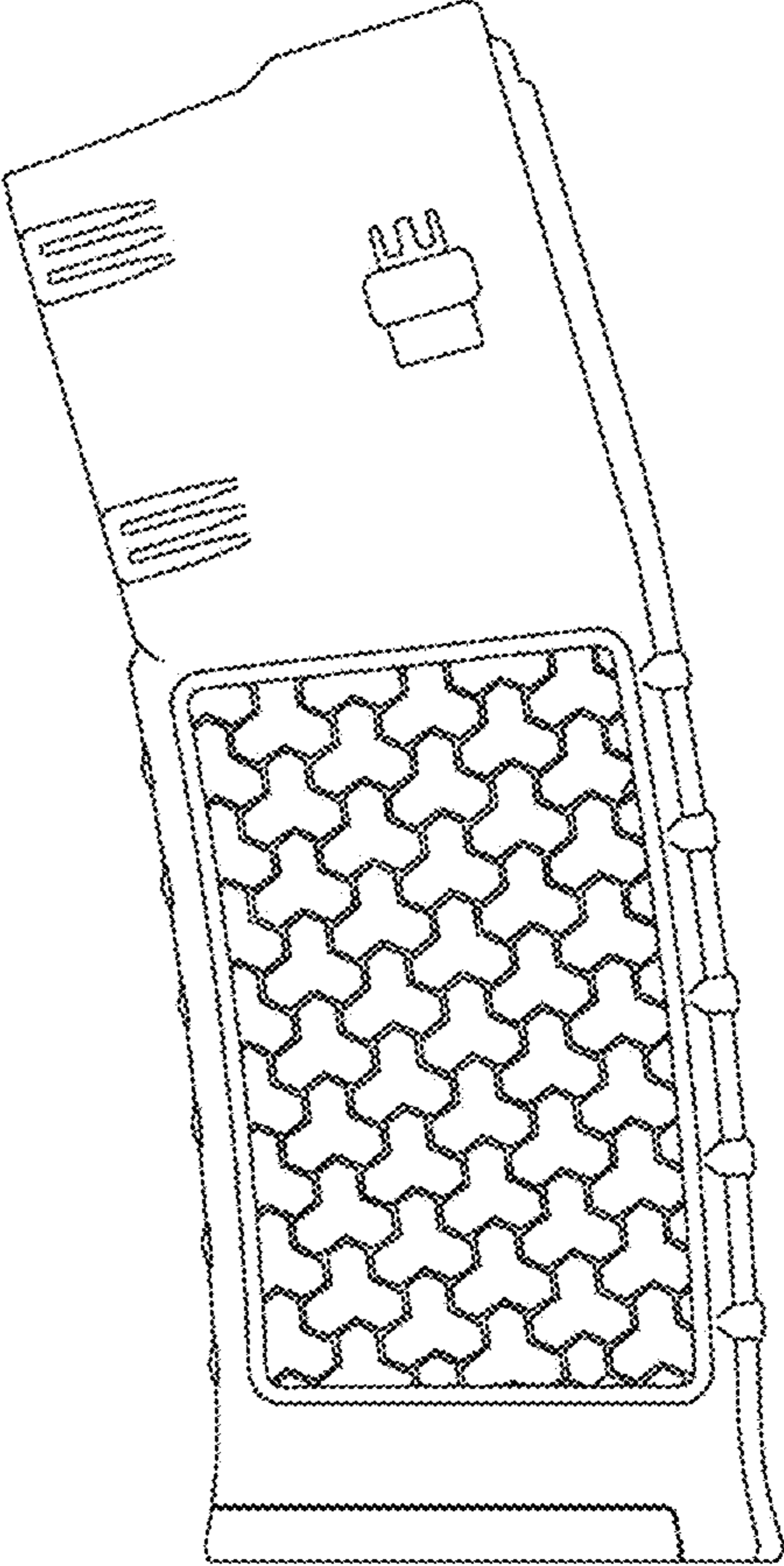


FIG. 3

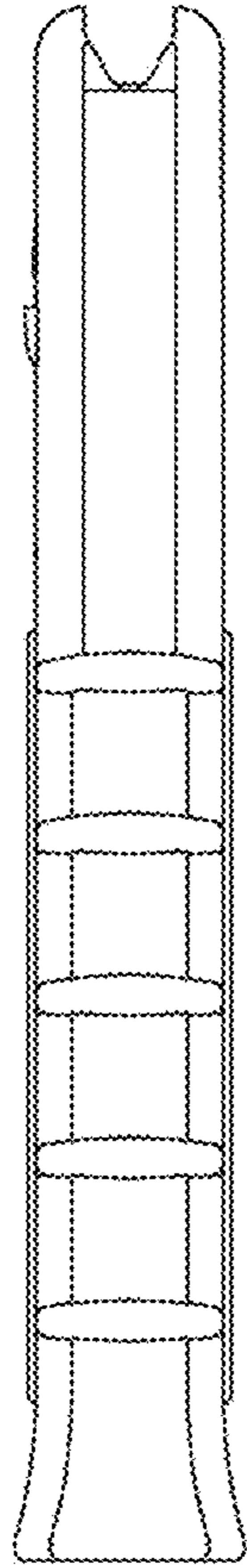


FIG. 4

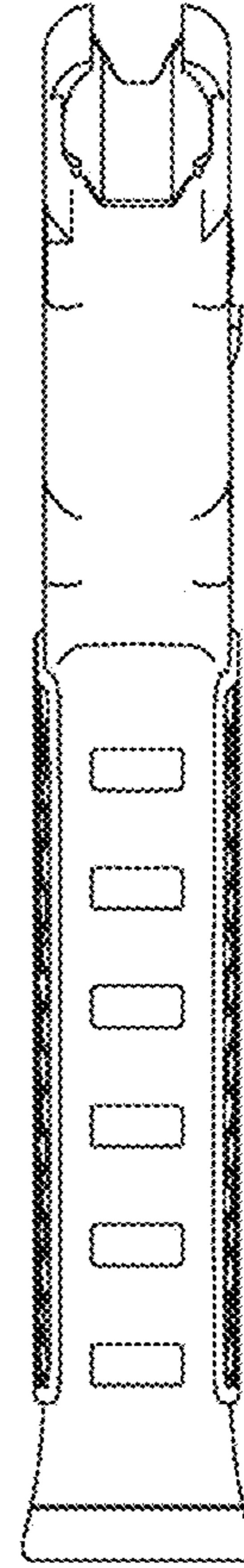


FIG. 5

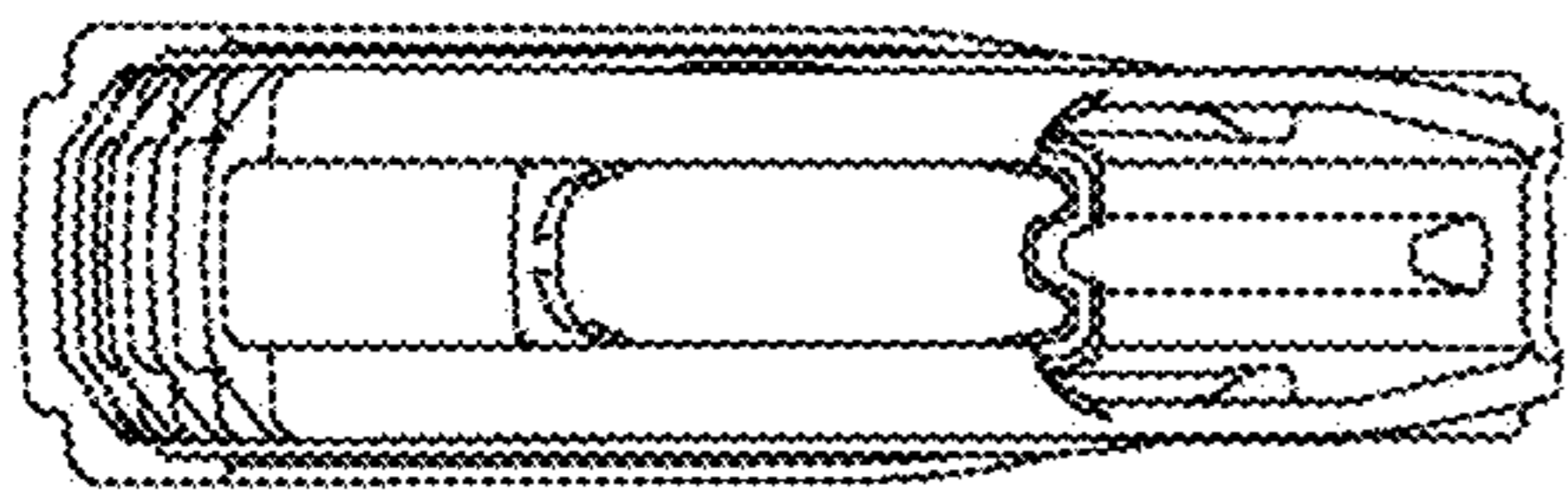


FIG. 6

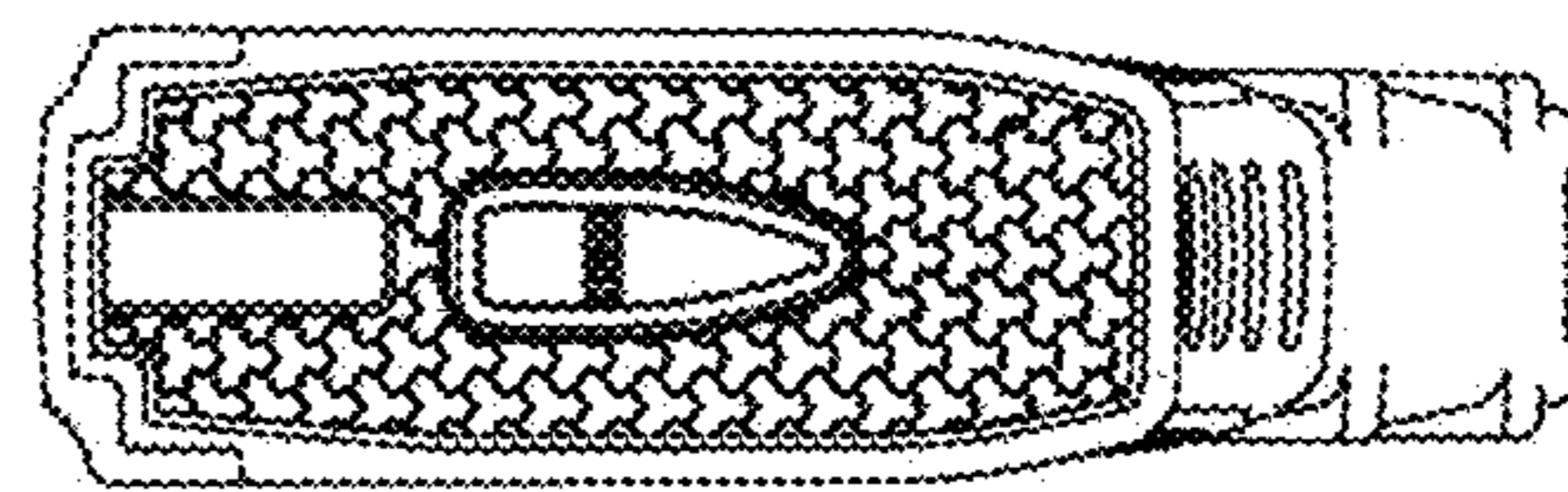


FIG. 7