



US00D808491S

(12) **United States Design Patent**
Chen

(10) **Patent No.:** **US D808,491 S**

(45) **Date of Patent:** **** *Jan. 23, 2018**

- (54) **MAGAZINE WELL FUNNEL**
- (71) Applicant: **Legacy Custom Products, Inc.**,
Durango, CO (US)
- (72) Inventor: **Stan Chen**, Durango, CO (US)
- (73) Assignee: **Legacy Custom Products, Inc.**,
Durango, CO (US)
- (*) Notice: This patent is subject to a terminal disclaimer.
- (**) Term: **15 Years**
- (21) Appl. No.: **29/562,201**
- (22) Filed: **Apr. 22, 2016**
- (51) **LOC (11) Cl.** **22-01**
- (52) **U.S. Cl.**
USPC **D22/108**
- (58) **Field of Classification Search**
USPC D22/104, 108
CPC F41C 3/14; F41C 3/16; F41C 3/04
See application file for complete search history.

- 9,354,011 B2 * 5/2016 Cooke F41A 17/063
- 9,404,709 B2 * 8/2016 Addis F41A 17/38
- 9,500,439 B1 * 11/2016 Dietrich F41A 3/72
- 9,523,554 B2 * 12/2016 Mayberry F41C 23/16
- 9,581,412 B2 * 2/2017 Cheng F41G 11/005

* cited by examiner

Primary Examiner — Michael A Pratt
(74) *Attorney, Agent, or Firm* — Sanderson IP Law, Ltd.;
Scott A. Sanderson

(57) **CLAIM**

I claim the ornamental design for a magazine well funnel, as shown and described.

DESCRIPTION

FIG. 1 is a perspective view from below of a magazine well funnel according to our new design.

FIG. 2 is a perspective view from above of a magazine well funnel according to our new design.

FIG. 3 is a top view of a magazine well funnel according to our new design.

FIG. 4 is a front view of a magazine well funnel according to our new design.

FIG. 5 is a left side view of a magazine well funnel according to our new design, the right side view being a mirror image thereof.

FIG. 6 is a back view of a magazine well funnel according to our new design.

FIG. 7 is a bottom view of a magazine well funnel according to our new design; and,

FIG. 8 is a side view of a magazine well funnel according to our new design inserted into a pistol.

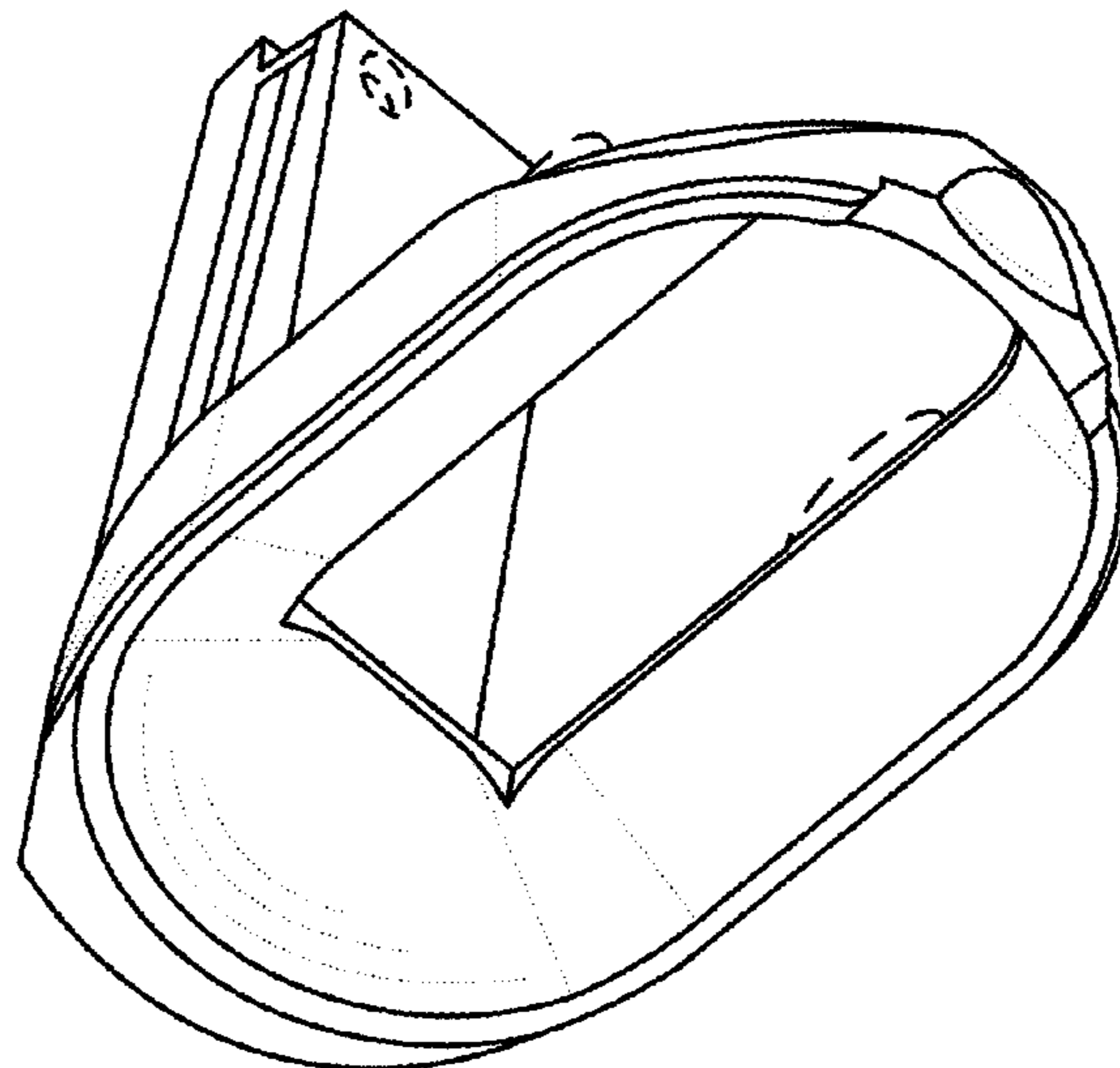
The broken lines shown in each of FIGS. 1-6 and 8 depict one or more of a stabilization tab, a pin hole, and pistol body, all of which form no part of the claimed design in FIGS. 1-6 and 8.

(56) **References Cited**

U.S. PATENT DOCUMENTS

- 5,584,136 A * 12/1996 Boland F41A 9/71
42/50
- 6,481,138 B1 * 11/2002 Roca F41A 17/063
42/70.06
- 7,191,556 B2 * 3/2007 Pikielny F41C 23/10
42/50
- 8,127,480 B1 * 3/2012 McManus F41A 9/61
42/49.02
- 8,832,987 B2 * 9/2014 Addis F41A 17/38
42/49.01

1 Claim, 8 Drawing Sheets



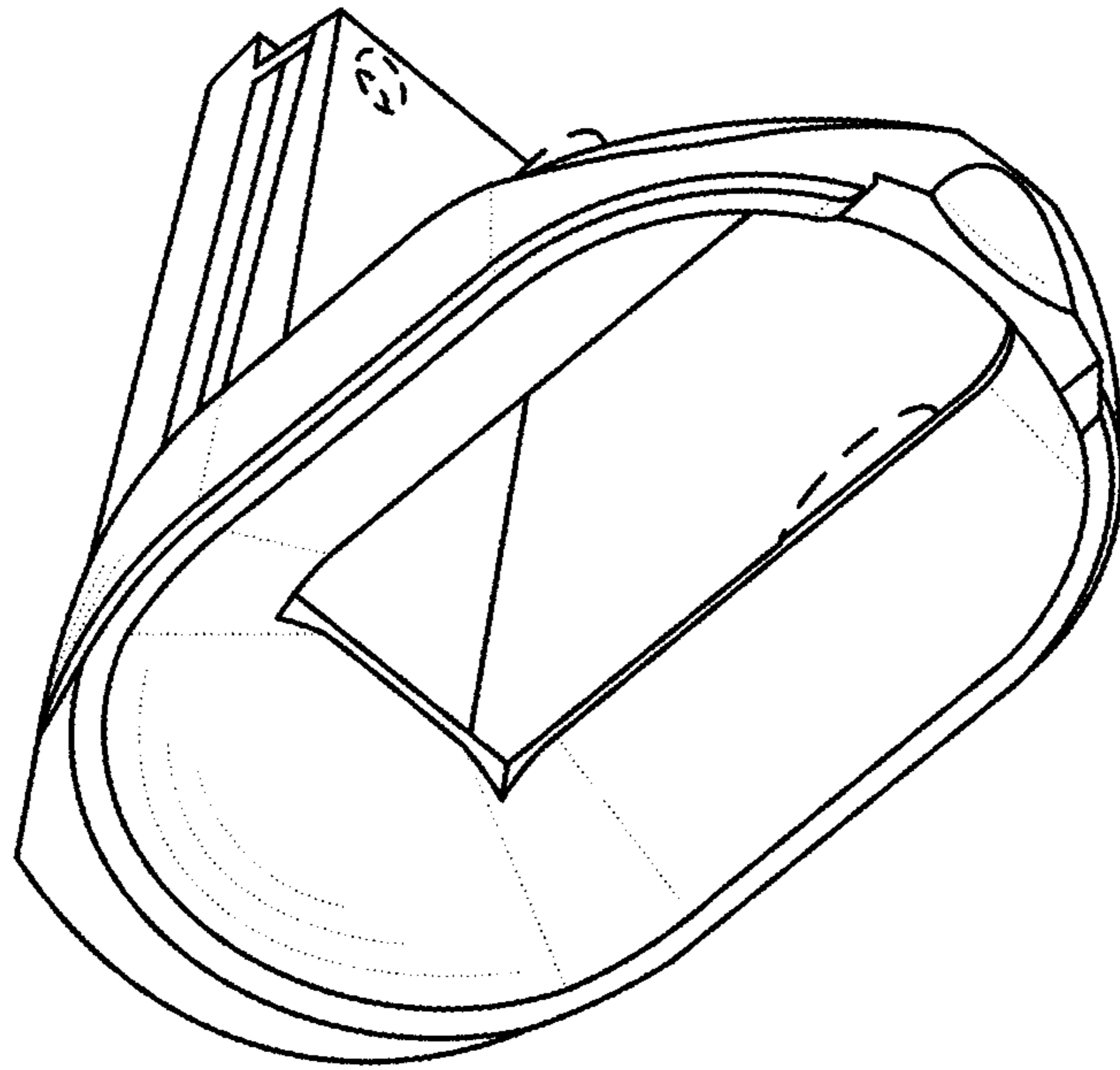


FIG. 1

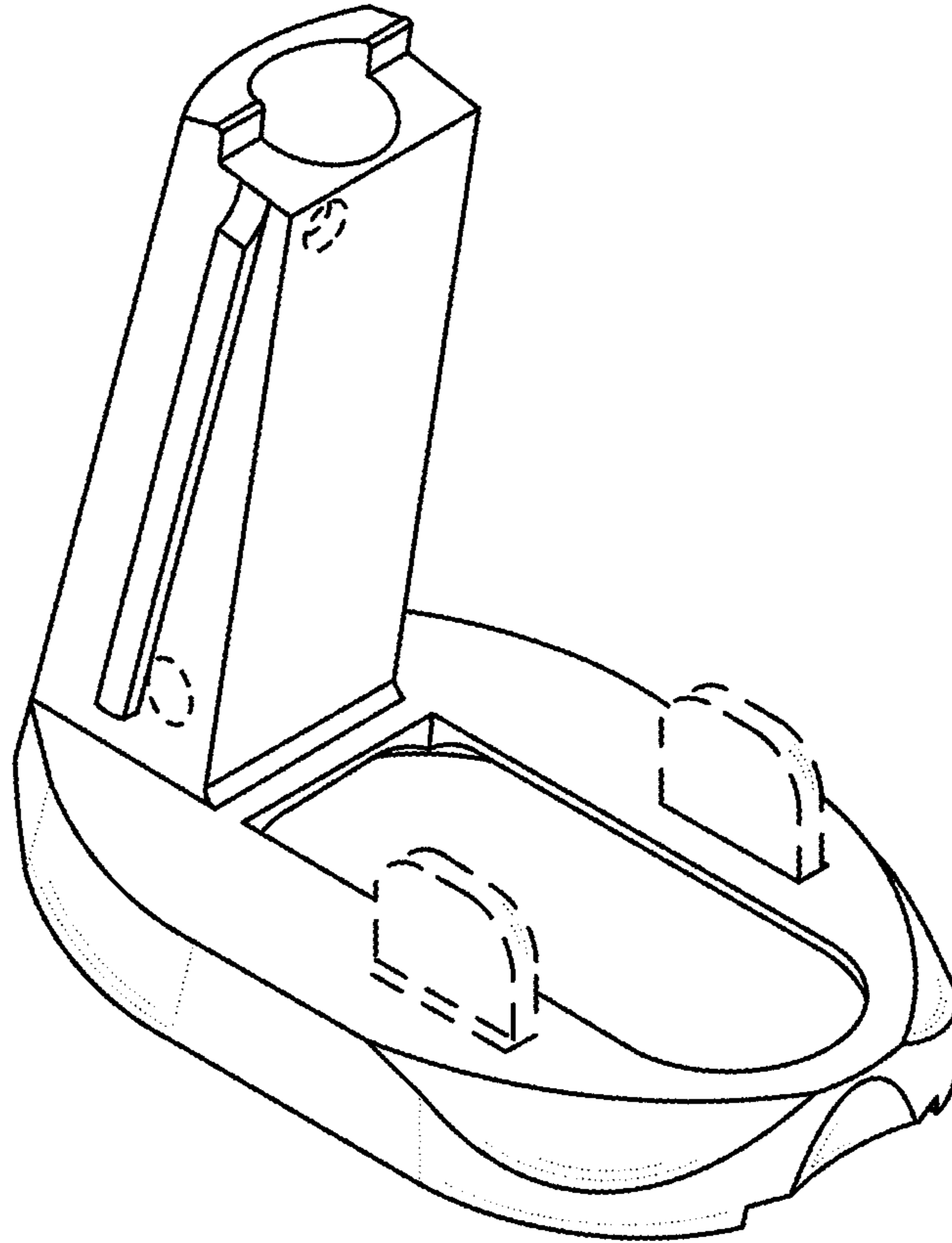


FIG. 2

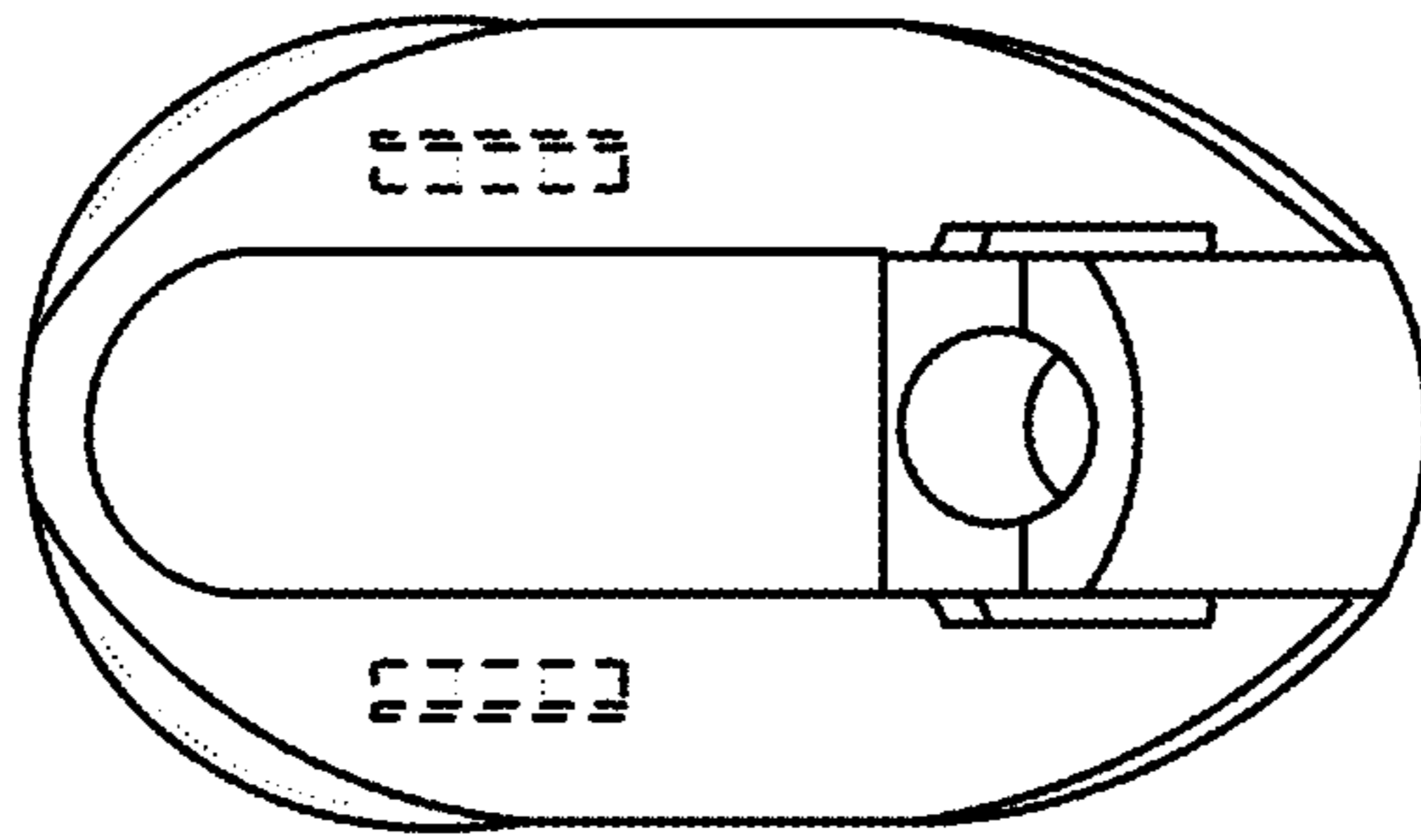


FIG. 3

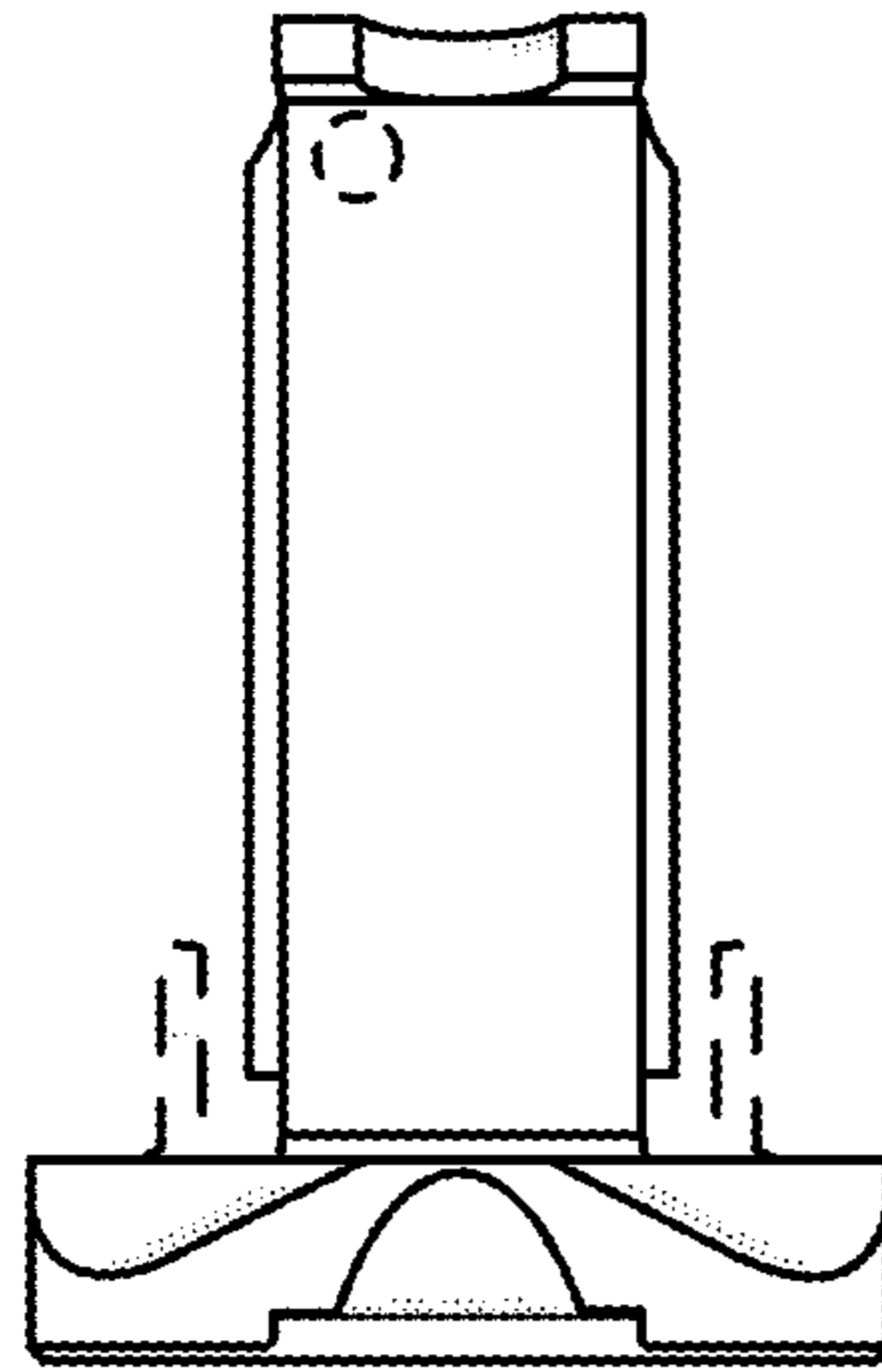


FIG. 4

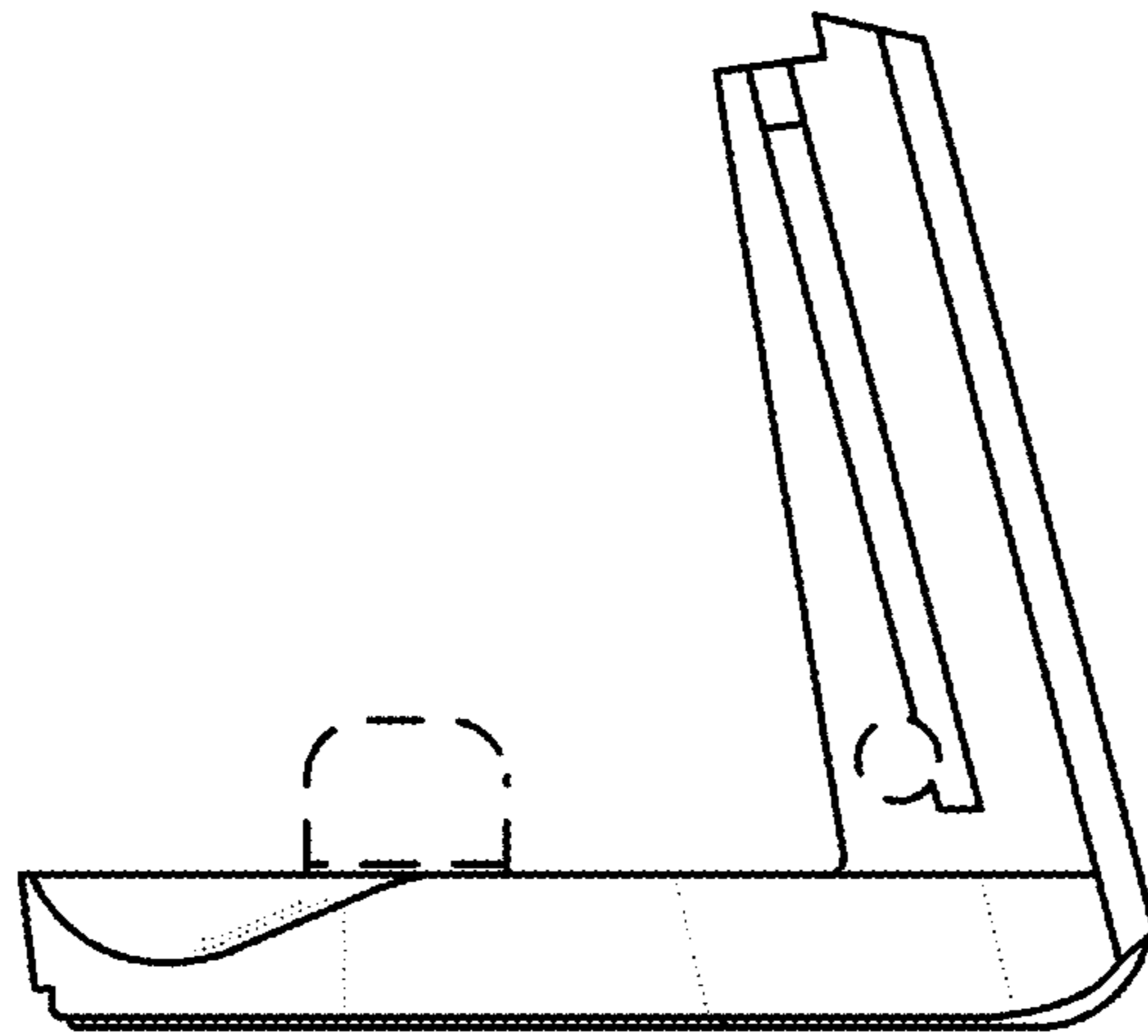


FIG. 5

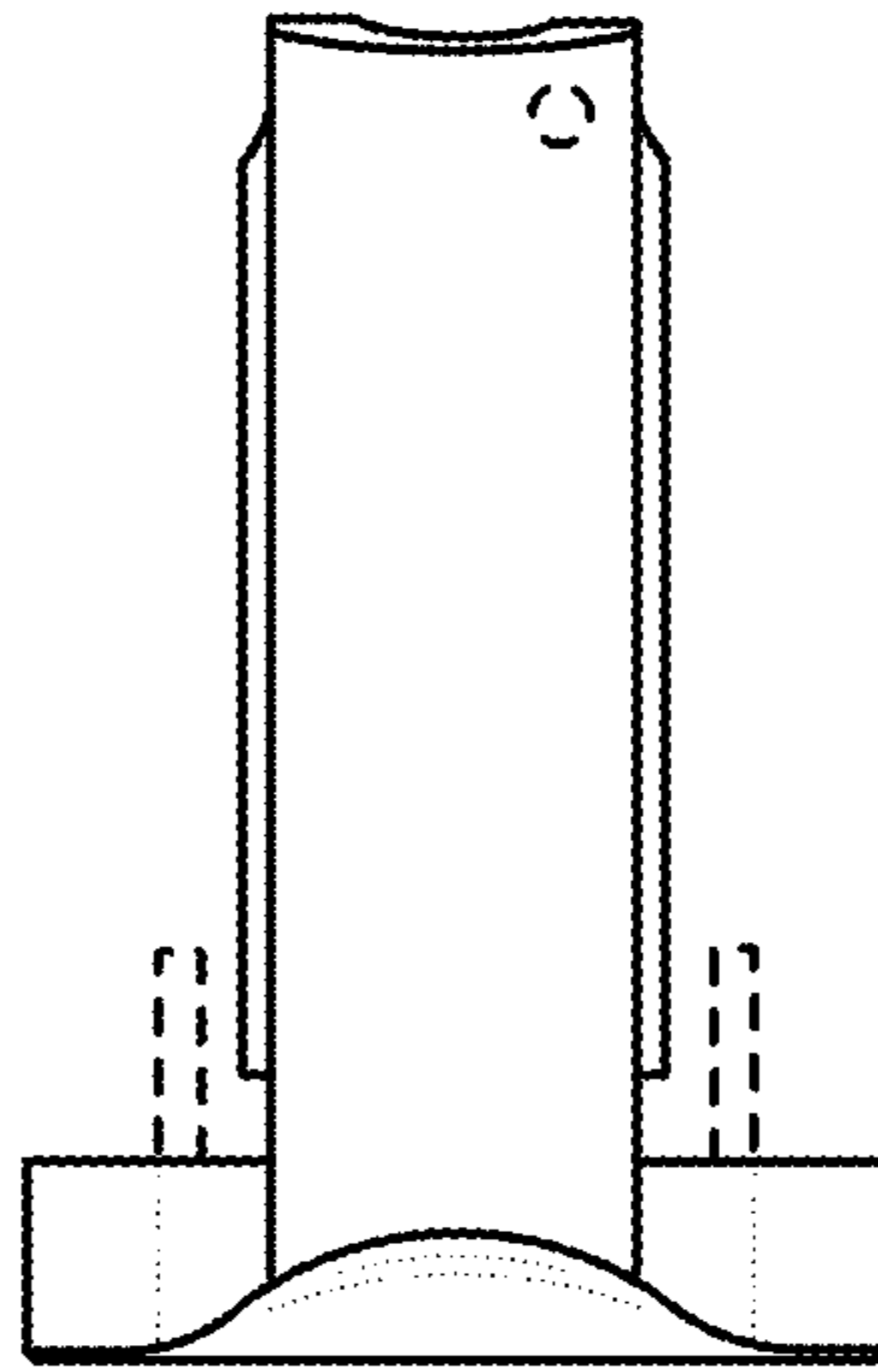


FIG. 6

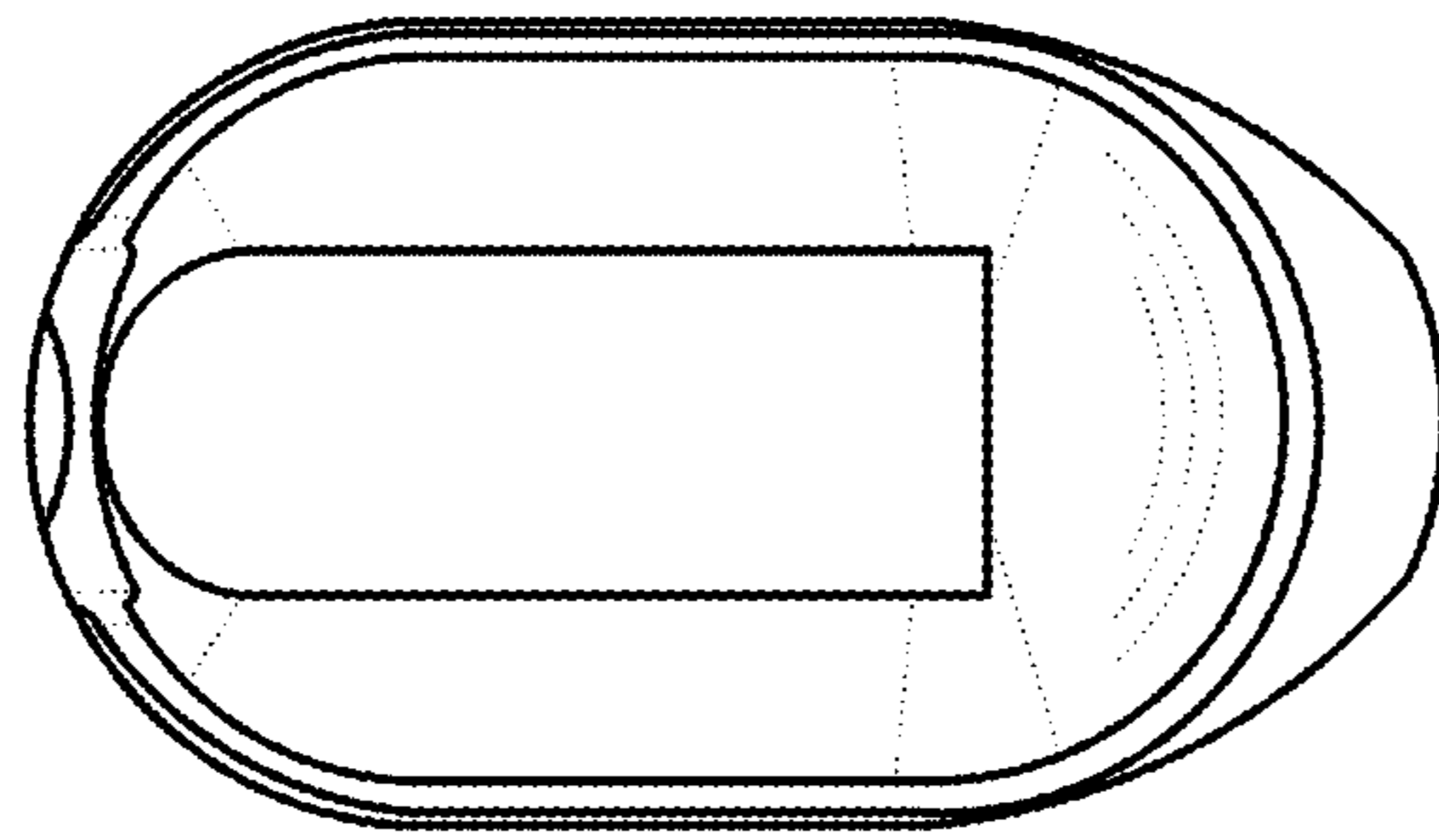


FIG. 7

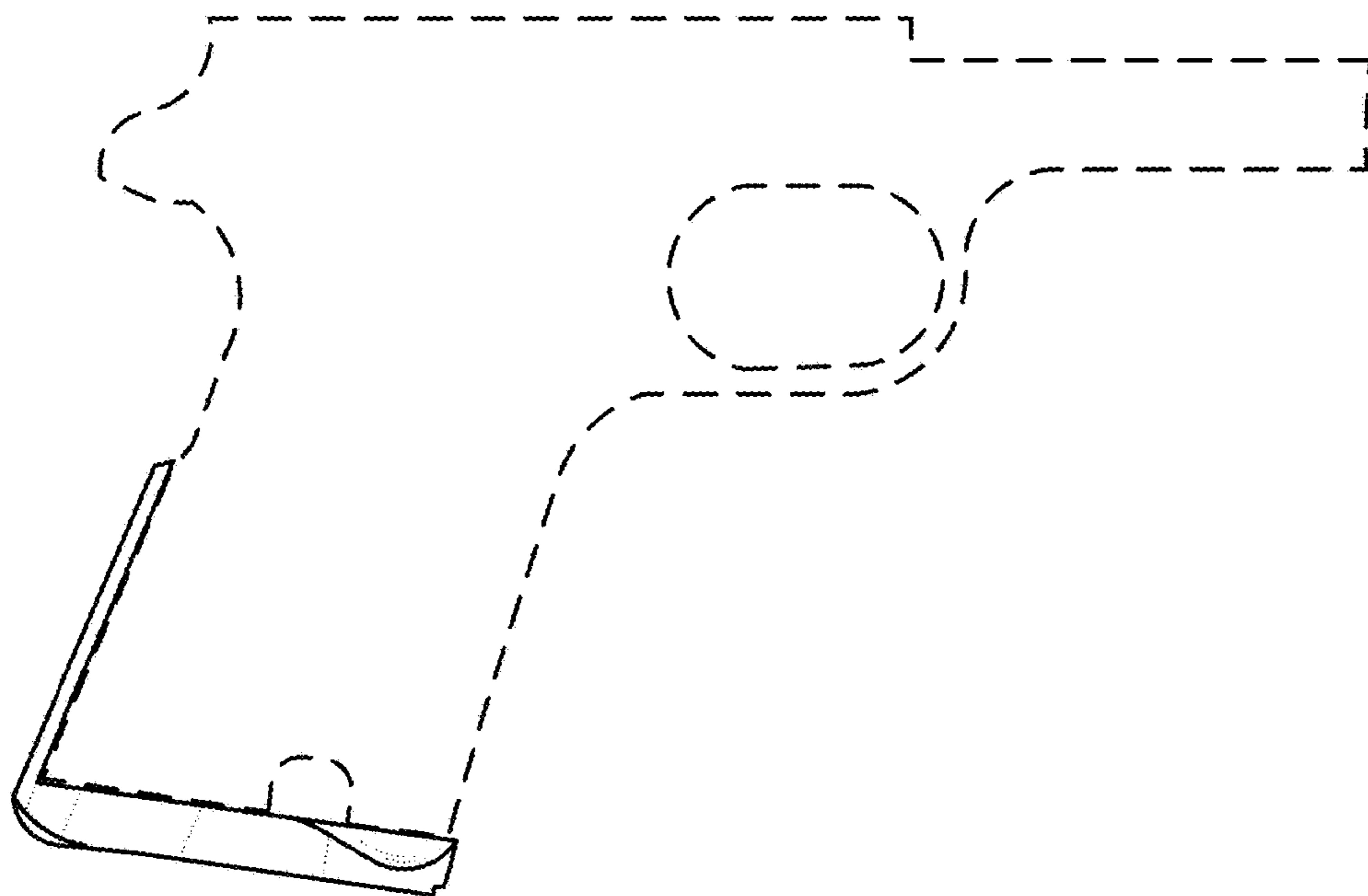


FIG. 8