



US00D808488S

(12) **United States Design Patent**  
**Morrell**

(10) **Patent No.:** **US D808,488 S**

(45) **Date of Patent:** **\*\* Jan. 23, 2018**

- (54) **ARCHERY PEEP SIGHT**
- (71) Applicant: **Dale A. Morrell**, Alma, AR (US)
- (72) Inventor: **Dale A. Morrell**, Alma, AR (US)
- (\*\*) Term: **15 Years**
- (21) Appl. No.: **29/569,277**
- (22) Filed: **Jun. 24, 2016**
- (51) **LOC (11) Cl.** ..... **22-01**
- (52) **U.S. Cl.**  
USPC ..... **D22/107**
- (58) **Field of Classification Search**  
USPC ..... D22/107; D21/571, 575  
CPC .. F41B 5/1403; F41B 5/10; F41B 5/14; F41B  
5/0031; F41B 5/00; F41B 5/1484; F41B  
5/1426; F16F 7/108  
See application file for complete search history.

5,450,673 A	9/1995	Denton	
5,542,186 A	8/1996	Saunders	
5,669,146 A	9/1997	Beutler	
5,787,870 A	8/1998	Summers et al.	
6,170,164 B1	1/2001	Knowles	
6,282,800 B1	9/2001	Beutler	
6,628,464 B1	9/2003	Johnson	
6,860,021 B1	3/2005	Connelly, III	
6,981,329 B1	1/2006	Strathman	
7,040,027 B1	5/2006	Shaffer et al.	
7,047,652 B1	5/2006	Chipman	
7,543,389 B2	6/2009	Grace, Jr.	
7,543,390 B2	6/2009	Bach	
D632,356 S *	2/2011	Jones	D22/107
8,453,336 B2	6/2013	LoRocco	

(Continued)

*Primary Examiner* — Michael A Pratt

(74) *Attorney, Agent, or Firm* — Boyd D. Cox

(57) **CLAIM**

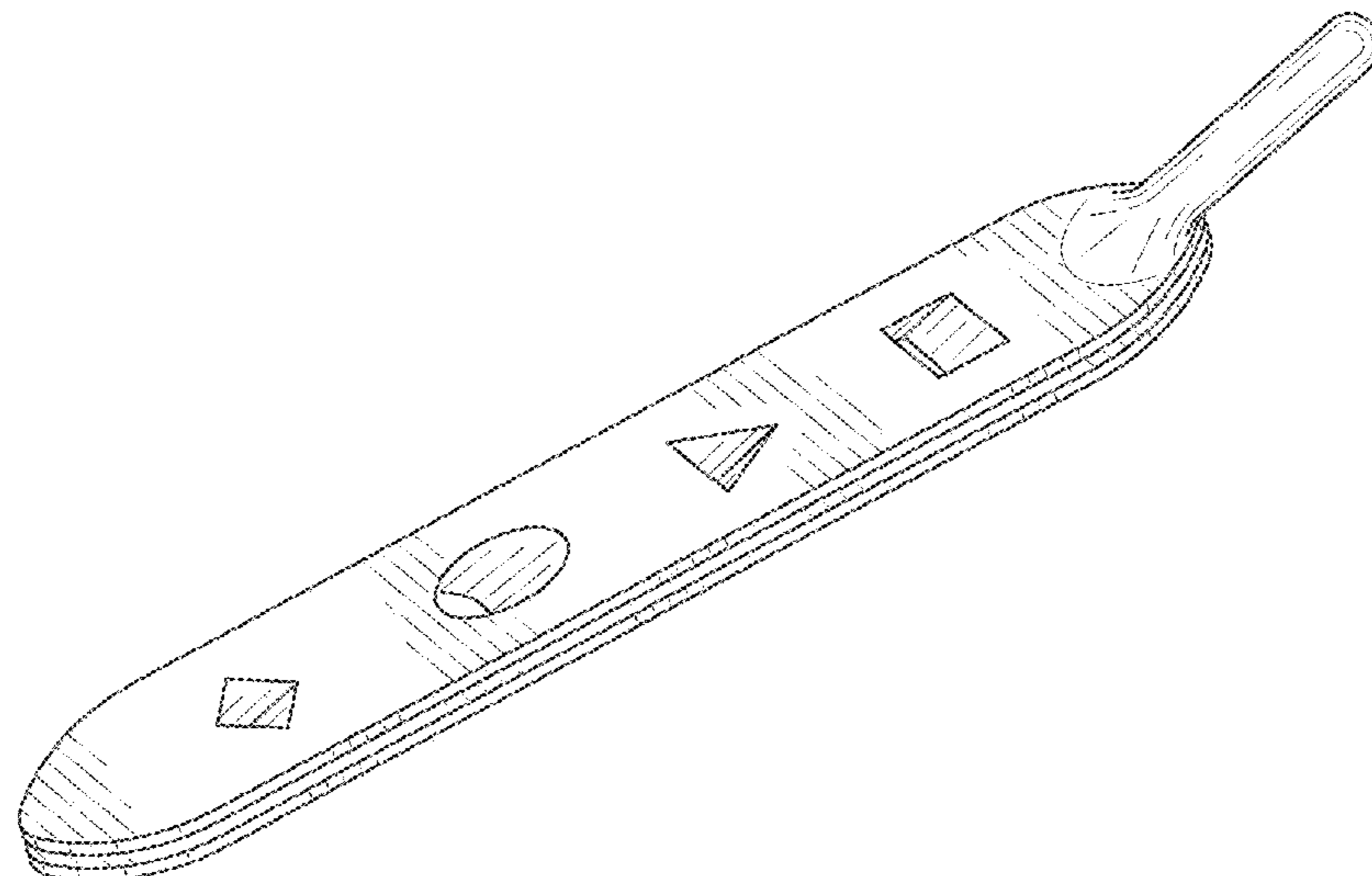
The ornamental design for a archery peep sight, as shown.

**DESCRIPTION**

FIG. 1 is a front, top and right side perspective view of the archery peep sight of the present invention;  
 FIG. 2 is a back, bottom and left side perspective view of the archery peep sight of FIG. 1;  
 FIG. 3 is a top plan view of the archery peep sight of FIG. 1;  
 FIG. 4 is a bottom plan view of the archery peep sight of FIG. 1;  
 FIG. 5 is a right side elevational view of the archery peep sight of FIG. 1;  
 FIG. 6 is a left side elevational view of the archery peep sight of FIG. 1;  
 FIG. 7 is front elevational view of the archery peep sight of FIG. 1; and,  
 FIG. 8 is a back elevational view of the archery peep sight of FIG. 1.

**1 Claim, 3 Drawing Sheets**

- (56) **References Cited**  
U.S. PATENT DOCUMENTS
- 3,410,644 A \* 11/1968 McLendon ..... F41G 1/467  
124/24.1
- 3,703,771 A \* 11/1972 Saunders ..... F41G 1/08  
124/90
- 4,011,853 A 3/1977 Fletcher
- 4,454,857 A 6/1984 Miller et al.
- 4,563,821 A 1/1986 Saunders
- 4,656,747 A 4/1987 Troncoso
- 4,833,786 A 5/1989 Shores, Sr.
- 4,860,458 A 8/1989 Ernstsens
- 4,895,129 A 1/1990 Hedgpeth
- 4,965,938 A 10/1990 Saunders
- 5,157,839 A \* 10/1992 Beutler ..... F41G 1/467  
33/265
- D344,123 S \* 2/1994 Bertram ..... 33/265
- 5,325,598 A 7/1994 Hall et al.
- 5,347,976 A 9/1994 Saunders
- D362,483 S \* 9/1995 Skillern, Jr. .... D22/100



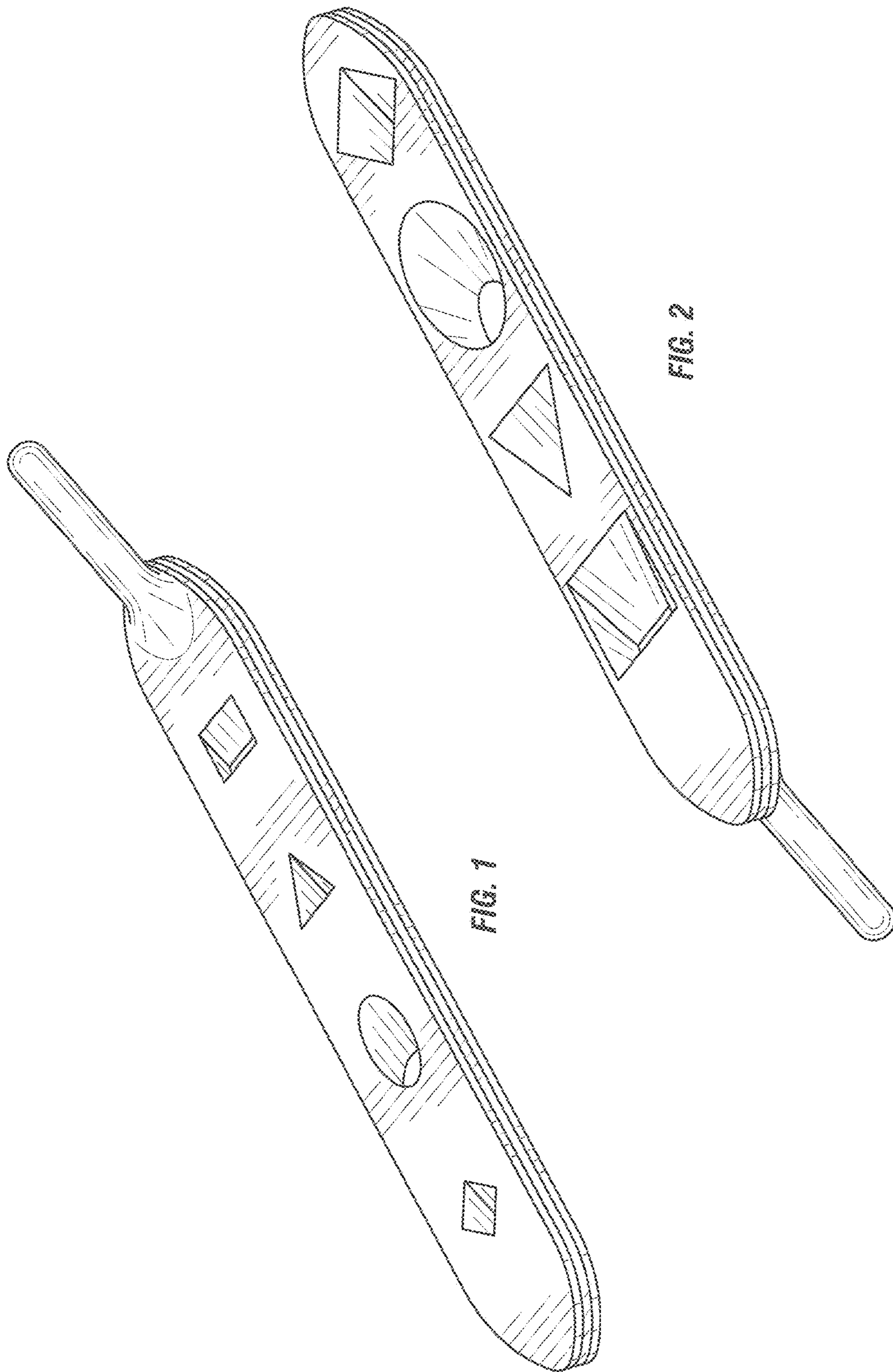
(56)

**References Cited**

U.S. PATENT DOCUMENTS

8,544,180	B2	10/2013	Minica	
D781,981	S *	3/2017	Wolf .....	D22/107
9,638,494	B1 *	5/2017	Murphy .....	F41G 1/033
D797,231	S *	9/2017	Lemburg .....	D22/107
2008/0066328	A1 *	3/2008	Bohn .....	F41G 1/467
				33/265
2017/0082401	A1 *	3/2017	Wolf .....	F41G 1/467

\* cited by examiner



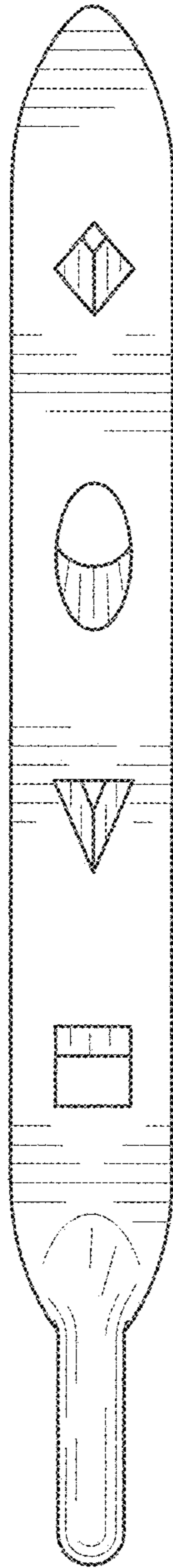


FIG. 3

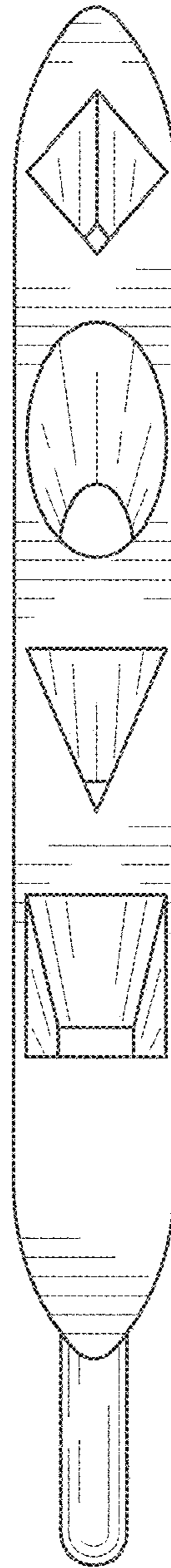


FIG. 4



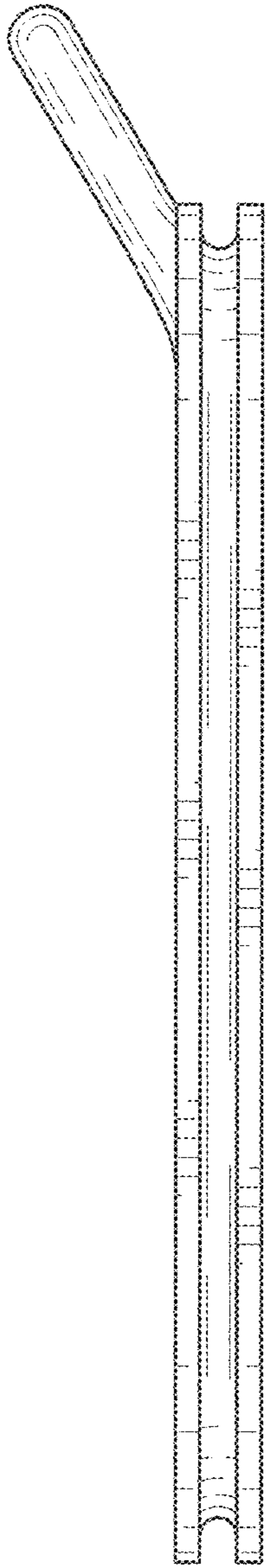


FIG. 5

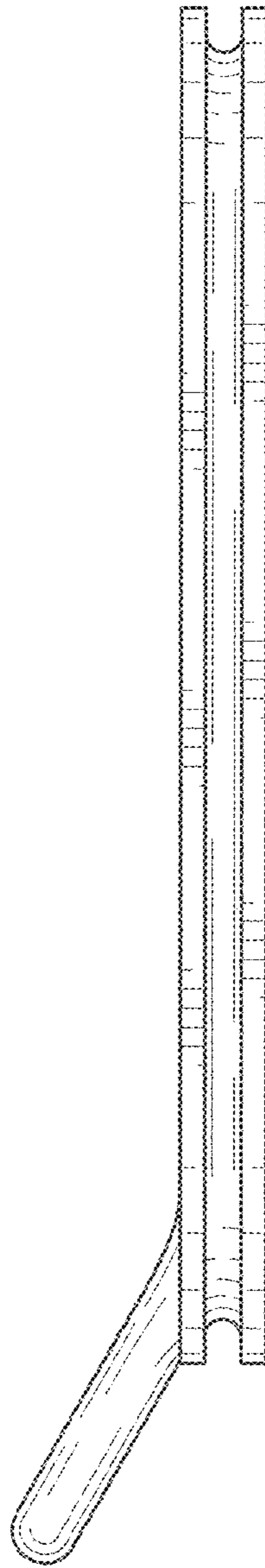


FIG. 6

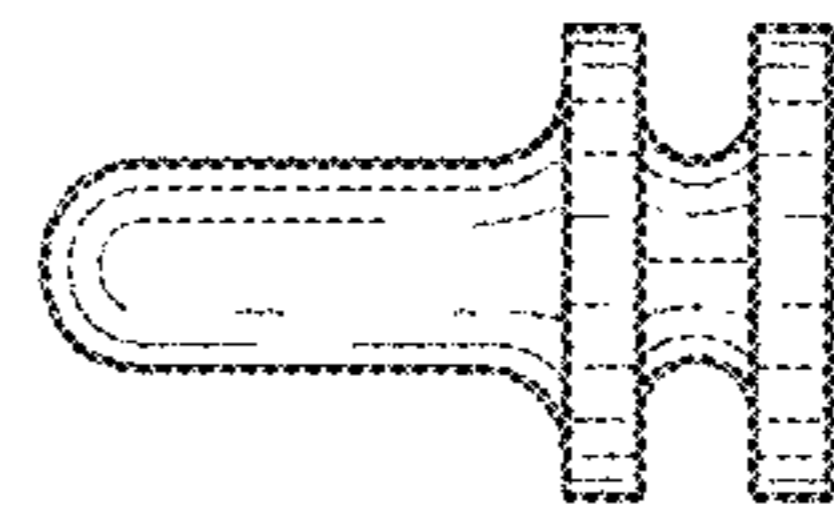


FIG. 7

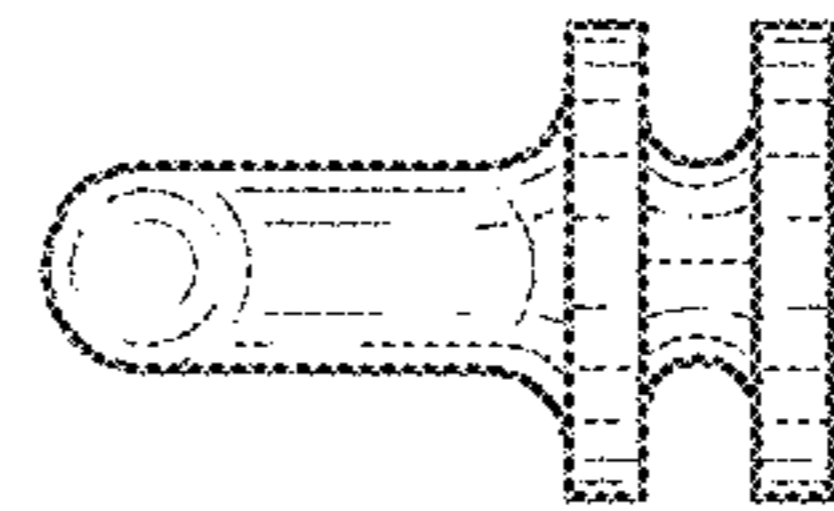


FIG. 8