



US00D808487S

(12) **United States Design Patent**
Beville et al.

(10) **Patent No.:** **US D808,487 S**
(45) **Date of Patent:** **** Jan. 23, 2018**

(54) **SEMI-AUTOMATIC PISTOL**

(71) Applicant: **FN America, LLC**, McLean, VA (US)

(72) Inventors: **John Michael Beville**, Blythewood, SC (US); **Jonathan Howard Derrick**, Columbia, SC (US); **Olivier Holger Costet**, Columbia, SC (US); **Douglas Alan Shaffer**, Columbia, SC (US); **Charles Neil Davenport, Jr.**, Columbia, SC (US); **Luke Randel Howlett**, Camden, SC (US)

(73) Assignee: **F.N. Herstal, SA**, Herstal (BE)

(**) Term: **15 Years**

(21) Appl. No.: **29/552,490**

(22) Filed: **Jan. 22, 2016**

(51) **LOC (11) Cl.** **22-01**

(52) **U.S. Cl.**
USPC **D22/104**

(58) **Field of Classification Search**
USPC D22/104, 199; D21/573, 574
CPC F41C 3/04; F41C 3/14; F41C 3/16
See application file for complete search history.

(56) **References Cited**

U.S. PATENT DOCUMENTS

D503,207 S *	3/2005	Salva	D22/104
D505,476 S *	5/2005	McGarry	D22/104
D598,065 S *	8/2009	Vukovic	D22/104
D627,028 S *	11/2010	Coulombier	D22/104
D671,610 S *	11/2012	Nebeker	D22/104
D681,131 S *	4/2013	Su	D21/574
D688,764 S *	8/2013	Yigit	D22/104
D744,049 S *	11/2015	Chu	D21/574
D772,364 S *	11/2016	Kedairy	D22/104

OTHER PUBLICATIONS

Tactical-Life, 14 New Compact & Subcompact Handguns For 2015, Feb. 25, 2015, [site visited Dec. 4, 2016], Available on the Internet

URL:<<http://www.tactical-life.com/firearms/compact-backup-handguns-2015/#cbh-2015-fn>>.*
Images of prior art gun at least 20 years old; Steyr Model 1911.
Images of prior art gun at least 20 years old; Smith & Wesson Model 636.

* cited by examiner

Primary Examiner — Karen S Acker
Assistant Examiner — Steven B Reinholdt, Jr.
(74) *Attorney, Agent, or Firm* — Nexsen Pruet, LLC; Michael A. Mann

(57) **CLAIM**

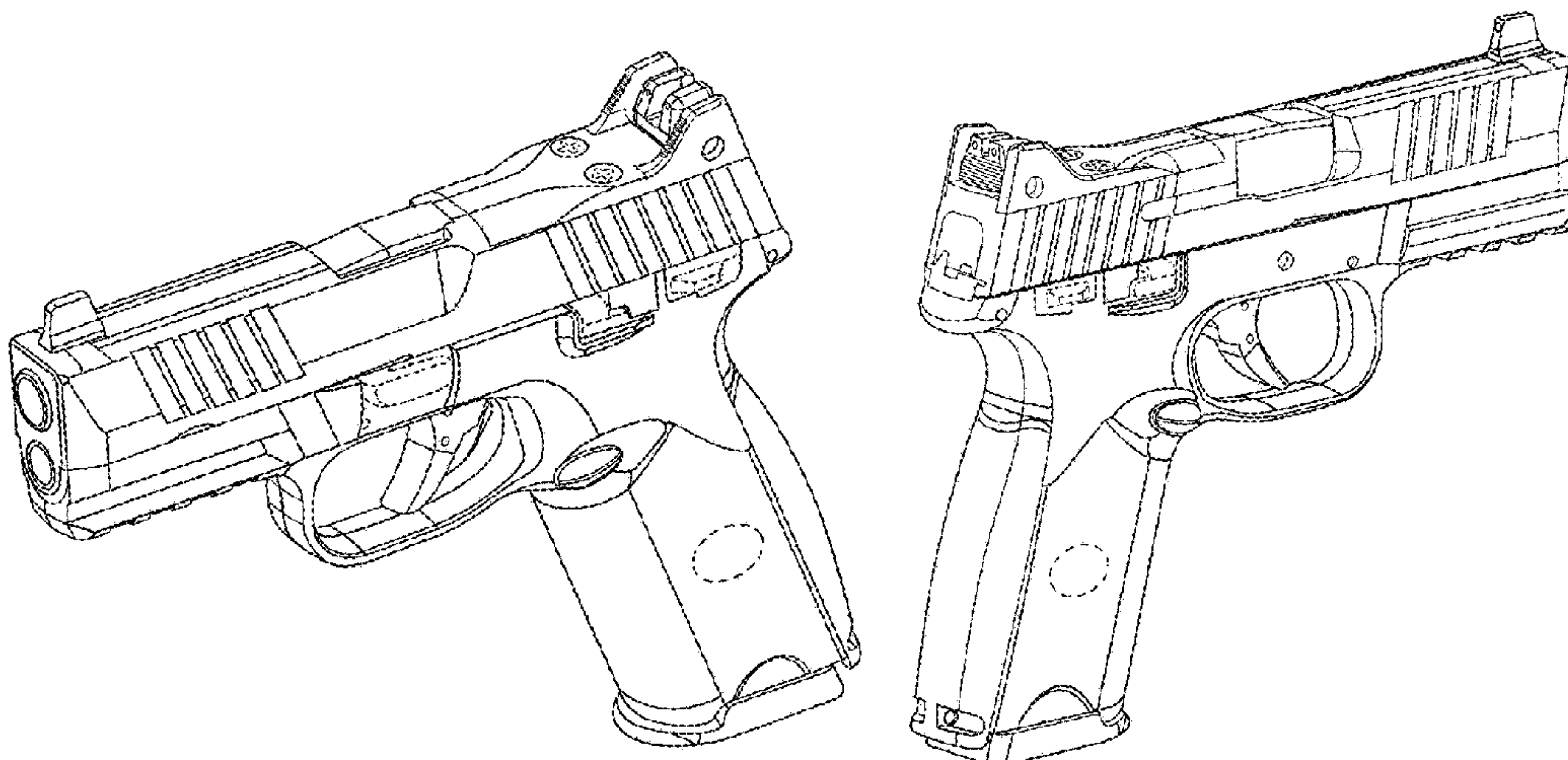
The ornamental design for a semi-automatic pistol, as shown and described.

DESCRIPTION

FIG. 1 is a top left side perspective view of the semi-automatic pistol according to our design;
FIG. 2 is a top right side perspective detailed view of the semi-automatic pistol according to our design;
FIG. 3 is bottom right side perspective view of the semi-automatic pistol according to our design;
FIG. 4 is bottom left side perspective view of the semi-automatic pistol according to our design;
FIG. 5 is a left side view of the semi-automatic pistol according to our design;
FIG. 6 is a right view of the semi-automatic pistol according to our design;
FIG. 7 is a front view of the semi-automatic pistol according to our design;
FIG. 8 is a rear view of the semi-automatic pistol according to our design;
FIG. 9 is a top view of the semi-automatic pistol according to our design; and,
FIG. 10 is a bottom view of the semi-automatic pistol according to our design.

The broken lines represent portions of the semi-automatic pistol that form no part of the claimed design.

1 Claim, 8 Drawing Sheets



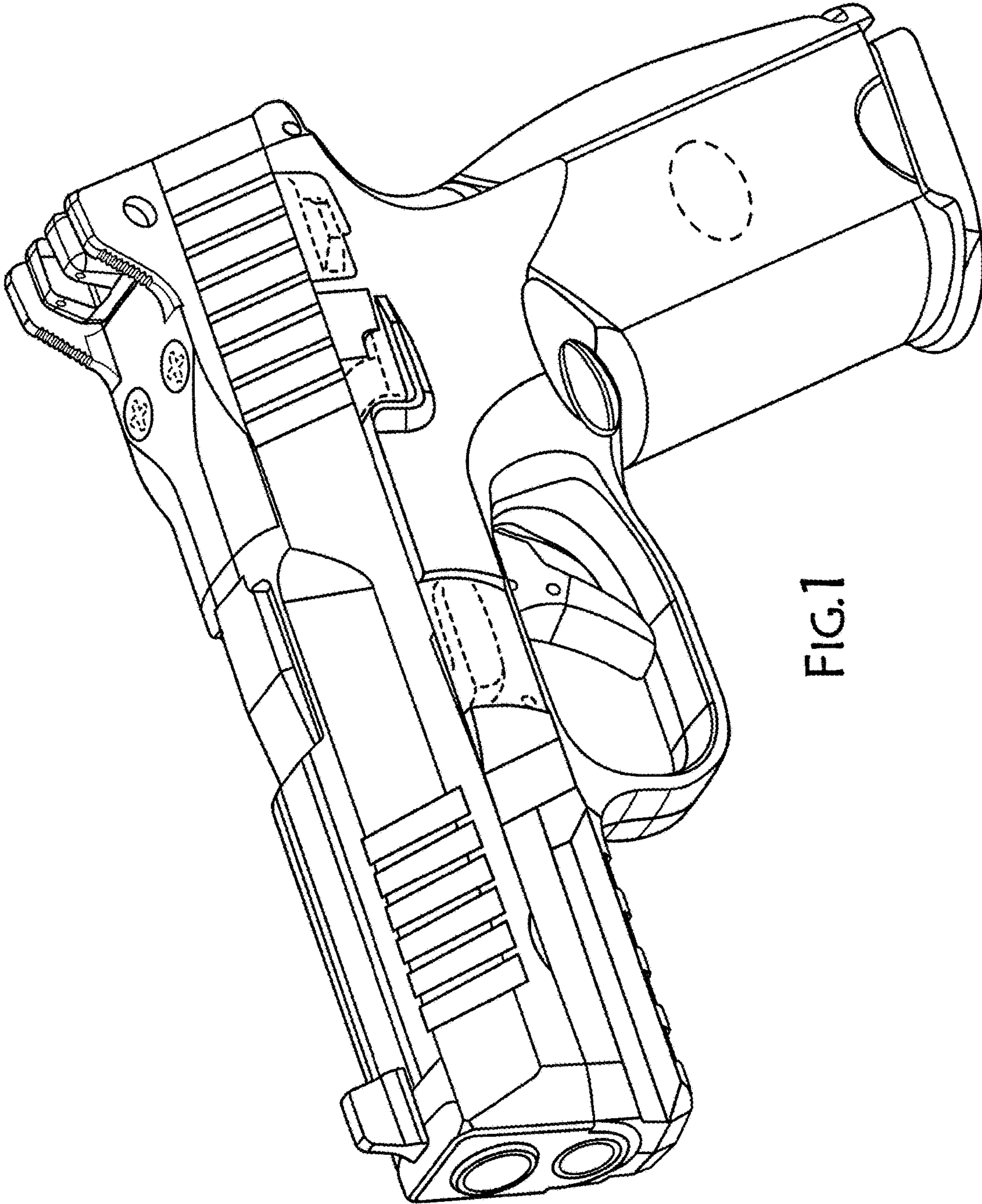


FIG.1

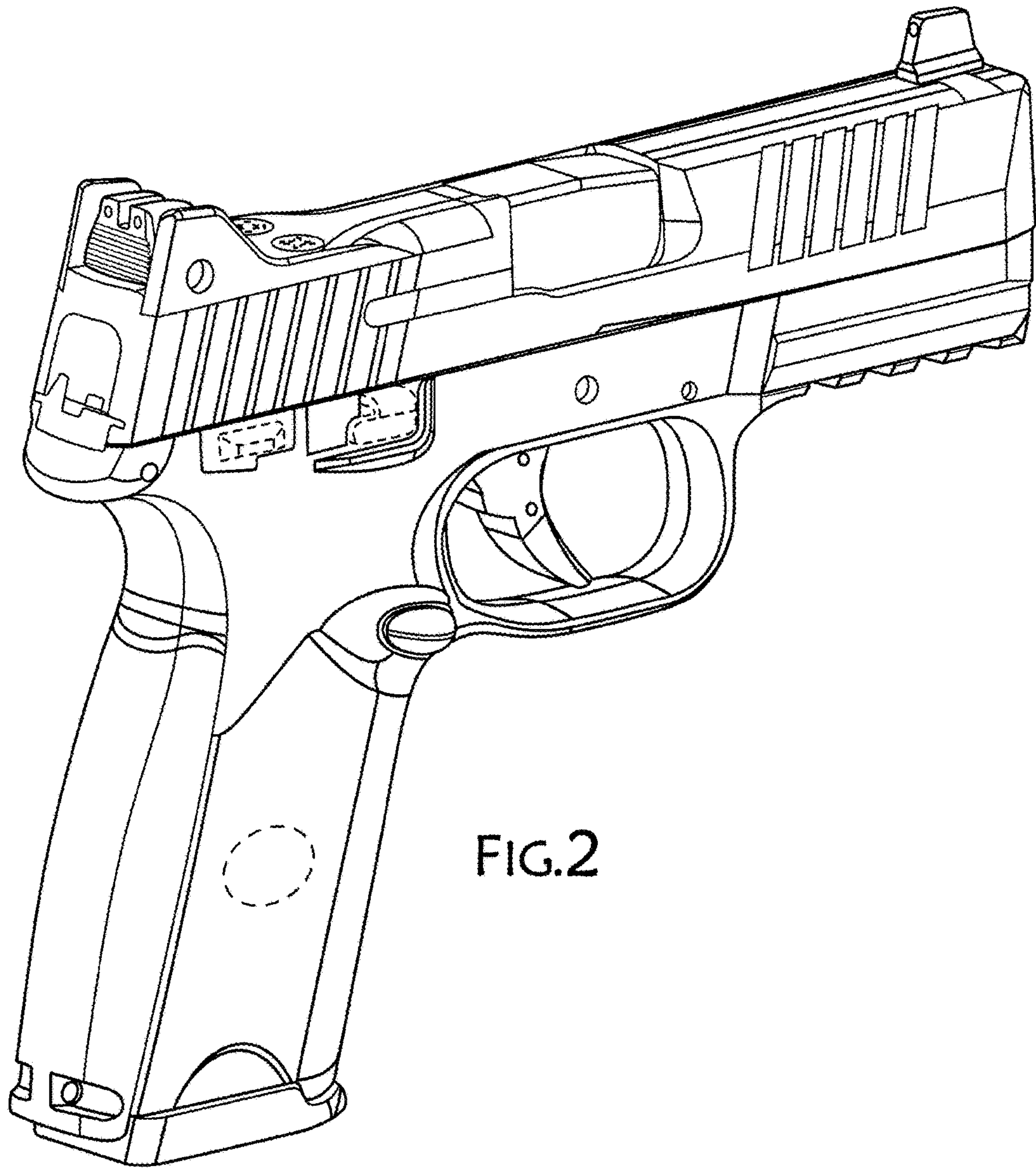


FIG.2

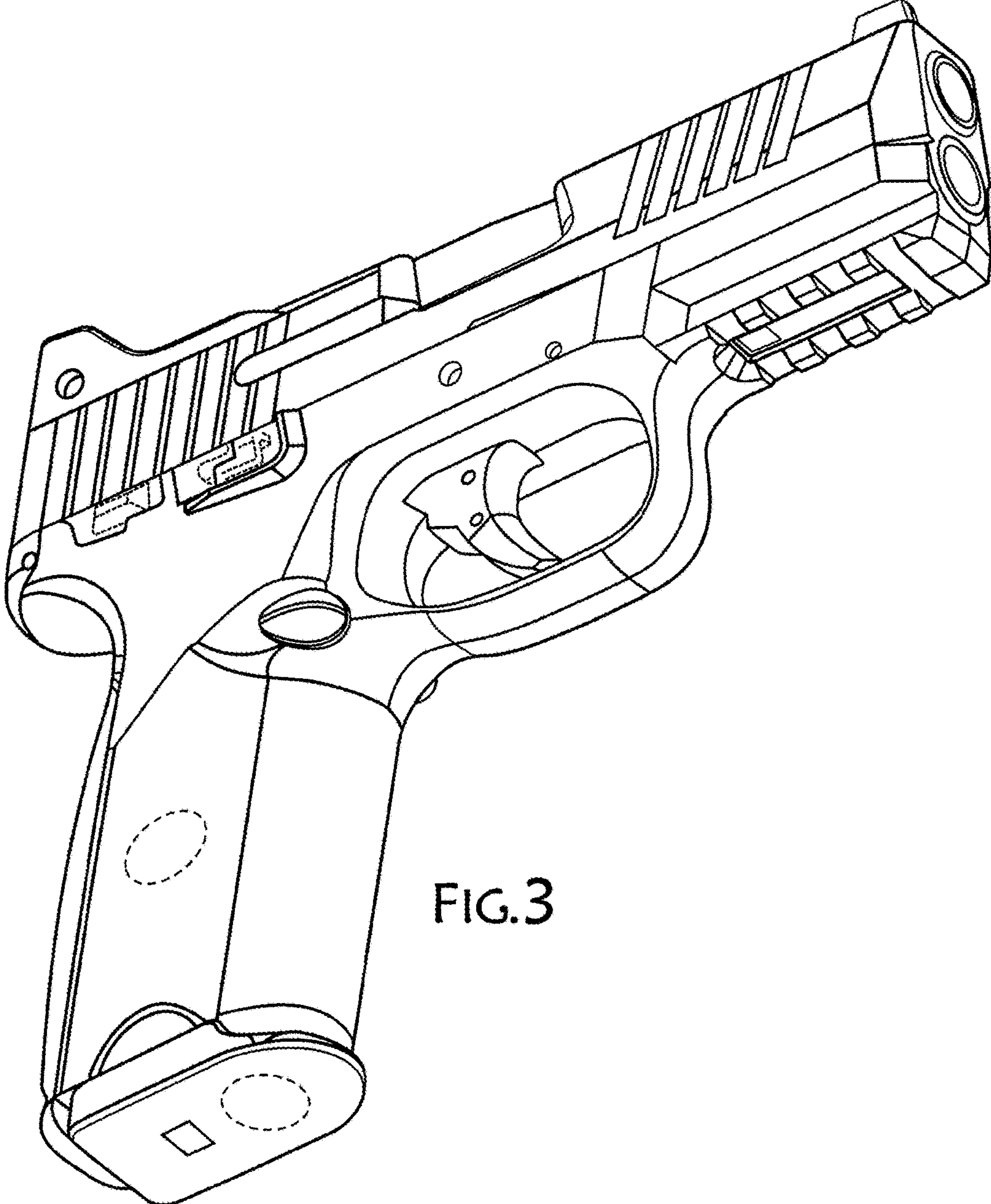


FIG. 3

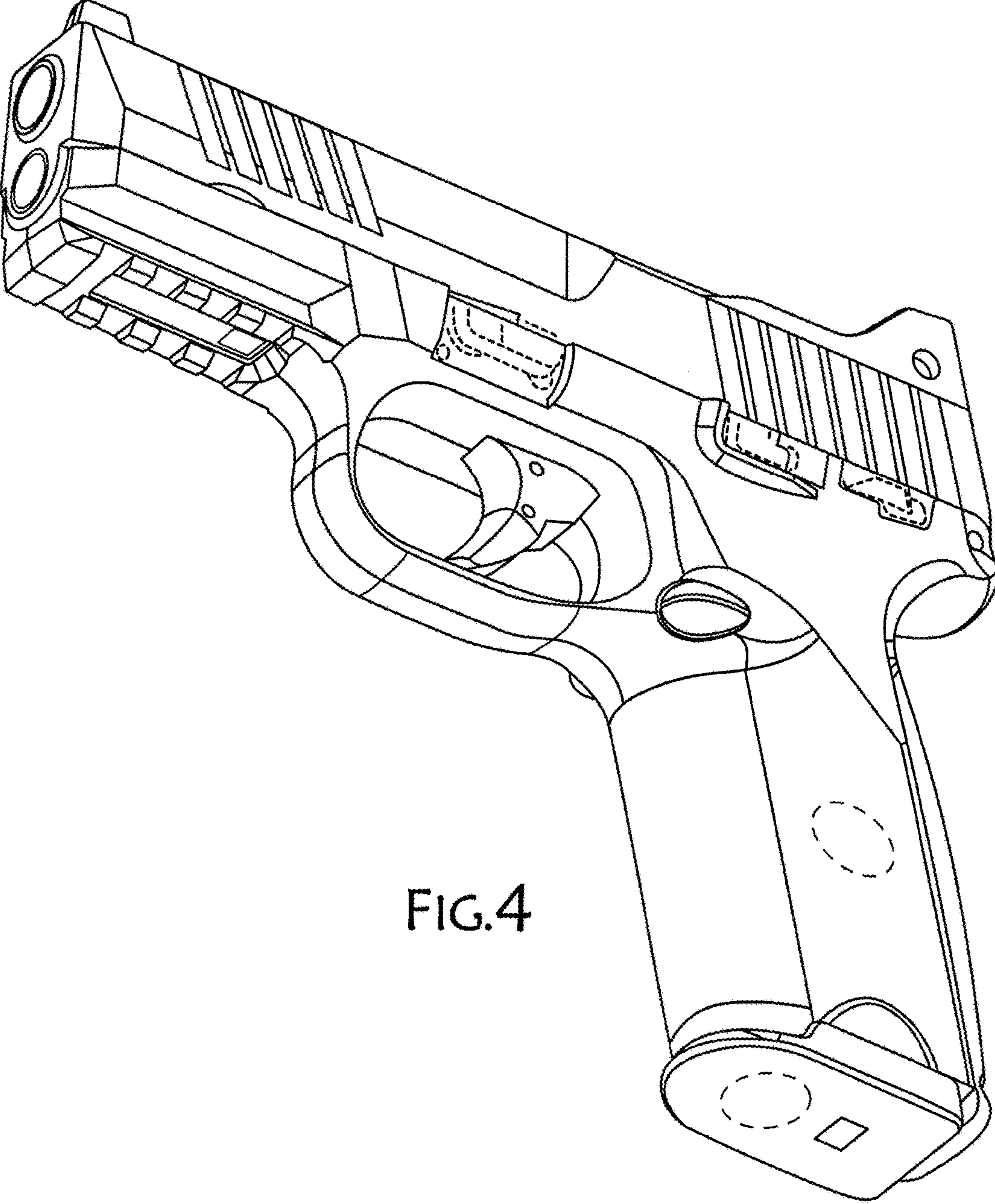


FIG.4

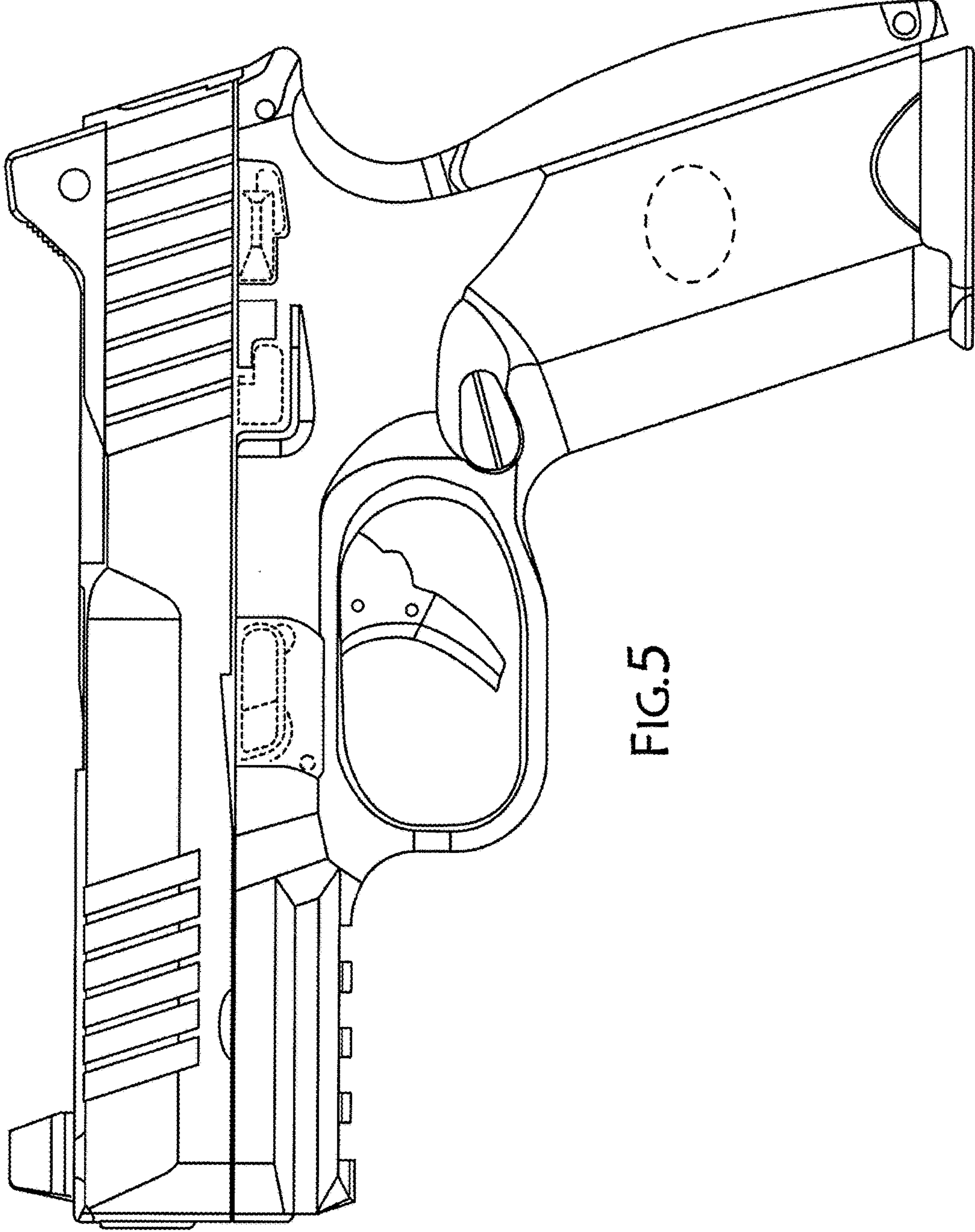


FIG. 5

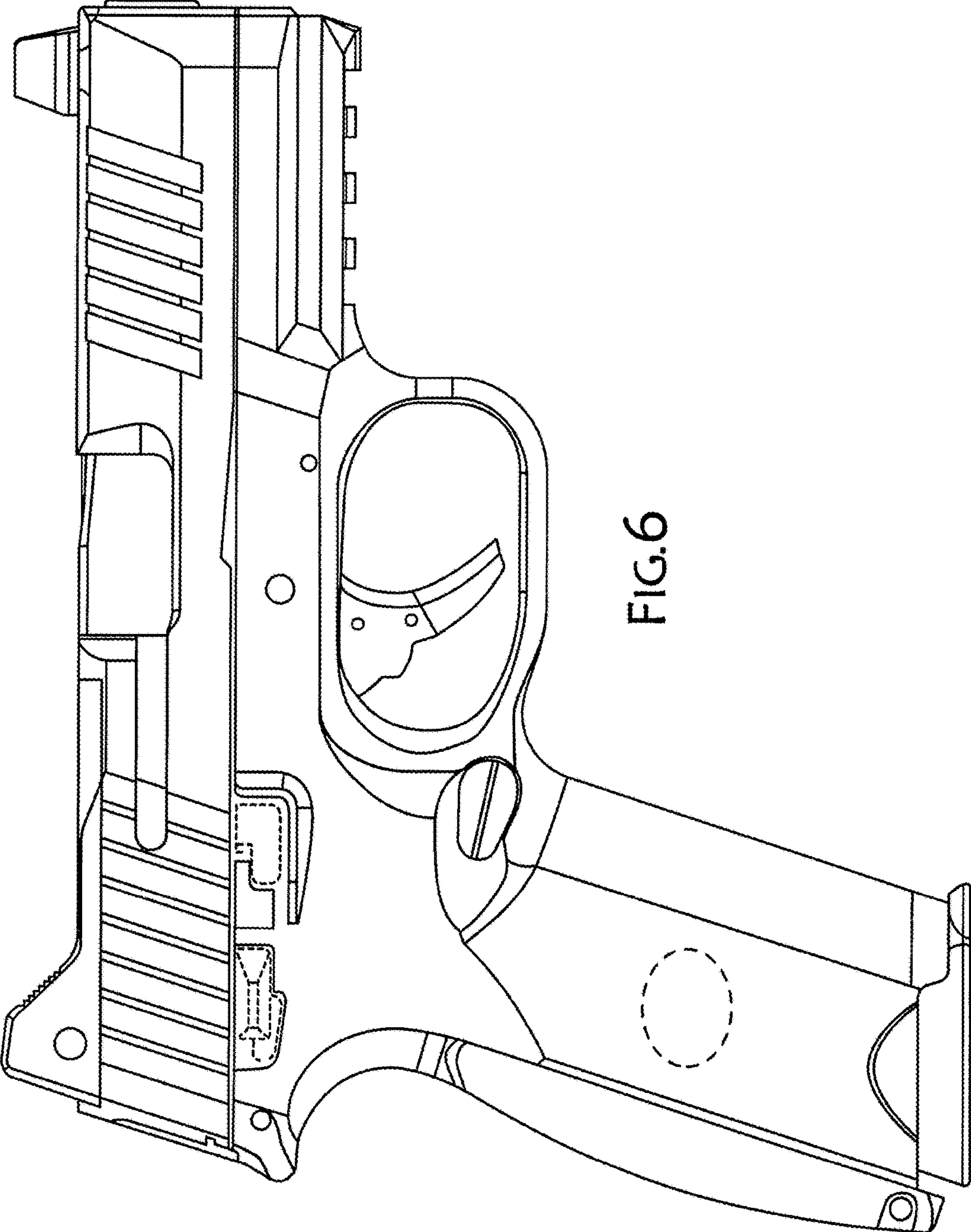


FIG. 6

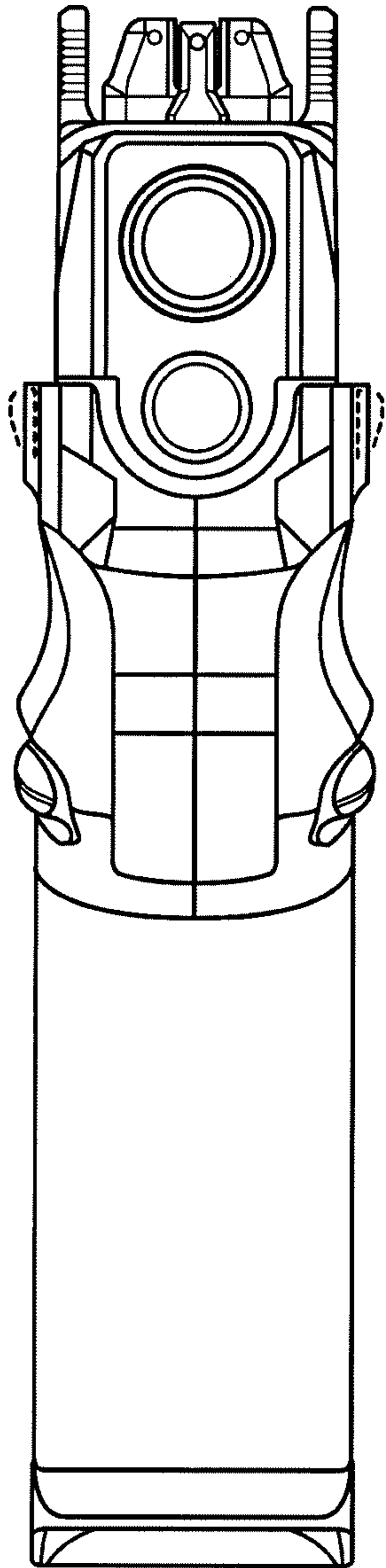


FIG. 7

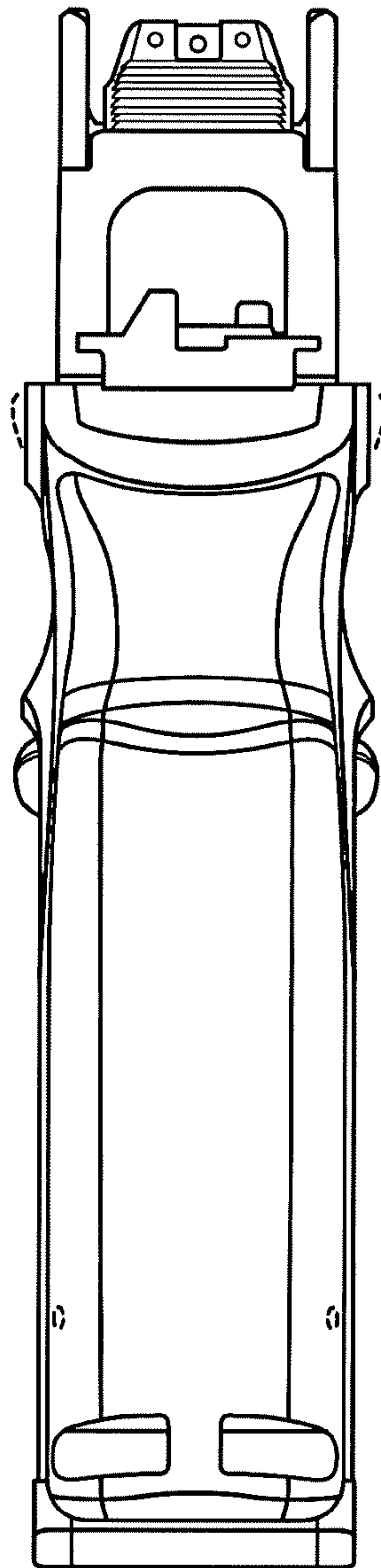


FIG. 8

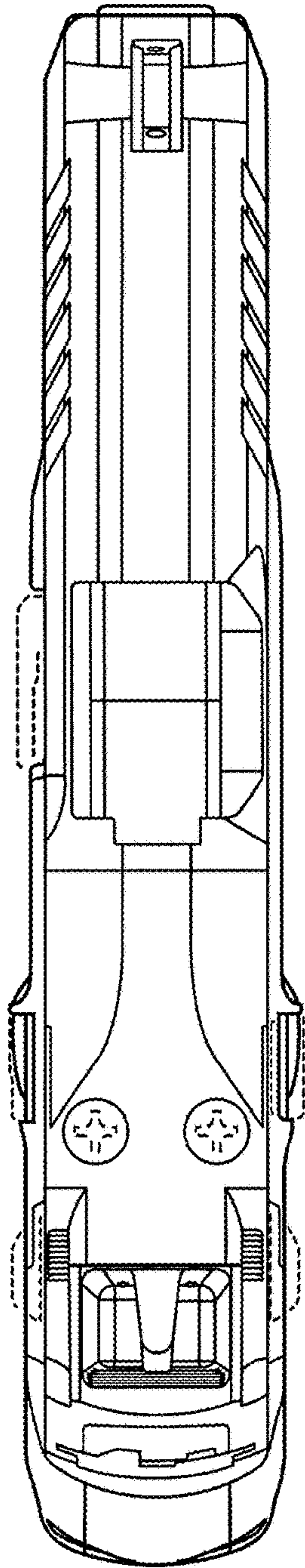


FIG. 9

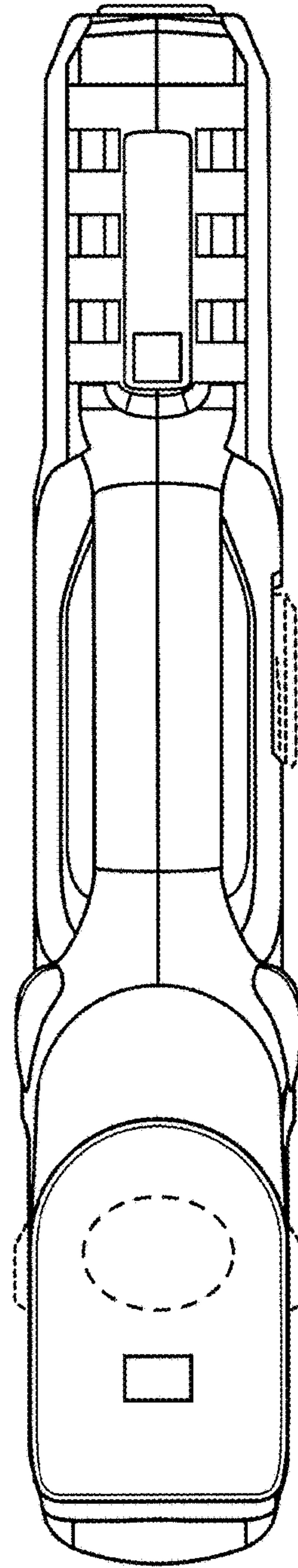


FIG. 10