



US00D808485S

(12) **United States Design Patent**  
**Czane**

(10) **Patent No.:** **US D808,485 S**  
(45) **Date of Patent:** **\*\* Jan. 23, 2018**

(54) **VOLLEYBALL-STYLE GAME APPARATUS**

A63B 67/007; A63B 67/04; A63B 67/045; A63B 67/18; A63B 2067/005; A63B 69/0095; A63B 2102/16; A63B 2243/0095; A63B 5/11

(71) Applicant: **Anton Czane**, Victoria (AU)

(72) Inventor: **Anton Czane**, Victoria (AU)

See application file for complete search history.

(\*\*) Term: **15 Years**

(56) **References Cited**

(21) Appl. No.: **29/554,144**

U.S. PATENT DOCUMENTS

(22) Filed: **Feb. 8, 2016**

3,312,471 A \* 4/1967 Nissen ..... A63B 5/11  
182/139  
4,556,218 A \* 12/1985 Barron ..... A63B 67/04  
473/475

(30) **Foreign Application Priority Data**

(Continued)

Aug. 17, 2015 (AU) ..... 201514217

(51) **LOC (11) Cl.** ..... **21-02**

FOREIGN PATENT DOCUMENTS

(52) **U.S. Cl.**  
USPC ..... **D21/799.1**; D21/698; D21/706;  
D21/797

AU 364458 \* 9/2015  
EP 3072560 A1 \* 9/2016 ..... A63B 71/02

(Continued)

(58) **Field of Classification Search**

USPC ..... D21/300–303, 305, 312–314, 336, 339,  
D21/341, 342, 345, 346, 350, 355, 385,  
D21/397, 698, 699, 705, 706, 799.1,  
D21/799.2, 682, 672, 686, 692, 693, 797;  
D25/12; 472/92; 473/415, 416, 434,  
473/459, 460, 462, 467, 469, 473, 474,  
473/476, 478, 490, 491, 492, 494, 496;  
273/317, 317.1, 317.4, 342, 398, 400,  
273/401, 407, 108.1, 277, 309, 440, 441;  
482/27, 29

*Primary Examiner* — Catherine A Tuttle  
(74) *Attorney, Agent, or Firm* — Mitchell Law PLLC;  
Matthew W. Mitchell

CPC ..... A63C 19/00; A63C 19/04; A63C 19/06;  
A63C 19/08; A63C 2203/00; A63C  
2203/08; A63F 7/00; A63F 7/0017; A63F  
7/06; A63F 7/0652; A63F 7/0656; A63F  
7/30; A63F 7/36; A63F 7/3674; A63F  
2007/3005; A63F 2007/3025; A63F  
2007/341; A63F 2007/3622; A63F  
2007/3625; A63F 2007/3633; A63F  
2007/367; A63B 61/00; A63B 61/003;  
A63B 61/006; A63B 61/02; A63B 63/00;  
A63B 63/003; A63B 63/007; A63B  
2063/001; A63B 67/00; A63B 67/002;

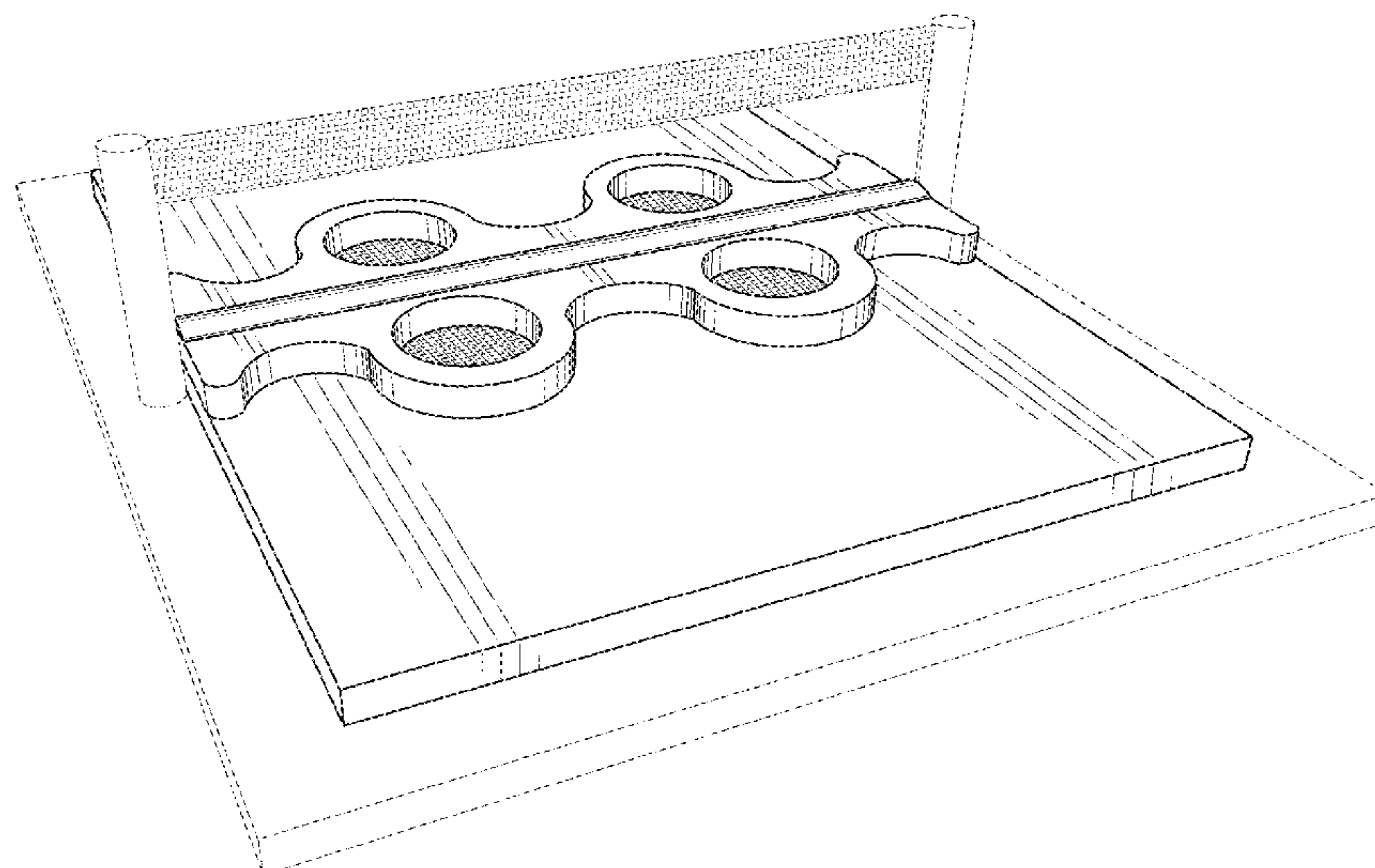
(57) **CLAIM**

The ornamental design for a volleyball-style game apparatus, as shown and described.

**DESCRIPTION**

FIG. 1 is a front perspective view of the volleyball-style game apparatus embodying my new design; FIG. 2 is a front view of FIG. 1, the back view being a mirror image thereof; FIG. 3 is a left side view of FIG. 1, the right side view being a mirror image thereof; and, FIG. 4 is a top plan view of FIG. 1. The broken lines disclaim the net, net posts, and perimeter feature and are included for contextual purposes, forming no part of the claimed design.

**1 Claim, 3 Drawing Sheets**



(56)

**References Cited**

U.S. PATENT DOCUMENTS

4,979,754 A \* 12/1990 Eisenhart ..... A63B 61/00  
206/315.1  
D363,325 S \* 10/1995 Wilkinson ..... D21/797  
D363,510 S \* 10/1995 Phillips-Hume ..... D21/354  
5,692,980 A \* 12/1997 Trotman ..... A63B 61/00  
473/473  
6,162,061 A \* 12/2000 Taylor ..... A63B 5/11  
434/253  
6,849,010 B1 \* 2/2005 Valdeus, Jr. .... A63B 63/08  
473/469  
8,002,282 B1 \* 8/2011 Koski ..... A63B 63/083  
273/317  
2002/0010042 A1 \* 1/2002 Gordon ..... A63B 5/11  
473/490  
2016/0107055 A1 \* 4/2016 Chen ..... A63B 67/002  
473/472

FOREIGN PATENT DOCUMENTS

FR 2825642 A1 \* 12/2002 ..... A01K 1/0157  
WO WO-9417868 A1 \* 8/1994 ..... A63B 67/04  
WO WO-2004067880 A2 \* 8/2004 ..... A63B 5/11

\* cited by examiner

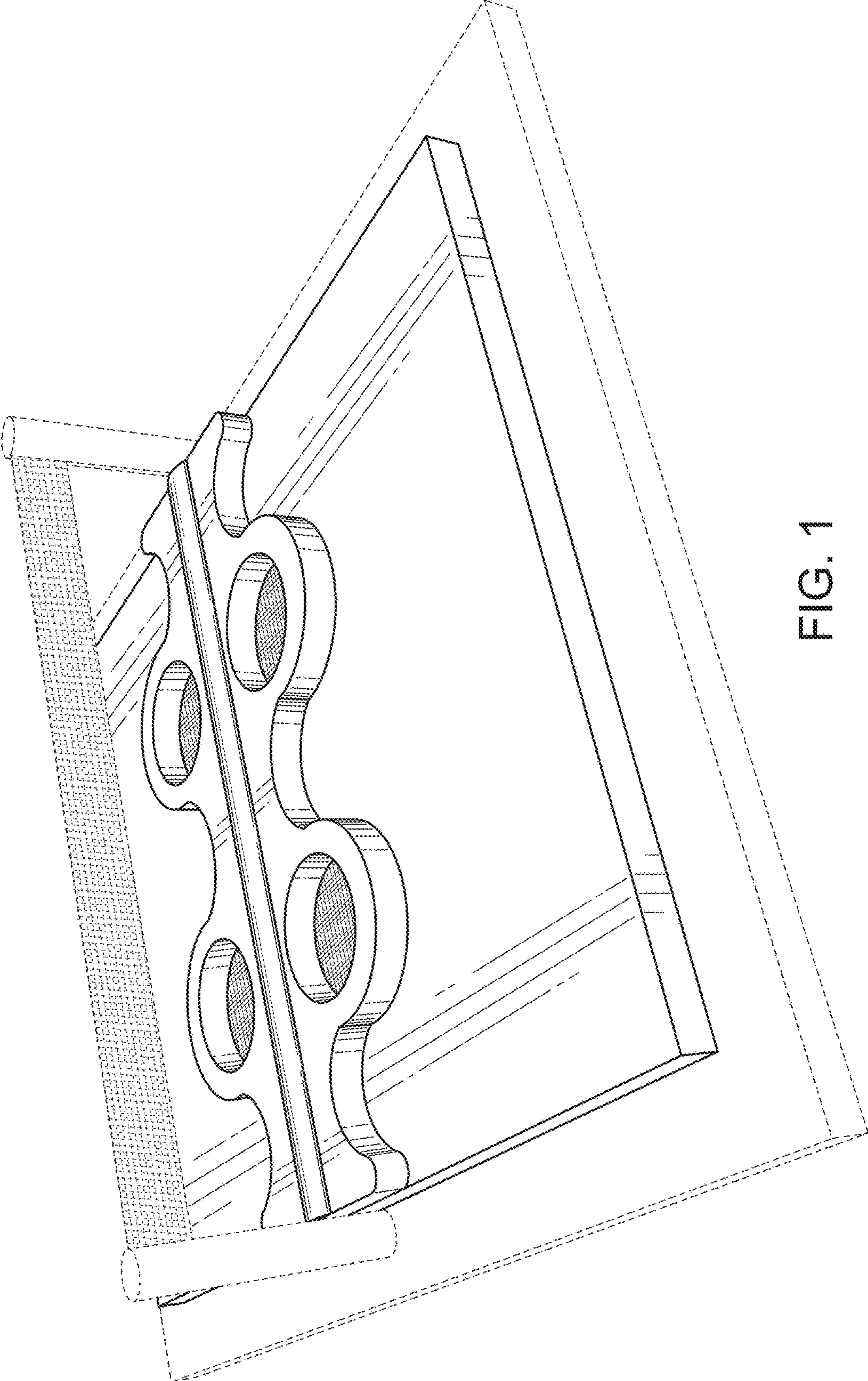


FIG. 1



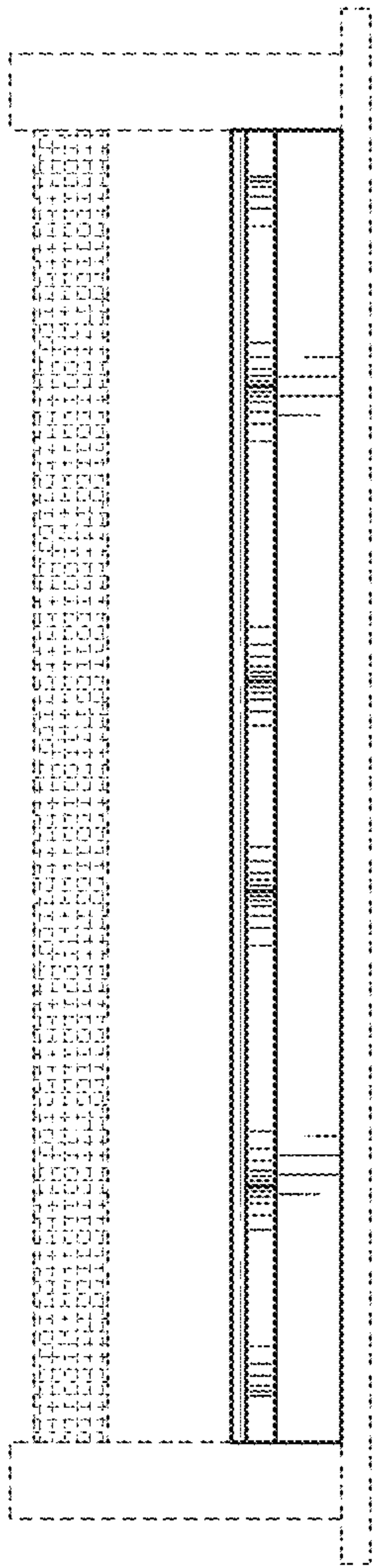


FIG. 2

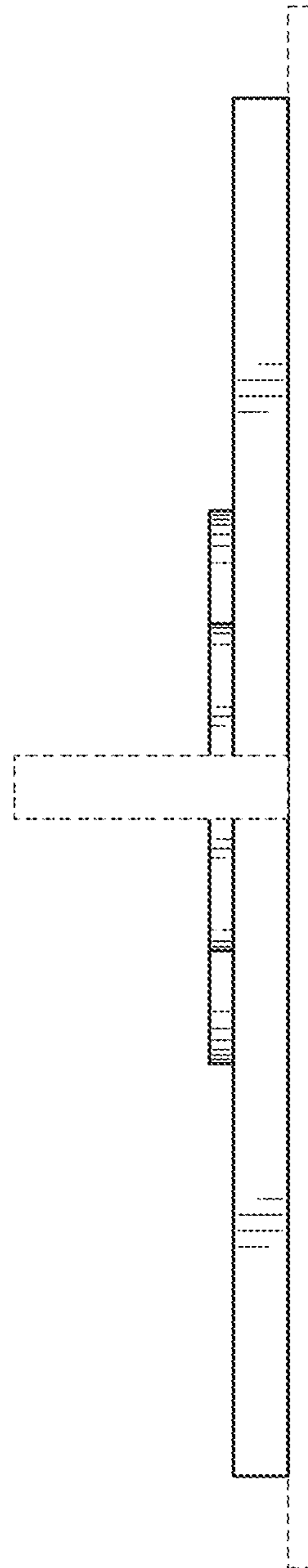


FIG. 3

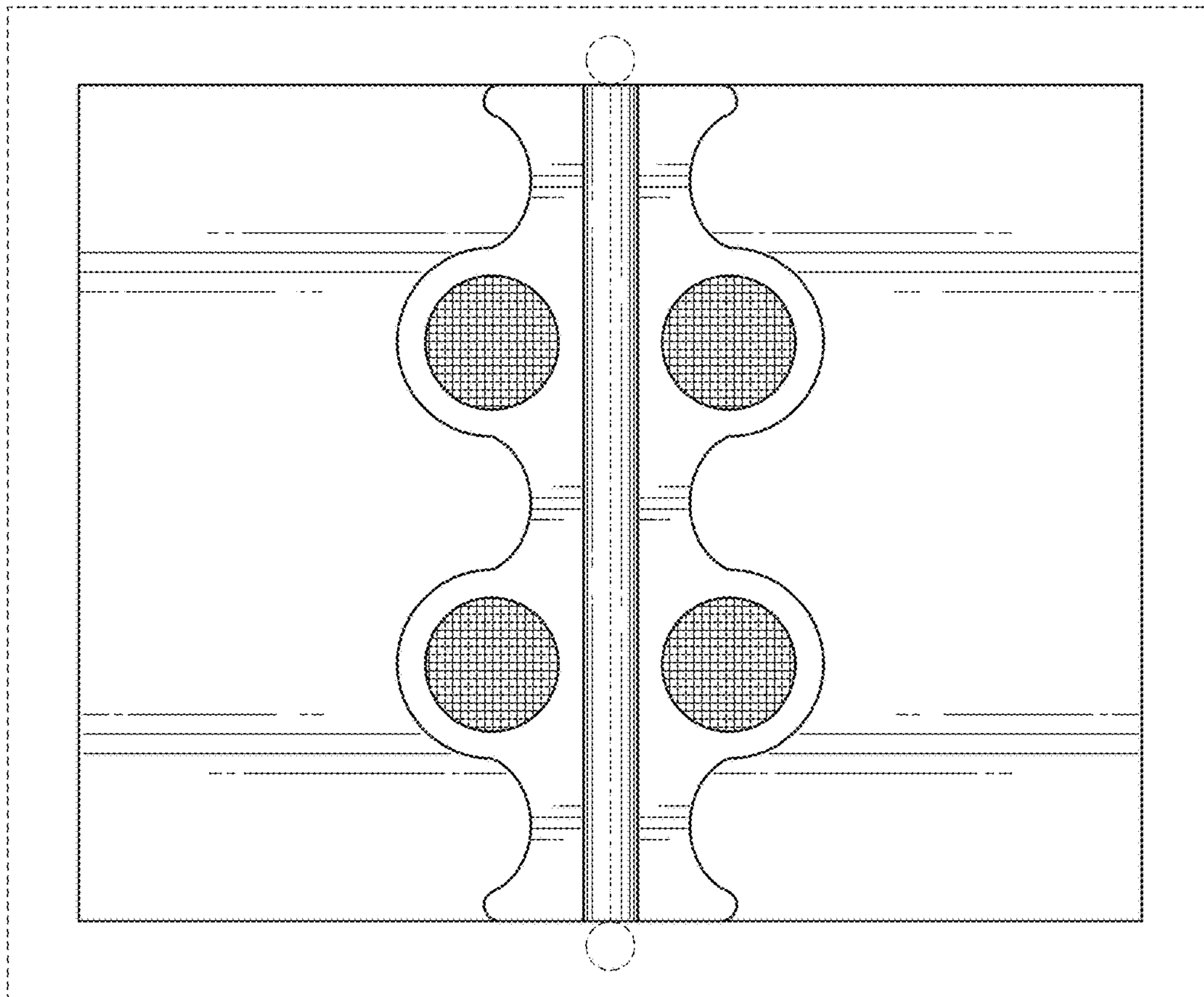


FIG. 4