



US00D808484S

(12) **United States Design Patent** (10) **Patent No.:** **US D808,484 S**
Oyler (45) **Date of Patent:** **** Jan. 23, 2018**

(54) **GOLF TRAINING DEVICE**

(71) Applicant: **Golf Tailor, LLC**, Edmond, OK (US)

(72) Inventor: **Tim Oyler**, Edmond, OK (US)

(73) Assignee: **Golf Tailor, LLC**, Edmond, OK (US)

(**) Term: **15 Years**

(21) Appl. No.: **29/588,203**

(22) Filed: **Dec. 19, 2016**

(51) **LOC (11) Cl.** **21-02**

(52) **U.S. Cl.**
USPC **D21/791**

(58) **Field of Classification Search**
USPC D21/789, 791

(Continued)

(56) **References Cited**

U.S. PATENT DOCUMENTS

D237,515 S * 11/1975 Thiel D21/680
4,027,886 A * 6/1977 Katsube A63B 69/3632
273/456

(Continued)

FOREIGN PATENT DOCUMENTS

CN 303855686 S 9/2016
HK 1600455.2 3/2016
WO WO 2004/105887 12/2004

Primary Examiner — Mitchell I. Siegel

(74) *Attorney, Agent, or Firm* — Caesar Rivise, PC

(57) **CLAIM**

The ornamental design for the golf training device, as shown and described.

DESCRIPTION

FIG. 1 is a top, isometric view of a golf training device showing my new design, shown with a slidable canister in a mid-shaft position;

FIG. 2 is a front, elevation view of the golf training device of FIG. 1, shown with the slidable canister in a mid-shaft position;

FIG. 3 is a rear elevation view of the golf training device of FIG. 1, shown with the slidable canister in a mid-shaft position;

FIG. 4 is a left side elevation view of the golf training device of FIG. 1, shown with the slidable canister in a mid-shaft position;

FIG. 5 is a right side elevational view of the golf training device of FIG. 1 shown with the canister in a mid-shaft position;

FIG. 6 is a top, plan view of the golf training device of FIG. 1, shown with the slidable canister in a mid-shaft position;

FIG. 7 is a bottom plan view of a golf training device of FIG. 1 shown with the slidable canister in a mid-shaft position;

FIG. 8 is a top, isometric view of a golf training device of FIG. 1 shown with the canister in a bottom-shaft position;

FIG. 9 is a front elevational view of the golf training device of FIG. 8 shown with the canister in a bottom-shaft position;

FIG. 10 is a rear elevational view of the golf training device of FIG. 8 shown with the canister in a bottom-shaft position;

FIG. 11 is a left side elevational view of the golf training device of FIG. 8 shown with the canister in a bottom-shaft position;

FIG. 12 is a right side elevational view of the golf training device of FIG. 8 shown with the canister in a bottom-shaft position;

FIG. 13 is a top plan view of the golf training device of FIG. 8 shown with the canister in a bottom-shaft position;

FIG. 14 is a bottom plan view of a golf training device of FIG. 8 shown with the slidable canister in a bottom-shaft position;

FIG. 15 is a top, isometric view of a golf training device of FIG. 1 shown with the canister in an upper-shaft position;

FIG. 16 is a front elevational view of the golf training device of FIG. 15 shown with the canister in an upper-shaft position;

FIG. 17 is a rear elevational view of the golf training device of FIG. 15 shown with the canister in an upper-shaft position;

(Continued)

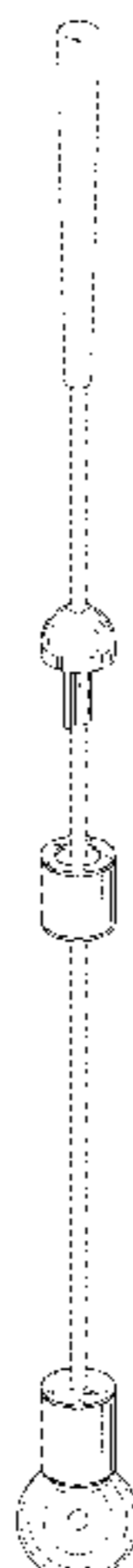


FIG. 18 is a left side elevational view of the golf training device of FIG. 15 shown with the canister in a upper-shaft position;
 FIG. 19 is a right side elevational view of the golf training device of FIG. 15 shown with the canister in a upper-shaft position;
 FIG. 20 is a top plan view of the golf training device of FIG. 15 shown with the canister in a upper-shaft position;
 FIG. 21 is a bottom plan view of a golf training device of FIG. 15 shown with the slidable canister in a upper-shaft position;
 FIG. 22 is a top, isometric view of a second embodiment of a golf training device of FIG. 1 shown with two canisters in a mid-shaft position;
 FIG. 23 is a front elevational view of the golf training device of FIG. 22 shown with two canisters in a mid-shaft position;
 FIG. 24 is a rear elevational view of the golf training device of FIG. 22 shown with two canisters in a mid-shaft position;
 FIG. 25 is a left side elevational view of the golf training device of FIG. 22 shown with two canisters in a mid-shaft position;
 FIG. 26 is a right side elevational view of the golf training device of FIG. 22 shown with two canisters in a mid-shaft position;
 FIG. 27 is a top plan view of the golf training device of FIG. 22 shown with two canisters in a mid-shaft position; and,
 FIG. 28 is a bottom plan view of the golf training device of FIG. 22 shown with two canisters in a mid-shaft position.
 The features shown in broken lines in the drawing depict portions of the design that form no part of the claimed design.

1 Claim, 16 Drawing Sheets

(58) **Field of Classification Search**

CPC A63B 69/36; A63B 69/3638; A63B 60/04;
 A63B 15/005

See application file for complete search history.

(56) **References Cited**

U.S. PATENT DOCUMENTS

4,664,388	A *	5/1987	Huber	A63B 67/20 273/DIG. 20
D326,268	S	5/1992	Le Tixerant	
D326,493	S *	5/1992	Perry	D21/791
D329,268	S *	9/1992	Perry	D21/791
D405,859	S *	2/1999	Thompson	D21/791
D426,607	S *	6/2000	Wurster	D21/791
D432,613	S *	10/2000	Lewallen, Jr.	D21/791
D457,929	S *	5/2002	Ciesar	D21/725
D485,325	S *	1/2004	Rohan-Weaver	D21/789
D486,198	S *	2/2004	Rohan-Weaver	D21/791
D490,492	S *	5/2004	Nemeckay	D21/791
6,955,610	B1 *	10/2005	Czaja	A63B 15/005 473/220
D603,924	S *	11/2009	Troutman	D21/791
D627,414	S *	11/2010	Masuda	D21/725
D640,764	S *	6/2011	Ikeda	D21/791
8,540,584	B1 *	9/2013	Sorenson	A63B 69/36 473/219
D769,390	S *	10/2016	Wang	D21/791

* cited by examiner

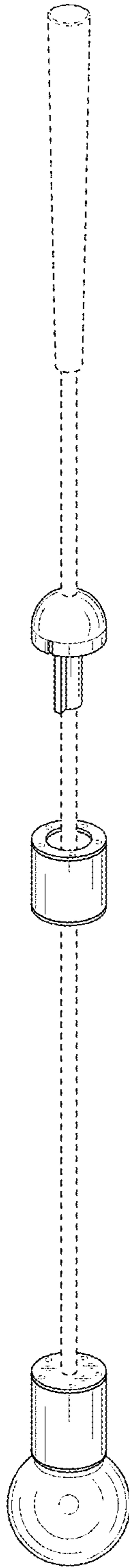


FIG. 1

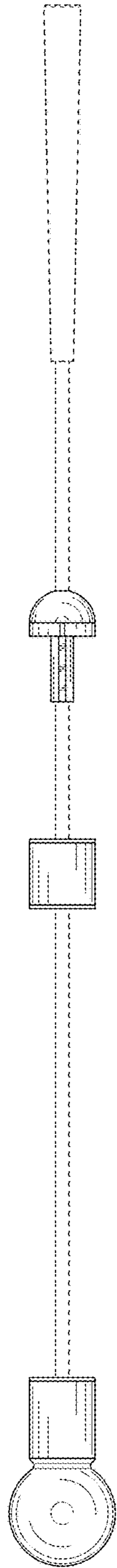


FIG. 2

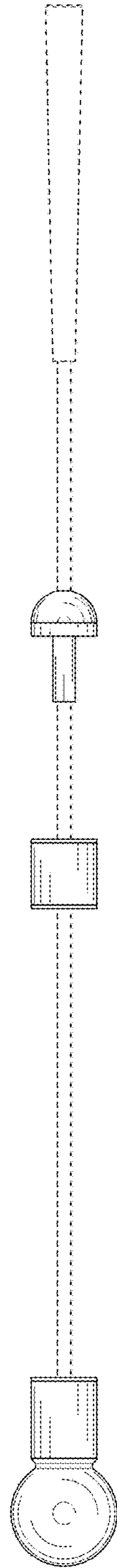


FIG. 3

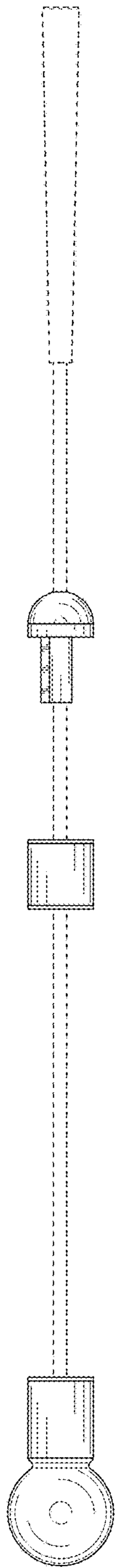


FIG. 4

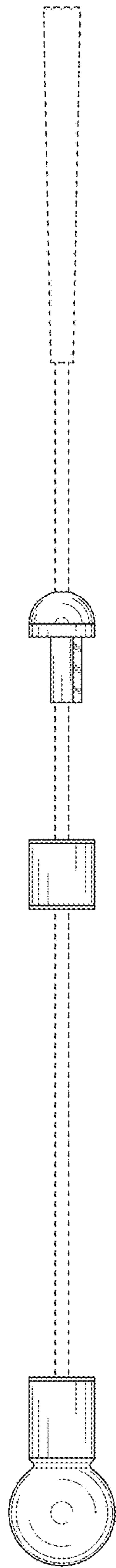


FIG. 5

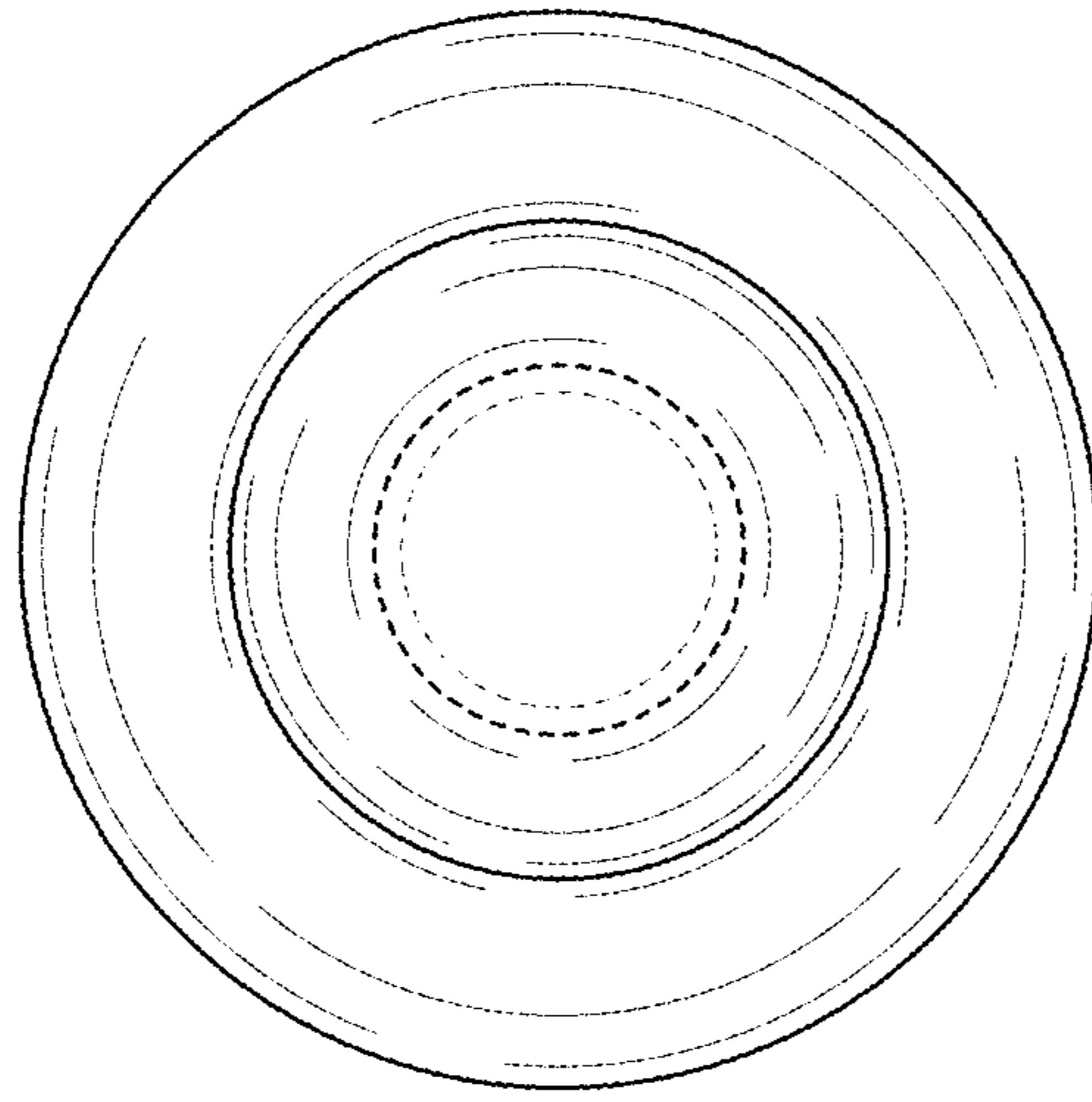


FIG. 6

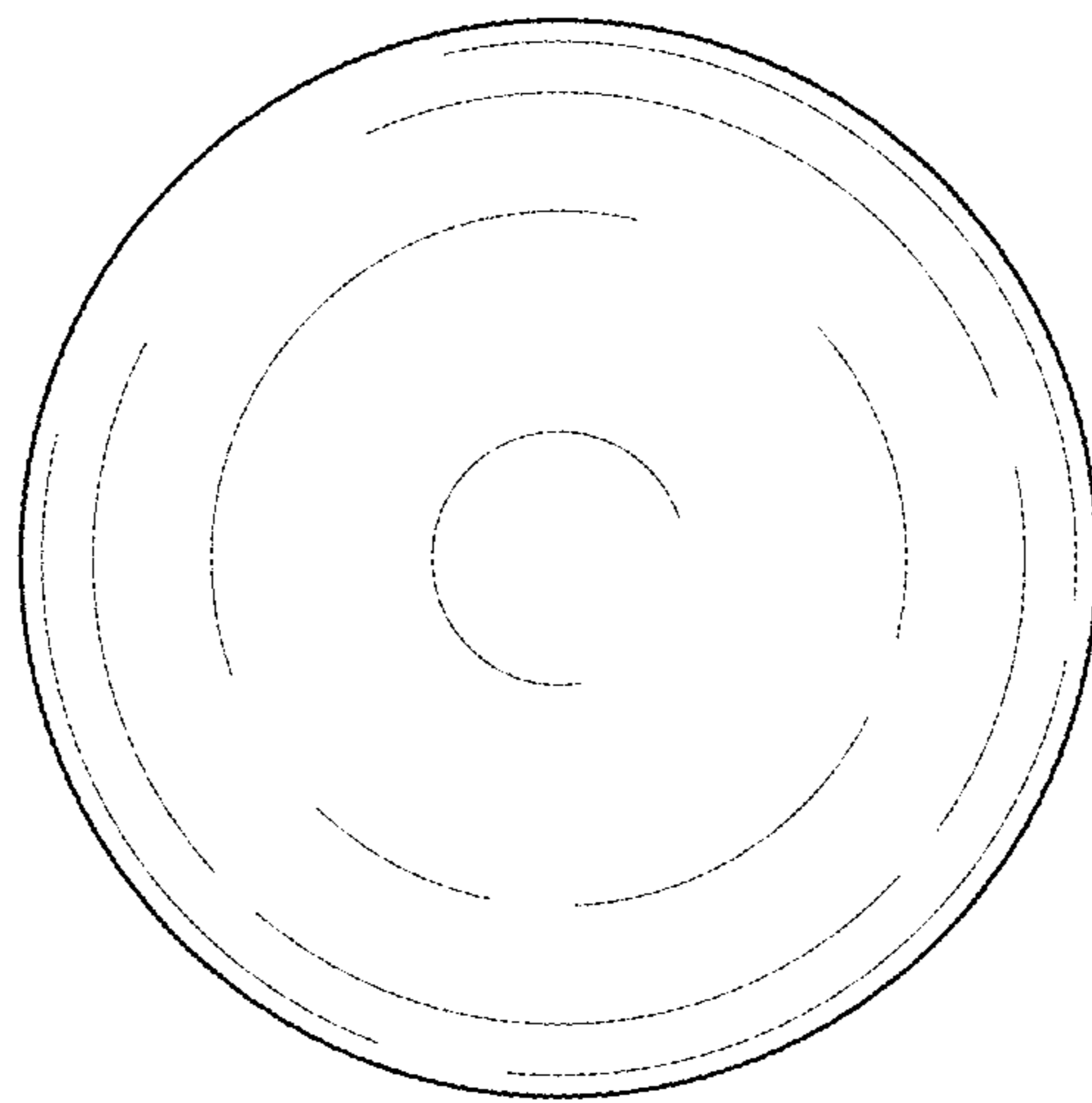


FIG. 7

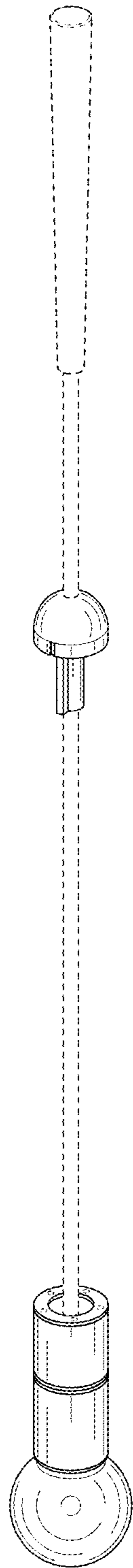


FIG. 8

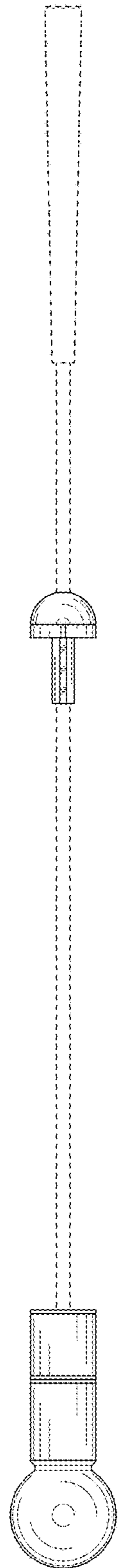


FIG. 9

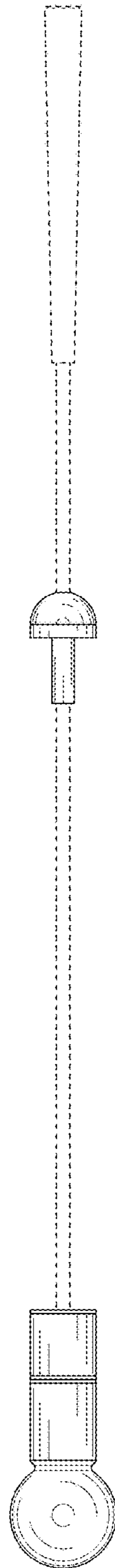


FIG. 10

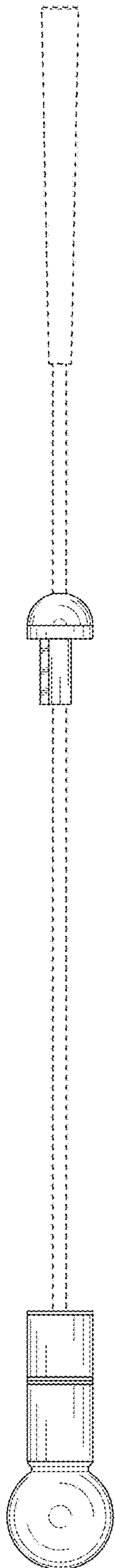


FIG. 11

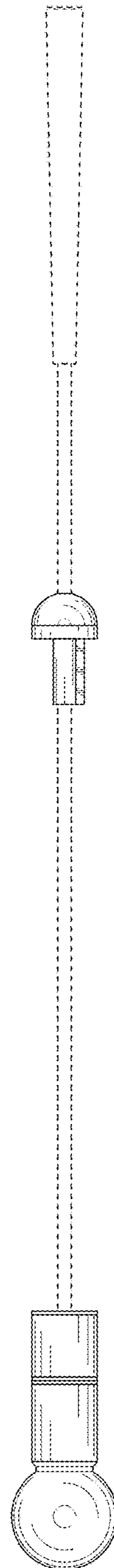


FIG. 12

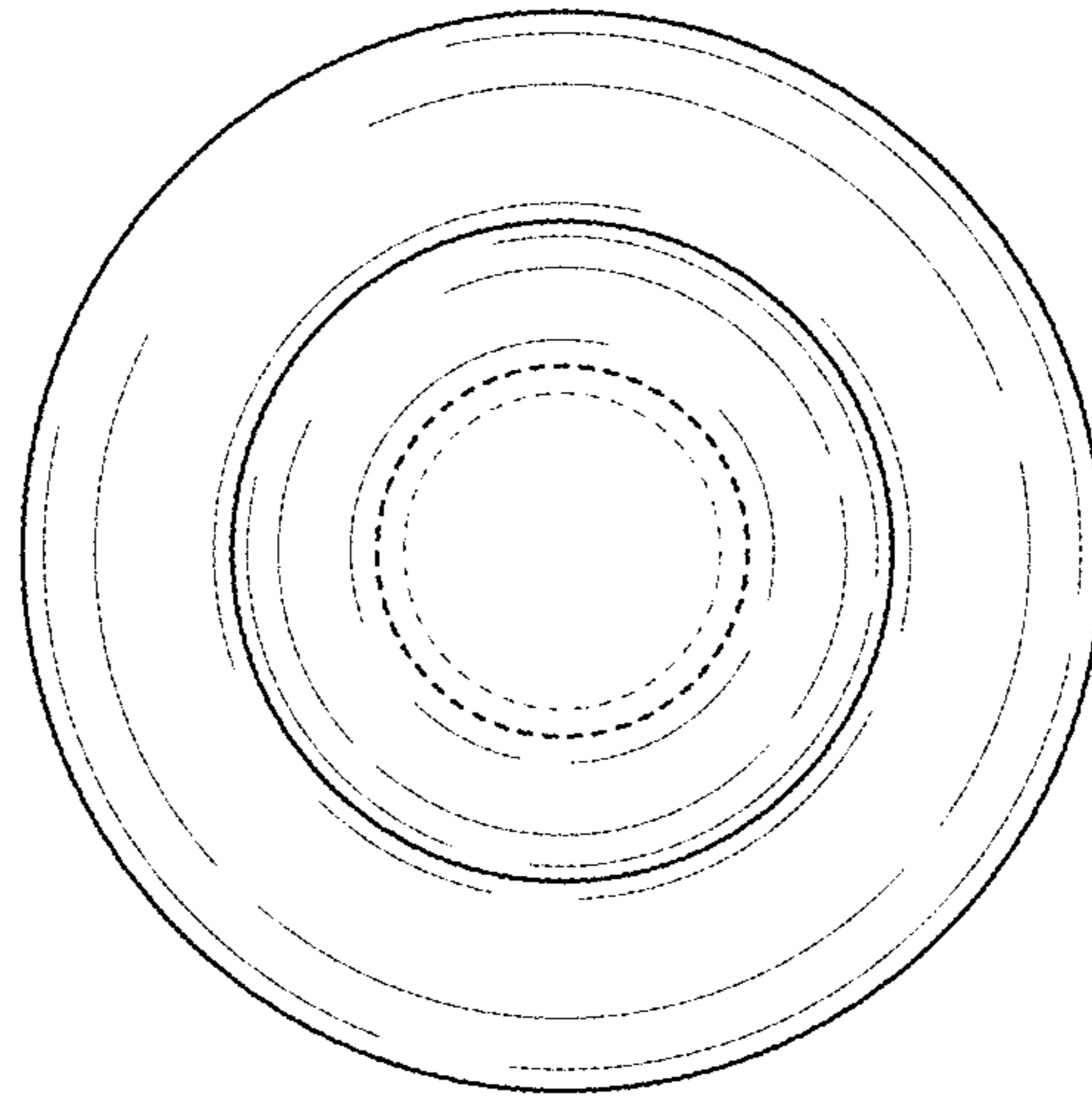


FIG. 13

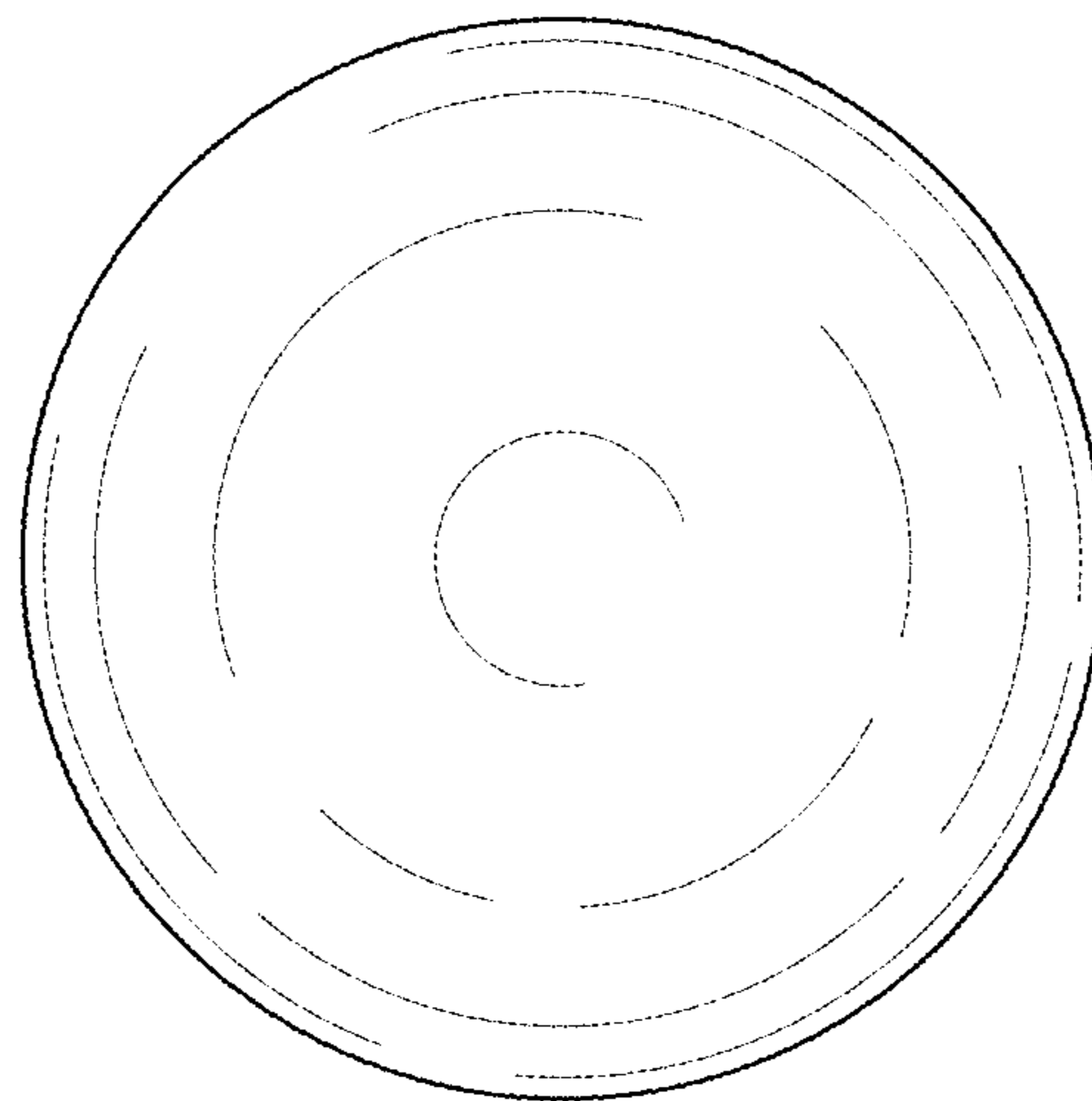


FIG. 14

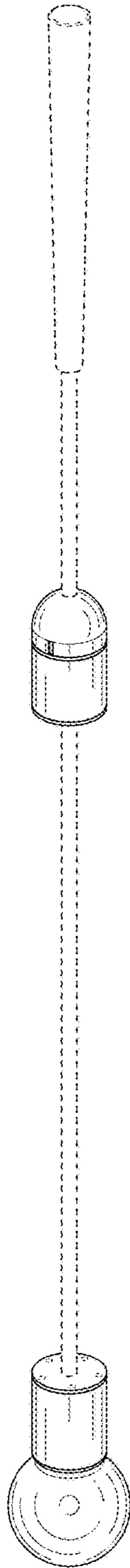


FIG. 15

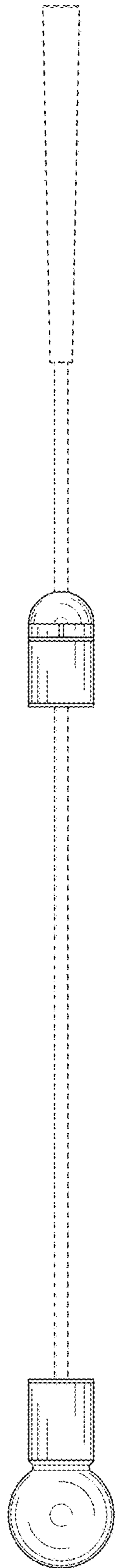


FIG. 16

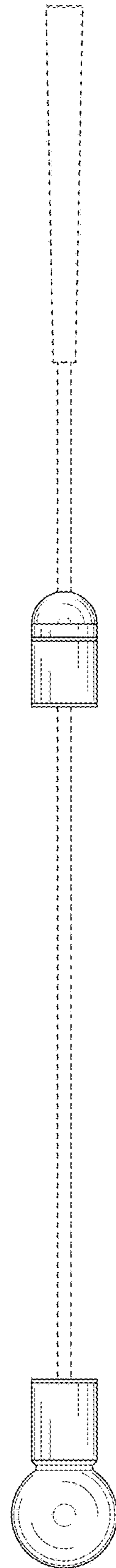


FIG. 17

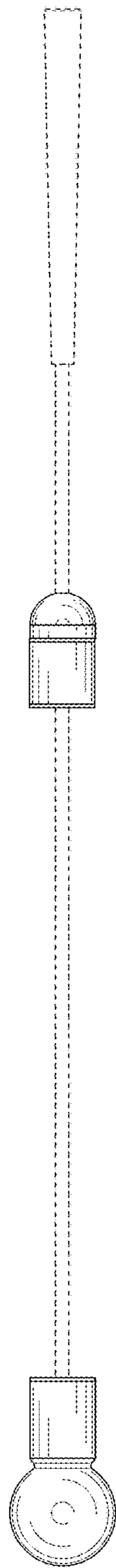


FIG. 18

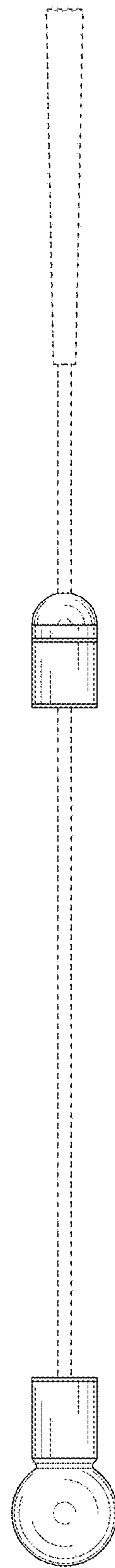


FIG. 19

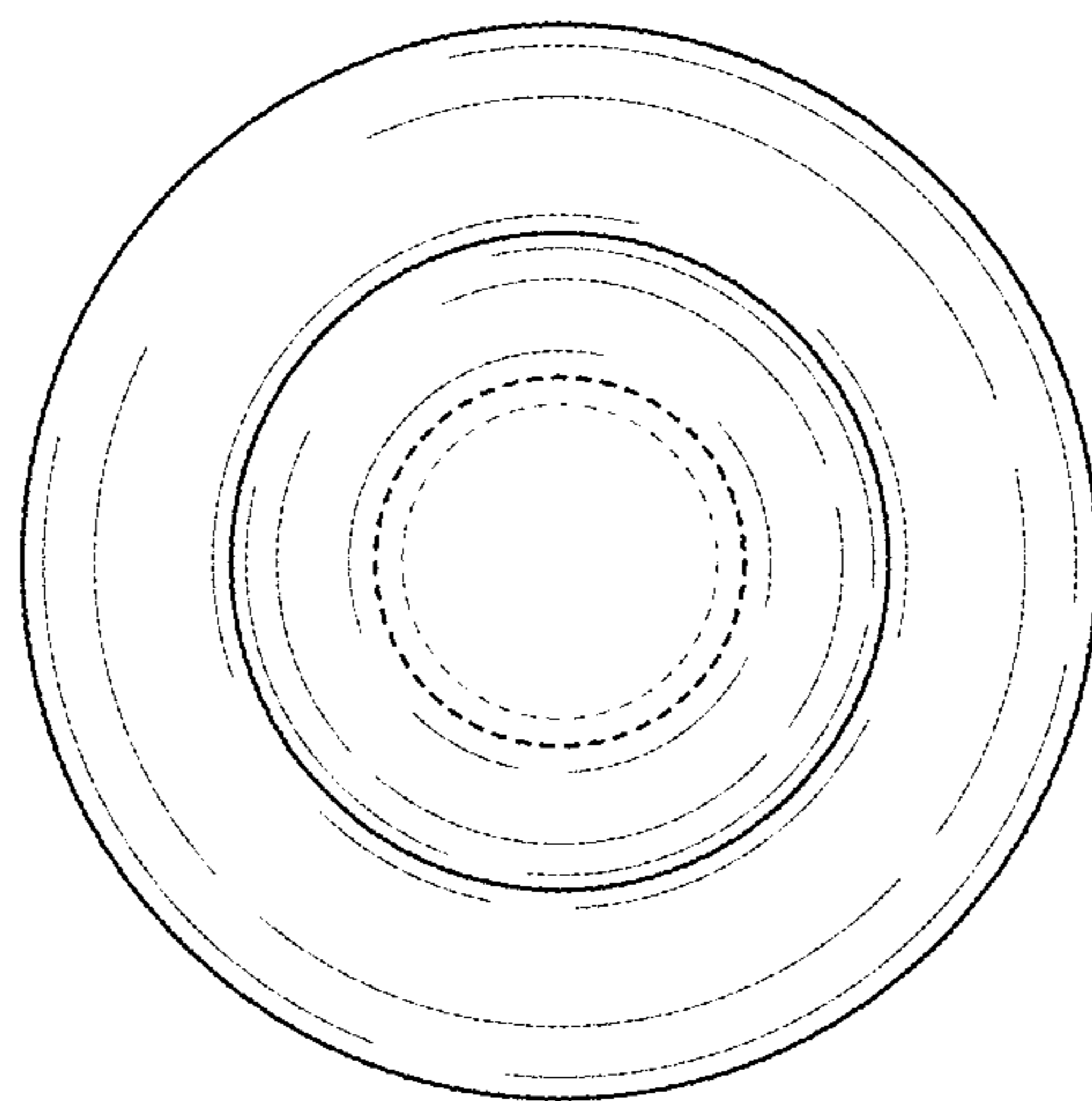


FIG. 20

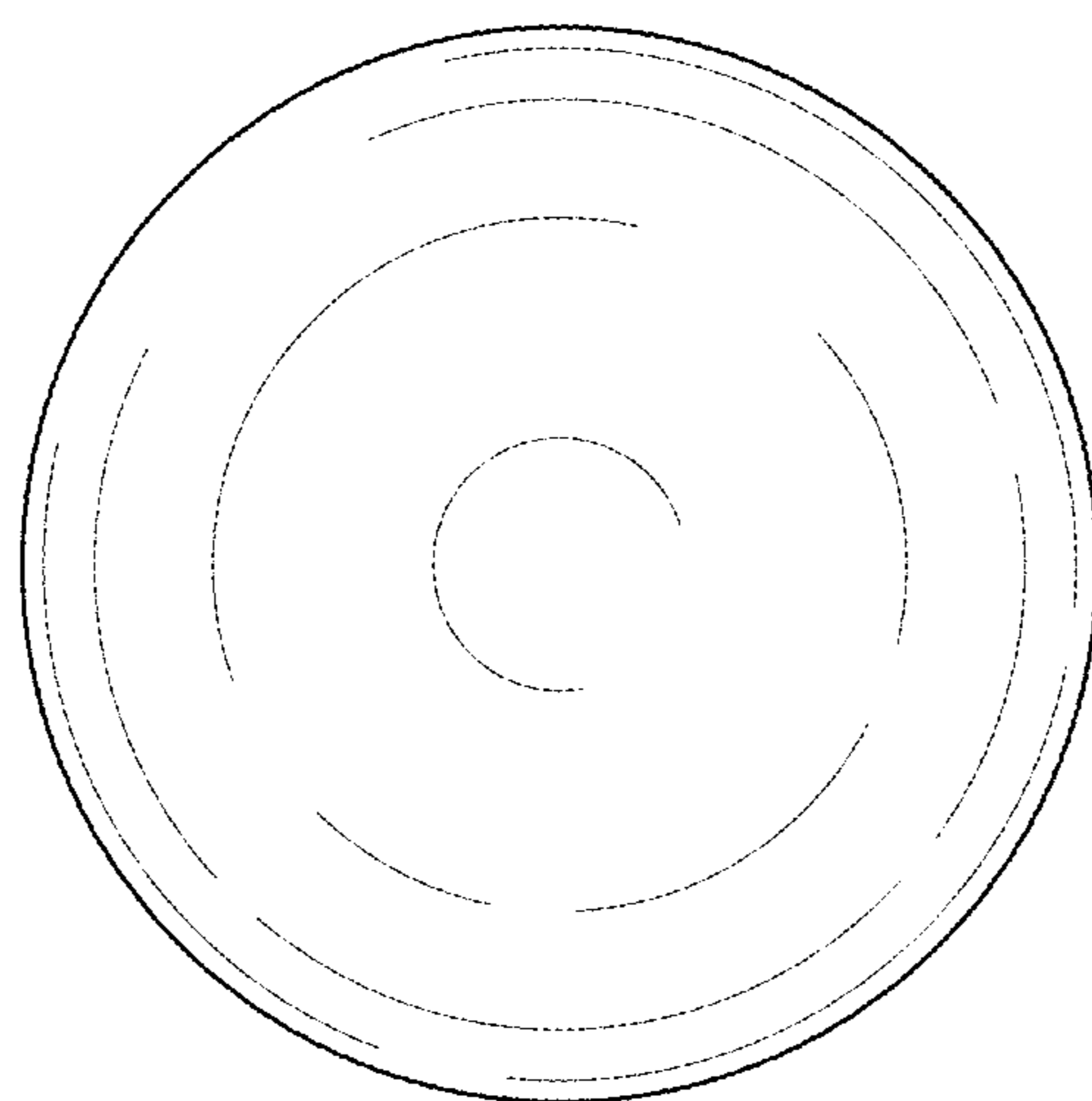


FIG. 21

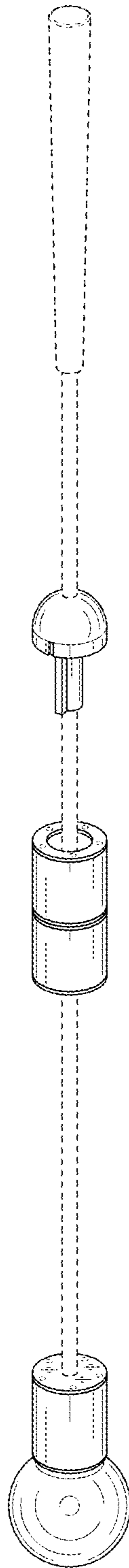


FIG. 22

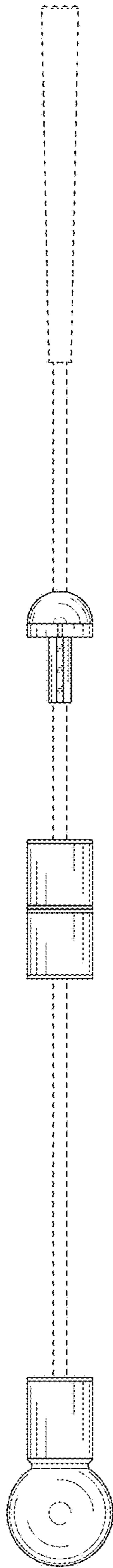


FIG. 23

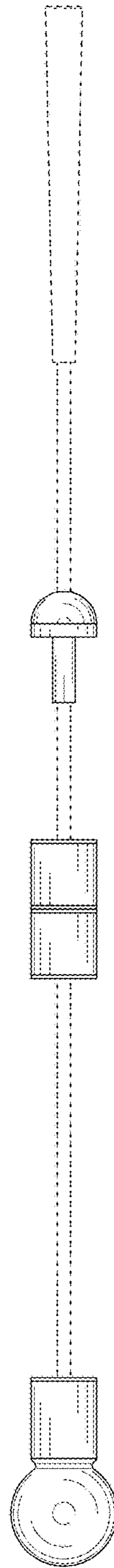


FIG. 24

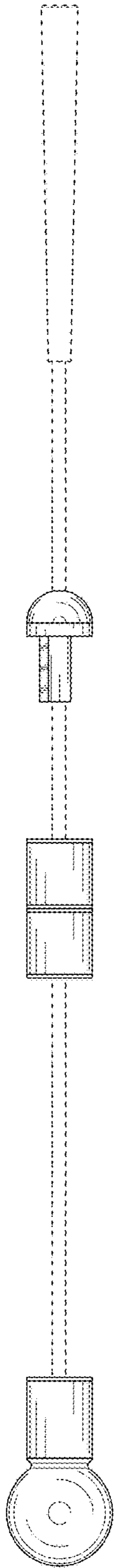


FIG. 25

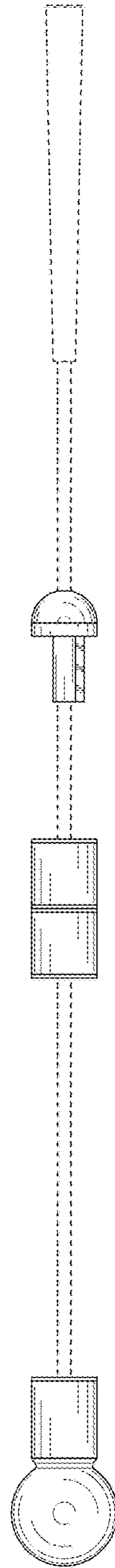


FIG. 26

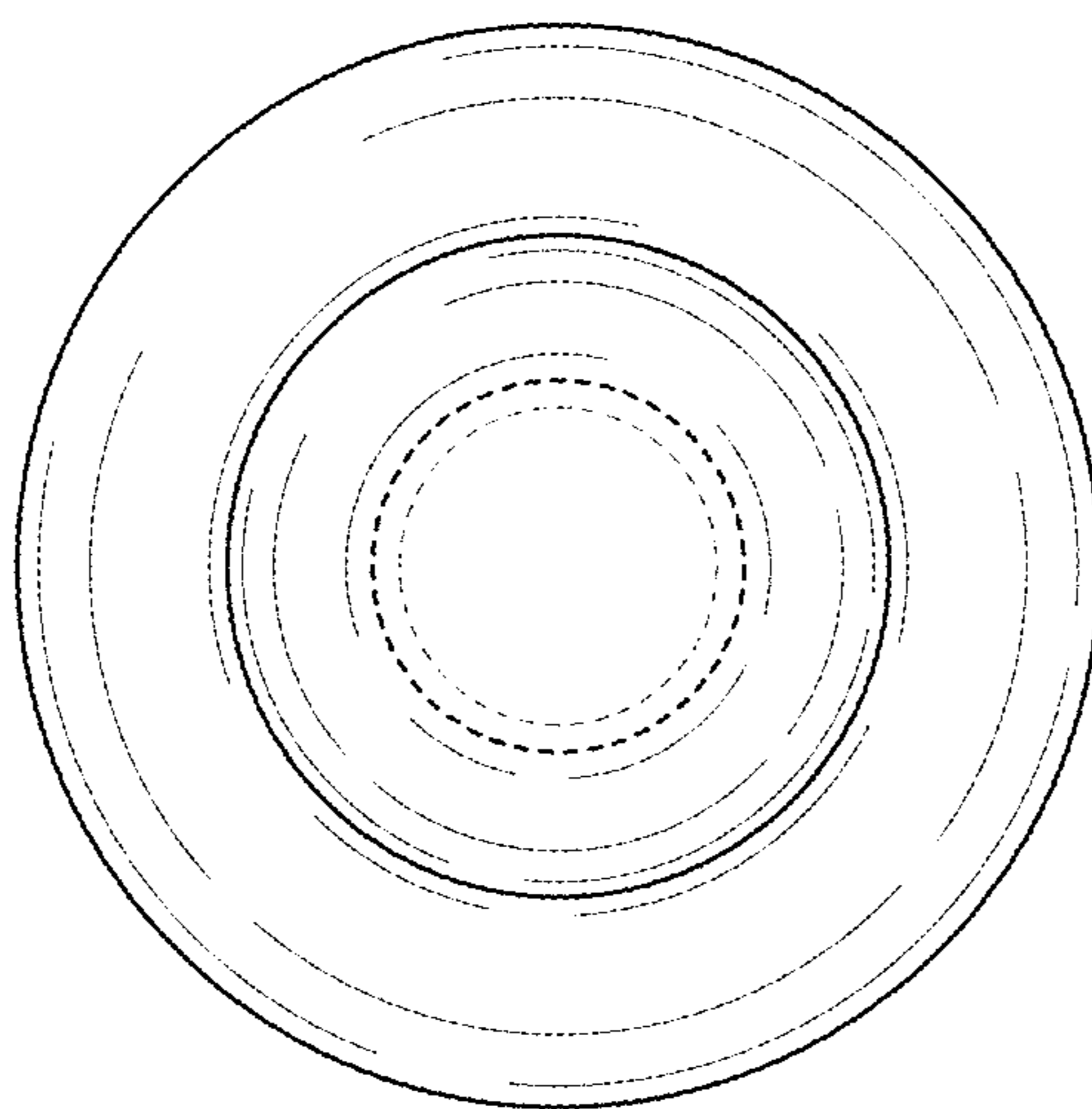


FIG. 27

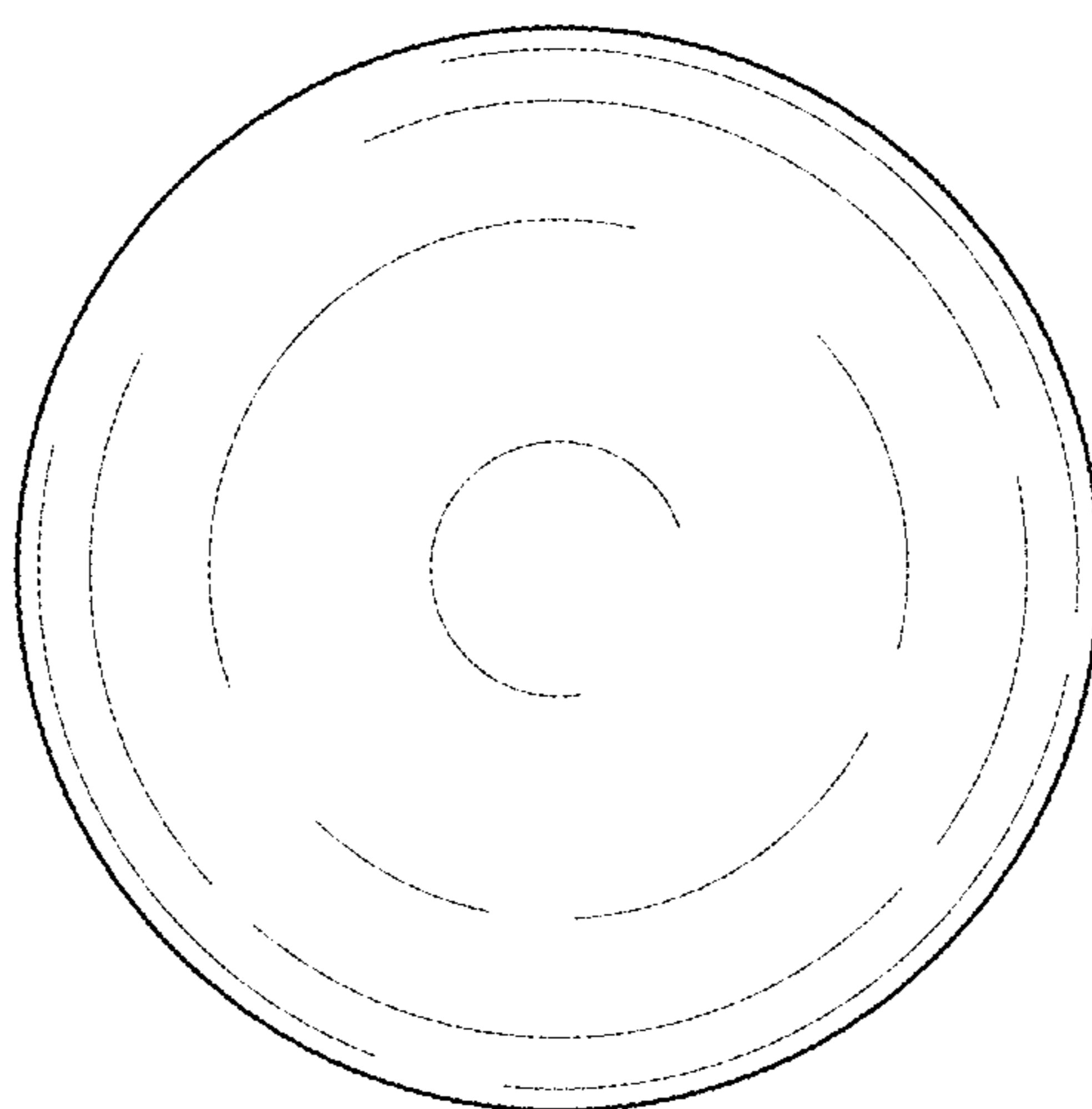


FIG. 28