



US00D808483S

(12) **United States Design Patent**  
**Wang**

(10) **Patent No.:** **US D808,483 S**  
(45) **Date of Patent:** **\*\* Jan. 23, 2018**

- (54) **GOLF PRACTICE AID**
- (71) Applicant: **Jonathan Wang**, Hayward, CA (US)
- (72) Inventor: **Jonathan Wang**, Hayward, CA (US)
- (\*\*) Term: **15 Years**
- (21) Appl. No.: **29/578,139**
- (22) Filed: **Sep. 19, 2016**

- D405,859 S \* 2/1999 Thompson ..... D21/791
- D426,607 S \* 6/2000 Wurster ..... D21/791
- D432,613 S 10/2000 Lewallen, Jr.
- D457,929 S \* 5/2002 Ciesar ..... D21/725
- D485,325 S \* 1/2004 Rohan-Weaver ..... D21/789
- D486,198 S \* 2/2004 Rohan-Weaver ..... D21/791
- D490,492 S \* 5/2004 Nemeckay ..... D21/791
- 6,955,610 B1 \* 10/2005 Czaja ..... A63B 15/005  
473/220
- D603,924 S \* 11/2009 Troutman ..... D21/791
- D627,414 S \* 11/2010 Masuda ..... D21/725
- D640,764 S \* 6/2011 Ikeda ..... D21/791

(Continued)

**Related U.S. Application Data**

- (63) Continuation of application No. 29/571,084, filed on Jul. 14, 2016, now Pat. No. Des. 769,390.

**Foreign Application Priority Data**

- Apr. 11, 2016 (CN) ..... 2016 3 0118508
- (51) **LOC (11) Cl.** ..... **21-02**
- (52) **U.S. Cl.**  
USPC ..... **D21/791**
- (58) **Field of Classification Search**  
USPC ..... D21/789, 791  
CPC .. A63B 69/36; A63B 69/3623; A63B 69/3638  
See application file for complete search history.

**References Cited**

**U.S. PATENT DOCUMENTS**

- D237,515 S \* 11/1975 Thiel ..... D21/680
- 4,027,886 A \* 6/1977 Katsube ..... A63B 69/3632  
273/456
- 4,664,388 A \* 5/1987 Huber ..... A63B 67/20  
273/DIG. 20
- D326,493 S \* 5/1992 Perry ..... D21/791
- D329,268 S \* 9/1992 Perry ..... D21/791
- 5,360,209 A \* 11/1994 Mollica ..... A63B 15/005  
473/457
- D404,097 S \* 1/1999 Tyner ..... D21/725

*Primary Examiner* — Mitchell Siegel

(74) *Attorney, Agent, or Firm* — Maier & Maier, PLLC

**CLAIM**

The ornamental design for a golf practice aid, as shown and described.

**DESCRIPTION**

FIG. 1 is a front perspective view of a golf practice aid; FIG. 2 is another front perspective view thereof; FIG. 3 is a front elevation view thereof; FIG. 4 is a rear elevation view thereof; FIG. 5 is a left elevation view thereof; FIG. 6 is a right elevation view thereof; FIG. 7 is a top plan view thereof; FIG. 8 is a bottom plan view thereof; and, FIG. 9 is a front perspective view of a golf practice aid with the sliding element being shown in an alternate position. The broken line showing of portions of the golf practice aid and environment is for illustrative purposes only and forms no part of the claimed design. Portions of the claimed design are shown separated and bound by a bracket to indicate indeterminate length. The appearance of any portion of the article between the break lines forms no part of the claimed design.

**1 Claim, 6 Drawing Sheets**



(56)

**References Cited**

U.S. PATENT DOCUMENTS

8,540,584 B1 \* 9/2013 Sorenson ..... A63B 69/36  
473/219  
D769,390 S \* 10/2016 Wang ..... D21/791

\* cited by examiner

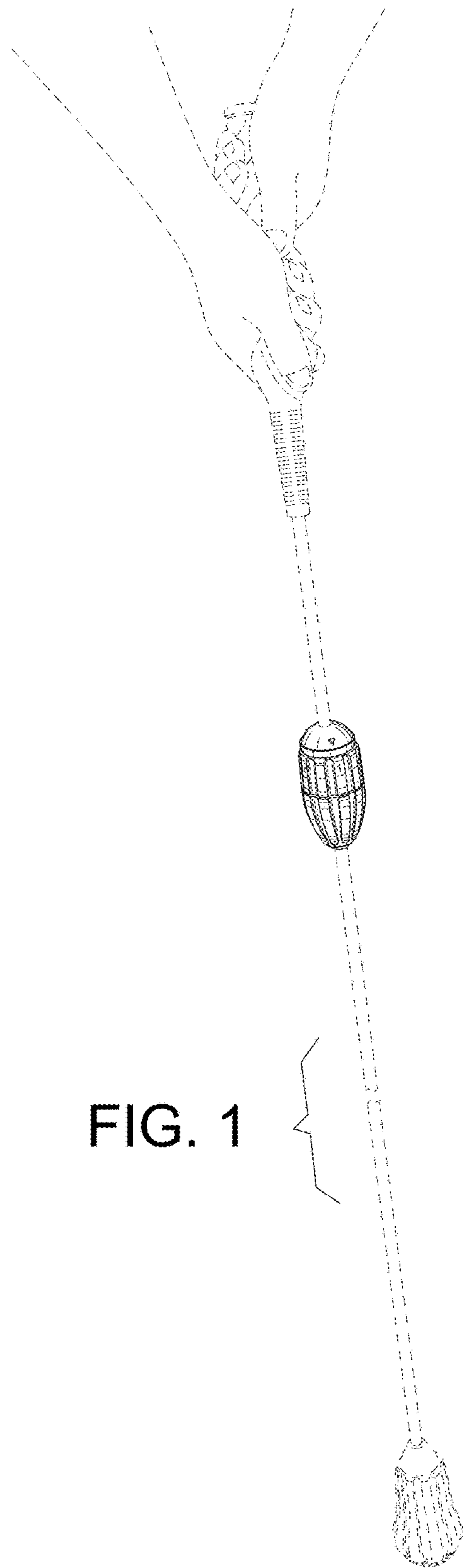


FIG. 1

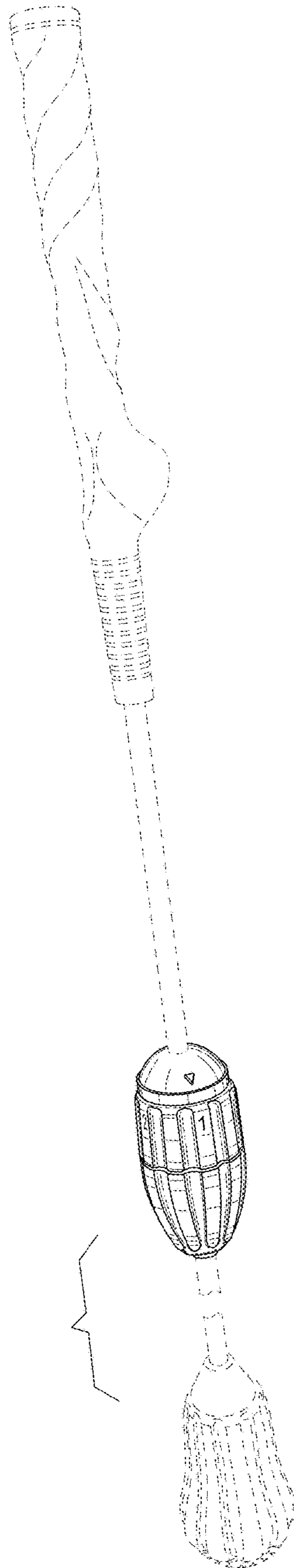


FIG. 2

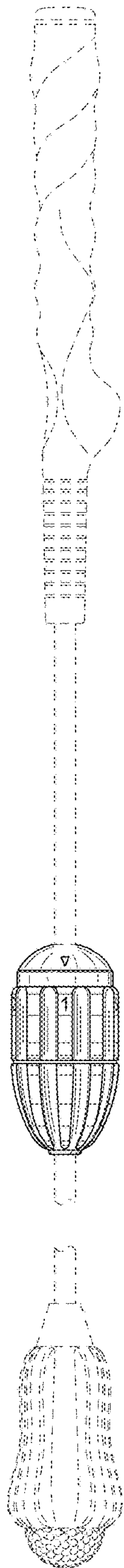


FIG. 3

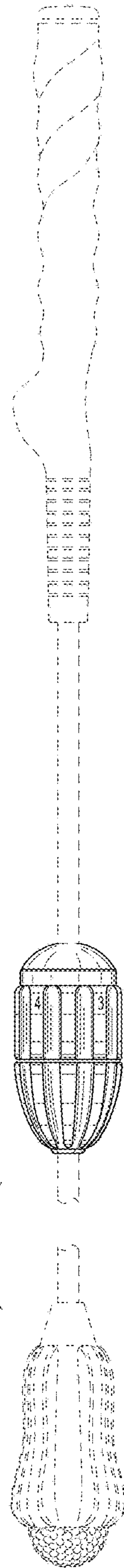


FIG. 4

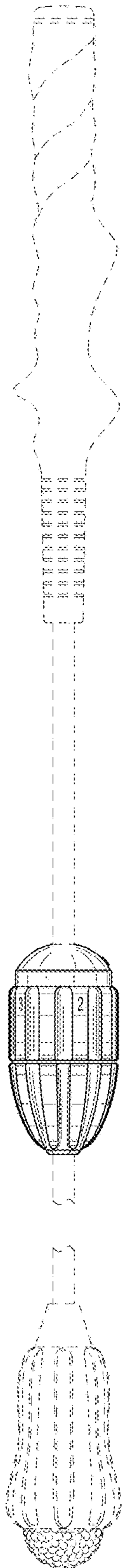


FIG. 5

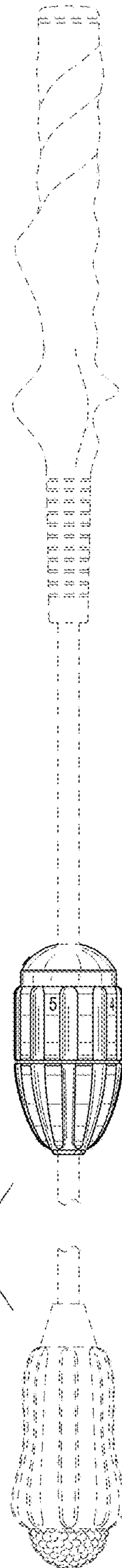


FIG. 6

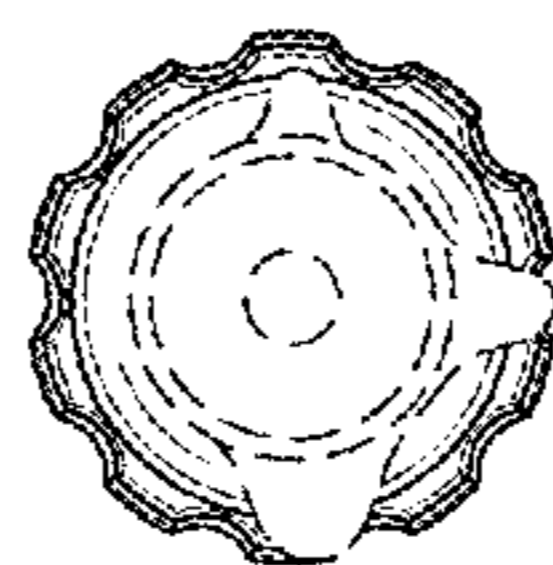


FIG. 7

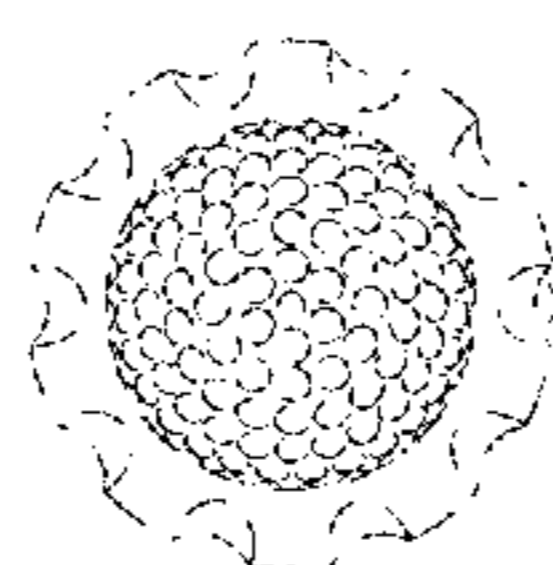


FIG. 8

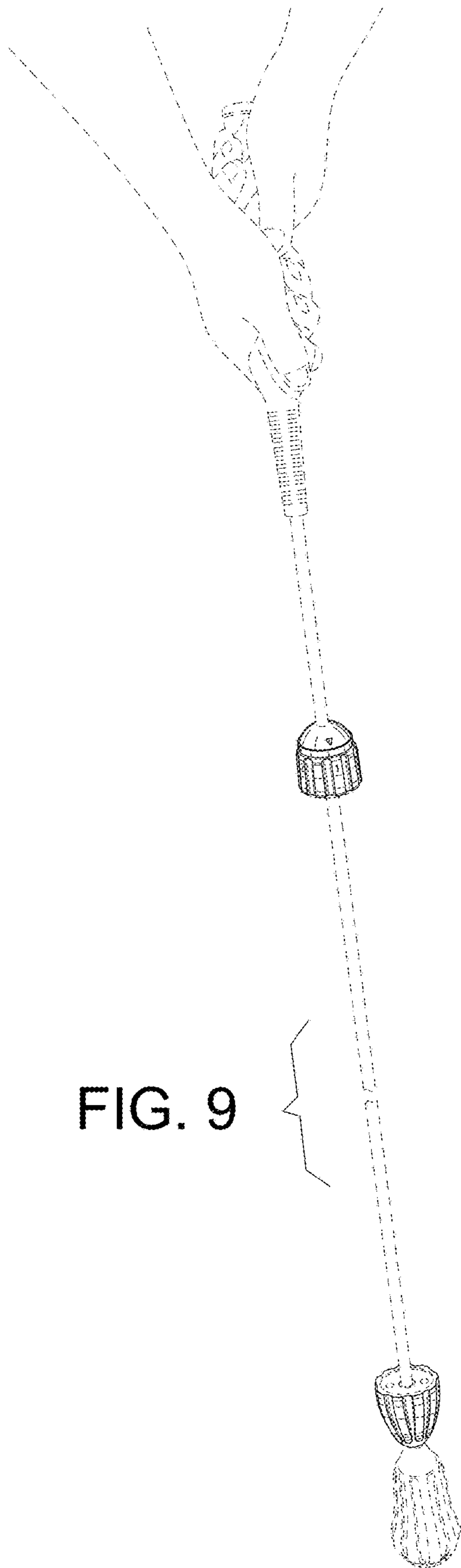


FIG. 9