



US00D808476S

(12) **United States Design Patent**
Olson

(10) **Patent No.:** **US D808,476 S**

(45) **Date of Patent:** **** Jan. 23, 2018**

- (54) **STABILITY PLATFORM BALL**
- (71) Applicant: **Jeff Olson**, San Jose, CA (US)
- (72) Inventor: **Jeff Olson**, San Jose, CA (US)
- (**) Term: **15 Years**
- (21) Appl. No.: **29/558,174**
- (22) Filed: **Mar. 15, 2016**
- (51) **LOC (11) Cl.** **21-02**
- (52) **U.S. Cl.**
USPC **D21/694**
- (58) **Field of Classification Search**
USPC D21/712, 662, 412, 686, 421, 692, 688,
D21/689; D24/215, 211; D30/160;
482/77, 123, 142, 132, 93, 126, 143, 148,
482/49, 11, 105, 111, 139; 472/135
CPC A63B 26/003; A63B 2225/62; A63B
23/0211; A63B 2208/0233; A63B 41/00;
A61H 15/00; A61H 15/0092
See application file for complete search history.

- 8,235,878 B2 * 8/2012 Signorile A63B 26/003
482/142
 - 8,376,912 B1 * 2/2013 Dedvukaj A63B 23/032
482/11
 - D689,153 S * 9/2013 Brinkley D21/662
 - D709,137 S * 7/2014 Goldman D21/412
 - D717,963 S * 11/2014 Milton D24/215
- (Continued)

- (56) **References Cited**
U.S. PATENT DOCUMENTS
- D340,487 S * 10/1993 Traub D21/712
- D478,947 S * 8/2003 Lu D21/662
- D492,791 S * 7/2004 Alexander D24/211
- D503,756 S * 4/2005 Chiang D21/662
- D521,084 S * 5/2006 Huang D21/662
- D540,887 S * 4/2007 Goldman D21/413
- D546,907 S * 7/2007 Dykgraaf D21/662
- D553,253 S * 10/2007 Gayne D24/215
- 7,303,512 B1 * 12/2007 Goldman A63B 21/0004
472/135
- 7,311,644 B2 * 12/2007 Hale A63B 21/4015
482/132
- D564,604 S * 3/2008 Mikail D21/688
- 7,993,250 B2 * 8/2011 Abbott A63B 22/203
482/126
- D648,813 S * 11/2011 Dedvukaj D21/662

OTHER PUBLICATIONS

Pono Ola by Pono Ola dated Nov. 3, 2015. Found online [Apr. 21, 2017] <https://www.instagram.com/pono.ola/>.*

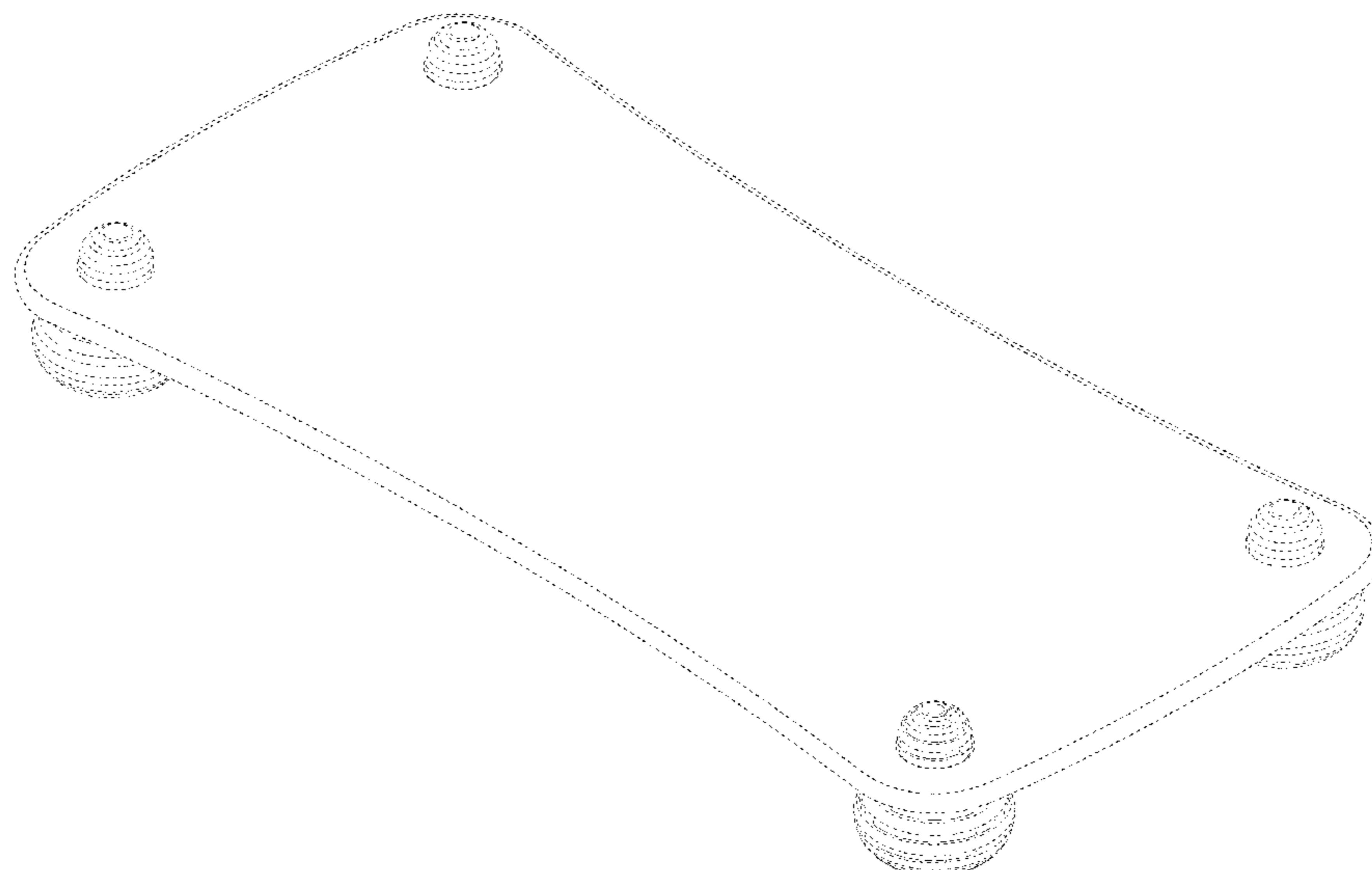
Primary Examiner — Robert M Spear
Assistant Examiner — Ryan Harvey
(74) *Attorney, Agent, or Firm* — Gazdinski & Associates, PC

(57) **CLAIM**
The ornamental design for a stability platform ball, as shown and described.

DESCRIPTION

FIG. 1 is a perspective view of a stability platform ball, showing our new design;
FIG. 2 is a top plan view thereof;
FIG. 3 is a bottom plan view thereof;
FIG. 4 is a side elevation view thereof; and,
FIG. 5 is a perspective view of the stability platform ball depicted in FIGS. 1-4, illustrating the attachment of the stability platform ball to a board.
Although only a single side elevation view is shown, it will be appreciated that other side views are identical to that which is illustrated. The broken line showing of portions of the stability platform ball depicts environment and forms no part of the claim. Additionally, the broken horizontal lines between the shaded and unshaded surfaces form the boundaries of the claim and form no part of the claim.

1 Claim, 5 Drawing Sheets



(56)

References Cited

U.S. PATENT DOCUMENTS

8,911,334 B1 * 12/2014 Cotter A63B 43/02
482/105
D757,869 S * 5/2016 Huber D21/688
2011/0111934 A1 * 5/2011 Taylor A63B 26/003
482/139
2015/0321051 A1 * 11/2015 Olson A63B 21/4037
482/139

* cited by examiner

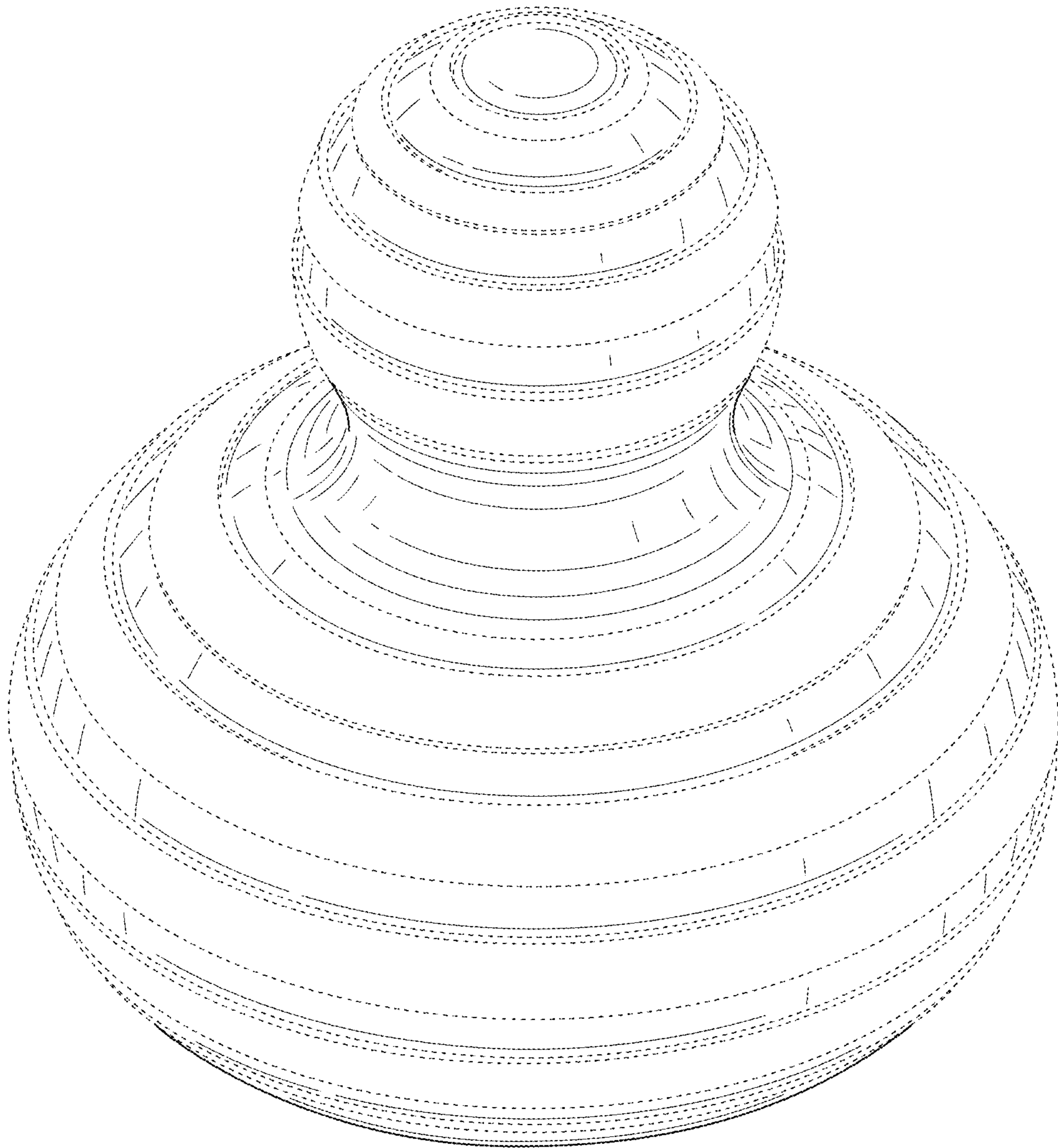


FIG. 1

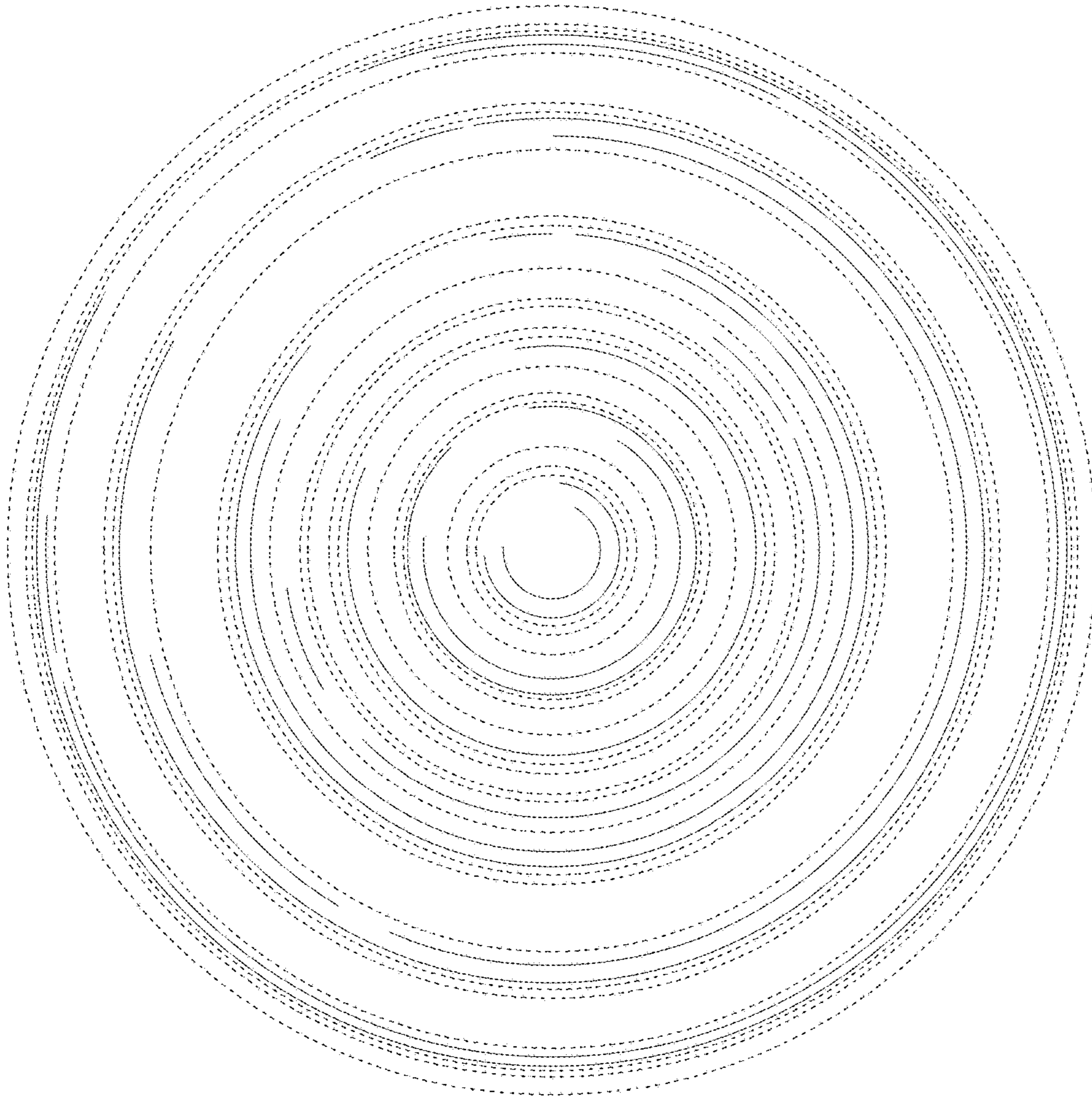


FIG. 2

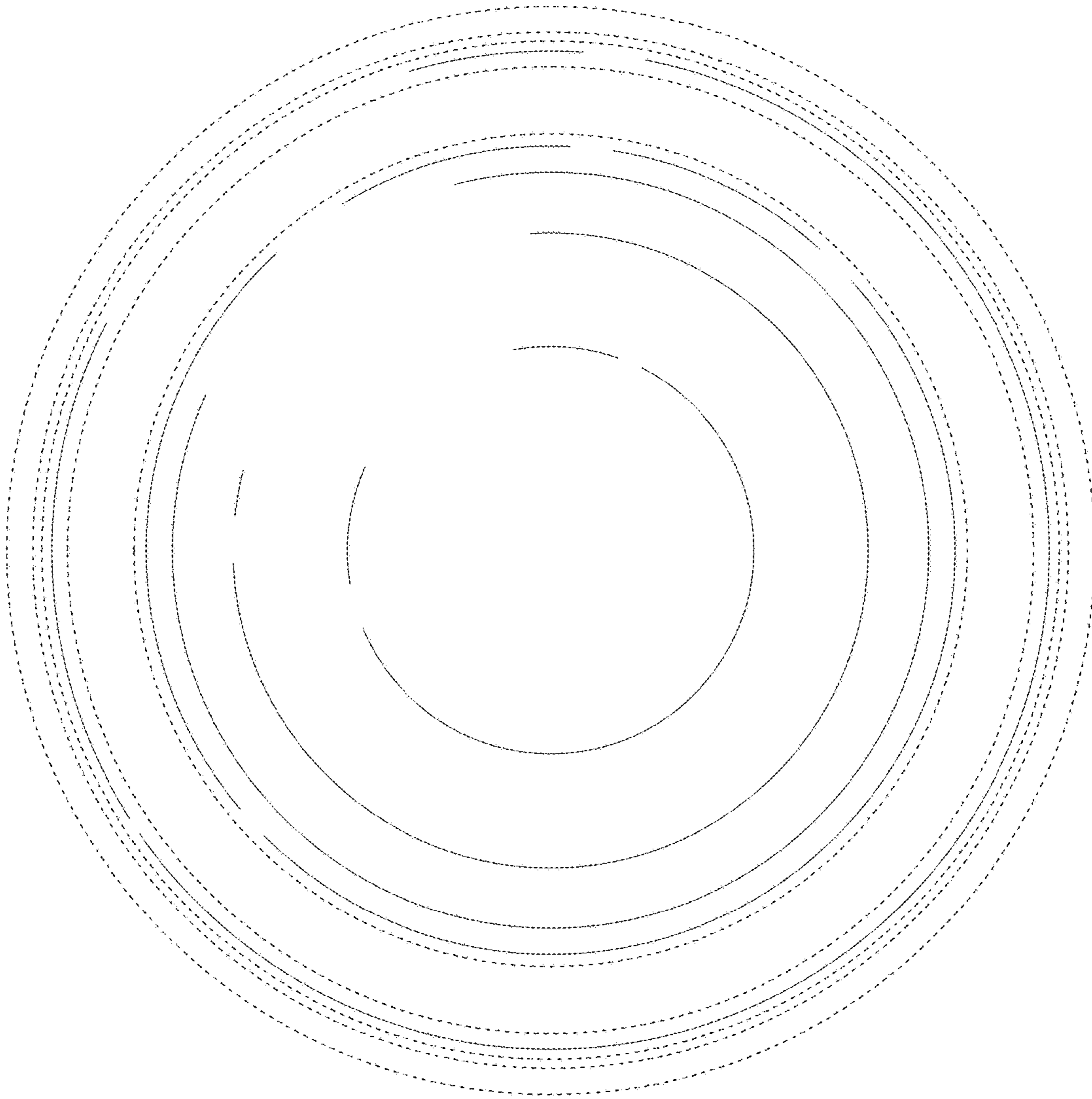


FIG. 3

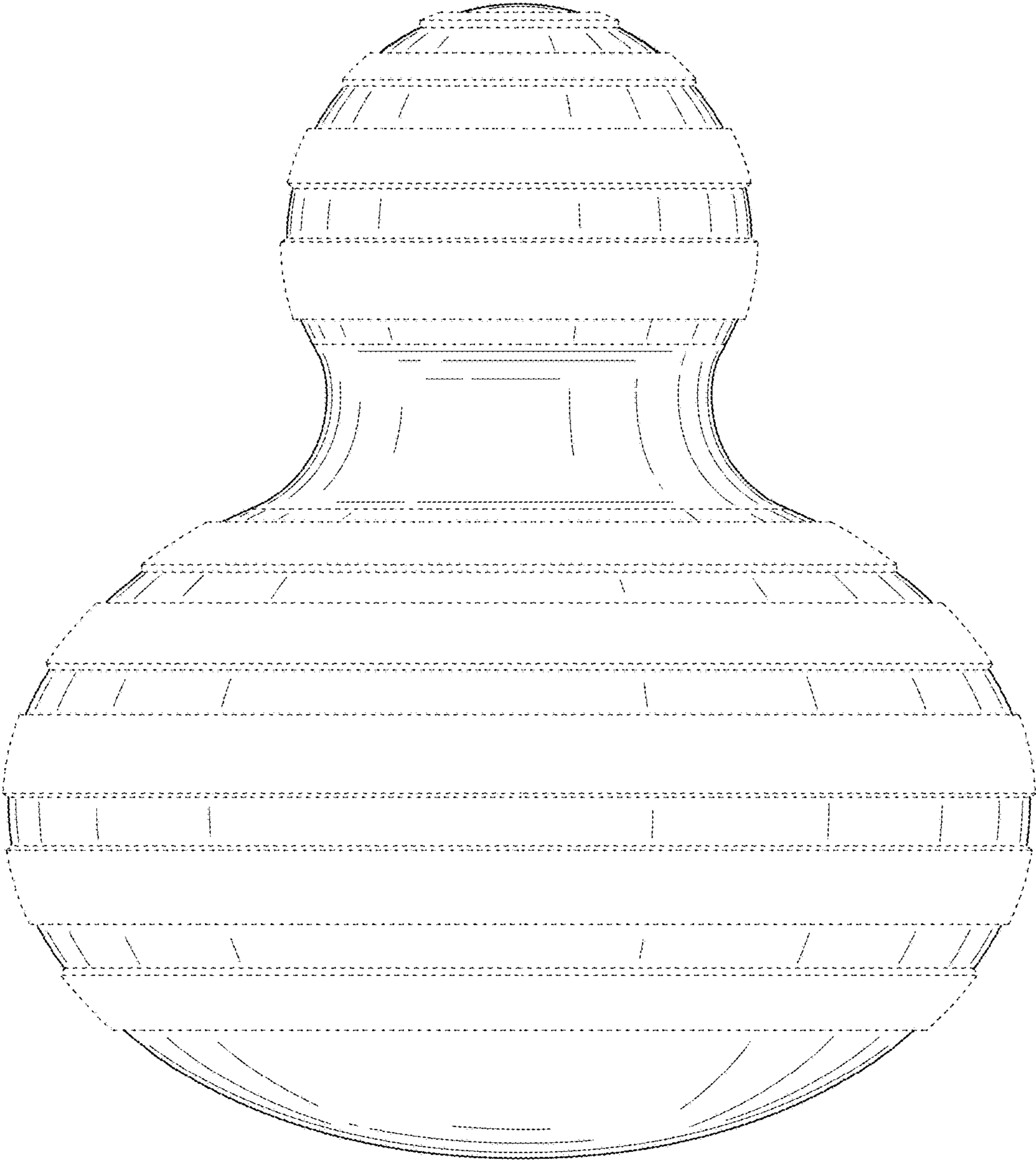


FIG. 4

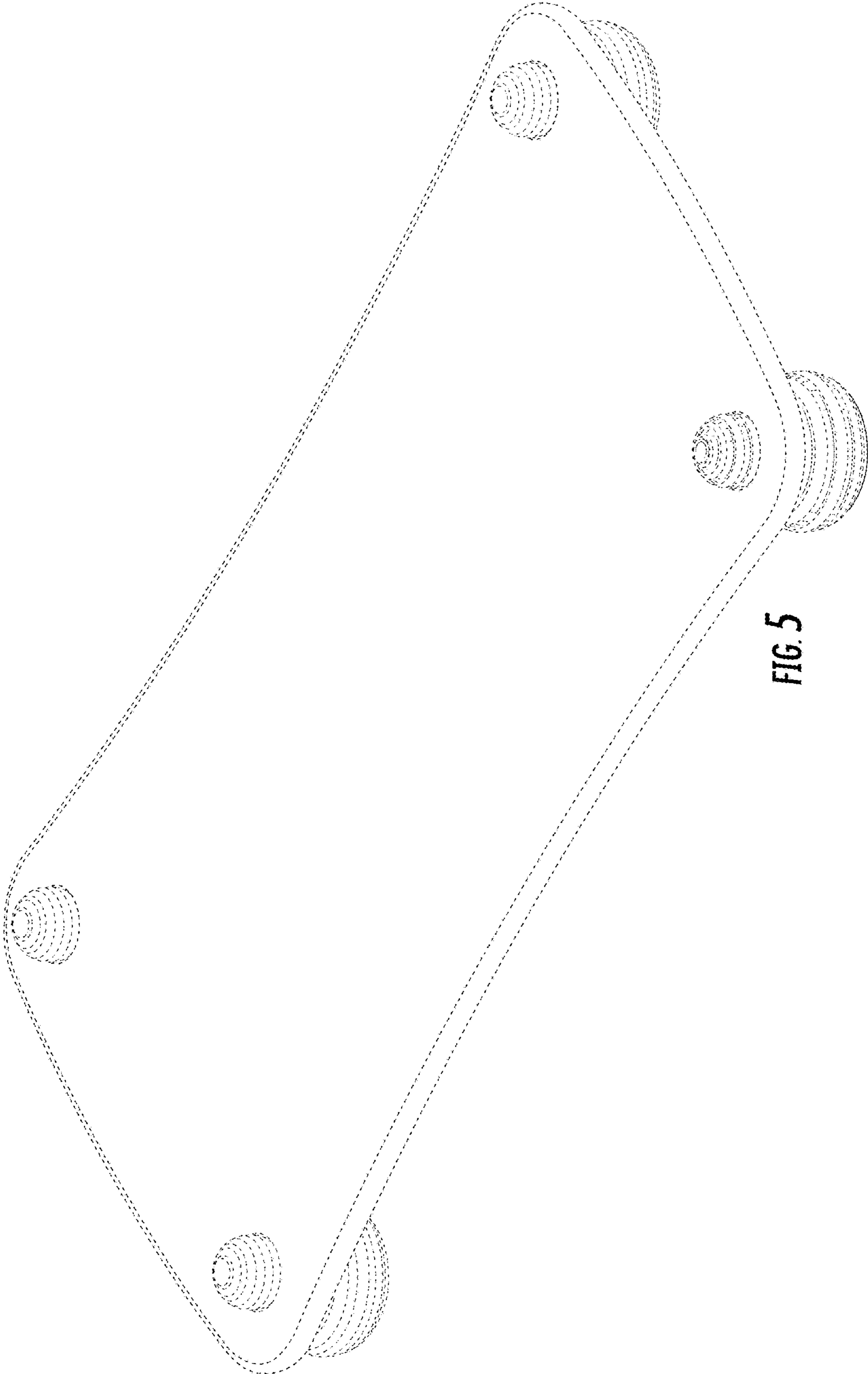


FIG. 5

UNITED STATES PATENT AND TRADEMARK OFFICE
CERTIFICATE OF CORRECTION

PATENT NO. : D808,476 S
APPLICATION NO. : 29/558174
DATED : January 23, 2018
INVENTOR(S) : Jeff Olson

Page 1 of 1

It is certified that error appears in the above-identified patent and that said Letters Patent is hereby corrected as shown below:

On the Title Page

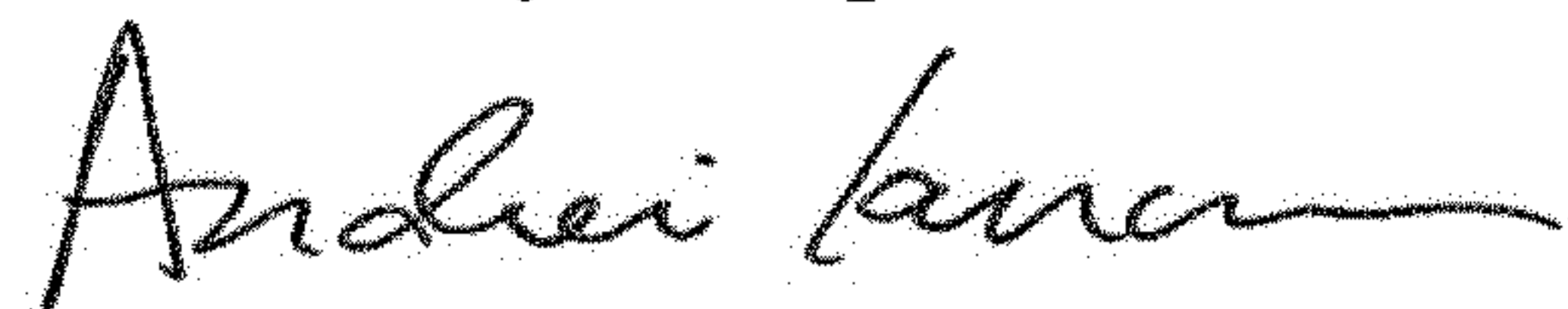
Currently reads item ((74) Attorney, Agent, or Firm):

“(74) Attorney, Agent, or Firm – Gazdinski & Associates, PC”

Should read:

-- (74) Attorney, Agent, or Firm – Gazdzinski & Associates, PC --

Signed and Sealed this
Tenth Day of September, 2019



Andrei Iancu
Director of the United States Patent and Trademark Office