



US00D808475S

(12) **United States Design Patent**
Meredith et al.

(10) **Patent No.:** **US D808,475 S**
(45) **Date of Patent:** **** Jan. 23, 2018**

(54) **FUNCTIONAL TRAINER EXERCISE MACHINE**

7,553,264 B2 * 6/2009 Carter A63B 21/154
482/102
D599,418 S * 9/2009 Fenster D21/675
7,651,443 B1 * 1/2010 Fenster A63B 23/035
482/103

(71) Applicant: **Hoist Fitness Systems, Inc.**, Poway, CA (US)

(Continued)

(72) Inventors: **Jeffrey O. Meredith**, Del Mar, CA (US); **Bruce Hockridge**, San Diego, CA (US)

(73) Assignee: **HOIST FITNESS SYSTEMS, INC.**, Poway, CA (US)

(**) Term: **15 Years**

(21) Appl. No.: **29/558,559**

(22) Filed: **Mar. 18, 2016**

(51) **LOC (11) Cl.** **21-02**

(52) **U.S. Cl.**
USPC **D21/686**

(58) **Field of Classification Search**
USPC ... 482/99, 111, 114, 121, 133, 94, 142, 130, 482/112, 100, 138, 102, 101, 15, 8, 9, 482/901, 95, 96, 51, 92, 93, 136, 104, 482/108, 97, 140, 69, 107, 98, 139, 4, 6, 482/145, 41; 434/29; D21/673, 691, D21/694, 682, 686, 675, 676, 826, 823, D21/699, 797
CPC A63B 24/0062; A63B 2210/50; A63B 2230/06; A63B 21/4035; A63B 21/154
See application file for complete search history.

(56) **References Cited**

U.S. PATENT DOCUMENTS

D200,322 S * 2/1965 Spackman D21/691
6,537,182 B2 * 3/2003 Slawinski A63B 21/00181
482/104
6,705,976 B1 * 3/2004 Piane, Jr. A63B 21/154
482/102
D578,582 S * 10/2008 Gomez D21/686

OTHER PUBLICATIONS

Hoist Fitness by Hoist Fitness dated no date given. Found online [Aug. 17, 2017] http://www.hoistfitness.com/commercial/equipment/hd-3000_dual-pulley-functional-trainer.*

Primary Examiner — Robert M. Spear

Assistant Examiner — Ryan Harvey

(74) *Attorney, Agent, or Firm* — Gordon Rees Scully Mansukhani LLP; David R. Heckadon

(57) **CLAIM**

The ornamental design for a functional trainer exercise machine, as shown and described in the accompanying figures.

DESCRIPTION

FIG. 1 is an isometric, right-front view of a functional trainer exercise machine;

FIG. 2 is an isometric, right-rear view of a functional trainer exercise machine;

FIG. 3 is a front side view of a functional trainer exercise machine;

FIG. 4 is a right side view of a functional trainer exercise machine;

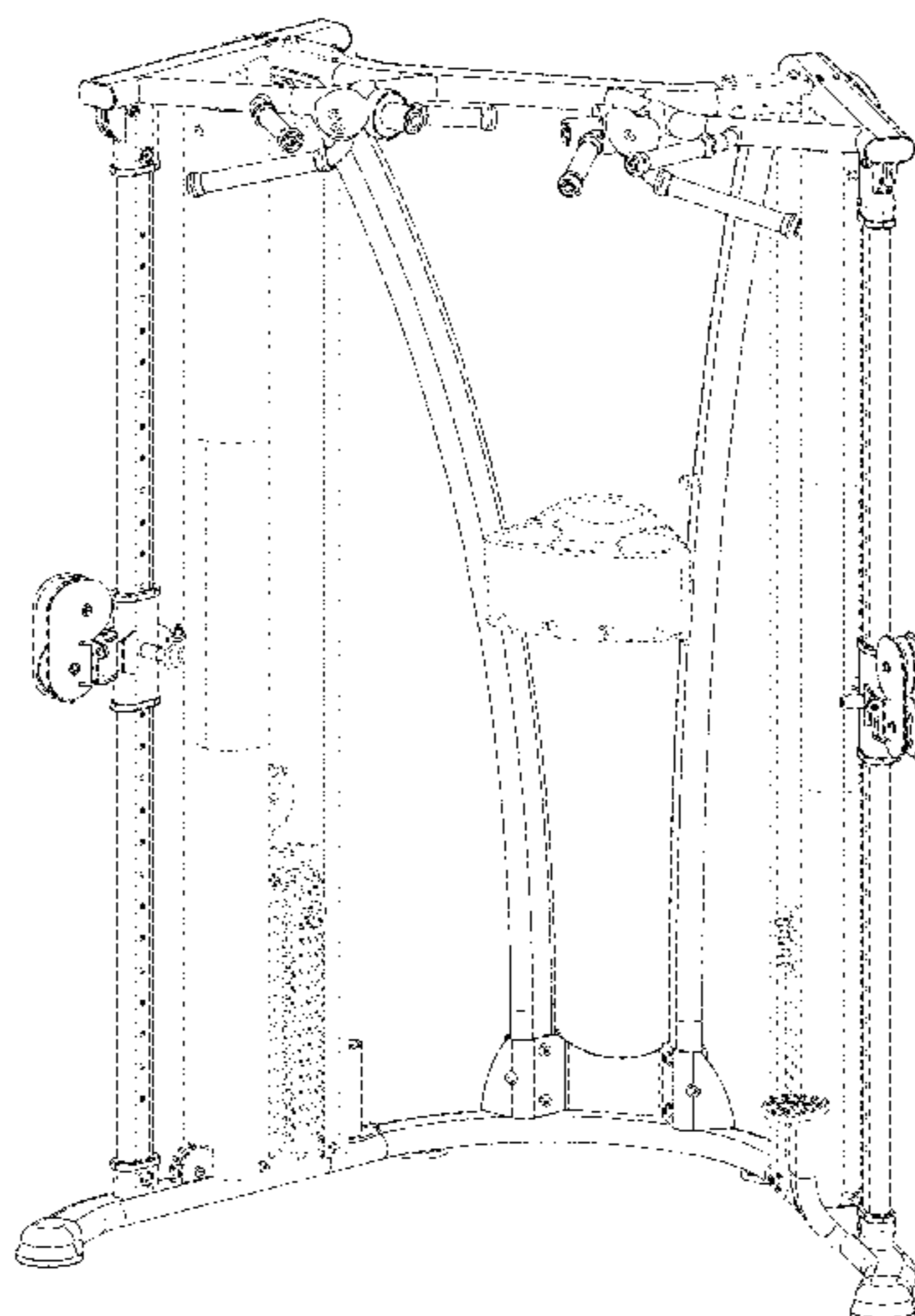
FIG. 5 is a back side view of a functional trainer exercise machine;

FIG. 6 is a top side view of a functional trainer exercise machine; and,

FIG. 7 is a bottom side view of a functional trainer exercise machine.

The broken lines in FIGS. 1 through 7 represent unclaimed environmental subject matter and form no part of the claimed design.

1 Claim, 7 Drawing Sheets



(56)

References Cited

U.S. PATENT DOCUMENTS

7,722,509 B2 * 5/2010 Eder A63B 21/156
482/101
8,506,459 B2 * 8/2013 Cassidy A63B 21/156
482/102
D746,388 S * 12/2015 Hockridge D21/673
2007/0037674 A1 * 2/2007 Finn A63B 21/156
482/97
2007/0135277 A1 * 6/2007 Alessandri A63B 21/00
482/121
2009/0170675 A1 * 7/2009 Giannelli A63B 23/03533
482/139
2009/0258761 A1 * 10/2009 Quinn A63B 21/068
482/41
2012/0329626 A1 * 12/2012 Meredith A63B 21/062
482/142
2013/0109543 A1 * 5/2013 Reyes A63B 23/03558
482/99
2013/0274075 A1 * 10/2013 Habing A63B 21/062
482/102
2015/0246258 A1 * 9/2015 Hockridge A63B 21/0628
482/99
2016/0199691 A1 * 7/2016 Hockridge A63B 23/03533
482/96

* cited by examiner

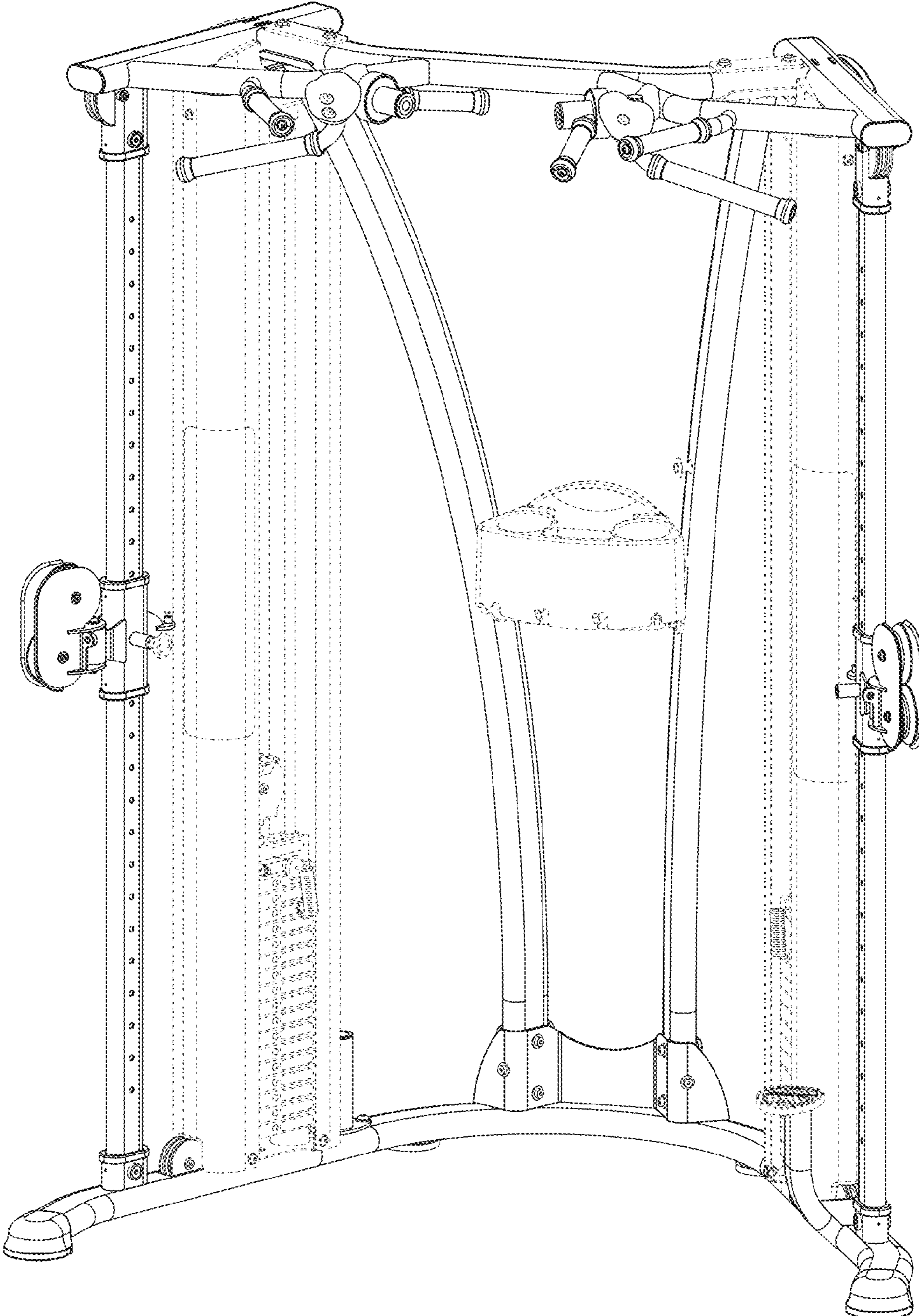


FIG. 1

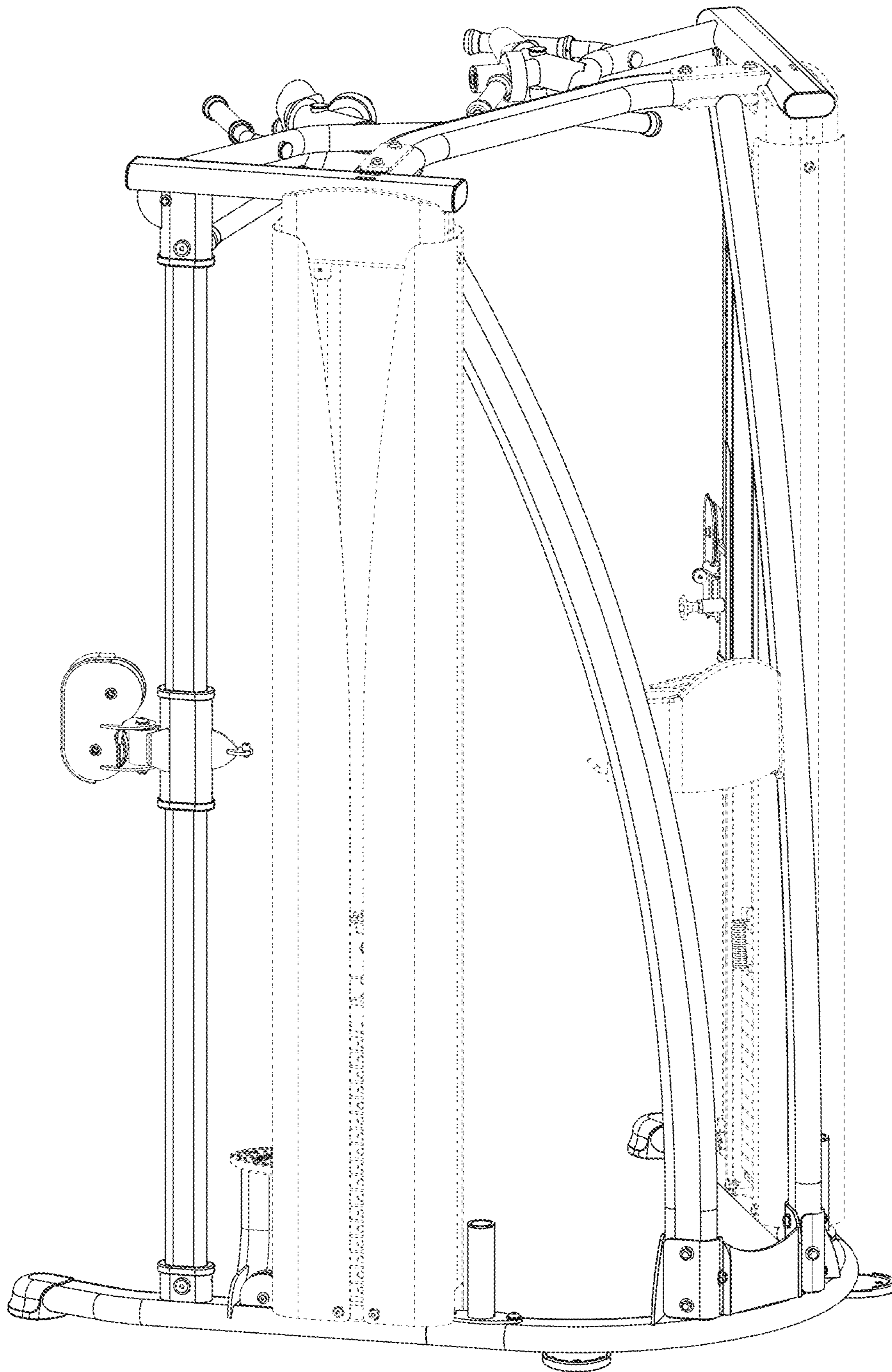


FIG. 2

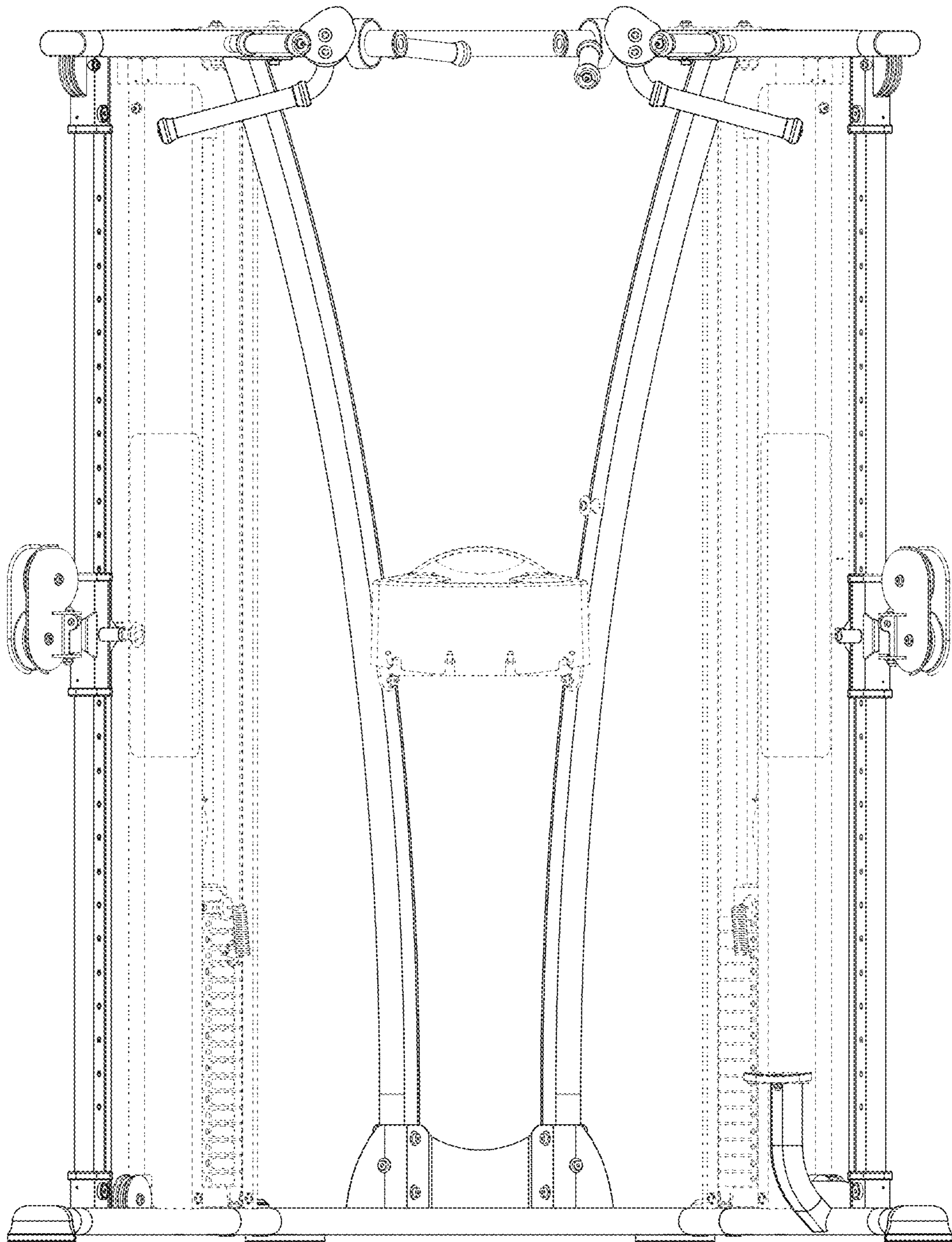


FIG. 3

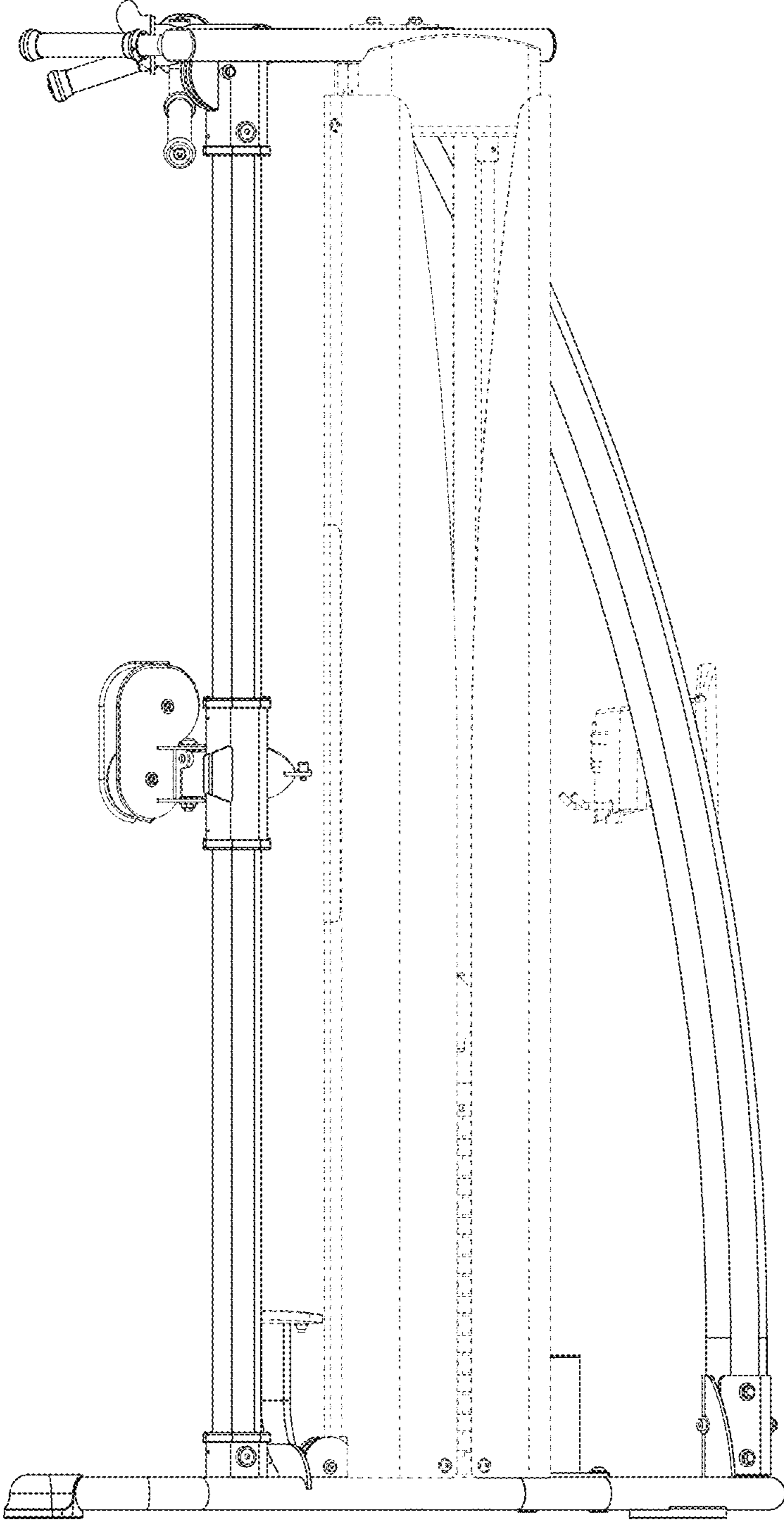


FIG. 4

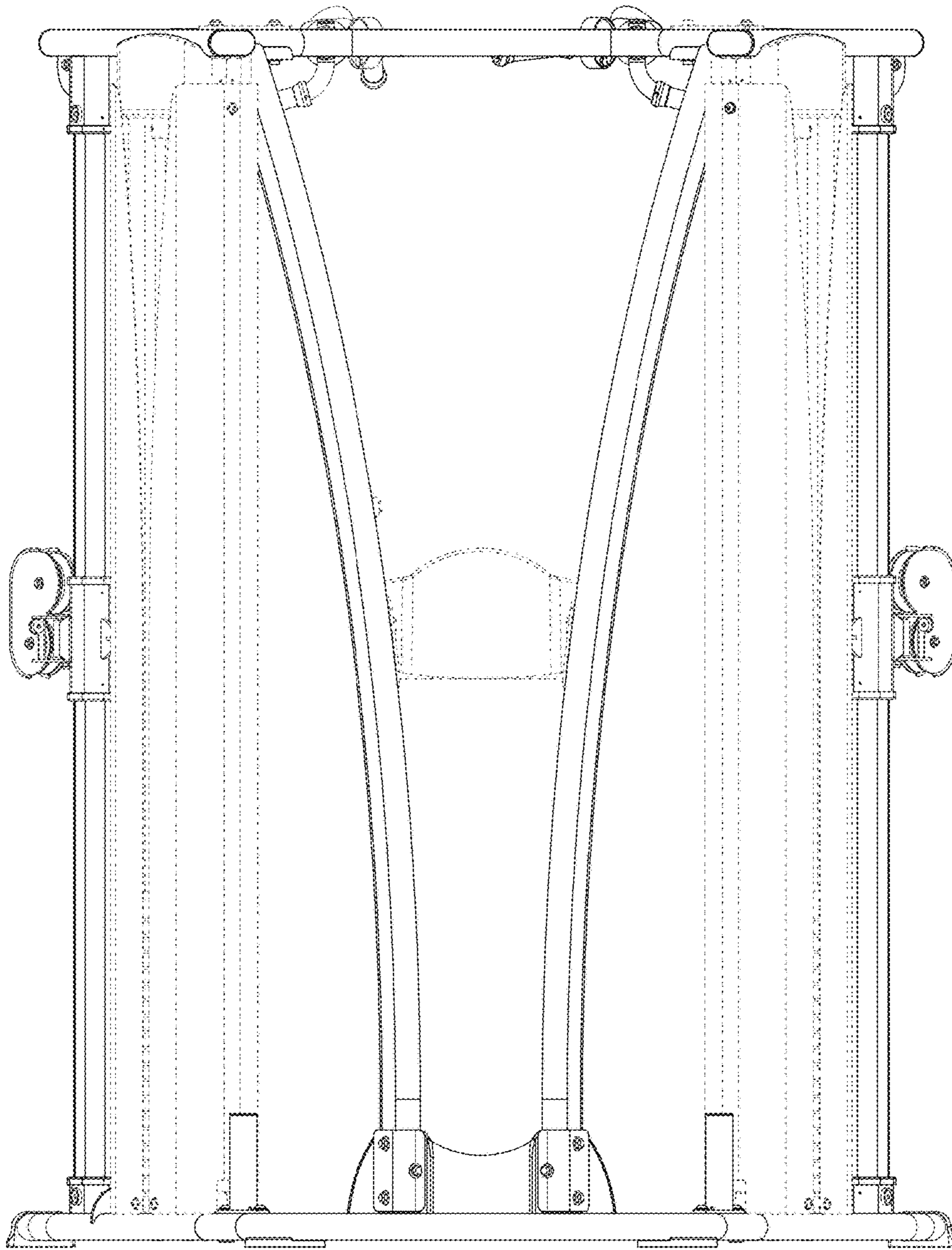


FIG. 5

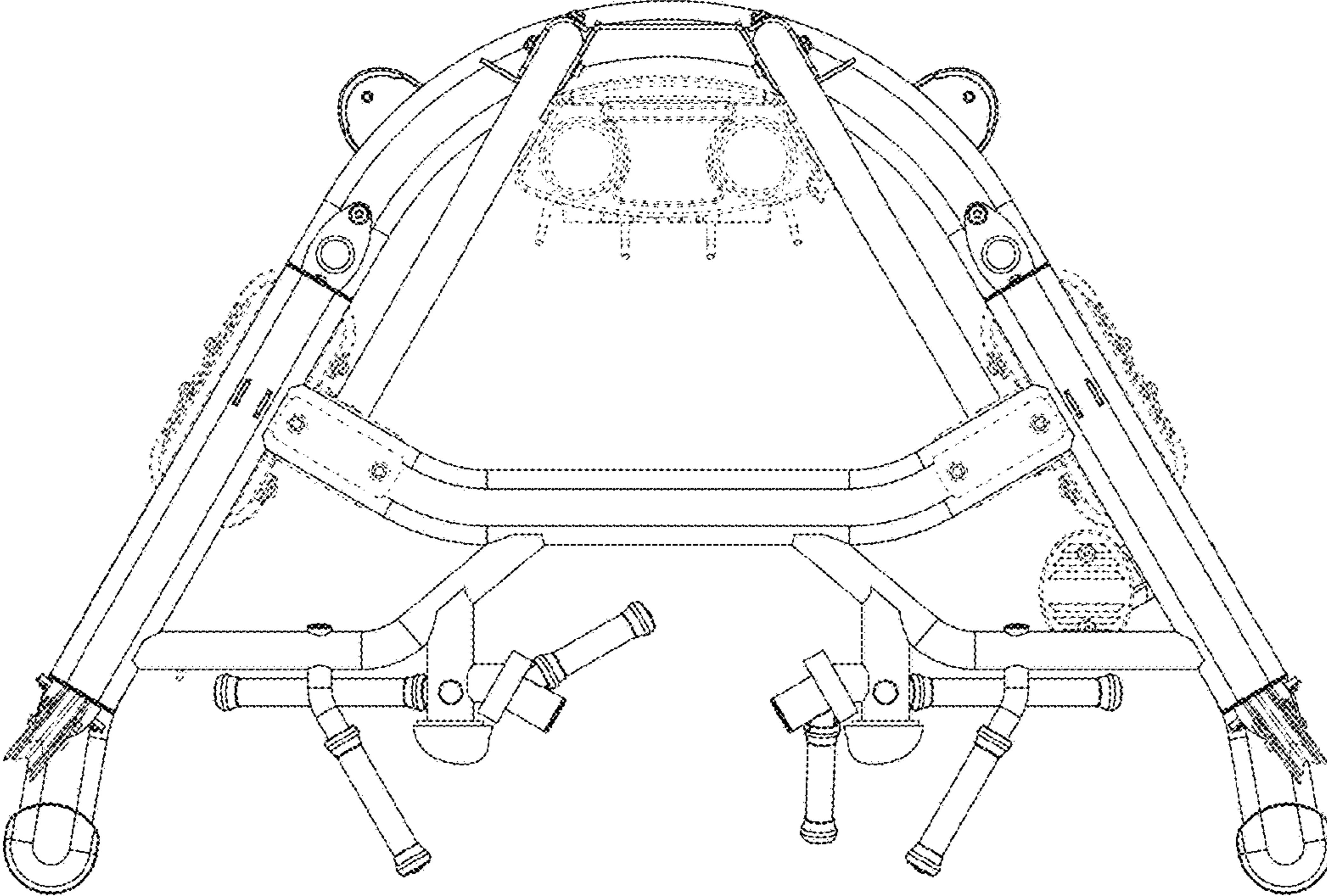


FIG. 6

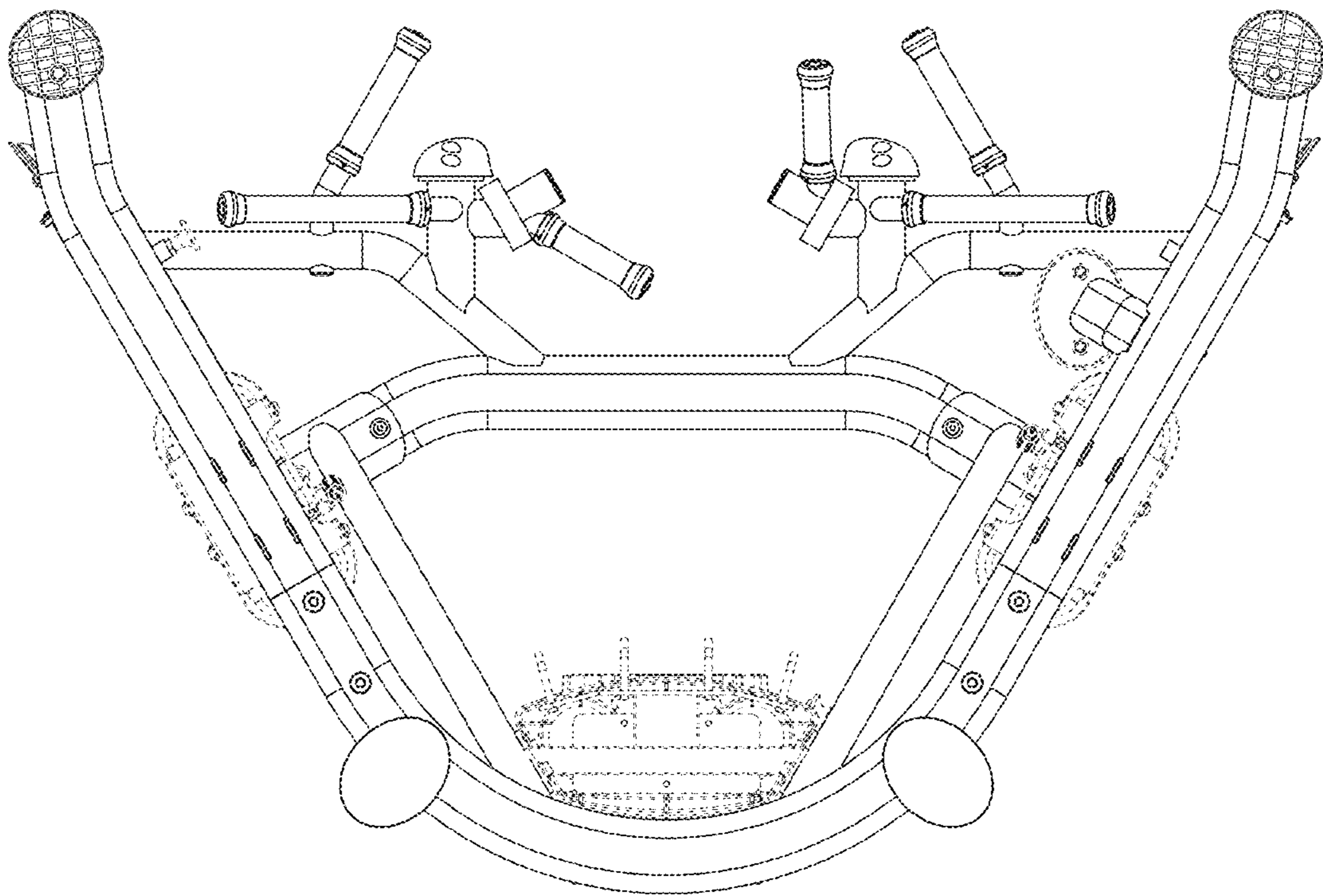


FIG. 7