

US00D808472S

(12) **United States Design Patent** (10) **Patent No.:** **US D808,472 S**  
**Chen** (45) **Date of Patent:** **\*\* Jan. 23, 2018**

(54) **TOY GUN**

(71) Applicant: **Chi E Industry Co., Ltd.**, New Taipei (TW)

(72) Inventor: **Tung-Jen Chen**, New Taipei (TW)

(73) Assignee: **Chi E Industry Co., Ltd.**, New Taipei (TW)

(\*\*) Term: **15 Years**

(21) Appl. No.: **29/548,807**

(22) Filed: **Dec. 16, 2015**

(51) **LOC (11) Cl.** ..... **21-01**

(52) **U.S. Cl.**  
USPC ..... **D21/573**

(58) **Field of Classification Search**  
USPC ..... D21/333, 401, 461, 567, 568, 570-575;  
D14/418; D22/100, 101, 103, 104, 105,  
D22/108-110; 124/16, 26, 27, 28, 29,  
124/54, 73-77; 222/78, 79; 42/54, 57,  
42/58, 71.01, 72, 73, 74, 75.03, 90;  
446/23, 182, 192, 401, 403, 405-407,  
446/473, 475  
CPC ..... F41C 23/00; F41C 23/02; F41C 23/04;  
F41C 23/06; F41C 23/08; F41C 23/10;  
F41C 23/12; F41C 23/14; F41C 23/16;  
F41C 23/18; F41C 23/20; F41C 23/22;  
F41C 7/02; F41C 7/04; F41C 7/06; F41C  
7/11; F41C 7/12

See application file for complete search history.

(56) **References Cited**

U.S. PATENT DOCUMENTS

D295,058 S *	4/1988	Turner, Jr. ....	D21/573
D410,048 S *	5/1999	Luk .....	D21/572
D517,152 S *	3/2006	Murello .....	D22/100
D536,043 S *	1/2007	Tippmann, Jr. ....	D21/573
D584,373 S *	1/2009	Young .....	F41C 23/20 D22/103
D631,931 S *	2/2011	Murello .....	D22/103
D670,783 S *	11/2012	Barrett .....	D22/103
D739,479 S *	9/2015	Yang .....	D21/570

\* cited by examiner

*Primary Examiner* — Cynthia M Chin

(74) *Attorney, Agent, or Firm* — C. G. Mersereau;  
Nikolai & Mersereau, P.A.

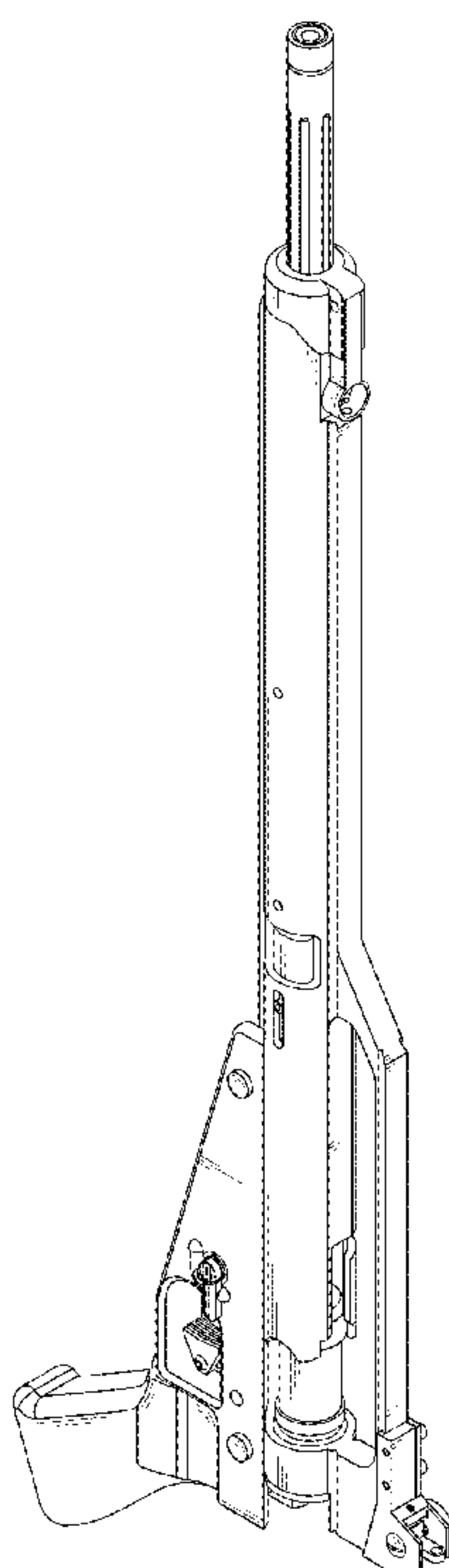
(57) **CLAIM**

The ornamental design for a toy gun, as shown and described.

**DESCRIPTION**

FIG. 1 is a perspective view of the toy gun;  
FIG. 2 is a front elevation view thereof;  
FIG. 3 is a rear elevation view thereof;  
FIG. 4 is a left side elevation view thereof;  
FIG. 5 is a right side elevation view thereof;  
FIG. 6 is a top plan view thereof; and,  
FIG. 7 is a bottom plan view thereof.  
The broken lines are for the purpose of illustrating portions of the article that form no part of the claim.

**1 Claim, 7 Drawing Sheets**



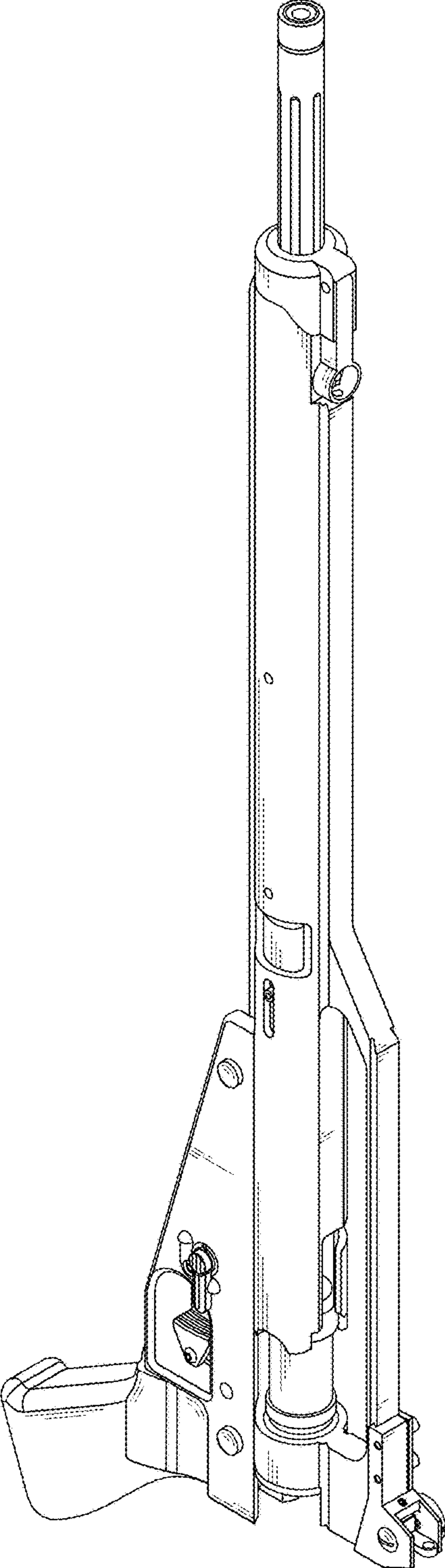


FIG.1

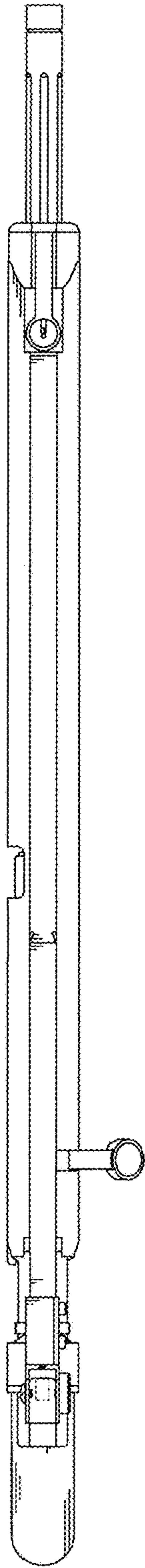


FIG.2

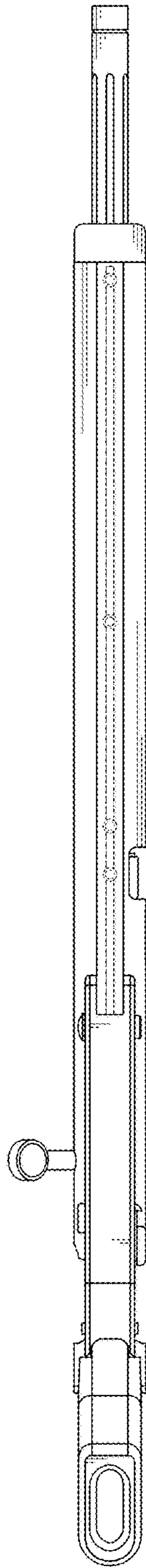


FIG.3

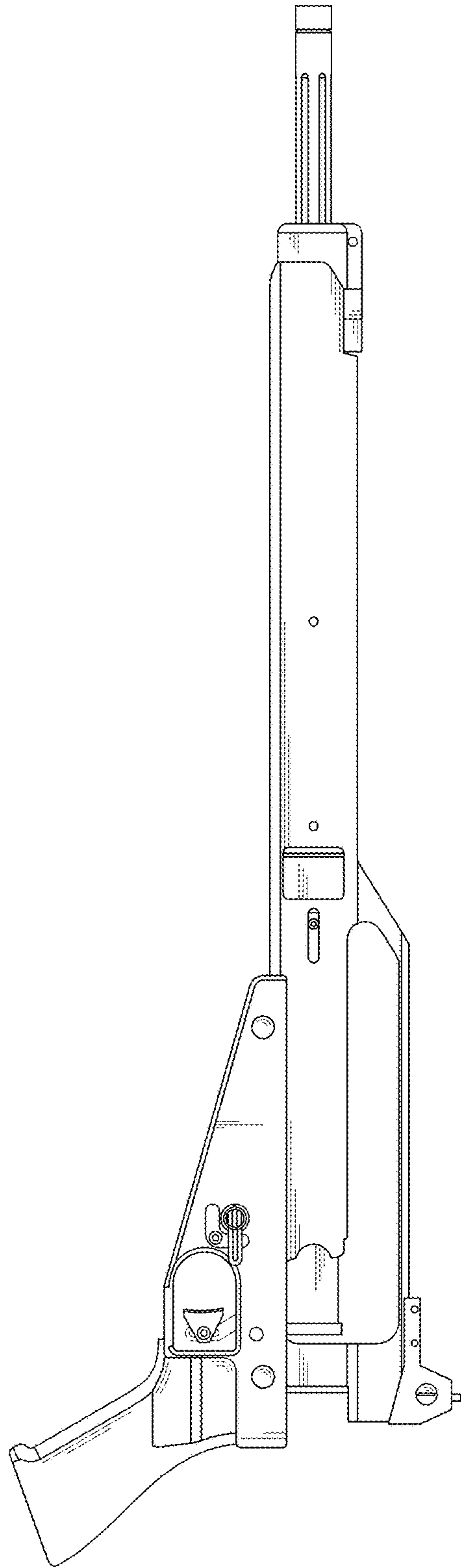


FIG.4

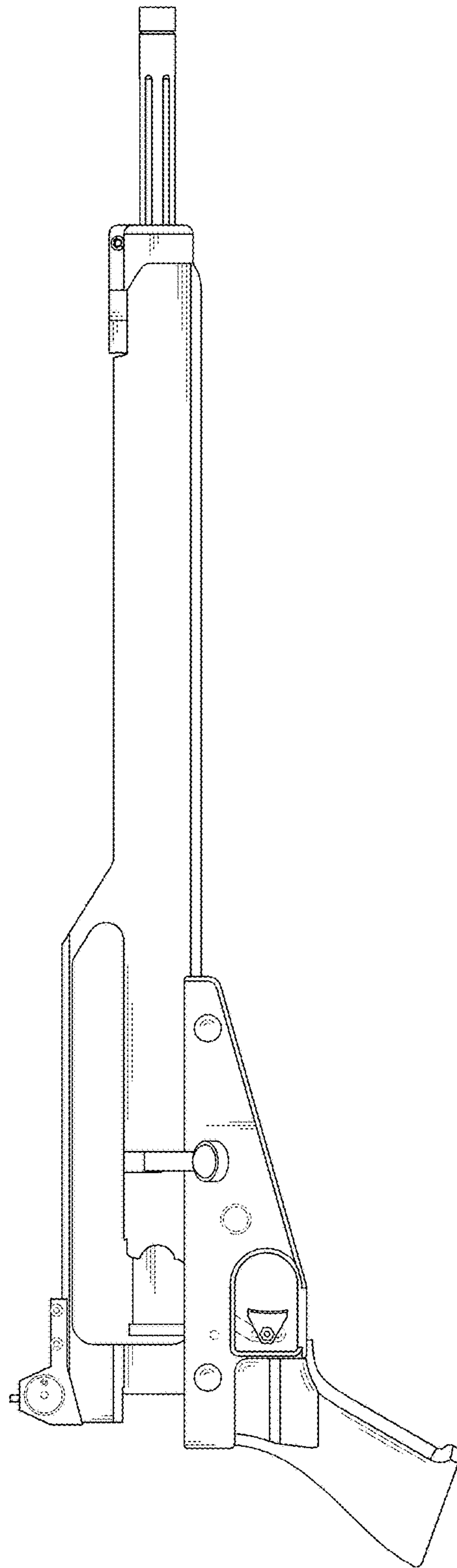


FIG.5

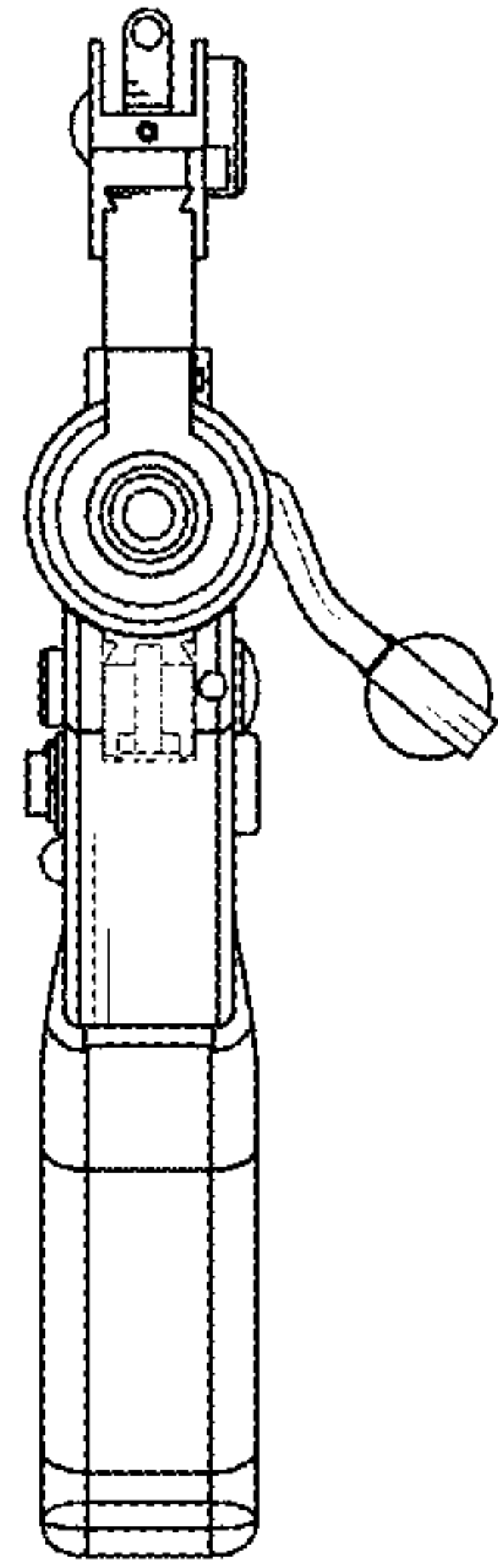


FIG.6

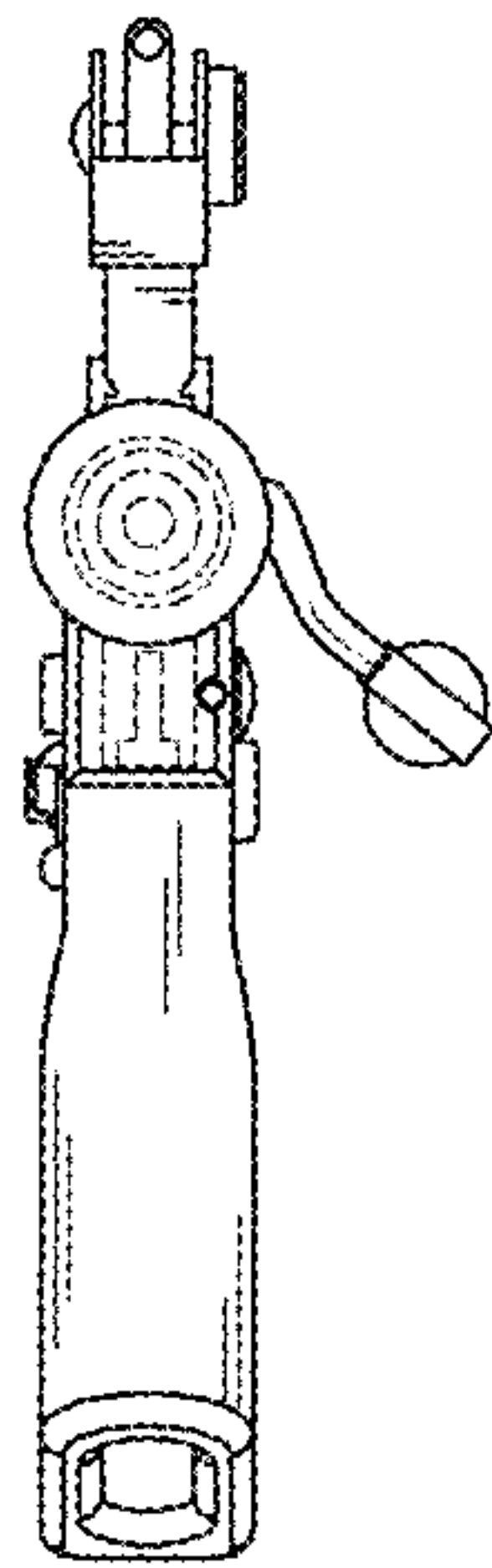


FIG.7