



US00D808470S

(12) **United States Design Patent**
Desberg

(10) **Patent No.:** **US D808,470 S**
(45) **Date of Patent:** **** Jan. 23, 2018**

- (54) **KART**
- (71) Applicant: **RAZOR USA LLC**, Cerritos, CA (US)
- (72) Inventor: **Ian Desberg**, Cerritos, CA (US)
- (73) Assignee: **RAZOR USA LLC**, Cerritos, CA (US)
- (**) Term: **15 Years**
- (21) Appl. No.: **29/604,472**
- (22) Filed: **May 17, 2017**

Related U.S. Application Data

- (63) Continuation of application No. 29/574,741, filed on Aug. 18, 2016, now Pat. No. Des. 787,610, which is a continuation of application No. 29/530,064, filed on Jun. 12, 2015, now Pat. No. Des. 764,601.

- (51) **LOC (11) Cl.** **21-01**
- (52) **U.S. Cl.**
USPC **D21/425**

- (58) **Field of Classification Search**
USPC D21/419, 421, 423, 426, 662, 760, 765, D21/766, 769, 771, 776, 803; D12/1, 6, D12/130; 280/7.14, 11.115, 11.19, 11.27, 280/11.28, 14.21, 79.11, 79.2, 87.01, 280/87.021, 87.03, 87.041, 87.042, 607, 280/608, 609, 809; 180/180, 181; 434/247, 253, 258; D34/23, 28
CPC . A63C 17/00; A63C 17/0026; A63C 17/0033; A63C 17/01; A63C 17/04; A63C 17/265; A63C 17/26; A63C 17/28; B62K 3/002
See application file for complete search history.

- (56) **References Cited**
U.S. PATENT DOCUMENTS

2,219,905 A 10/1940 Prickman
D213,370 S 2/1969 Cherry

3,437,161 A	4/1969	Ufford	
D214,576 S	7/1969	King	
D215,861 S	11/1969	Cook	
D220,509 S	4/1971	Schreckengost	
3,604,722 A	9/1971	Boley	
3,870,334 A	3/1975	Cole	
D251,324 S	3/1979	Vaughn	
D252,651 S	8/1979	Tepper	
D254,380 S	3/1980	Thomas	
D258,368 S	2/1981	Cornish	
D266,100 S	9/1982	Miller	
4,359,231 A	11/1982	Mulcahy	
D276,058 S	10/1984	Rogers	
4,484,646 A	11/1984	Smith	
4,516,648 A	5/1985	Berger	
4,562,893 A	1/1986	Cunard	
4,573,696 A	3/1986	Buroff	
4,645,257 A	2/1987	Salmon	
D292,301 S *	10/1987	Lohmann D21/435
D300,127 S	3/1989	Poss	

(Continued)

Primary Examiner — Cynthia M Chin

(74) *Attorney, Agent, or Firm* — Knobbe, Martens, Olson & Bear, LLP

(57) **CLAIM**

The ornamental design for a kart, as shown and described.

DESCRIPTION

FIG. 1 is a front perspective view of a kart, which embodies my design.

FIG. 2 is a front view of the kart of FIG. 1.

FIG. 3 is a rear view of the kart of FIG. 1.

FIG. 4 is a left side view of the kart of FIG. 1.

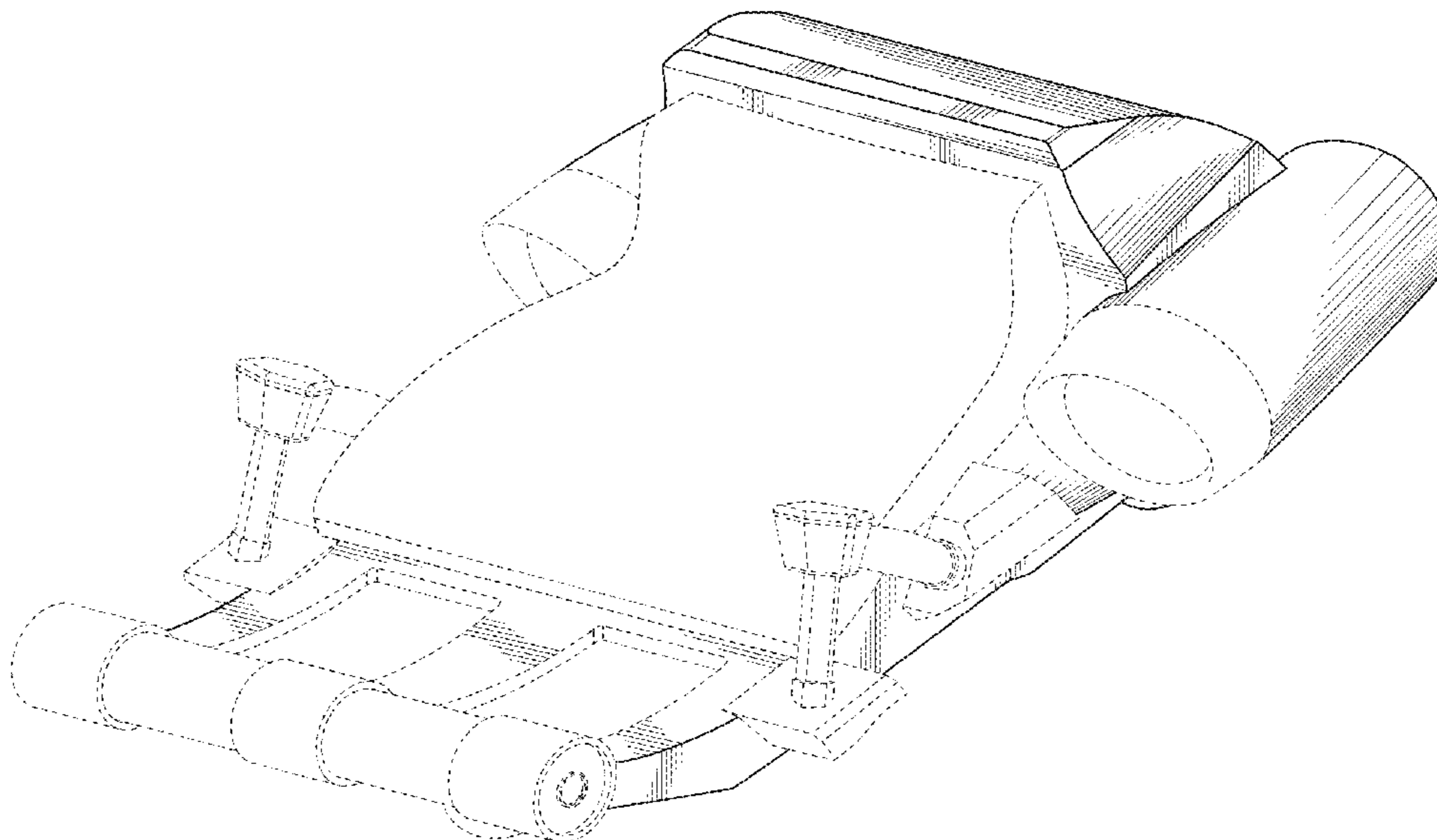
FIG. 5 is a ride side view of the kart of FIG. 1.

FIG. 6 is a top view of the kart of FIG. 1; and,

FIG. 7 is a bottom view of the kart of FIG. 1.

Broken lines are used to illustrate portions of the kart which form no part of the claimed design.

1 Claim, 5 Drawing Sheets



(56)

References Cited

U.S. PATENT DOCUMENTS

D301,497 S 6/1989 Gassaway
 4,875,694 A 10/1989 Hamrick
 4,896,899 A 1/1990 Lawrence
 D316,281 S 4/1991 Mirisch, Sr.
 5,046,750 A 9/1991 Heubl
 5,069,469 A 12/1991 Rosengrant
 5,265,690 A 11/1993 Amundsen et al.
 D343,424 S 1/1994 Lamb
 D368,743 S 4/1996 Amburgey
 D382,917 S 8/1997 Brodoski
 D384,706 S 10/1997 Temple
 D406,684 S 3/1999 Pool
 D412,138 S 7/1999 Triarsi et al.
 D437,364 S 2/2001 Jang
 D440,607 S 4/2001 Mahlow
 D446,827 S * 8/2001 You D21/424
 6,276,700 B1 * 8/2001 Way B62B 15/008
 280/267
 D464,999 S 10/2002 Gu
 D465,814 S 11/2002 Koveleski
 D466,560 S 12/2002 Stolpmann
 D469,819 S 2/2003 Nicolle et al.
 D471,936 S 3/2003 Tilbor
 D512,467 S 12/2005 Hadley
 7,114,742 B1 10/2006 Sterns
 7,198,322 B2 * 4/2007 Savo B62D 35/005
 296/180.5

D562,914 S 2/2008 Oveson et al.
 7,328,764 B2 2/2008 Penz
 D570,572 S * 6/2008 Whiteside D34/23
 D582,992 S 12/2008 Alais
 D601,640 S 10/2009 McIlvain
 7,726,668 B2 6/2010 Sieb et al.
 D637,660 S * 5/2011 Markowitz D21/424
 8,210,555 B2 7/2012 Belenkov et al.
 D705,128 S 5/2014 Patterson et al.
 8,801,005 B1 8/2014 Flickner
 D761,700 S 7/2016 Kermani
 D764,600 S 8/2016 Desberg
 D764,601 S 8/2016 Desberg
 D766,780 S 9/2016 Fusco
 D768,788 S 10/2016 Orenstein et al.
 D771,196 S 11/2016 Chen
 D764,602 S 12/2016 Desberg
 D774,602 S 12/2016 Desberg
 D774,981 S 12/2016 Chen
 D775,282 S 12/2016 Williams et al.
 D787,609 S 5/2017 Desberg
 D787,610 S 5/2017 Desberg
 D792,811 S * 7/2017 Kermani D12/112
 D792,927 S 7/2017 Desberg
 D793,480 S * 8/2017 Chen D21/424
 D793,481 S * 8/2017 Kermani D21/426
 D793,912 S * 8/2017 Kermani D12/112
 2002/0017418 A1 2/2002 Korenjack et al.

* cited by examiner

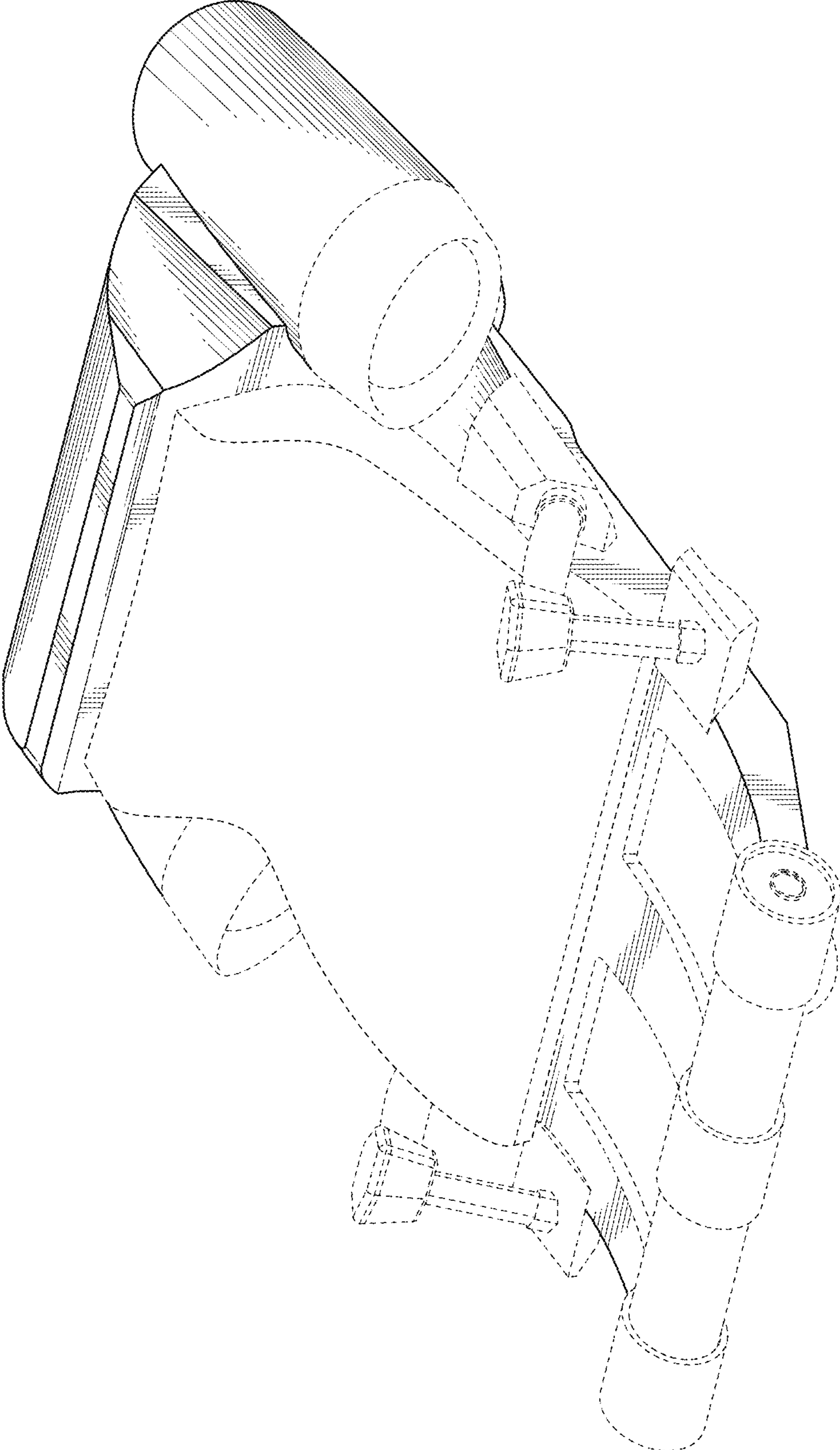


FIG. 1

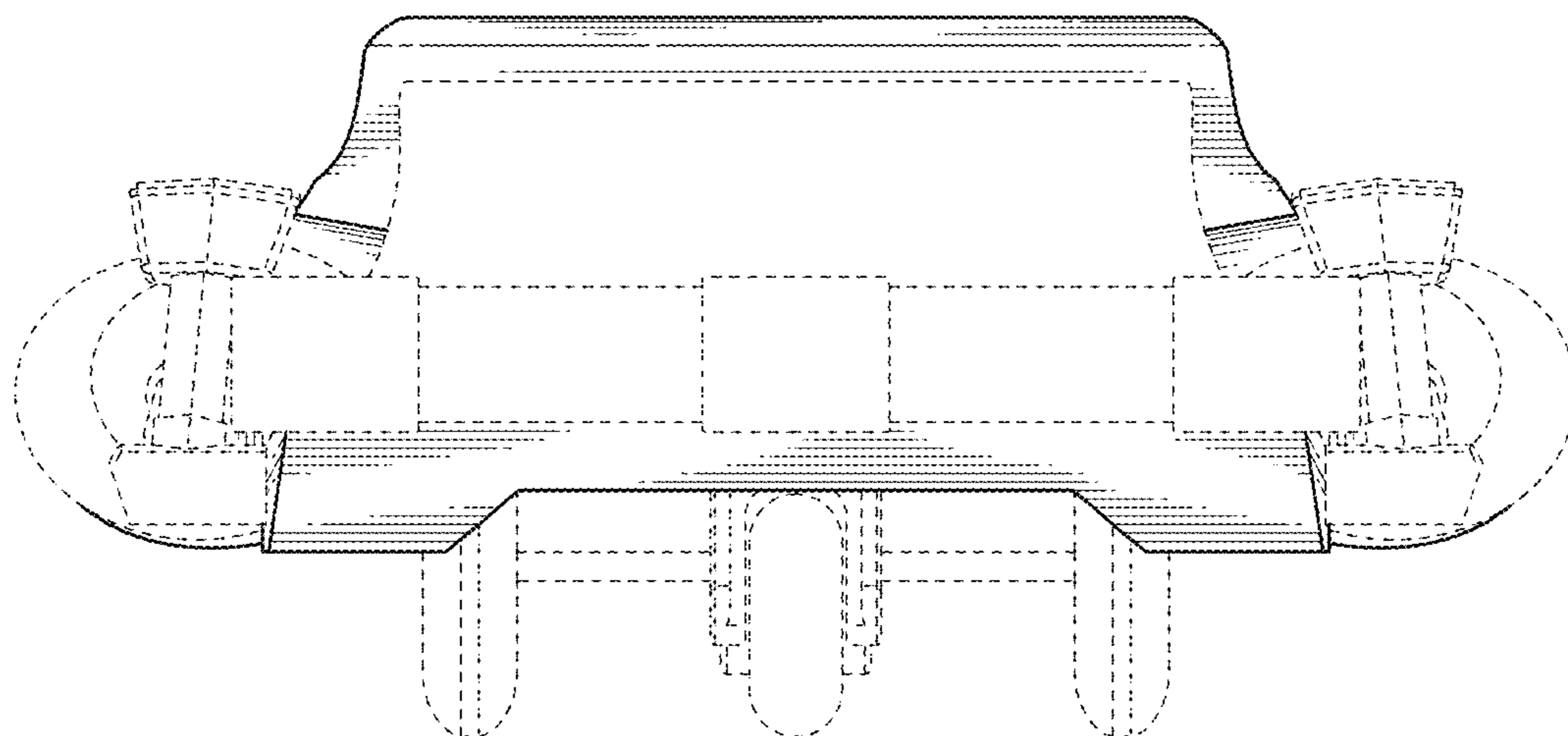


FIG. 2

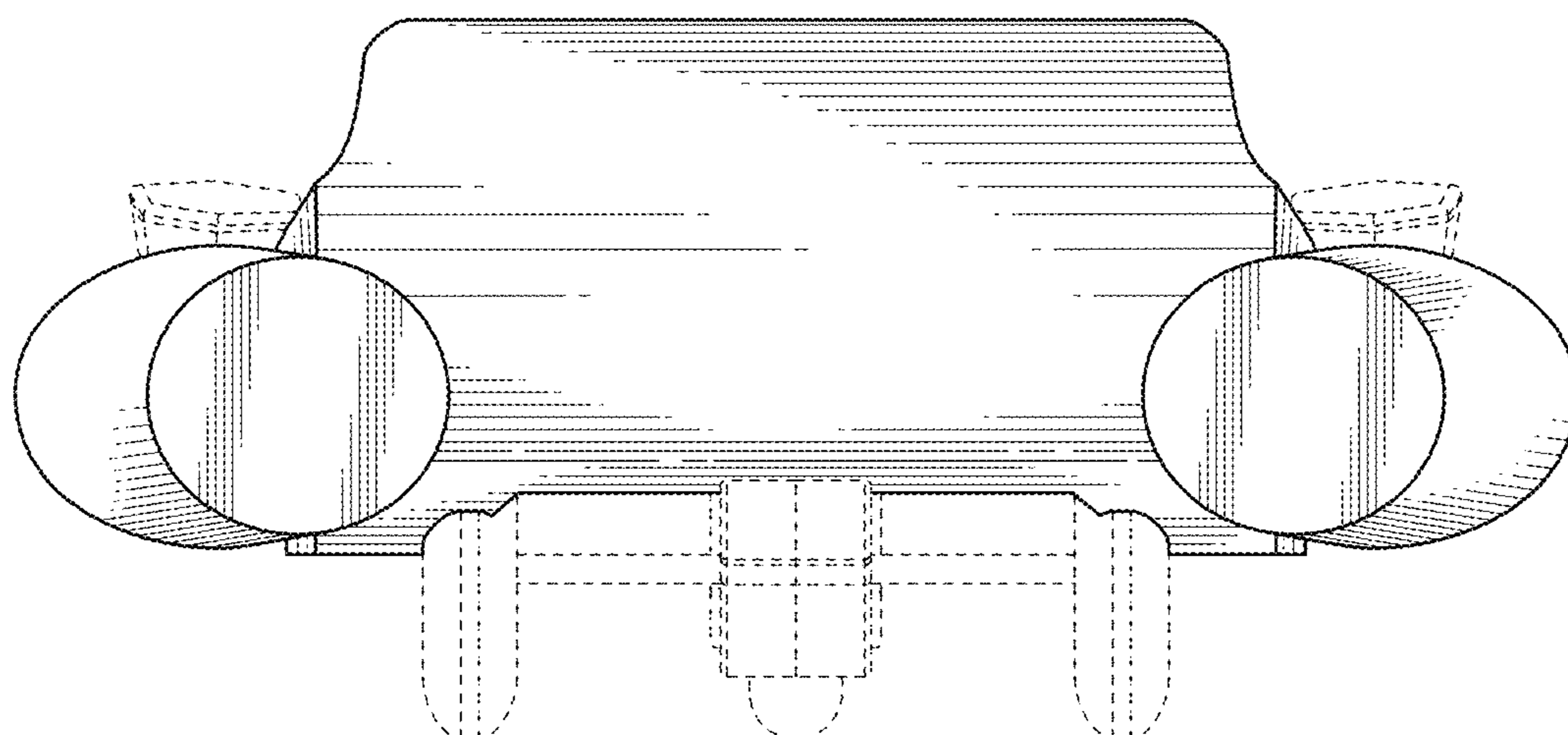


FIG. 3

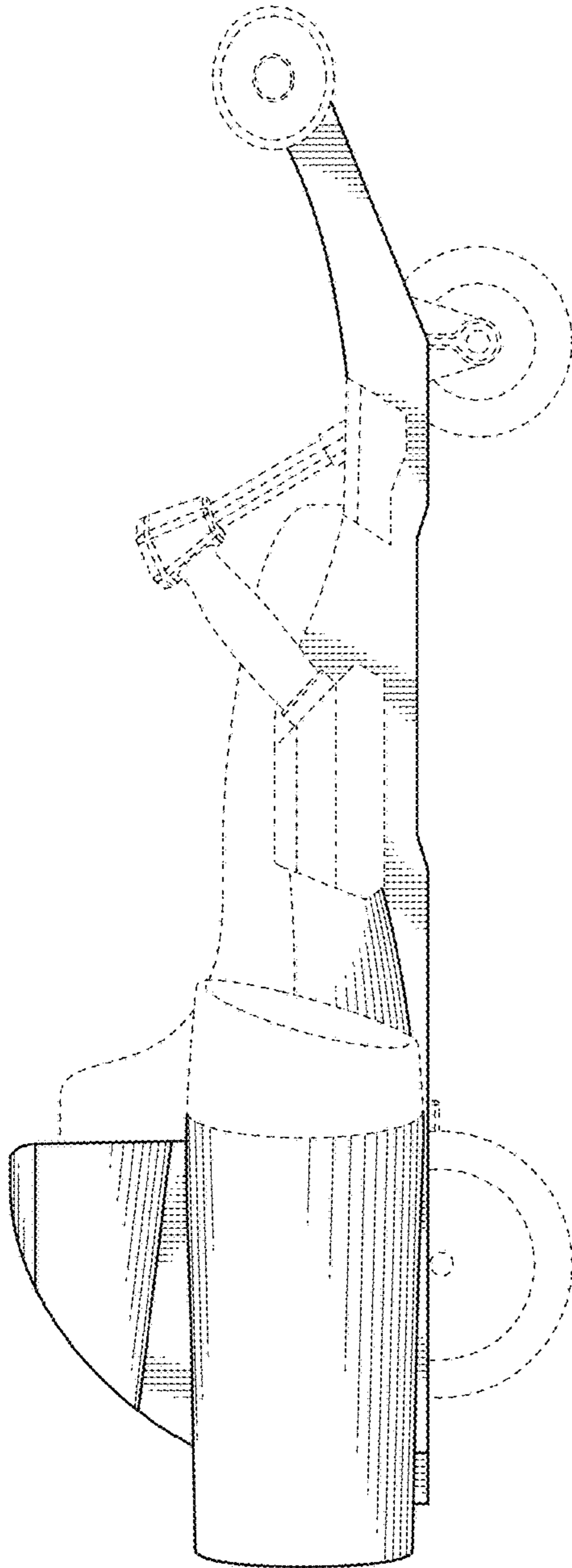


FIG. 4

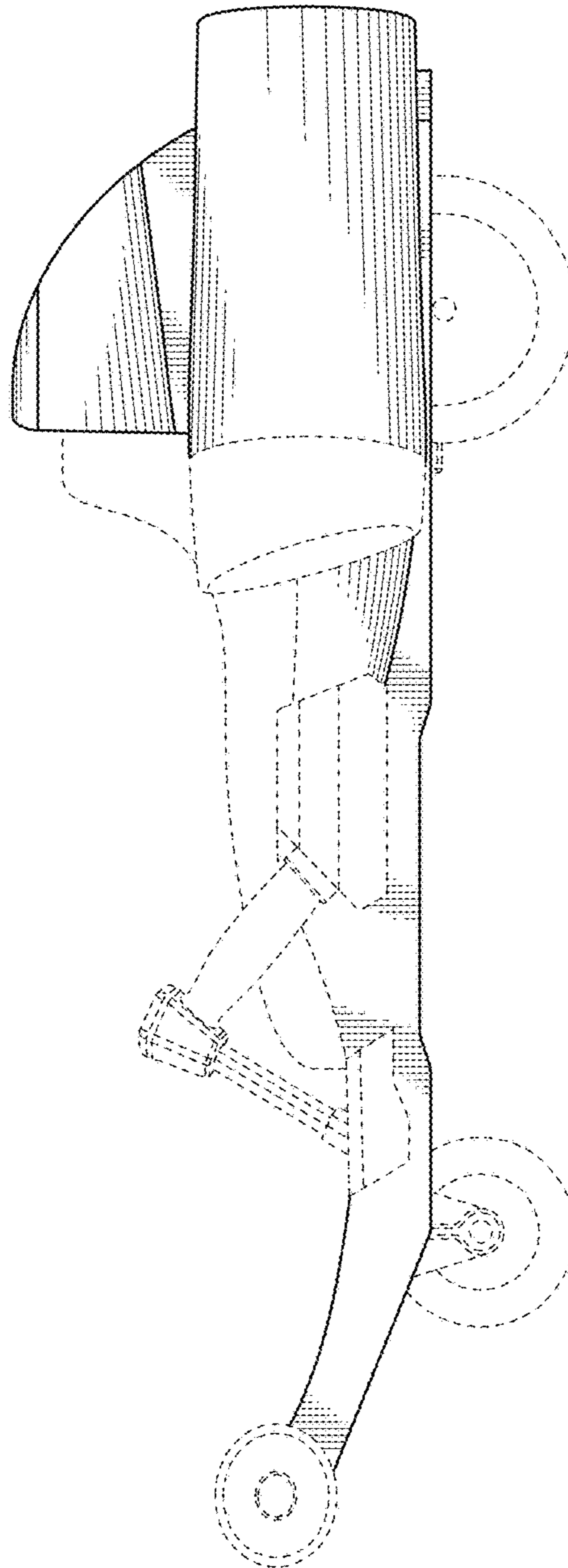


FIG. 5

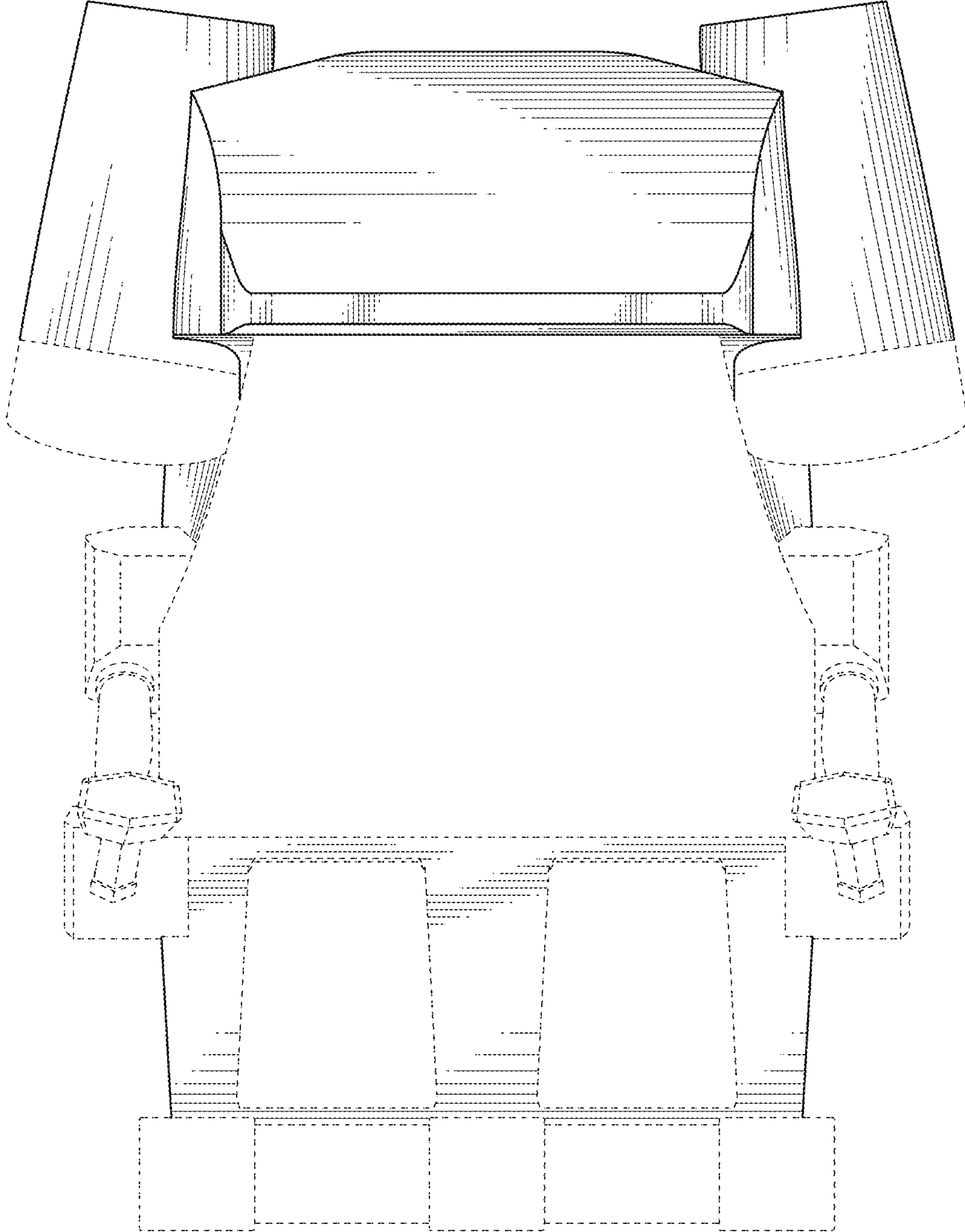


FIG. 6

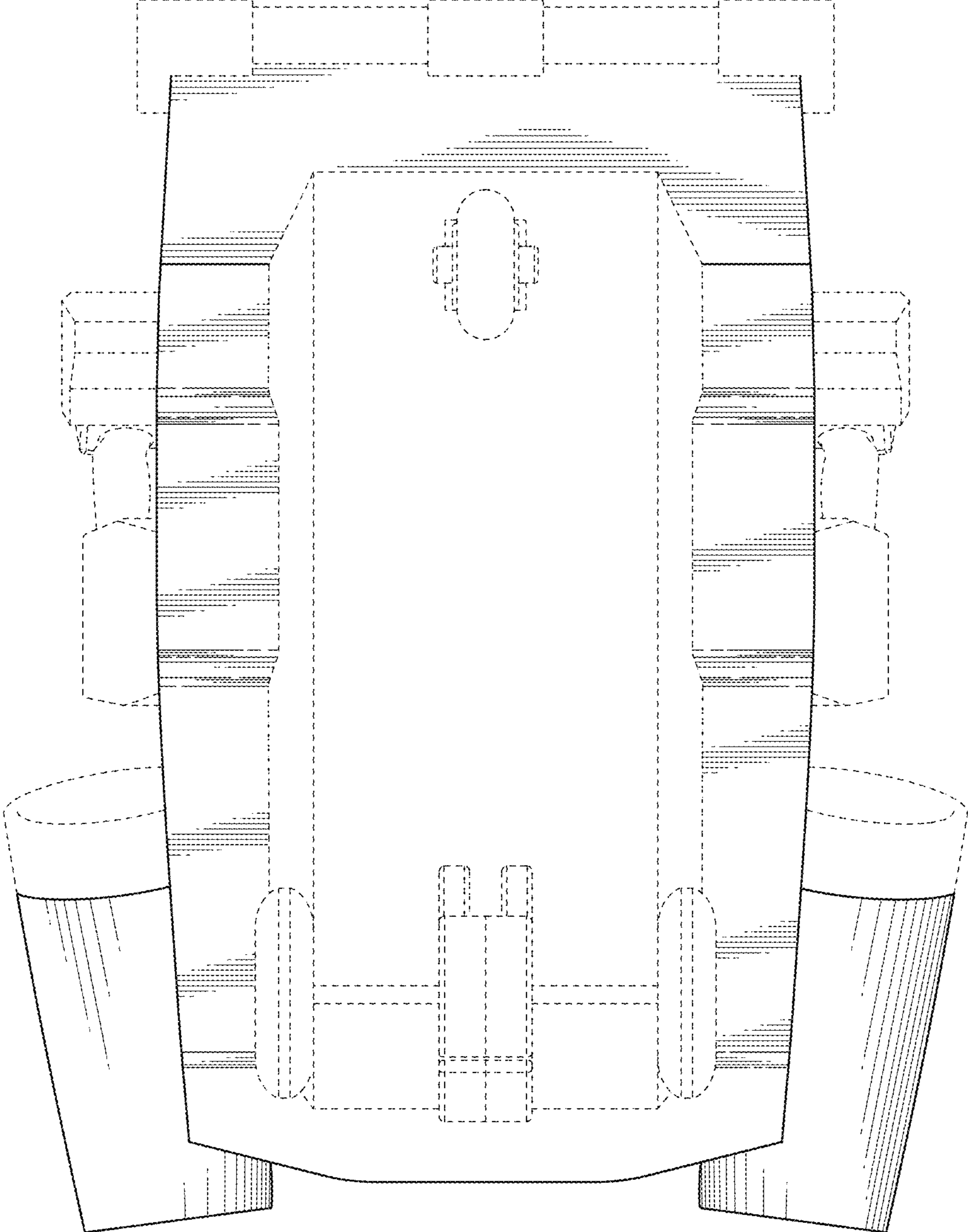


FIG. 7