



US00D808467S

(12) **United States Design Patent**
Huang et al.

(10) **Patent No.:** **US D808,467 S**
(45) **Date of Patent:** **** Jan. 23, 2018**

(54) **GAMING MACHINE**
(71) Applicant: **IBASE GAMING INC.**, New Taipei (TW)
(72) Inventors: **Nien-Chang Huang**, New Taipei (TW); **Kuo-Tung Liao**, New Taipei (TW)
(73) Assignee: **IBASE GAMING INC.** (TW)
(**) Term: **15 Years**
(21) Appl. No.: **29/574,536**
(22) Filed: **Aug. 16, 2016**

D460,915 S * 7/2002 Lynch D21/329
6,443,837 B1 * 9/2002 Jaffe G07F 17/32
463/16
D464,377 S * 10/2002 Wurz D21/369
D509,254 S * 9/2005 Rasmussen D21/369
D525,665 S * 7/2006 Karlsson D21/329
D563,481 S * 3/2008 Looks D21/370
D594,068 S * 6/2009 Hsu D21/370
D637,652 S * 5/2011 Tahara D21/325
D678,955 S * 3/2013 Lesley D21/385
D678,956 S * 3/2013 Lesley D21/385
D678,957 S * 3/2013 Cesaroni D21/385
D678,958 S * 3/2013 Cesaroni D21/385
D681,130 S * 4/2013 Lesley D21/385
D682,948 S * 5/2013 Cesaroni D21/385
D691,666 S * 10/2013 Lesley D21/370
8,641,514 B2 * 2/2014 Malek G07F 17/3244
273/292

(30) **Foreign Application Priority Data**
Feb. 23, 2016 (TW) 105300826
(51) **LOC (11) Cl.** **21-03**
(52) **U.S. Cl.**
USPC **D21/369**
(58) **Field of Classification Search**
USPC D21/369, 370, 371, 385, 329, 325, 394;
D14/307, 172, 129, 325, 401, 371, 126,
D14/439, 432, 450, 128, 375; 463/28,
463/13, 11, 16, 20, 25, 31, 46, 23, 30, 17,
463/36, 29, 42, 34, 32, 35, 19, 21, 22;
273/292, 203, 138.2, 143 R, 142 R, 138.1;
D19/60; D16/226; D8/335, 331, 334;
D26/14
CPC G07F 17/32; G07F 17/34; G07F 17/3211;
G07F 17/3244; G07F 17/3267
See application file for complete search history.

(Continued)

Primary Examiner — Robert M. Spear
Assistant Examiner — Ryan Harvey
(74) *Attorney, Agent, or Firm* — Juan Carlos A. Marquez;
Marquez IP Law Office, PLLC

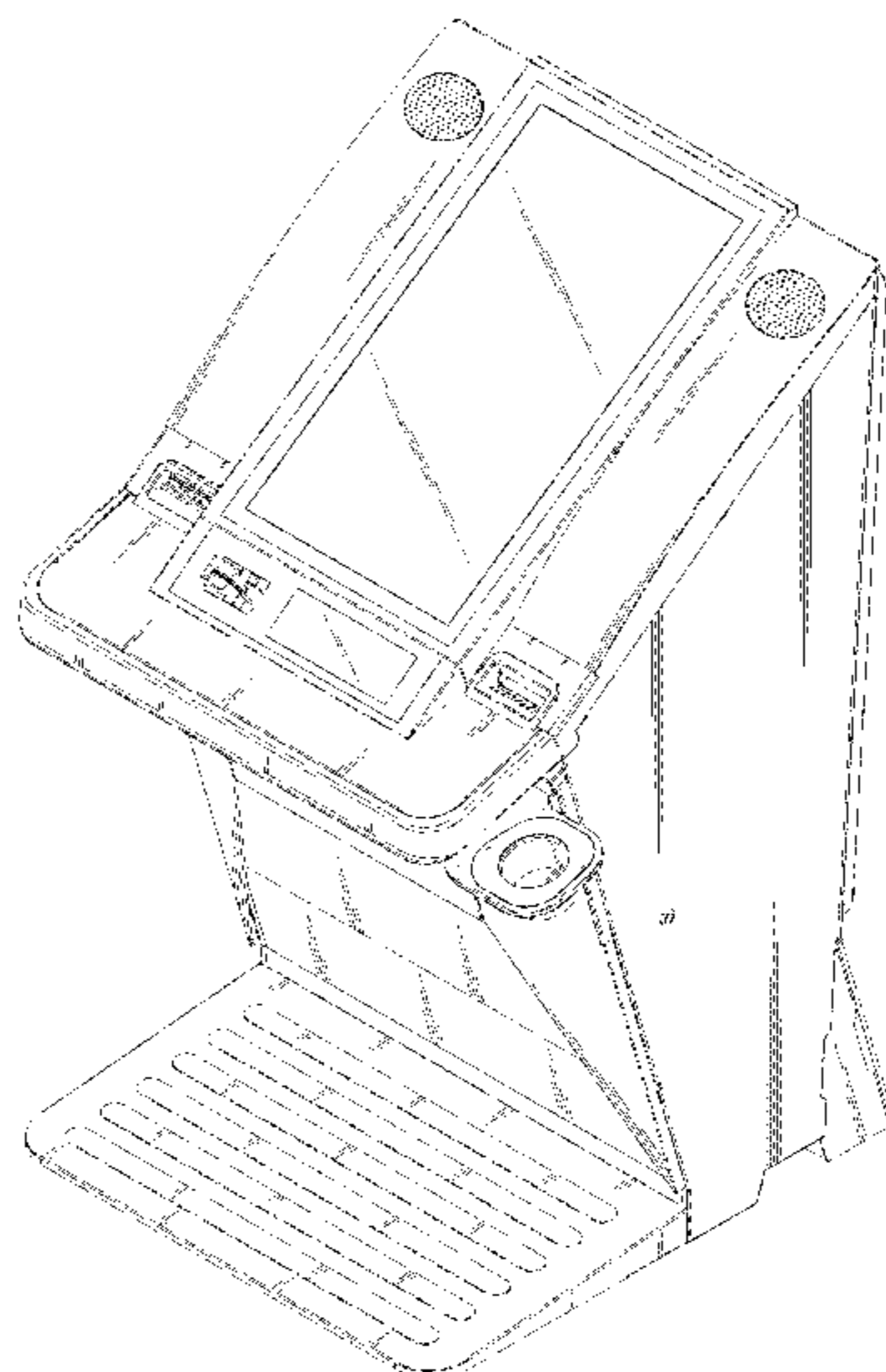
(56) **References Cited**
U.S. PATENT DOCUMENTS
D333,164 S * 2/1993 Kraft D21/325
D351,869 S * 10/1994 Rothschild D21/326
D373,809 S * 9/1996 Hirato D21/327
D424,122 S * 5/2000 Dickenson D21/325

(57) **CLAIM**
The ornamental design for a gaming machine, as shown and described.

DESCRIPTION

FIG. 1 is a perspective view of a gaming machine showing my new design;
FIG. 2 is a front elevational view thereof;
FIG. 3 is a rear elevational view thereof;
FIG. 4 is a left elevational view thereof;
FIG. 5 is a right elevational view thereof;
FIG. 6 is a top view thereof; and,
FIG. 7 is a bottom view thereof.
The broken line portion of the figure drawings is included to show unclaimed subject matter only and forms no part of the claimed design.

1 Claim, 7 Drawing Sheets



(56)

References Cited

U.S. PATENT DOCUMENTS

8,663,009 B1 * 3/2014 Pacey G07F 17/3265
463/16
D704,275 S * 5/2014 Lesley D21/370
8,808,077 B1 * 8/2014 Chun G07F 17/3293
463/11
9,033,806 B2 * 5/2015 Bruzzese G07F 17/3216
463/46
9,715,784 B2 * 7/2017 Bennett G07F 17/3244
9,741,200 B2 * 8/2017 Lesley G07F 17/3211
2017/0039803 A1 * 2/2017 Lesley G07F 17/3216

* cited by examiner

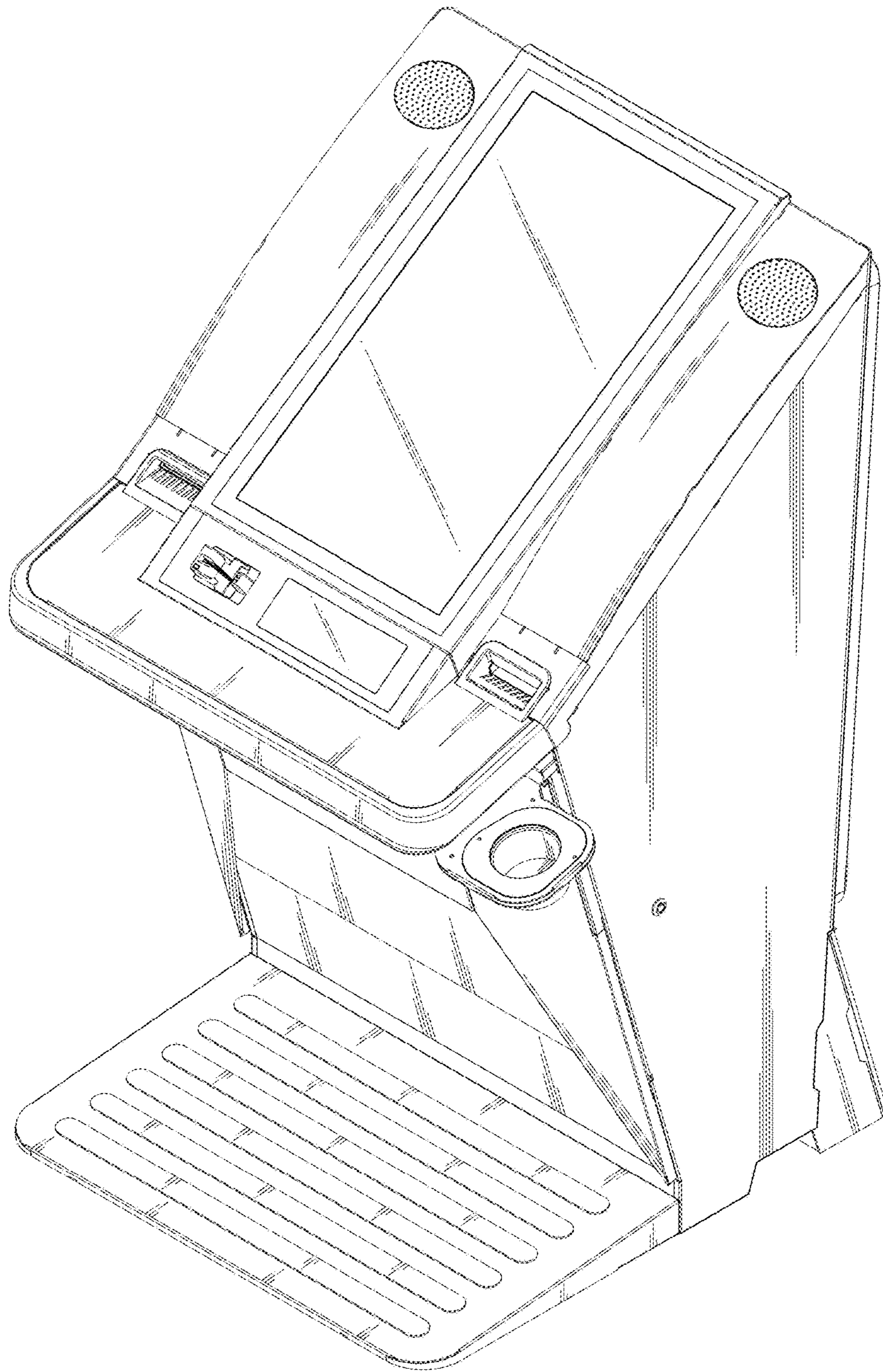


FIG. 1

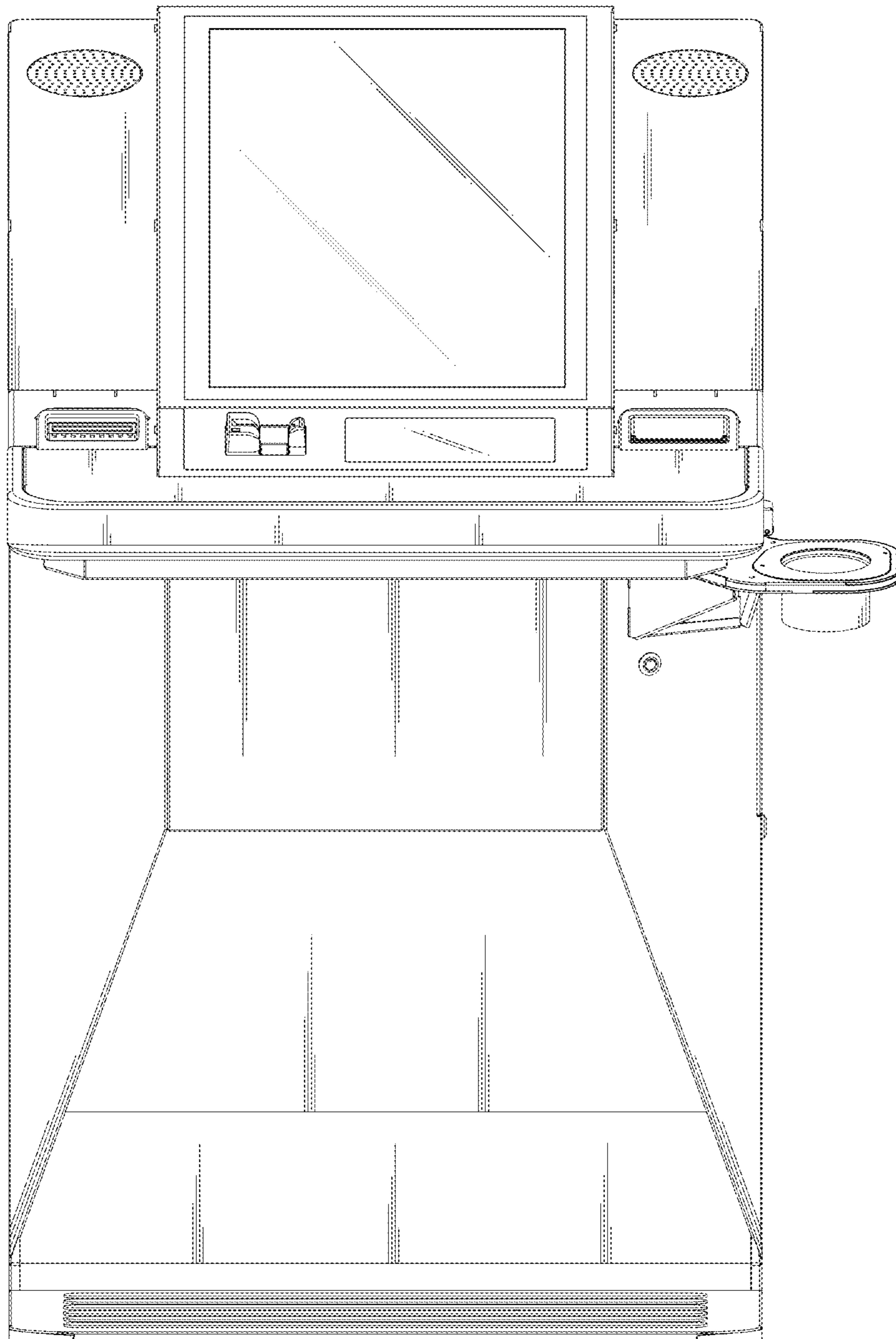


FIG. 2

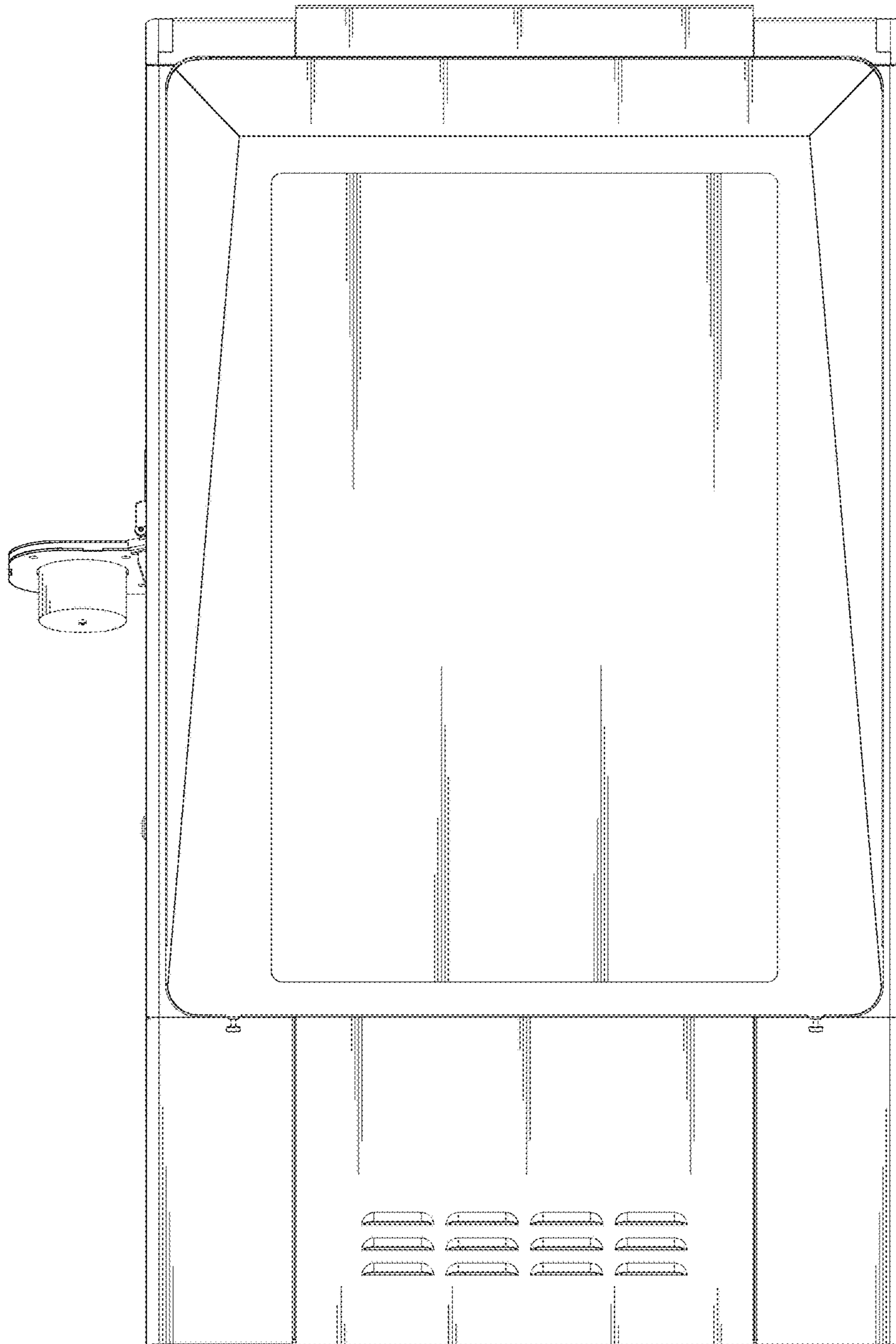


FIG. 3

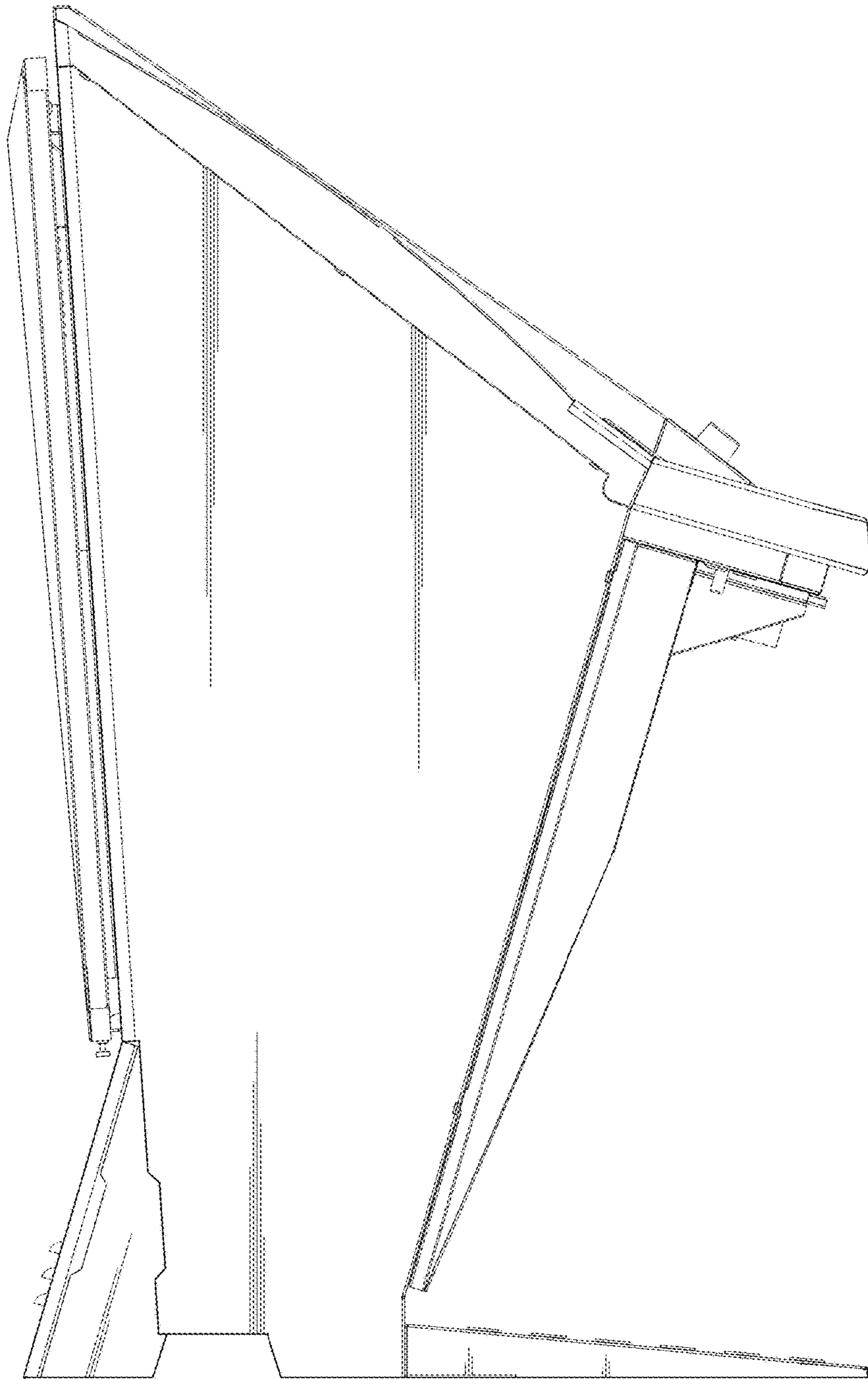


FIG. 4

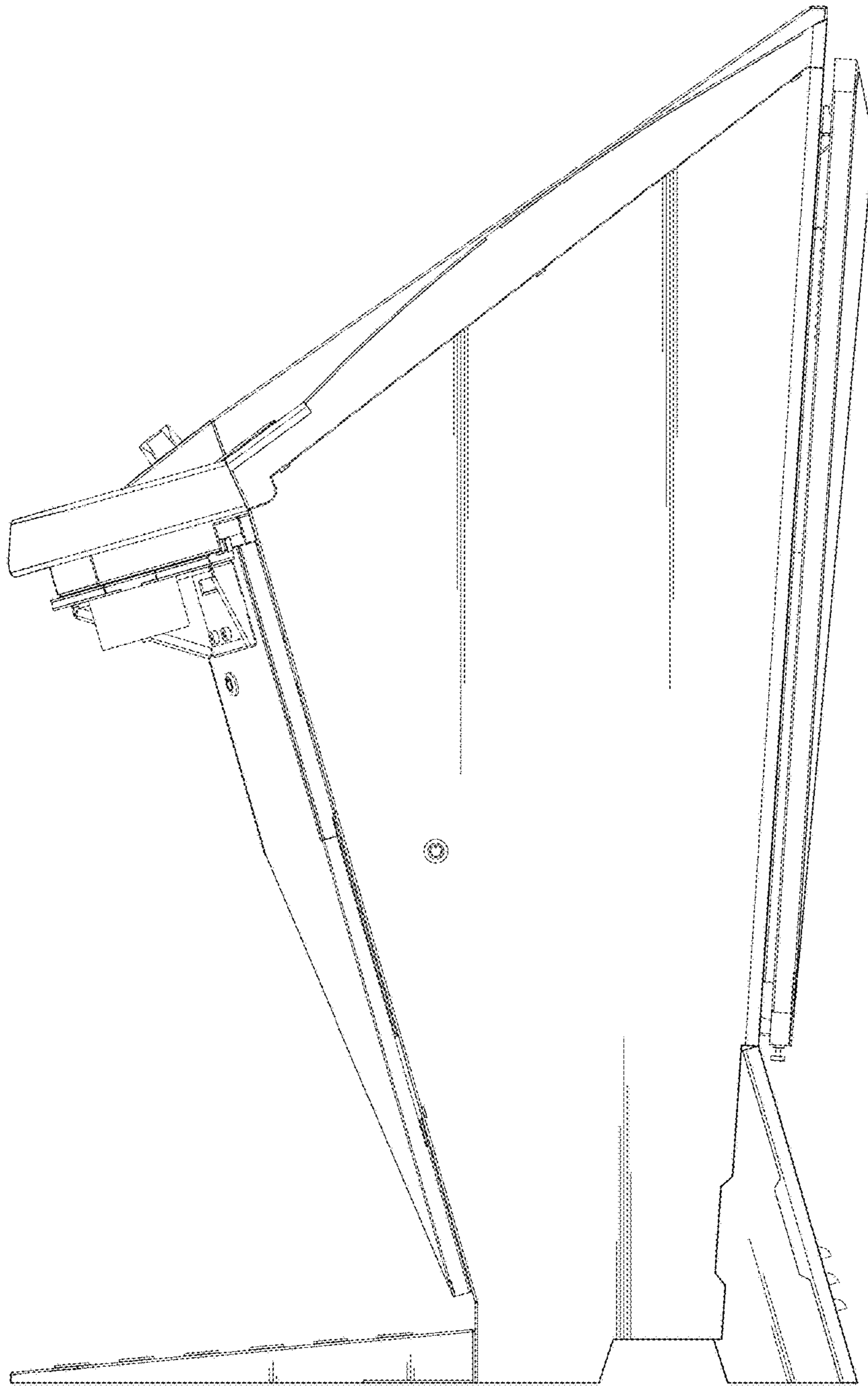


FIG. 5

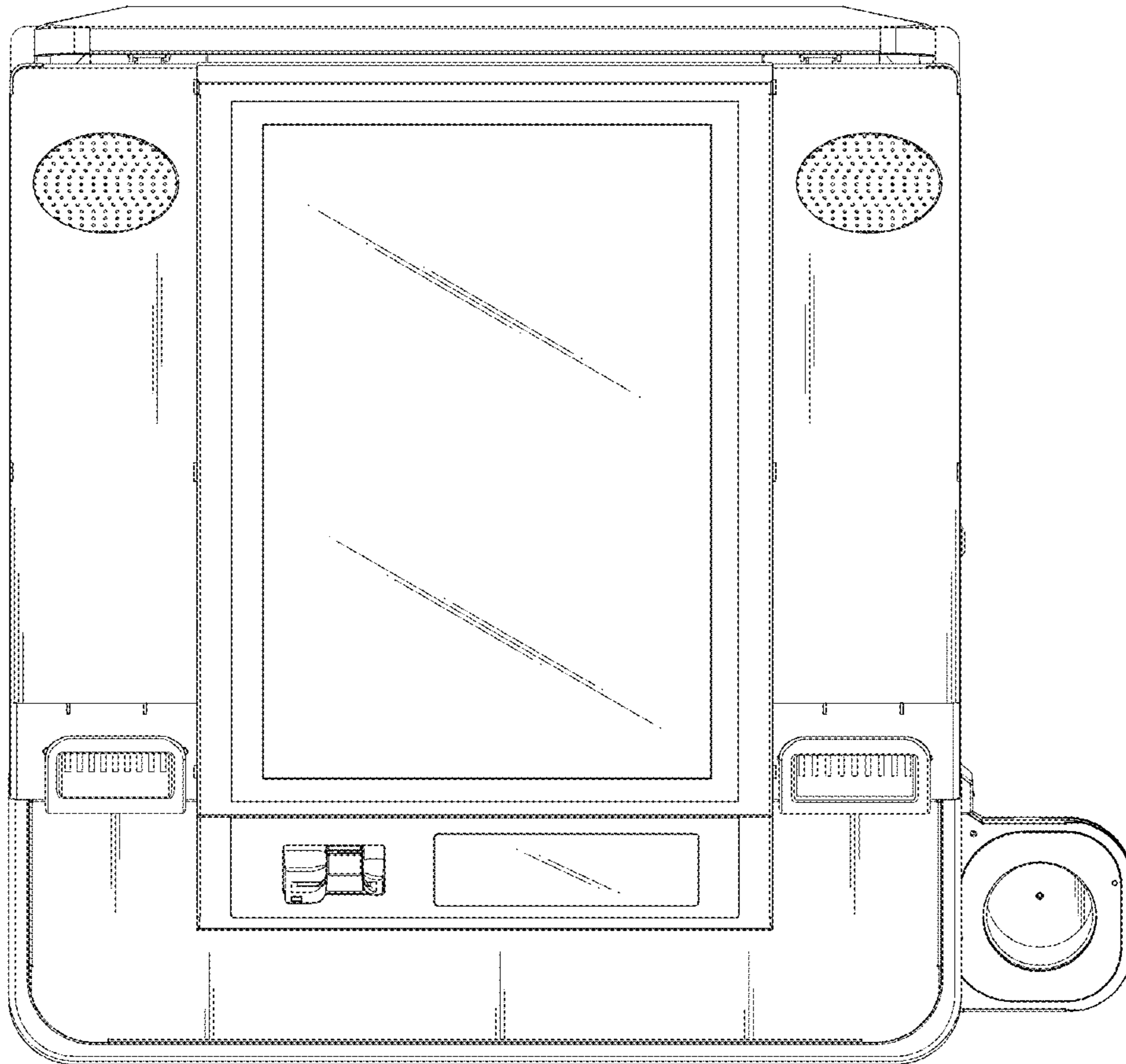


FIG. 6

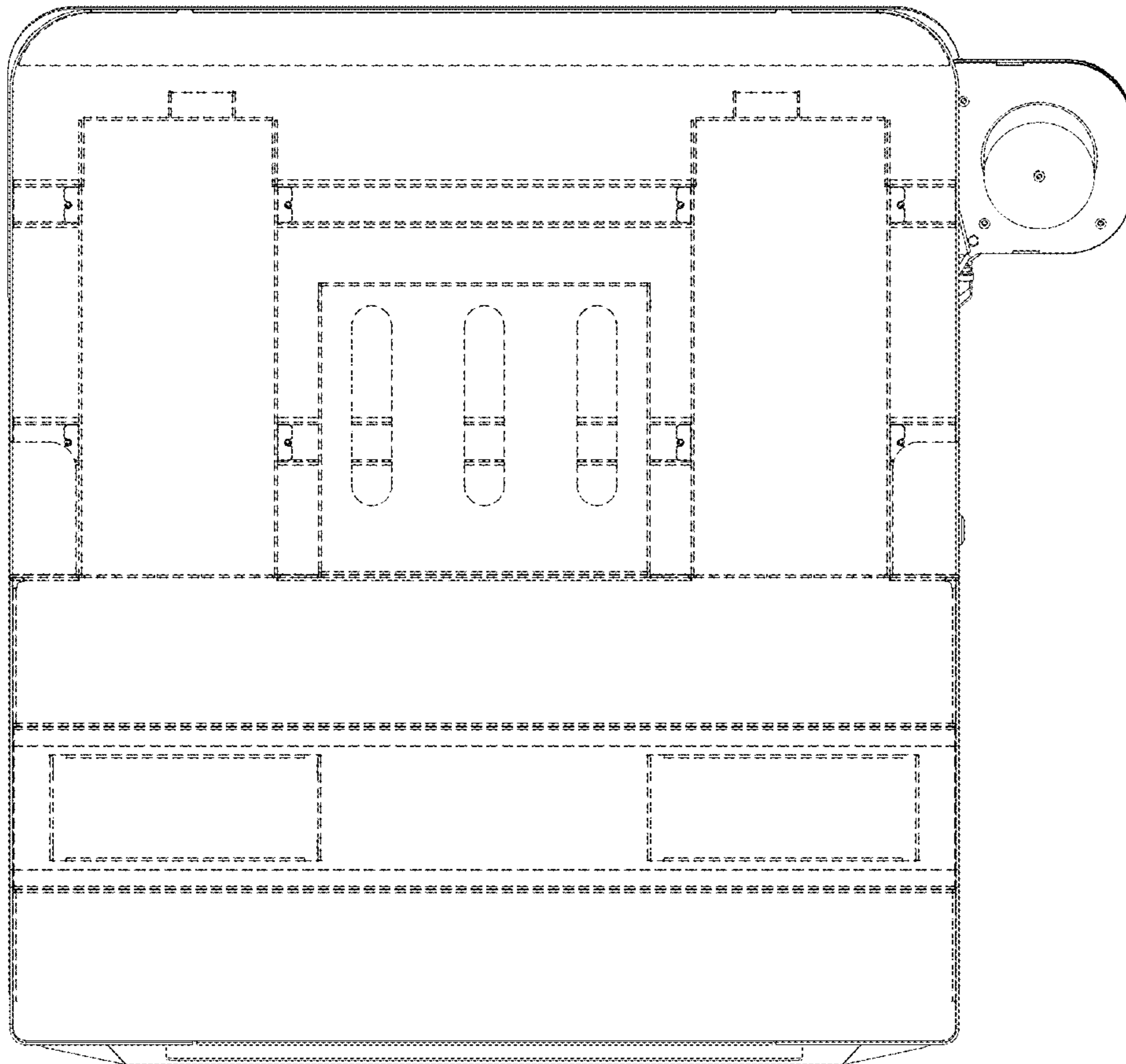


FIG. 7