



US00D808461S

(12) **United States Design Patent**
Tashima

(10) **Patent No.:** **US D808,461 S**
(45) **Date of Patent:** **** Jan. 23, 2018**

(54) **PRINTER**

(71) Applicant: **BROTHER INDUSTRIES, LTD.**,
Nagoya-shi, Aichi-ken (JP)

(72) Inventor: **Kazuhisa Tashima**, Nagoya (JP)

(73) Assignee: **BROTHER INDUSTRIES, LTD.**,
Nagoya (JP)

(**) Term: **15 Years**

(21) Appl. No.: **29/571,099**

(22) Filed: **Jul. 14, 2016**

(30) **Foreign Application Priority Data**

Jan. 14, 2016 (JP) 2016-571

(51) **LOC (11) Cl.** **18-02**

(52) **U.S. Cl.**
USPC **D18/55**; D18/50

(58) **Field of Classification Search**
USPC D18/55, 50, 36-37, 39
CPC B41J 11/58; B41J 15/12; B41J 15/042;
G06K 15/12; G06K 15/14
See application file for complete search history.

(56) **References Cited**

U.S. PATENT DOCUMENTS

D446,806 S *	8/2001	Imai	D18/36
D474,806 S	5/2003	Yamano et al.		
D502,729 S	3/2005	Lo		
D516,622 S	3/2006	Suzuki et al.		
D528,599 S	9/2006	Steinmetz et al.		
D531,659 S	11/2006	Lo		
D532,443 S	11/2006	Bai		
D532,445 S	11/2006	Lo		
D532,449 S *	11/2006	Tjin Wong Joe	D18/55
D534,578 S *	1/2007	Katayama	D18/36
D567,848 S *	4/2008	Kawamura	D18/39

D575,330 S *	8/2008	Egami	D18/55
D616,927 S *	6/2010	Suzuki	D18/55
D633,556 S	3/2011	Park et al.		
D639,851 S *	6/2011	Penke	D18/55
D643,461 S	8/2011	Kim et al.		
D661,346 S	6/2012	Suzuki et al.		
D662,974 S	7/2012	Suzuki et al.		
D667,488 S *	9/2012	Inoue	D18/55
D673,603 S	1/2013	Suzuki et al.		
D679,320 S	4/2013	Whitson et al.		
D686,277 S *	7/2013	Gilbert	D18/55
D686,656 S	7/2013	Aries et al.		
D688,740 S	8/2013	Applegate et al.		
D688,742 S *	8/2013	Kim	D18/55
D694,812 S	12/2013	Choi et al.		

(Continued)

OTHER PUBLICATIONS

Apr. 5, 2017 Office Action issued in U.S. Appl. No. 29/464,262.
(Continued)

Primary Examiner — Robin V Webster
Assistant Examiner — James C Thorn, Sr.
(74) *Attorney, Agent, or Firm* — Oliff PLC

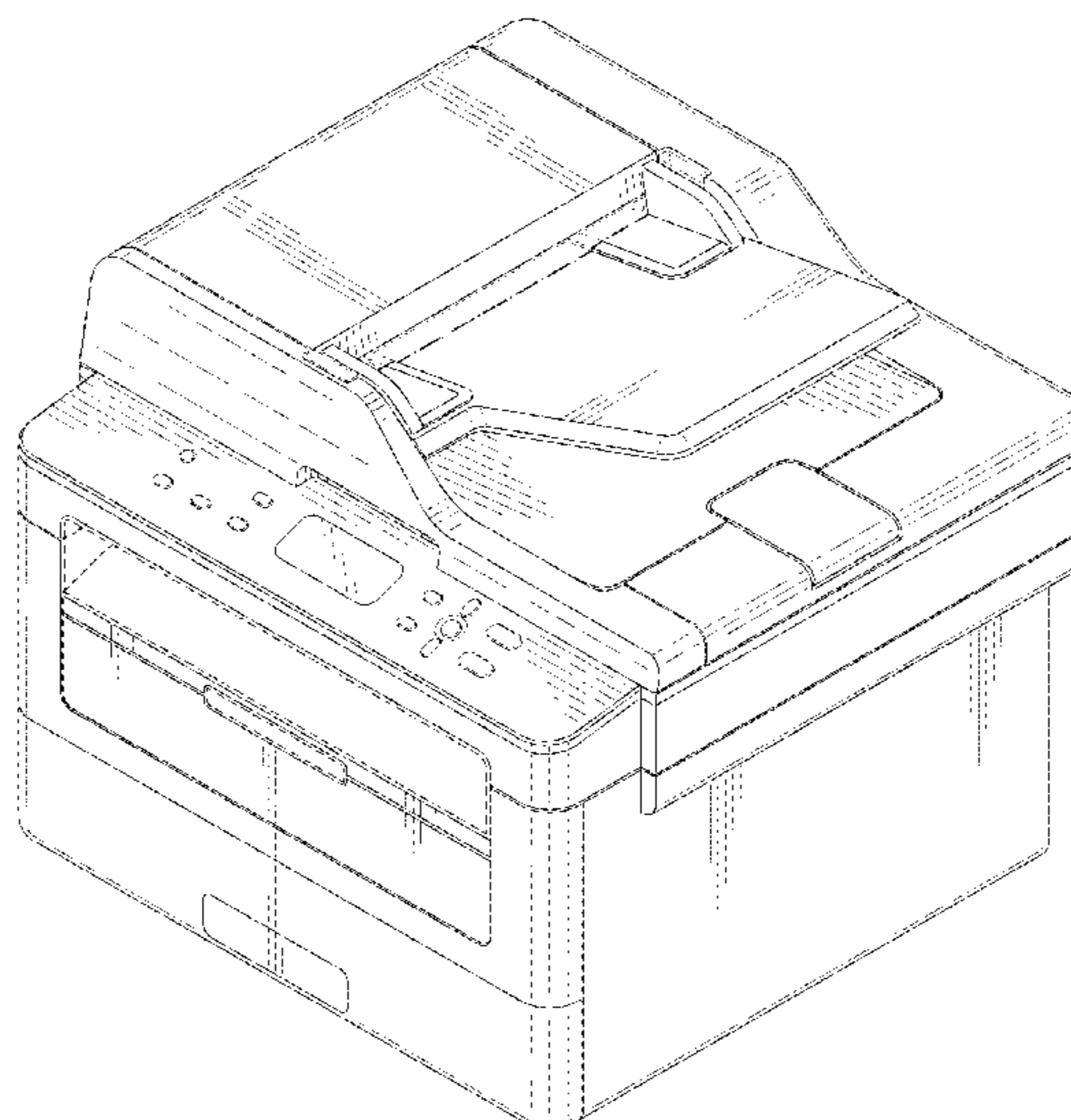
(57) **CLAIM**

The ornamental design for a printer, as shown and described.

DESCRIPTION

FIG. 1 is a perspective view of a printer;
FIG. 2 is a front view thereof;
FIG. 3 is a top view thereof;
FIG. 4 is a right-side view thereof;
FIG. 5 is a left-side view thereof;
FIG. 6 is a rear view thereof; and,
FIG. 7 is a bottom view thereof.
The broken lines shown in the drawings are included for the purpose of illustrating unclaimed portions and form no part of the claimed design.

1 Claim, 7 Drawing Sheets



(56)

References Cited

U.S. PATENT DOCUMENTS

D697,966	S *	1/2014	Fukasawa	D18/55
D699,781	S	2/2014	Hasui et al.	
D702,760	S *	4/2014	Kim	D18/55
D726,250	S *	4/2015	Kim	D18/55
D727,409	S *	4/2015	Saito	D18/36
D727,417	S *	4/2015	Huang	D18/55
D742,960	S *	11/2015	Lee	D18/50
D752,135	S *	3/2016	Uchikawa	D18/39
D755,284	S *	5/2016	Terenzio	D18/50
D758,485	S *	6/2016	Nakagawa	D18/55
D765,080	S *	8/2016	Su	D14/421
D769,965	S *	10/2016	Clark, III	D18/55
D780,839	S *	3/2017	Kim	D18/55
D780,840	S *	3/2017	Kim	D18/55
D780,841	S *	3/2017	Kim	D18/55
D782,568	S *	3/2017	Nishimura	D18/55
D786,965	S *	5/2017	Huang	D18/55
D791,867	S *	7/2017	Nakagawa	D18/50
2017/0217222	A1 *	8/2017	Sugiyama	B41J 11/58
2017/0217699	A1 *	8/2017	Washino	B65H 1/30

OTHER PUBLICATIONS

Dec. 2, 2016 U.S. Office Action Issued in U.S. Appl. No. 29/464,359.

Sep. 29, 2016 Office Action issued in Design U.S. Appl. No. 29/464,262.

Design U.S. Appl. No. 29/464,262, filed Aug. 14, 2013.

Design U.S. Appl. No. 29/464,359, filed Aug. 15, 2013.

Nov. 2, 2017 Office Action issued in U.S. Appl. No. 29/571,057.

* cited by examiner

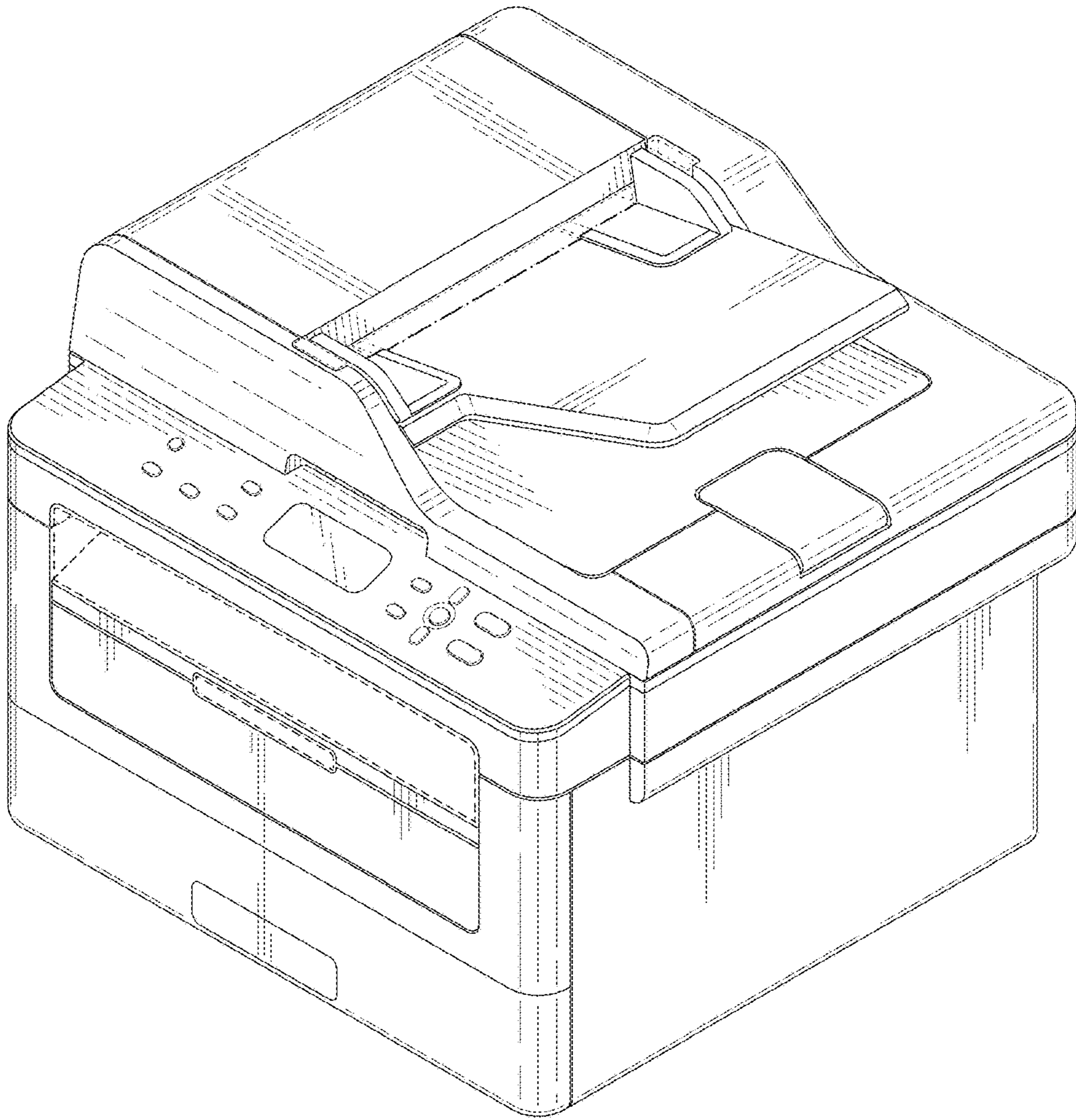


FIG. 1

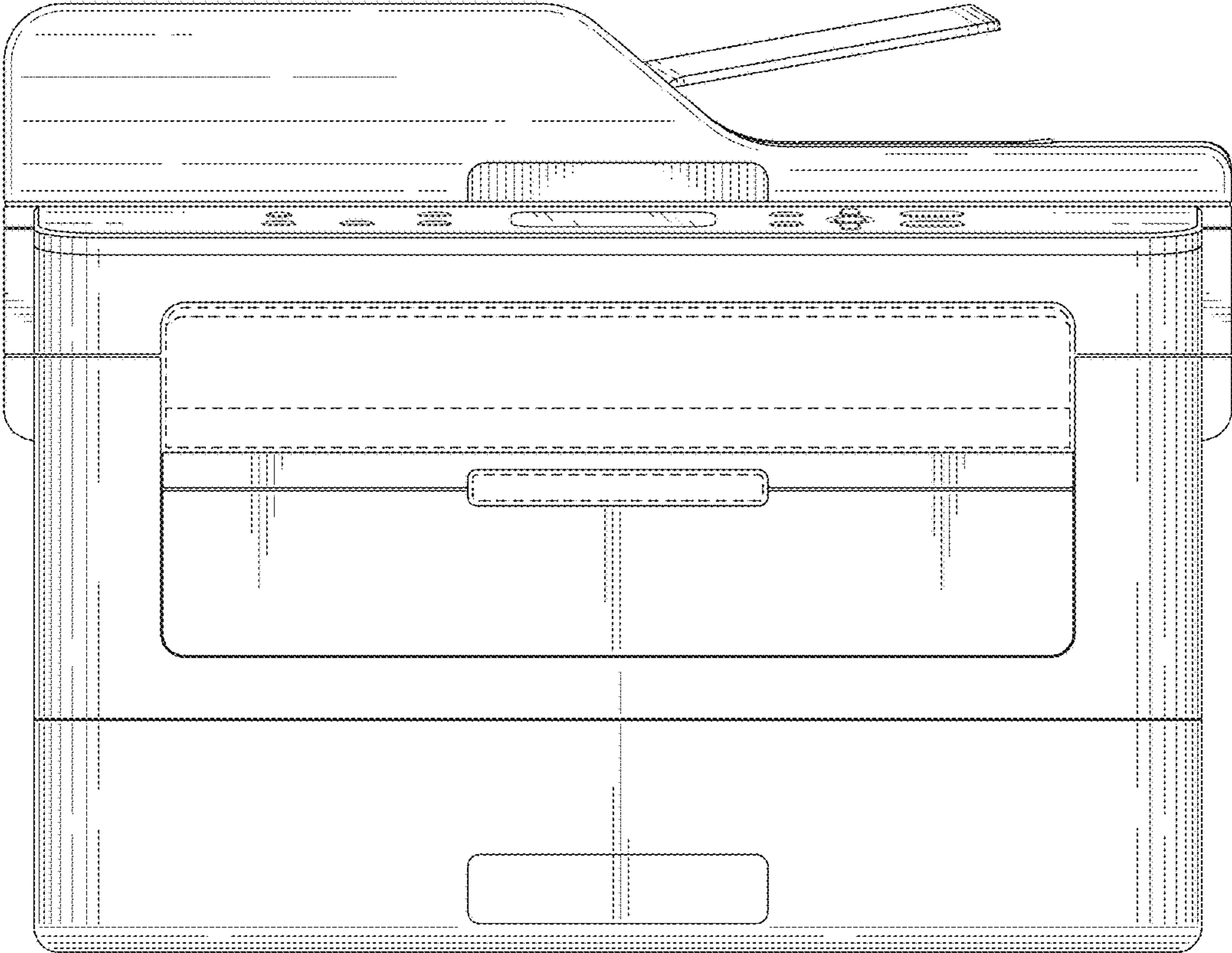


FIG. 2

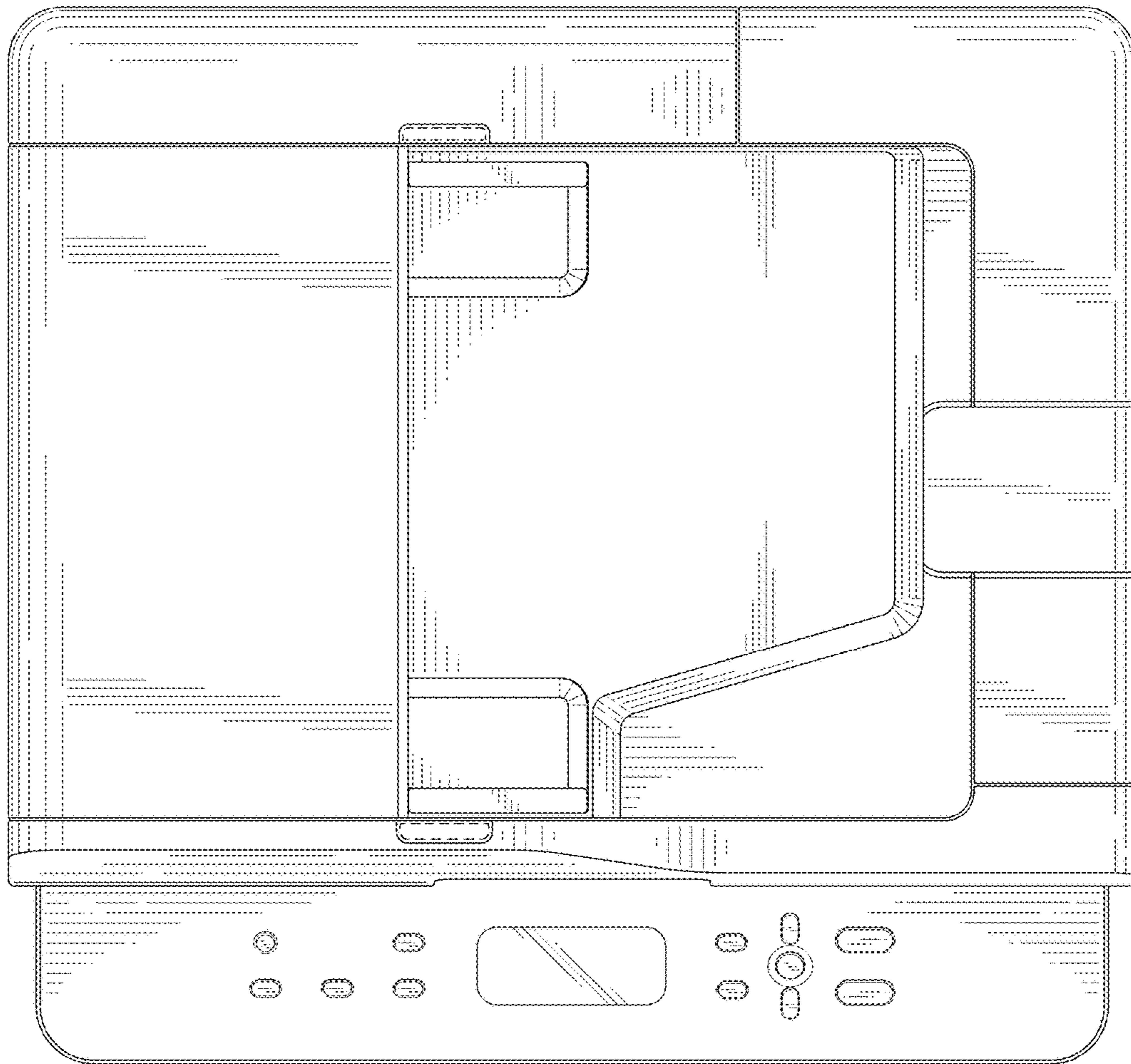


FIG. 3

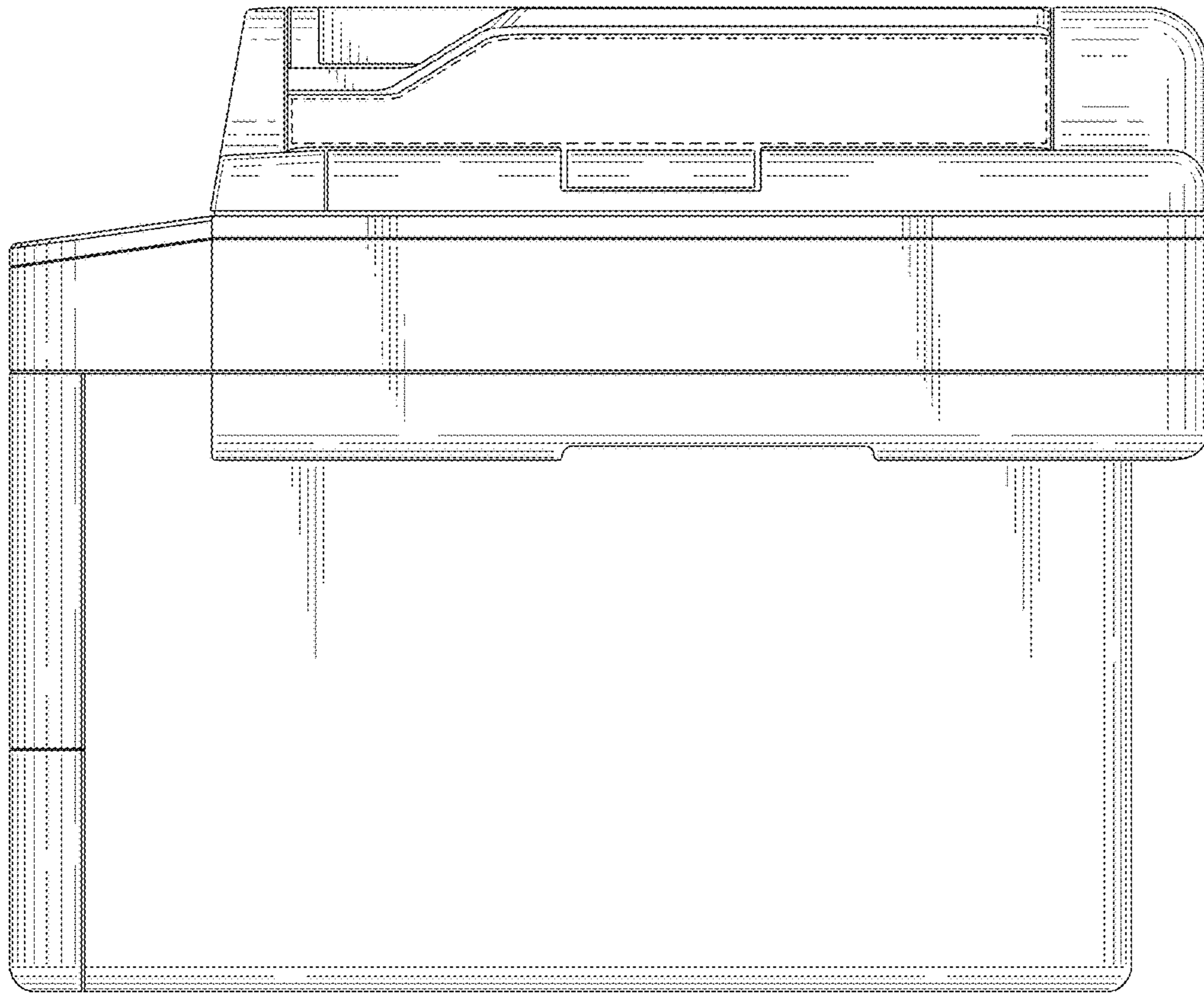


FIG. 4

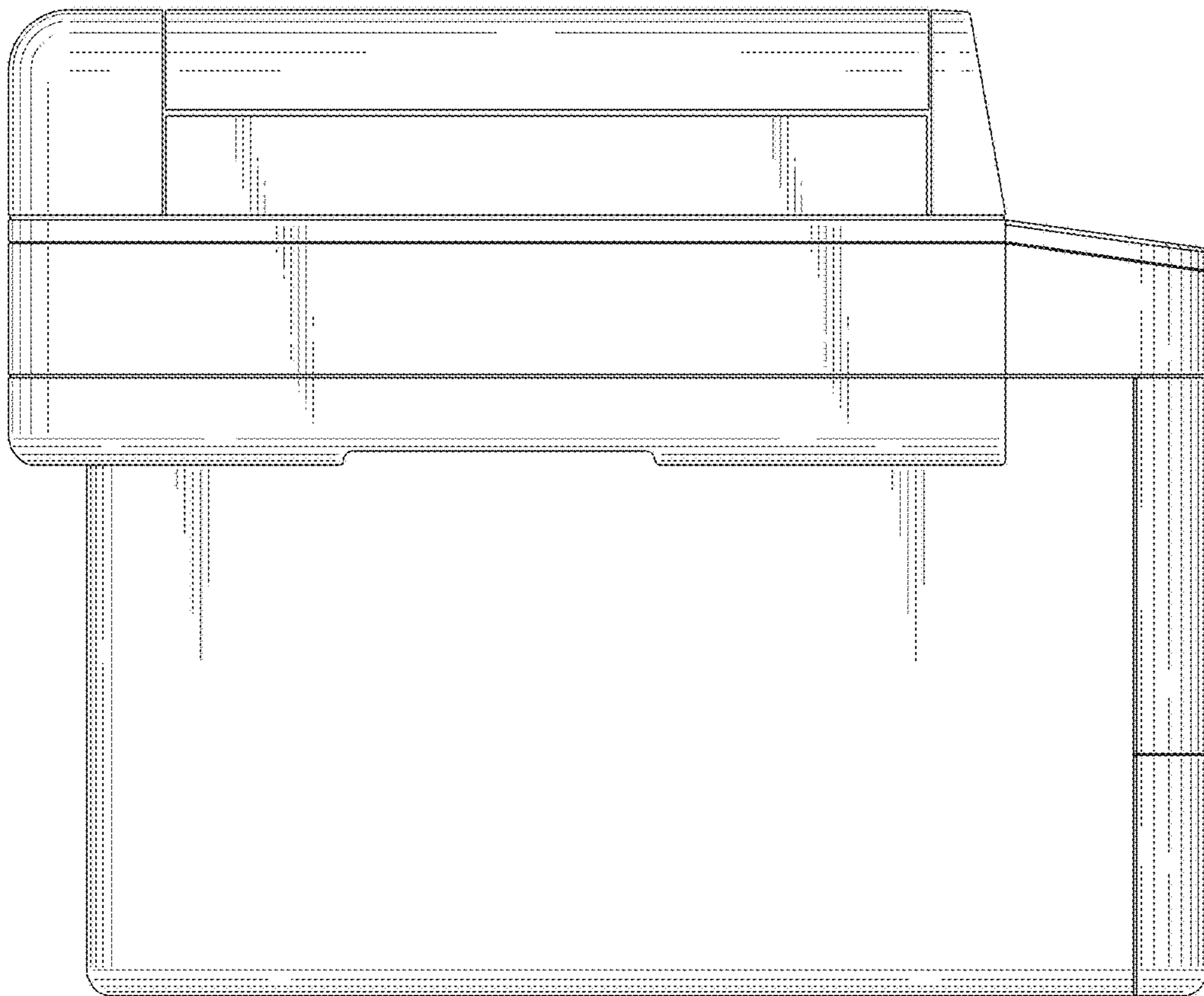


FIG. 5

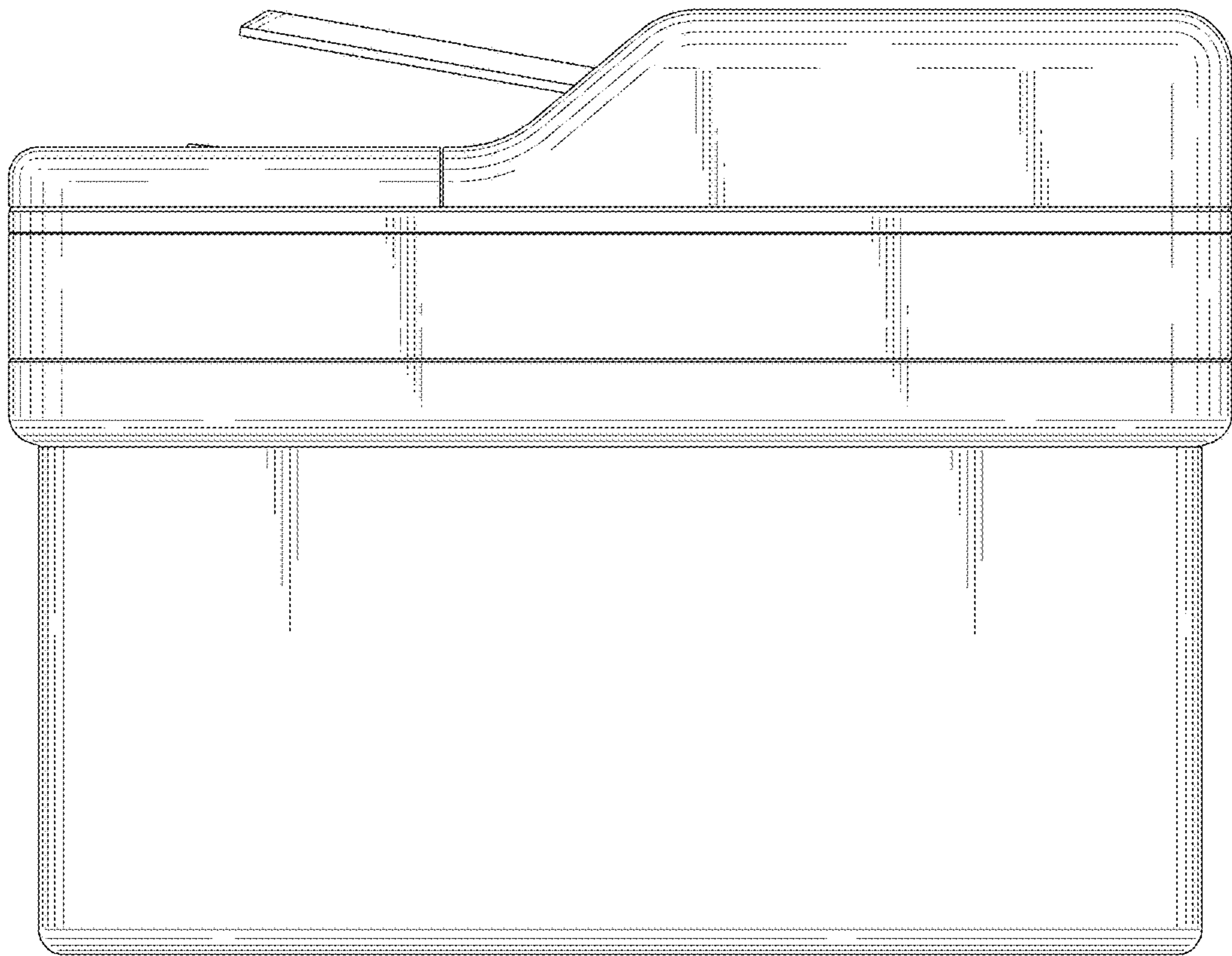


FIG. 6

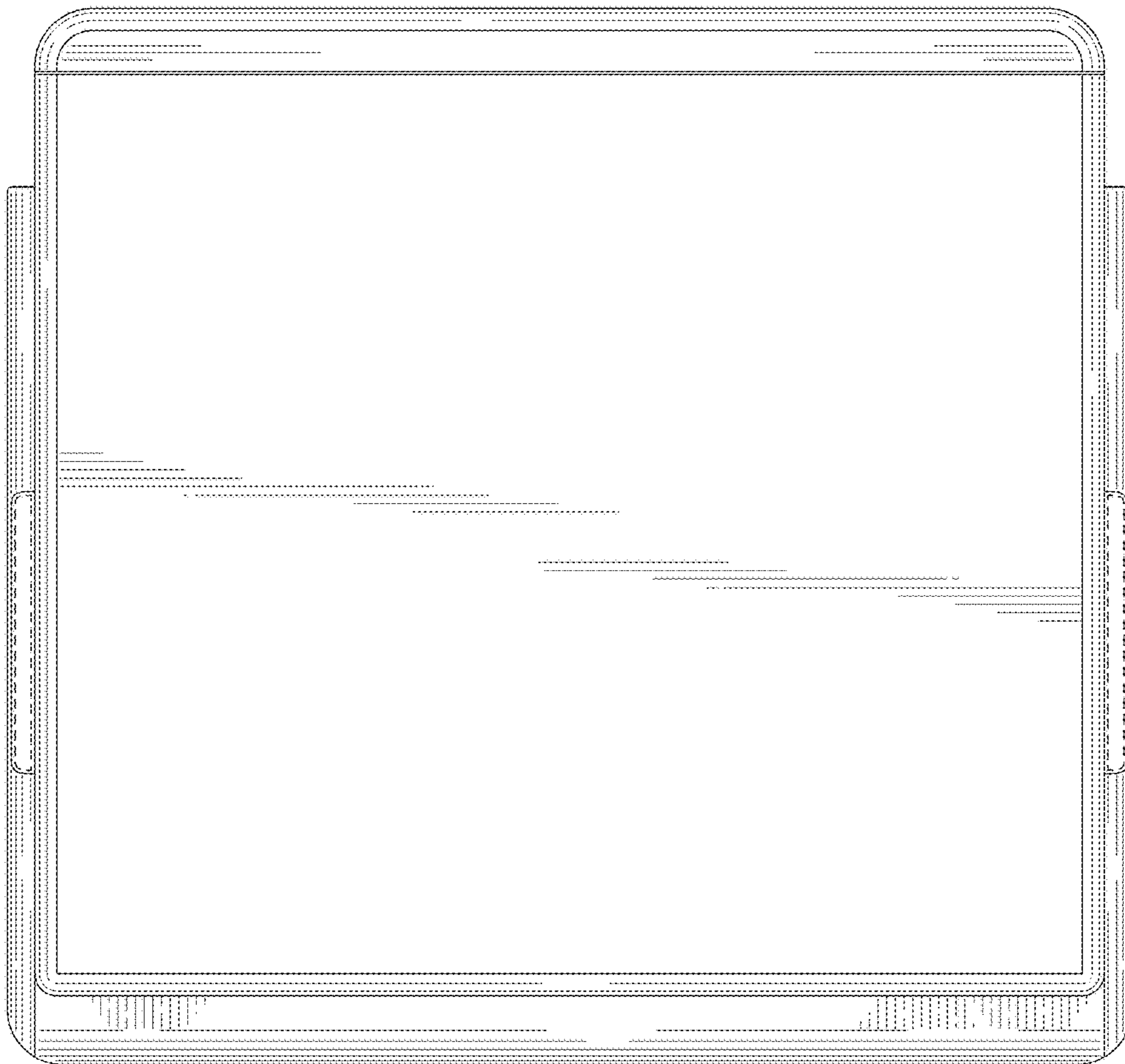


FIG. 7