



US00D808460S

(12) **United States Design Patent**
Sheng et al.

(10) **Patent No.:** **US D808,460 S**
(45) **Date of Patent:** **** Jan. 23, 2018**

(54) **OFFICE MACHINE WITH SCANNER**
(71) Applicant: **AVISION INC.**, Hsinchu (TW)
(72) Inventors: **Shao-Lan Sheng**, Hsinchu (TW);
Chao-Yu Peng, Hsinchu (TW)
(73) Assignee: **Avision Inc.** (TW)
(**) Term: **15 Years**
(21) Appl. No.: **29/555,486**
(22) Filed: **Feb. 22, 2016**
(51) **LOC (11) Cl.** **18-99**
(52) **U.S. Cl.**
USPC **D18/49**
(58) **Field of Classification Search**
USPC 101/113, 118, 127.1, 128, 128.1;
271/3.14, 8.1, 10.01, 35, 110-121, 161,
271/171, 273, 274, 280, 284; 355/97,
355/122, 308, 321; D18/12, 18, 34, 36,
(Continued)

(56) **References Cited**

U.S. PATENT DOCUMENTS

D267,565 S * 1/1983 Fossella D18/49
D275,771 S * 10/1984 Evans D18/49
(Continued)

FOREIGN PATENT DOCUMENTS

JP D1329992 S 5/2008

OTHER PUBLICATIONS

Avision "AP30 series", <https://www.avision.com/motion.asp?siteid=100407&lgid=1&menuid=10187&manager=100524>.
May 4, 2016. shown in p. 1, Item # AP30.*
(Continued)

Primary Examiner — Cynthia Ramirez
Assistant Examiner — Michael Maharajh

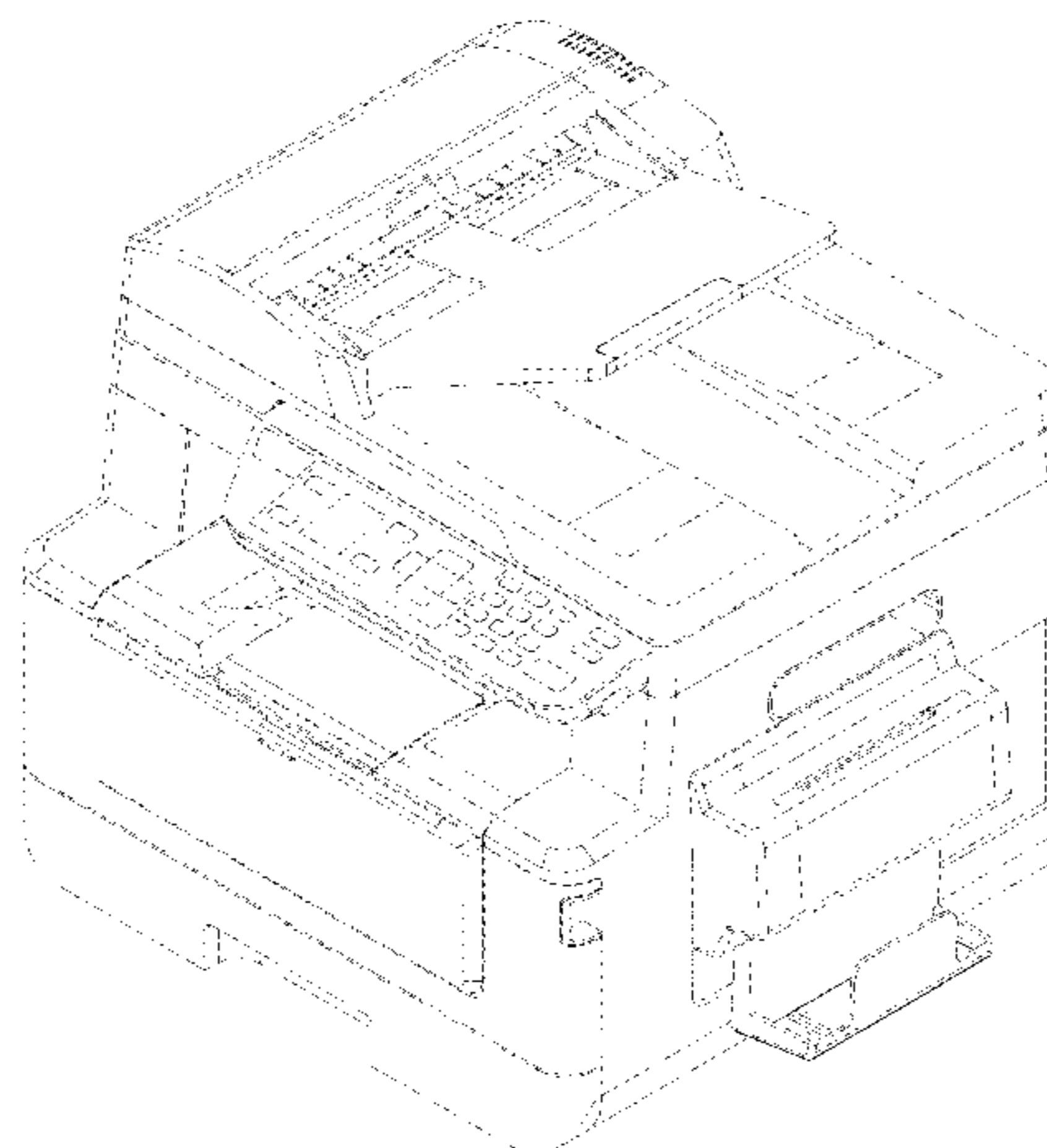
(57) **CLAIM**
The ornamental design for an office machine with scanner,
as shown and described.

DESCRIPTION

FIG. 1 is a first perspective view of an office machine with scanner, showing our new design with a first environment;

FIG. 2 is a second perspective view of FIG. 1;
FIG. 3 is a third perspective view of FIG. 1;
FIG. 4 is a fourth perspective view of FIG. 1;
FIG. 5 is an enlarged, fragmentary view of FIG. 4;
FIG. 6 is a front elevational view of FIG. 1;
FIG. 7 is a rear elevational view of FIG. 1;
FIG. 8 is a left side elevational view of FIG. 1;
FIG. 9 is a right side elevational view of FIG. 1;
FIG. 10 is a top plan view of FIG. 1;
FIG. 11 is a bottom plan view of FIG. 1;
FIG. 12 is a cross-sectional view taken along line B-B of FIG. 9;
FIG. 13 is first perspective view of an office machine with scanner, showing our new design with a second environment thereof;
FIG. 14 is a second perspective view of FIG. 13;
FIG. 15 is a third perspective view of FIG. 13;
FIG. 16 is a fourth perspective view of FIG. 13;
FIG. 17 is an enlarged, fragmentary view of FIG. 16;
FIG. 18 is a front elevational view of FIG. 13;
FIG. 19 is a rear elevational view of FIG. 13;
FIG. 20 is a left side elevational view of FIG. 13;
FIG. 21 is a right side elevational view of FIG. 13;
FIG. 22 is a top plan view of FIG. 13;
FIG. 23 is a bottom plan view of FIG. 13;
FIG. 24 is a cross-sectional view taken along line D-D of FIG. 21;
FIG. 25 is first perspective view of an office machine with scanner, showing our new design with a third environment thereof;
FIG. 26 is a second perspective view of FIG. 25;
FIG. 27 is a third perspective view of FIG. 25;
FIG. 28 is a fourth perspective view of FIG. 25;
FIG. 29 is an enlarged, fragmentary view of FIG. 28;
FIG. 30 is a front elevational view of FIG. 25;
FIG. 31 is a rear elevational view of FIG. 25;
FIG. 32 is a left side elevational view of FIG. 25;
FIG. 33 is a right side elevational view of FIG. 25;
FIG. 34 is a top plan view of FIG. 25;
FIG. 35 is a bottom plan view of FIG. 25; and,
FIG. 36 is a cross-sectional view taken along line F-F of FIG. 33.
The broken lines shown in the figures are for the purpose of illustrating environment and form no part of the claimed design.

1 Claim, 36 Drawing Sheets



(58) **Field of Classification Search**

USPC .. D18/37, 40, 49, 50, 55, 56, 99; D15/138,
D15/147, 199; D14/299, 301, 307, 432,
D14/471, 483; D19/2, 3, 5, 7, 90, 92, 95,
D19/99, 192, 202; D6/552
CPC B41J 13/103; B65H 1/04; B65H 31/08;
B65H 9/101

See application file for complete search history.

(56) **References Cited**

U.S. PATENT DOCUMENTS

D337,126	S	*	7/1993	Martin	D18/44
D344,750	S	*	3/1994	Sato	358/498
D369,620	S	*	5/1996	Boutsakis	D19/86
D438,893	S	*	3/2001	Saito	D18/44
D439,606	S	*	3/2001	Suzuki	D18/49
D494,213	S	*	8/2004	Wong	D18/44
D525,290	S	*	7/2006	Yarrington	D18/49
D598,492	S	*	8/2009	Romanoff	D18/49
D651,235	S	*	12/2011	Fan	D18/49
D707,275	S	*	6/2014	Ito	D15/147
D762,768	S	*	8/2016	Kim	D18/49
D778,984	S	*	2/2017	Kim	D18/56
D780,848	S	*	3/2017	Greenspon	D19/92

OTHER PUBLICATIONS

Youtube "AM30series English", <https://www.youtube.com/watch?v=QAsISLzJybk>. May 4, 2016. shown in p. 1, Item # AM30. Claimed area shown at 00:52.*

Taiwan Office Action for corresponding application No. 105300807, dated Nov. 9, 2016 (partial translation).

* cited by examiner

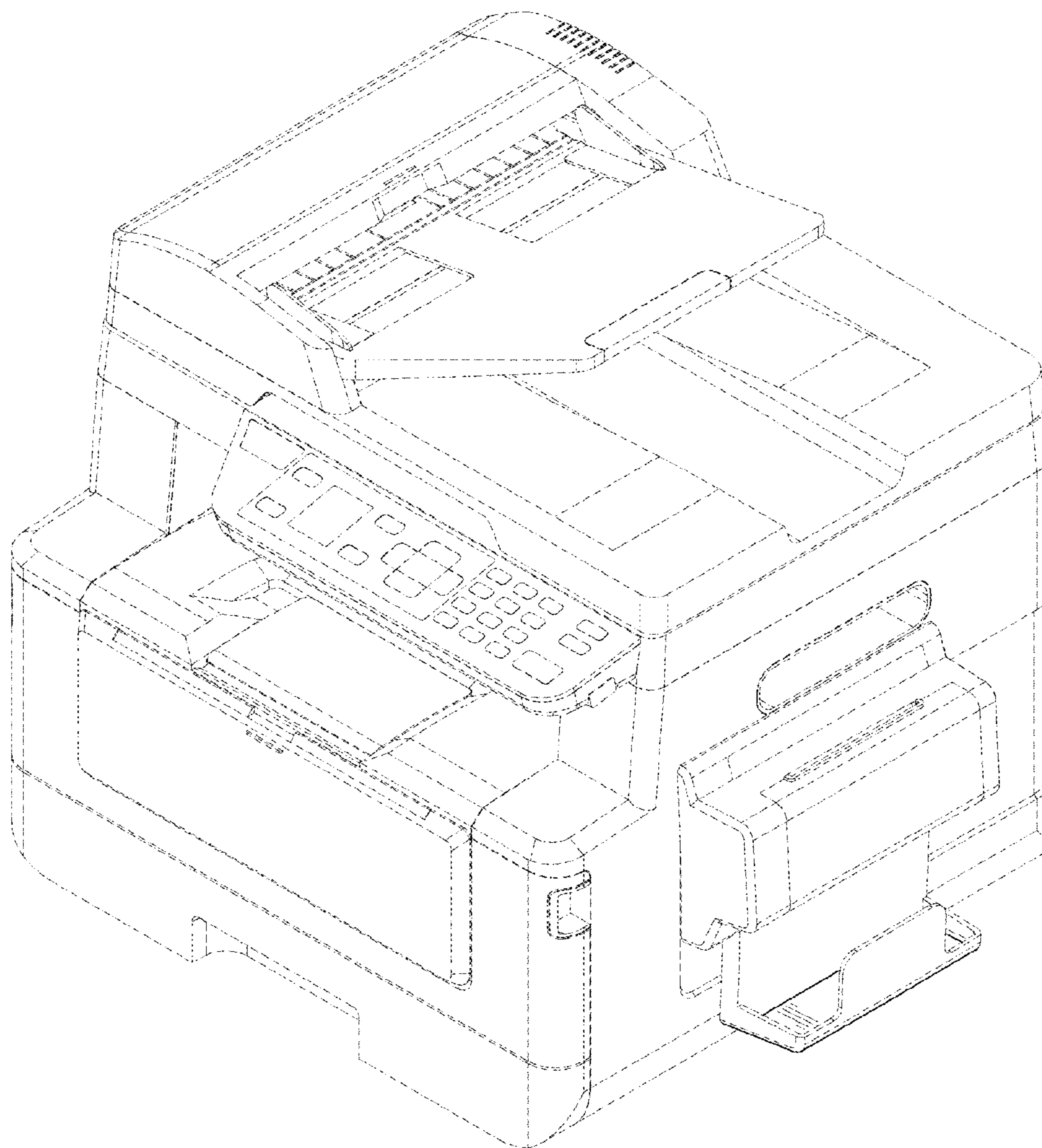


FIG. 1

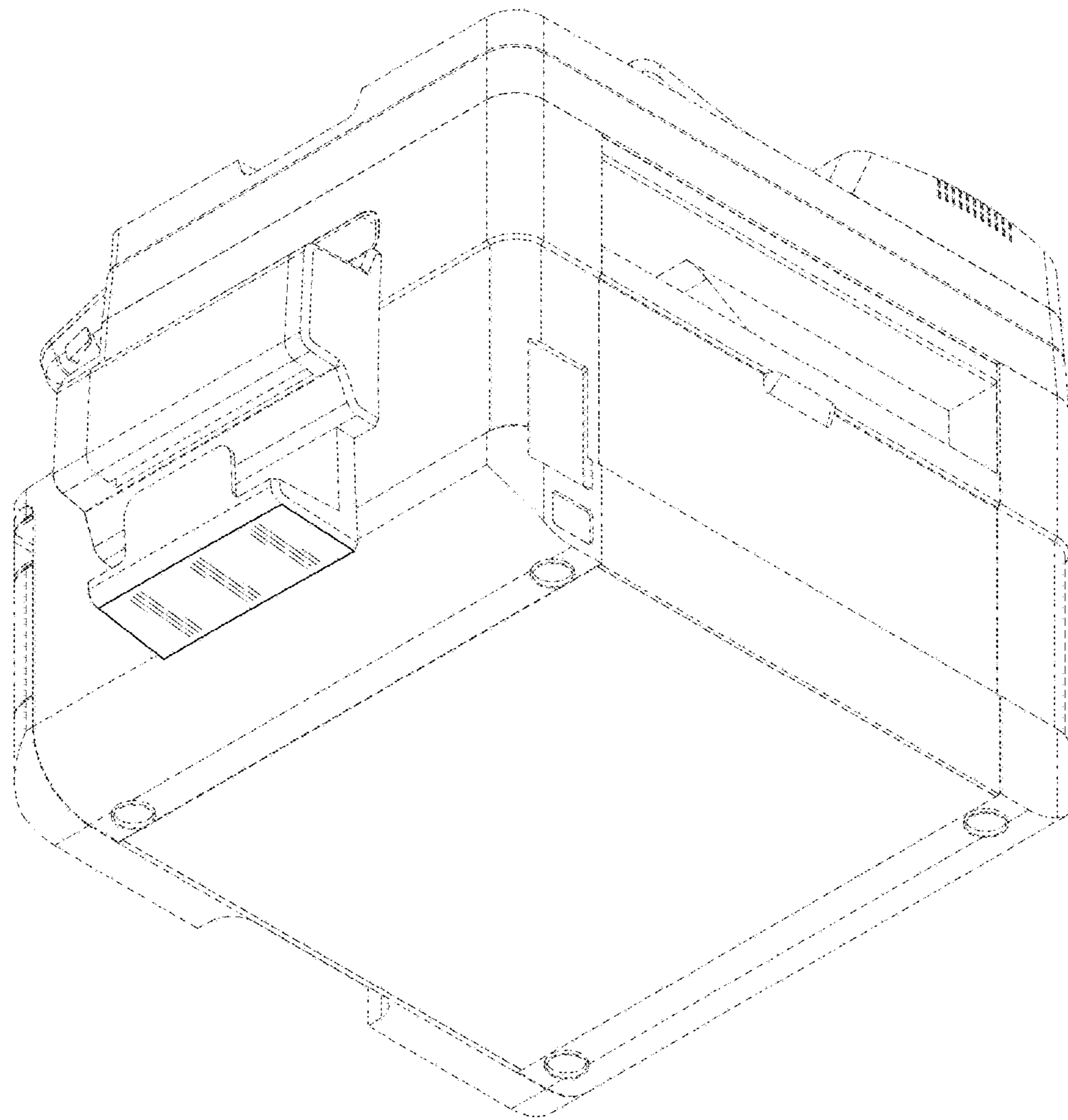


FIG. 2

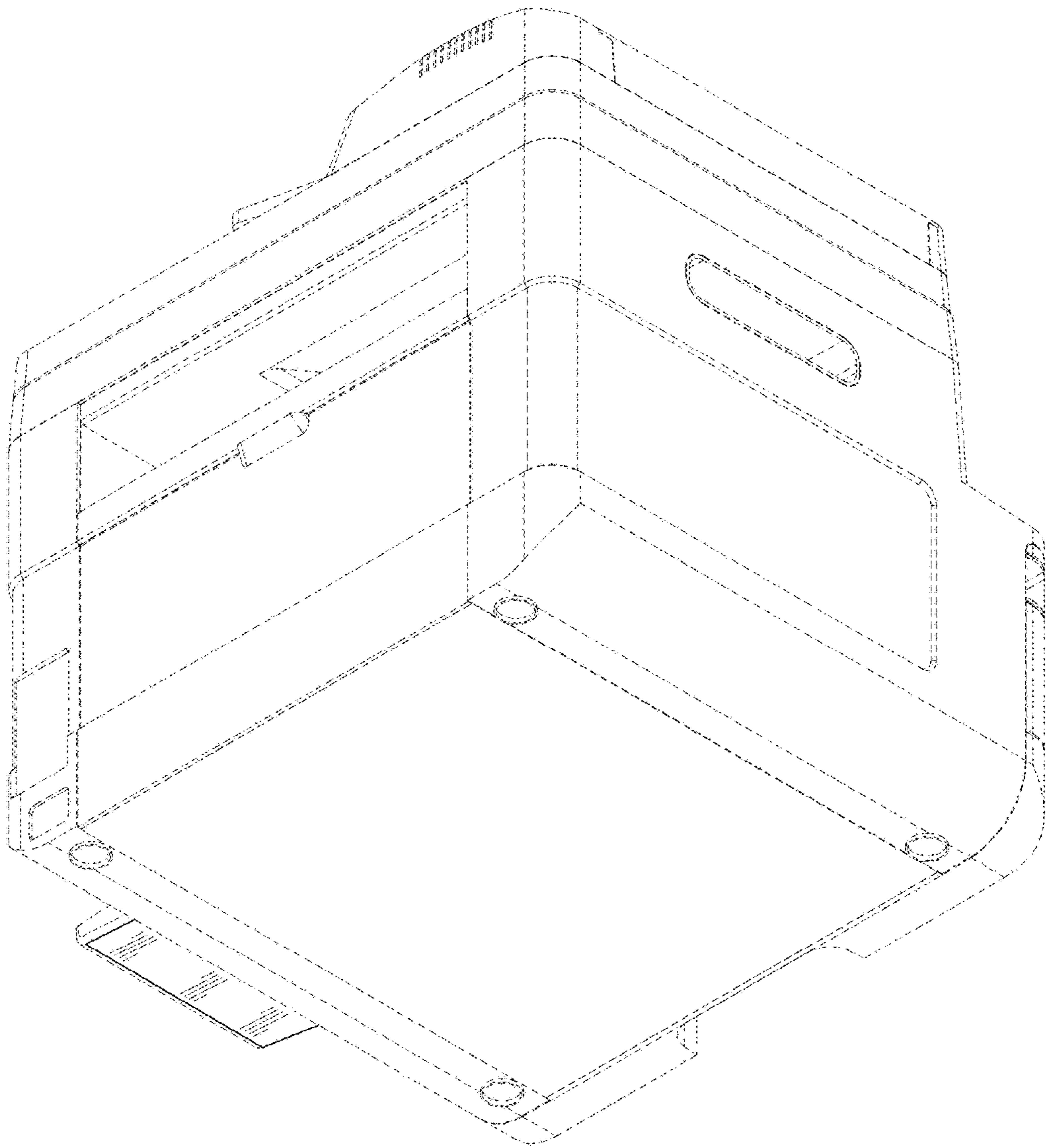


FIG. 3

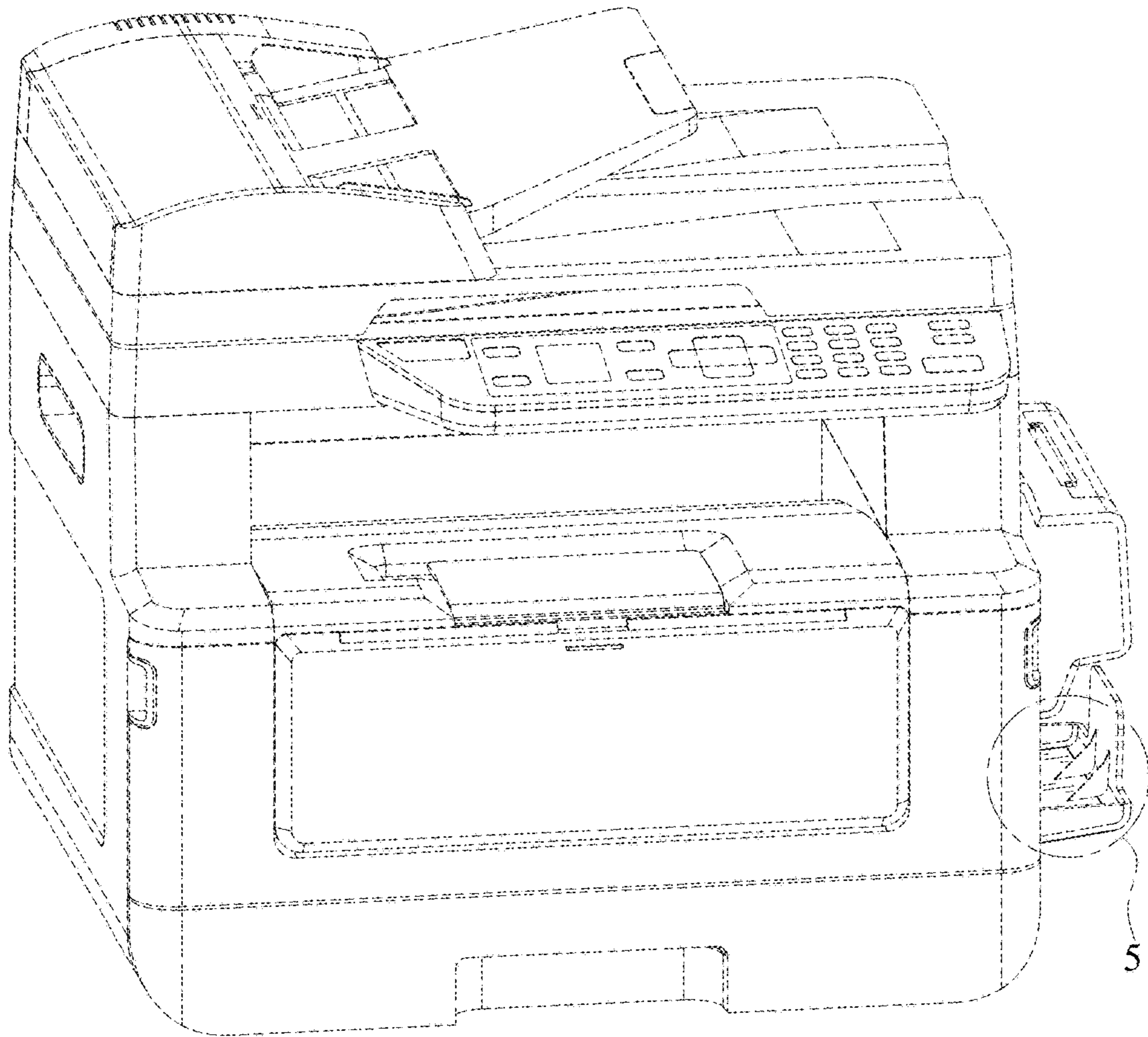


FIG. 4

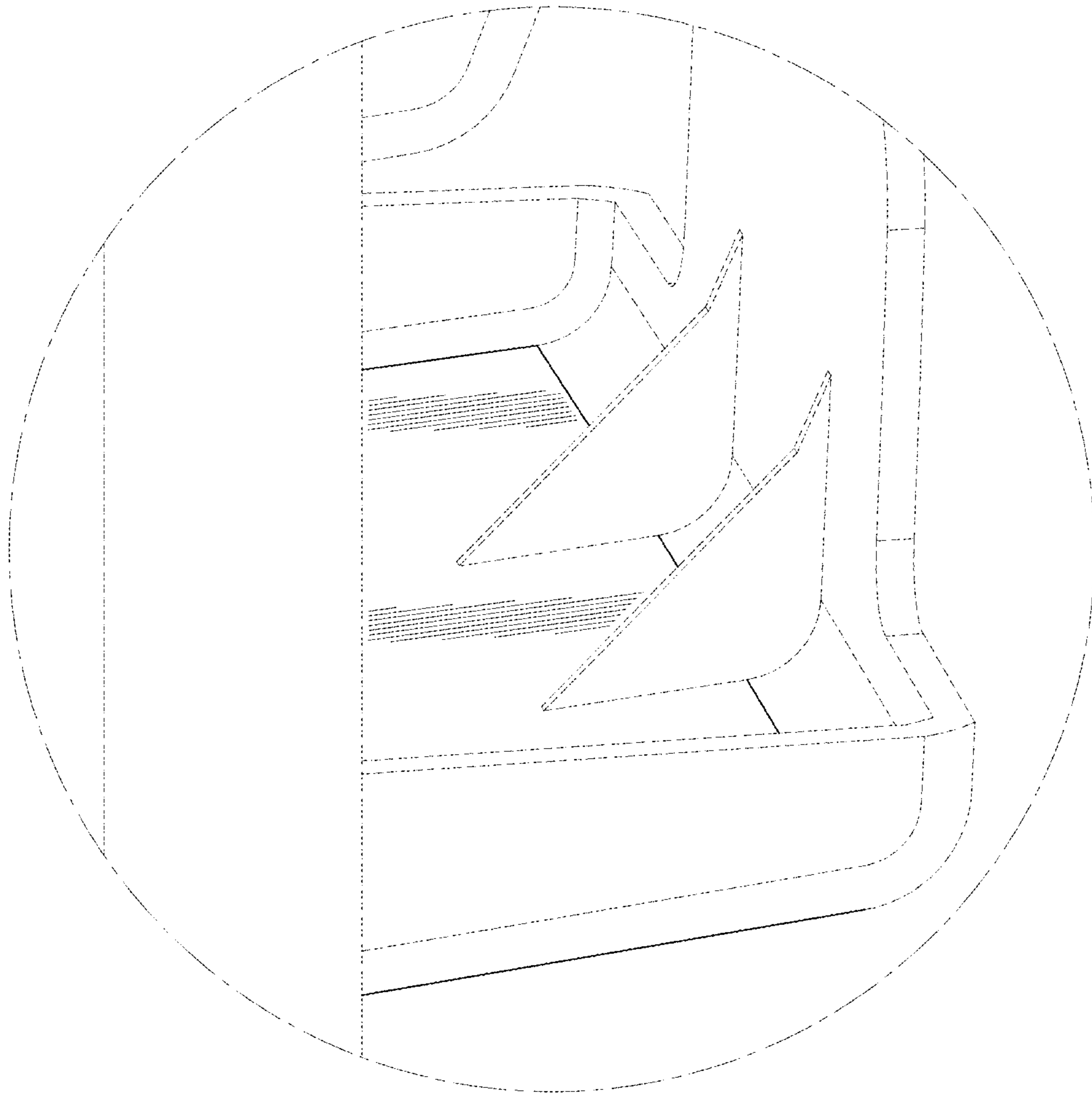


FIG. 5

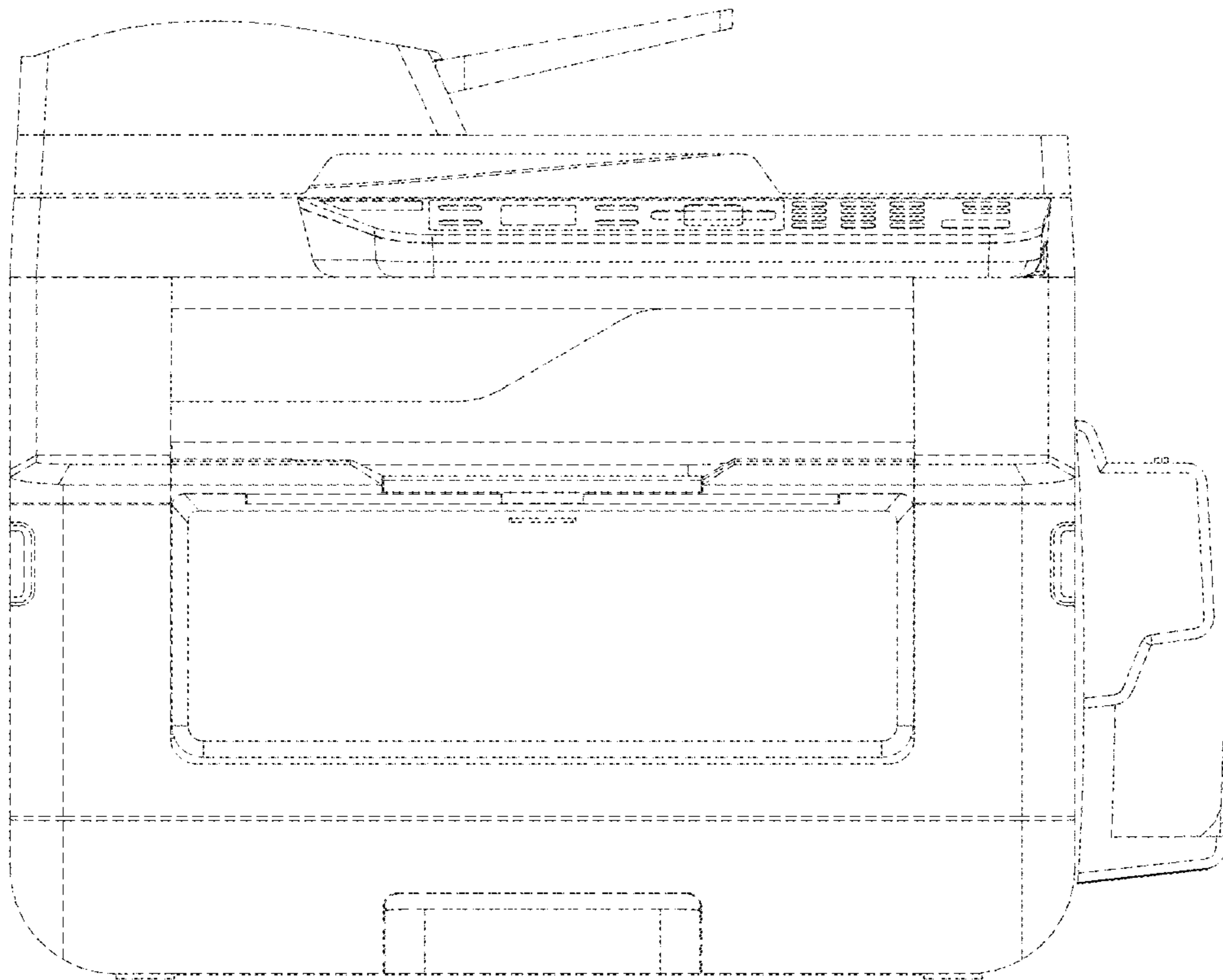


FIG. 6

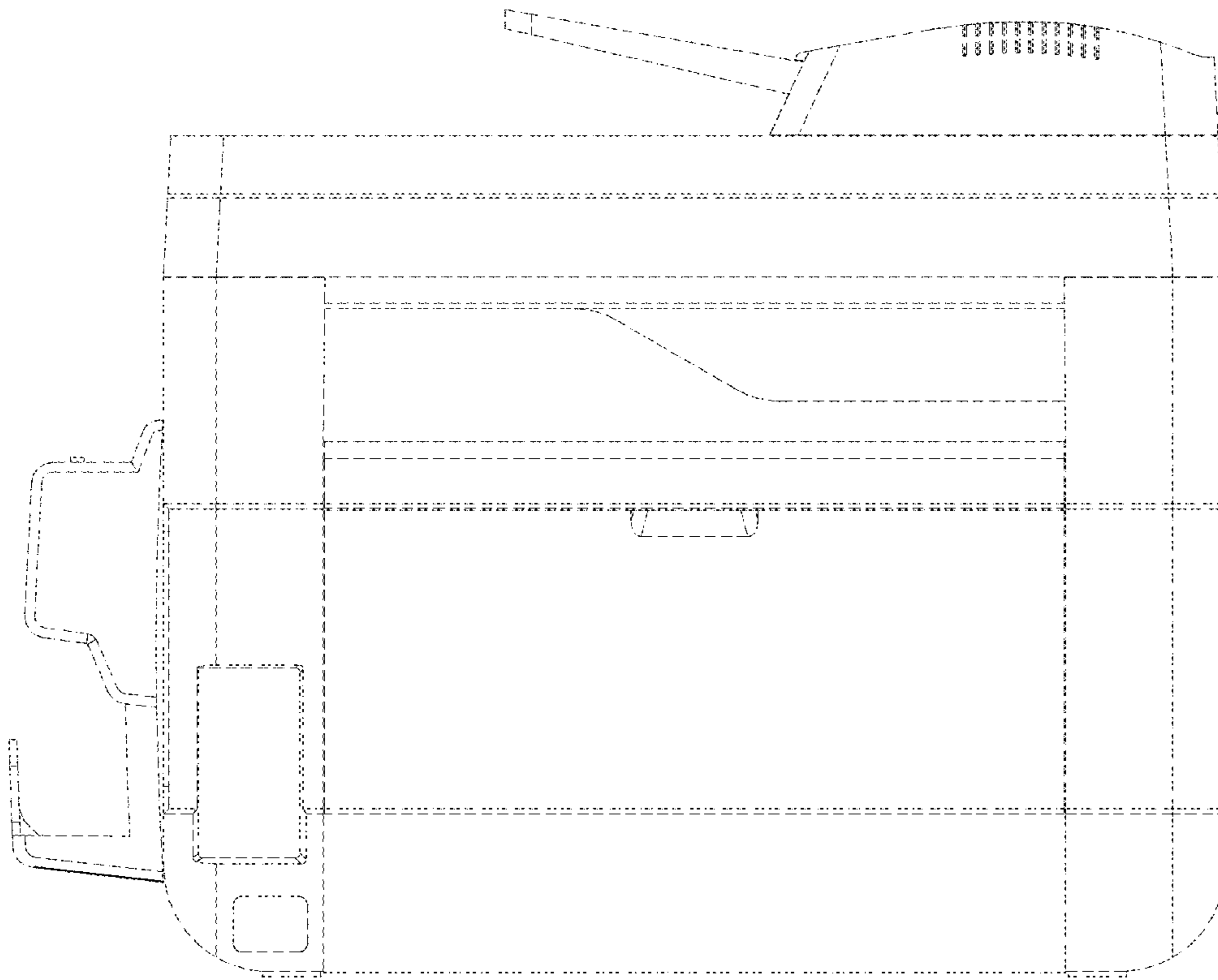


FIG. 7

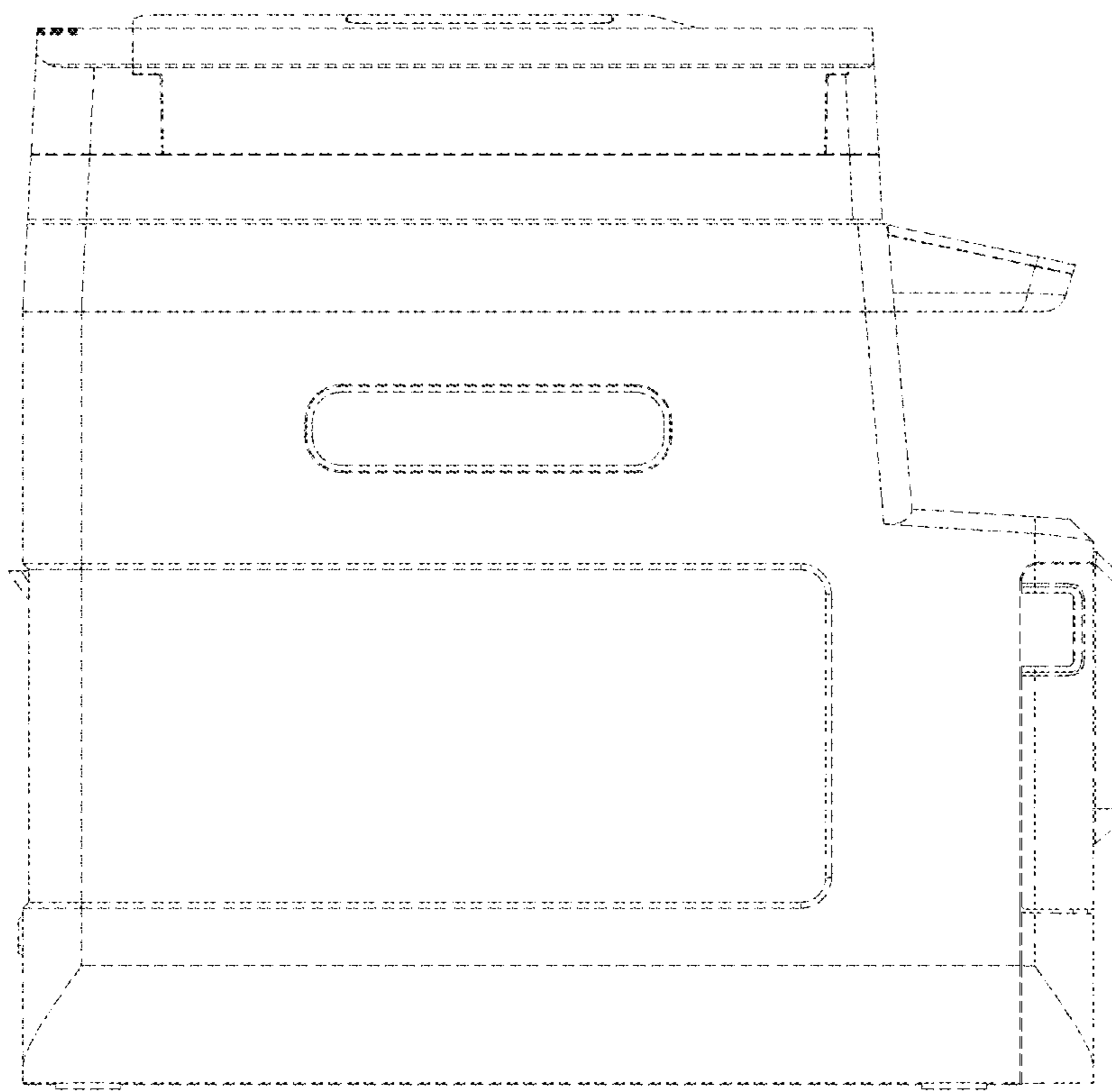


FIG. 8

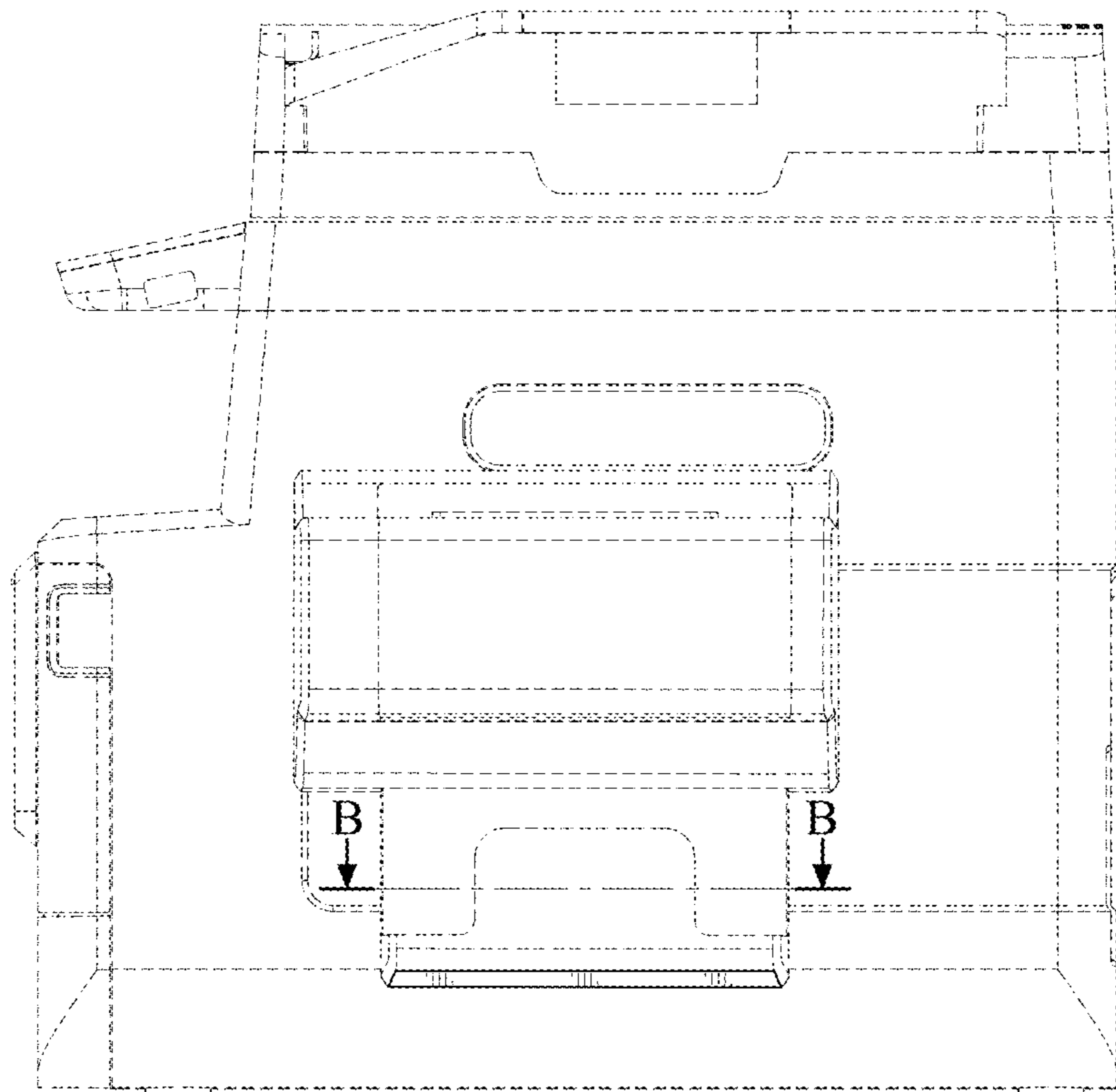


FIG. 9

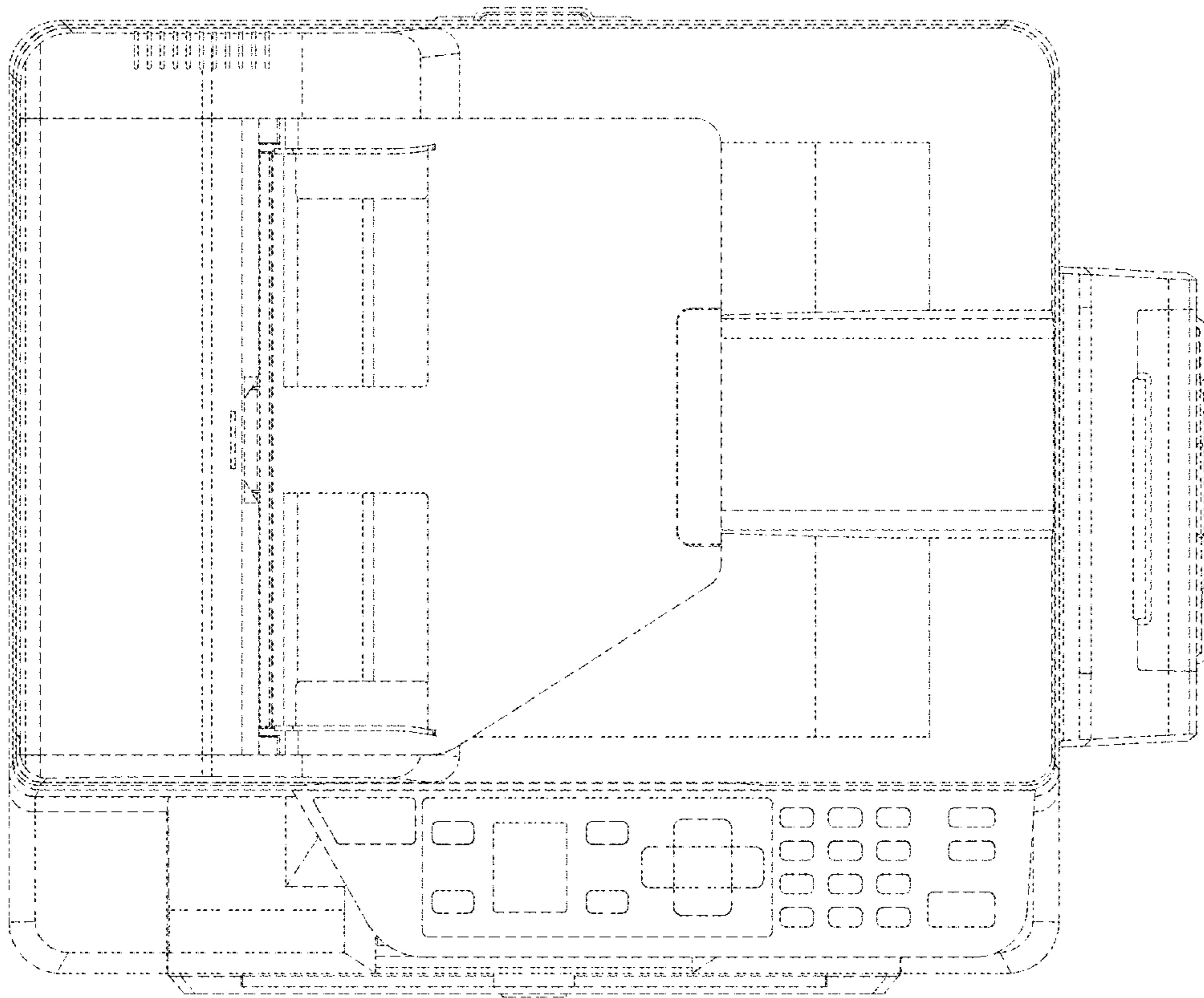


FIG. 10

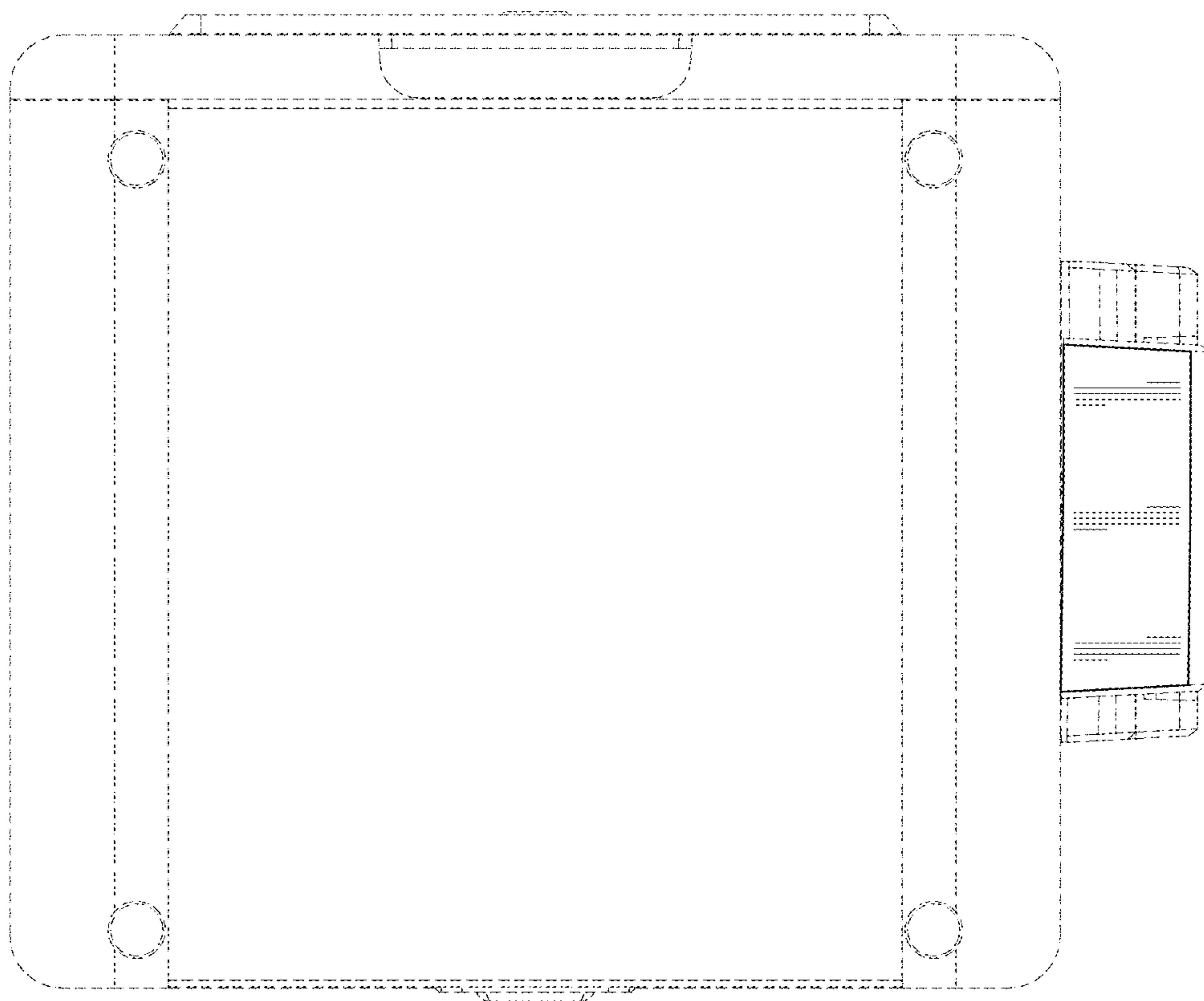


FIG. 11



FIG. 12

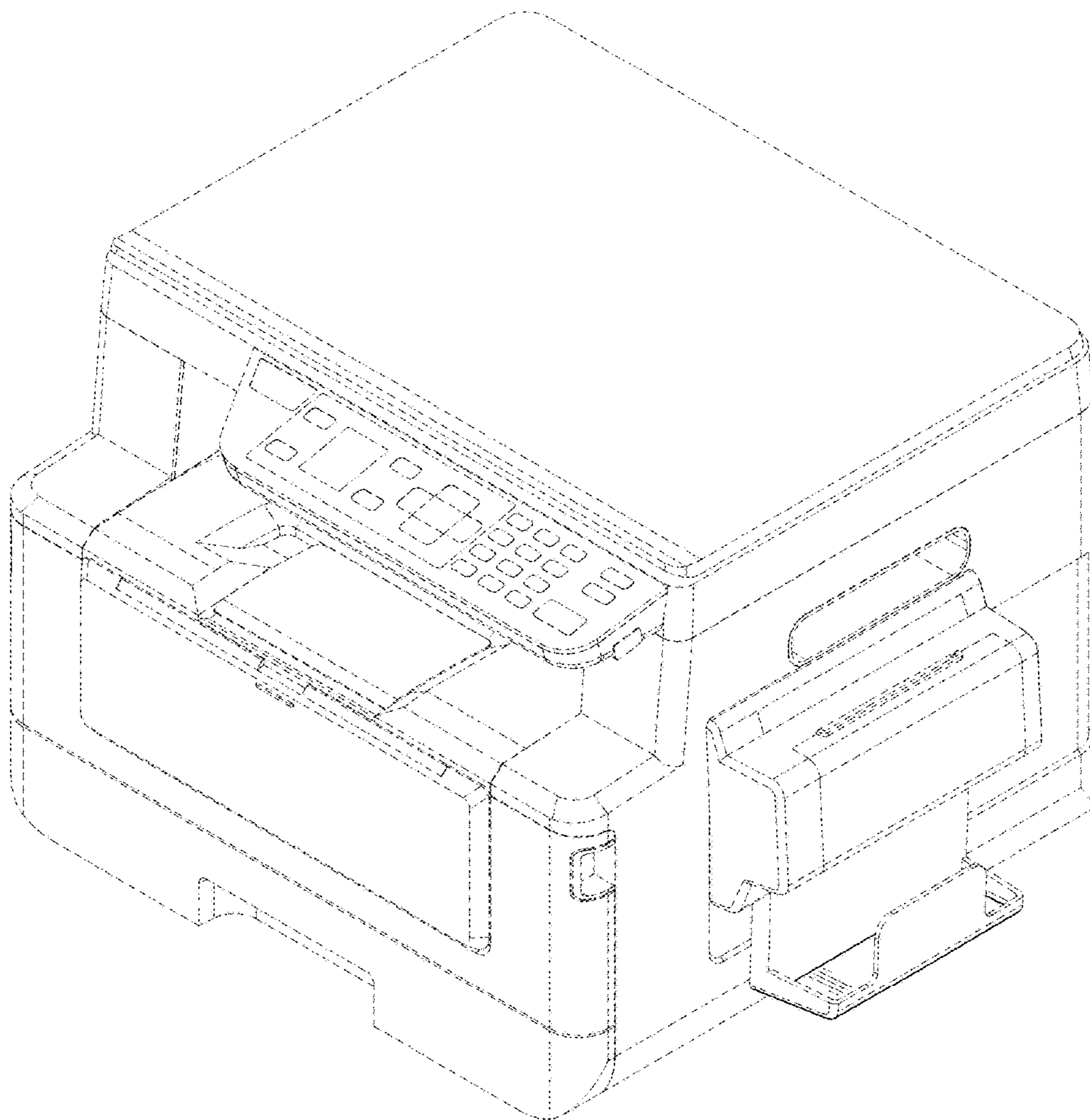


FIG. 13

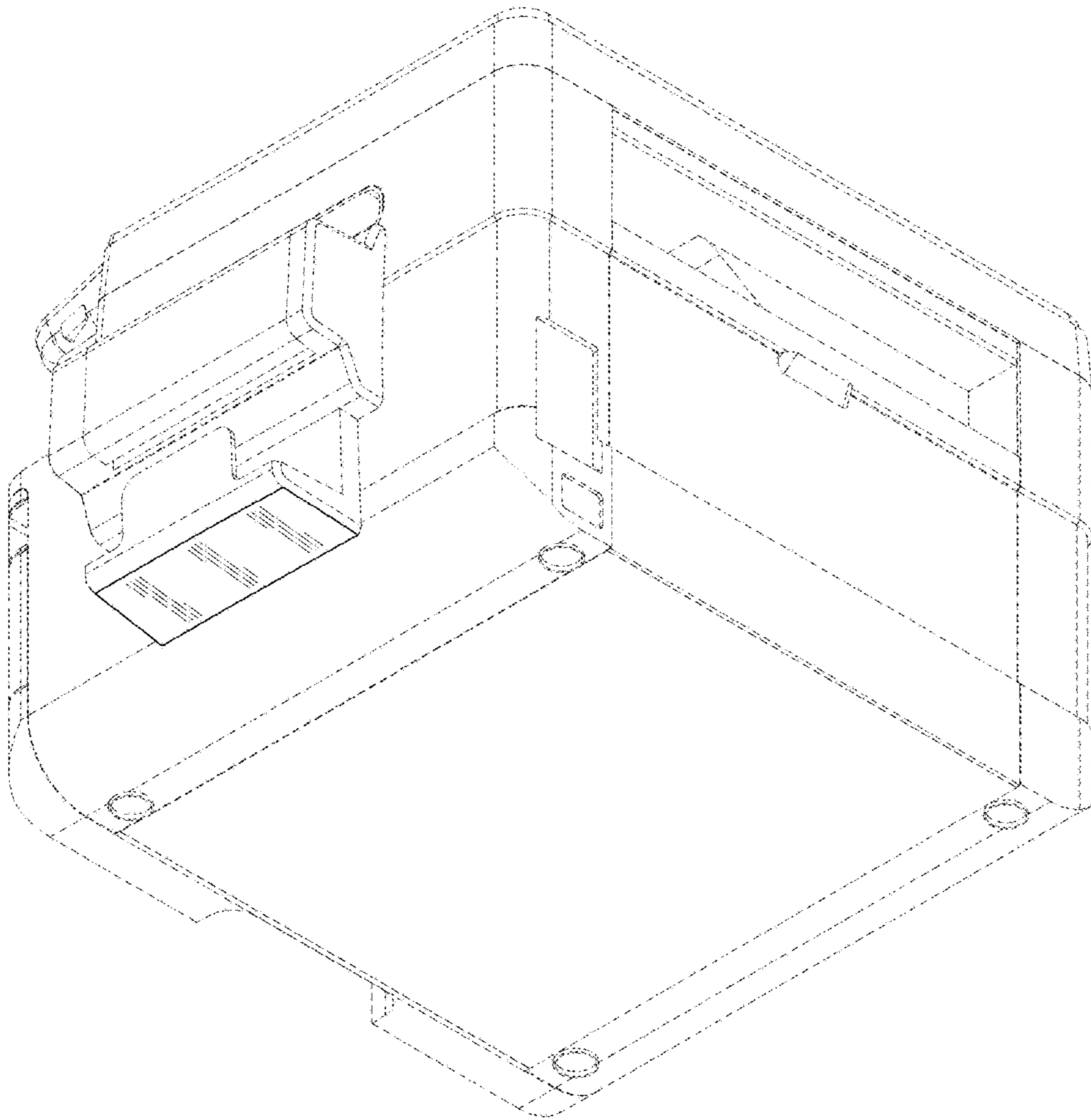


FIG. 14

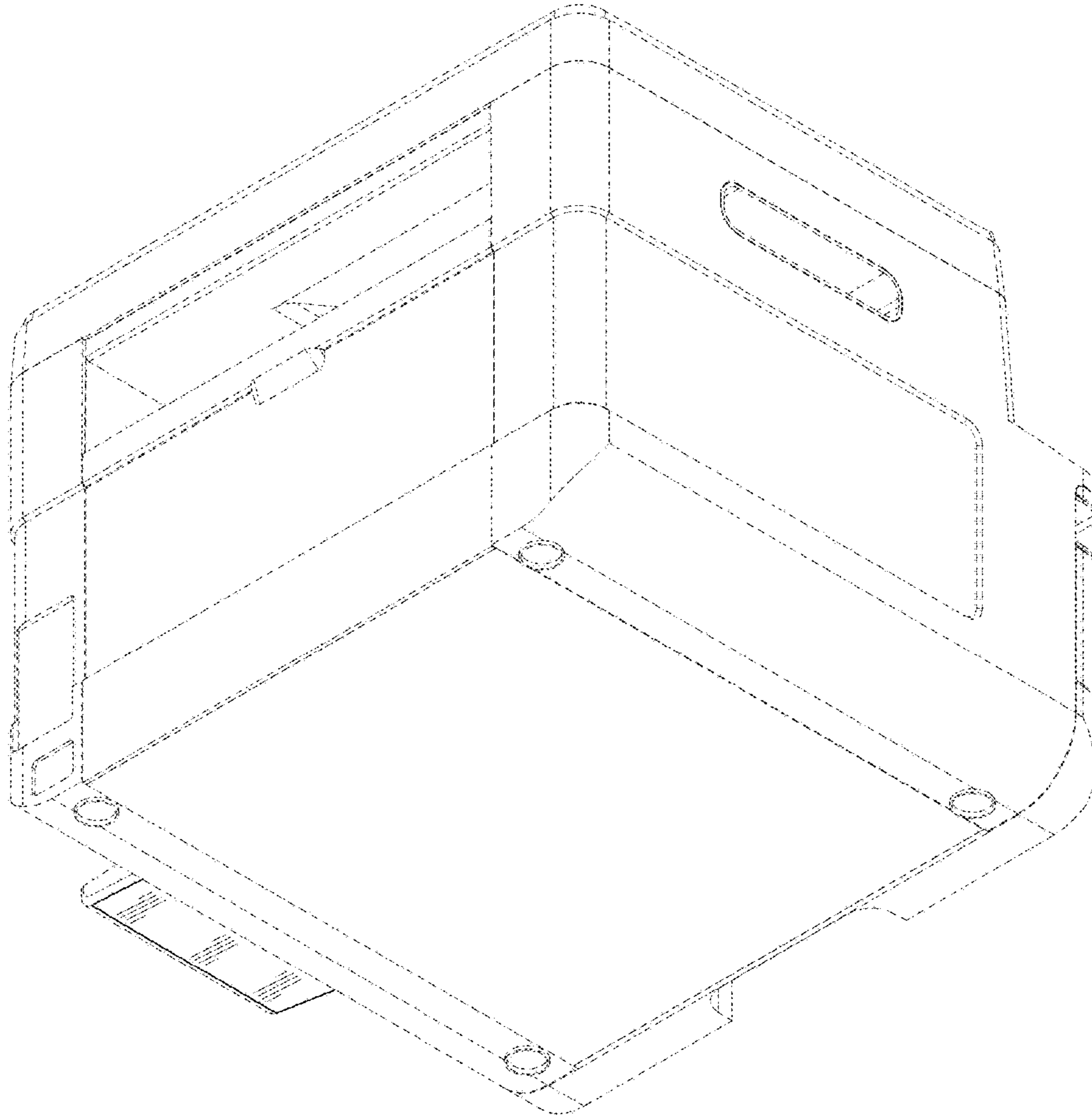


FIG. 15

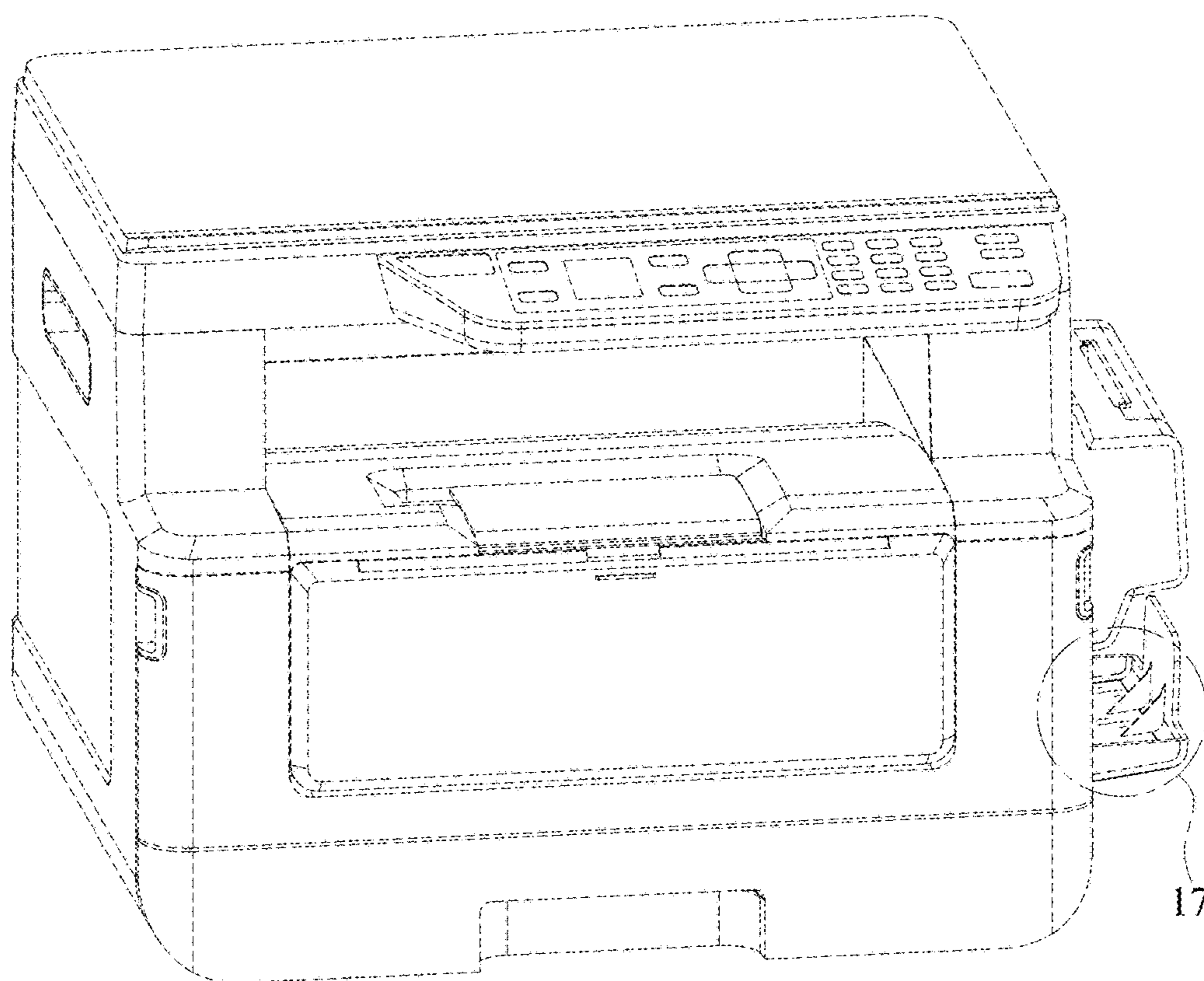


FIG. 16

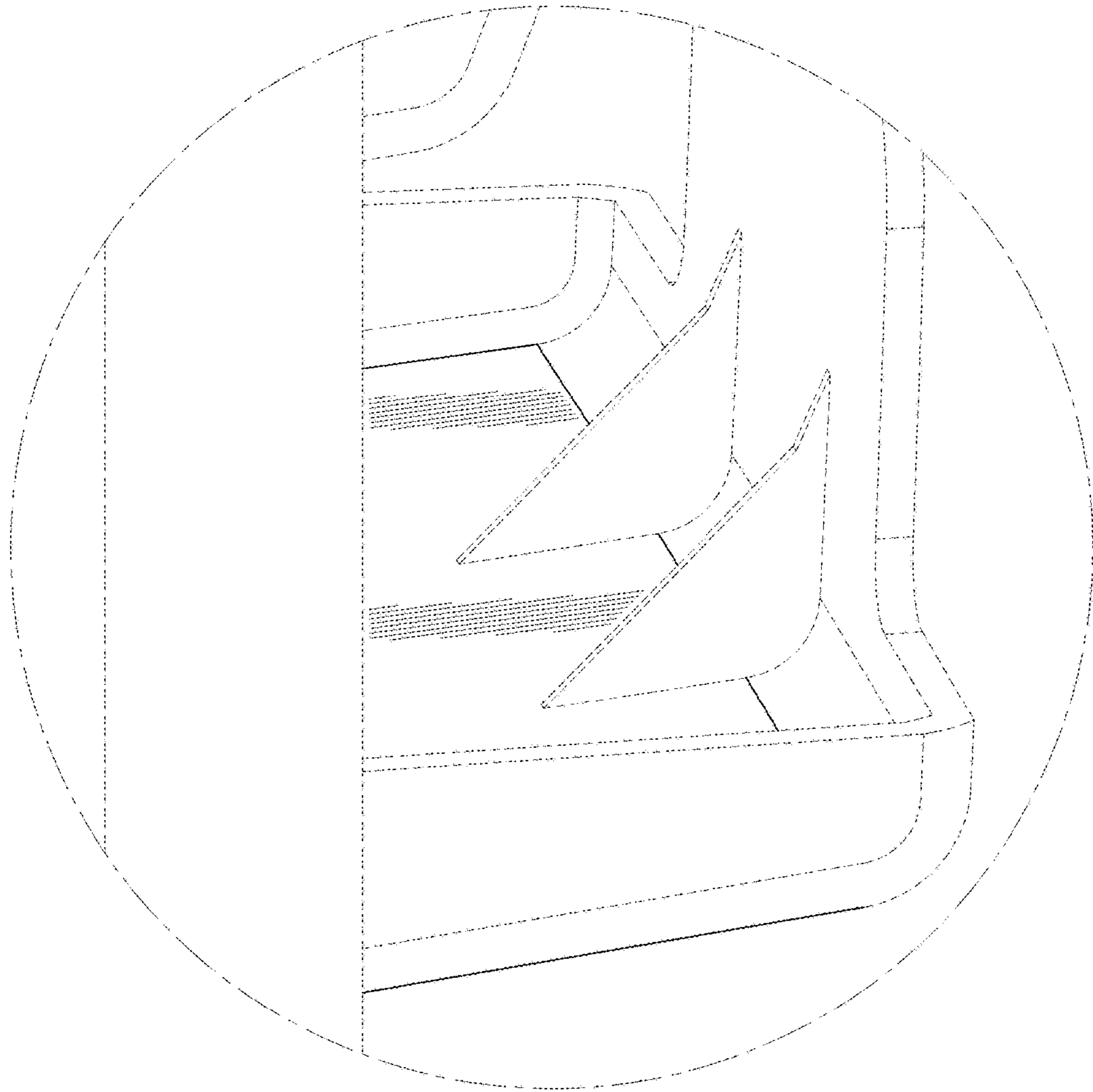


FIG. 17

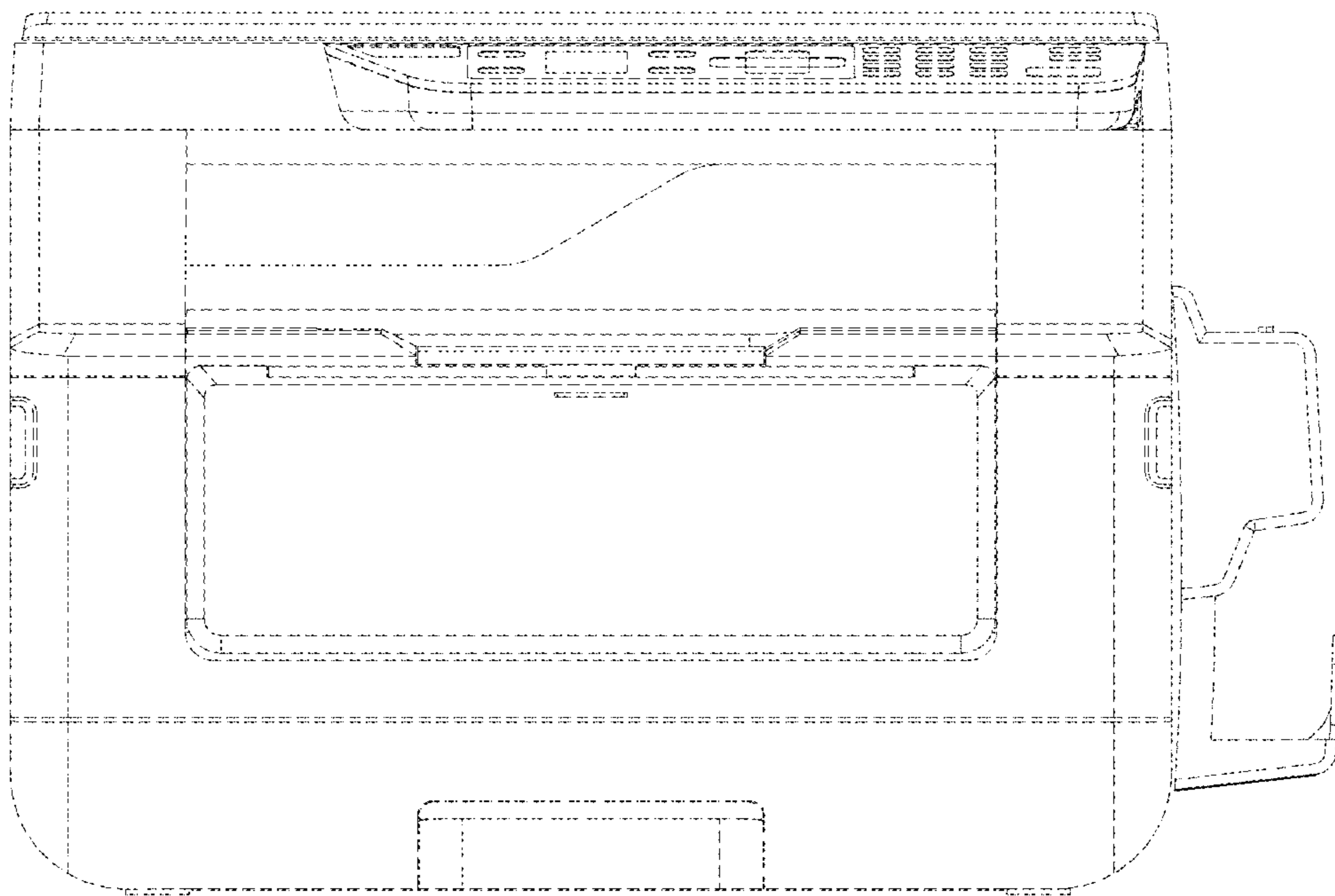


FIG. 18

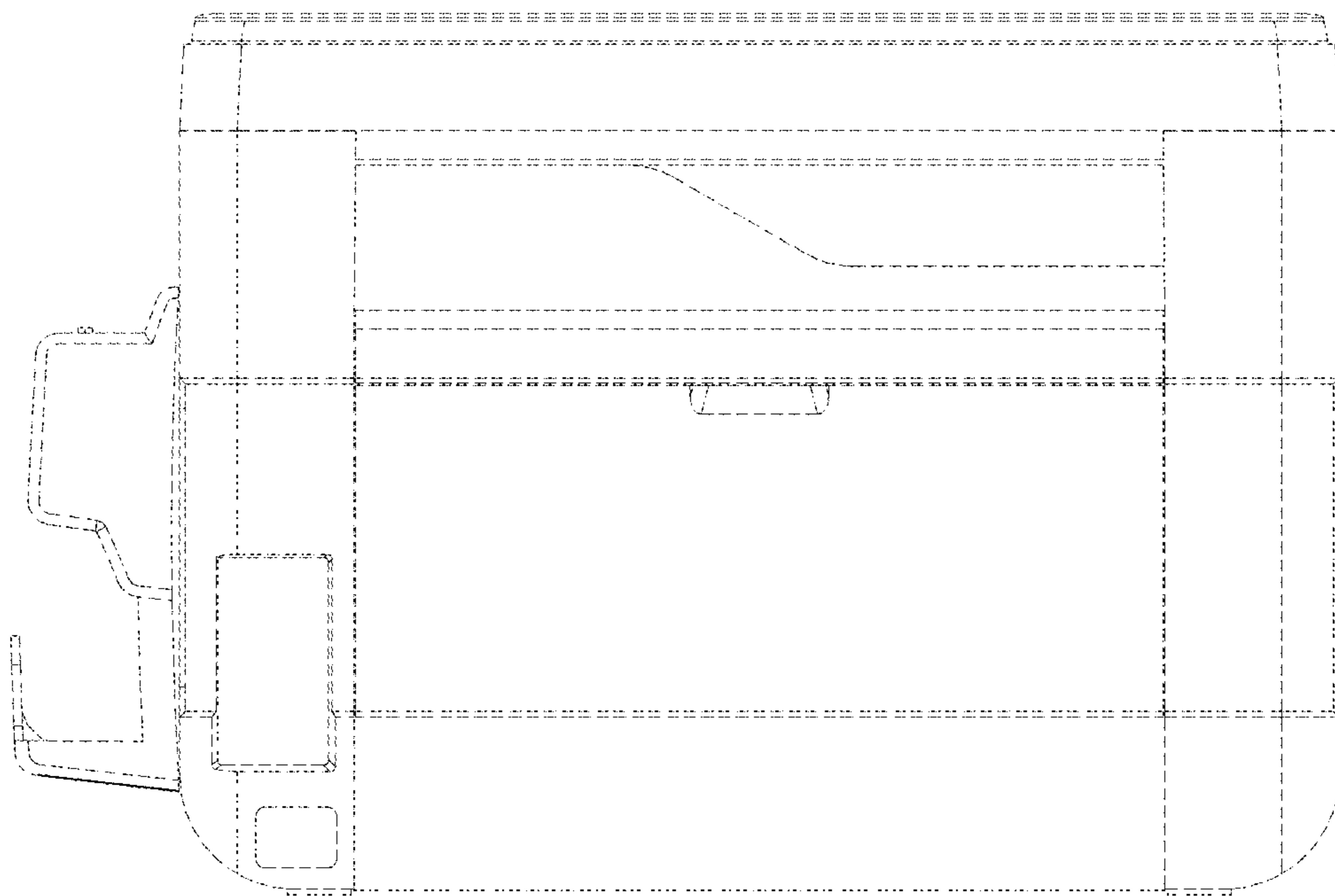


FIG. 19

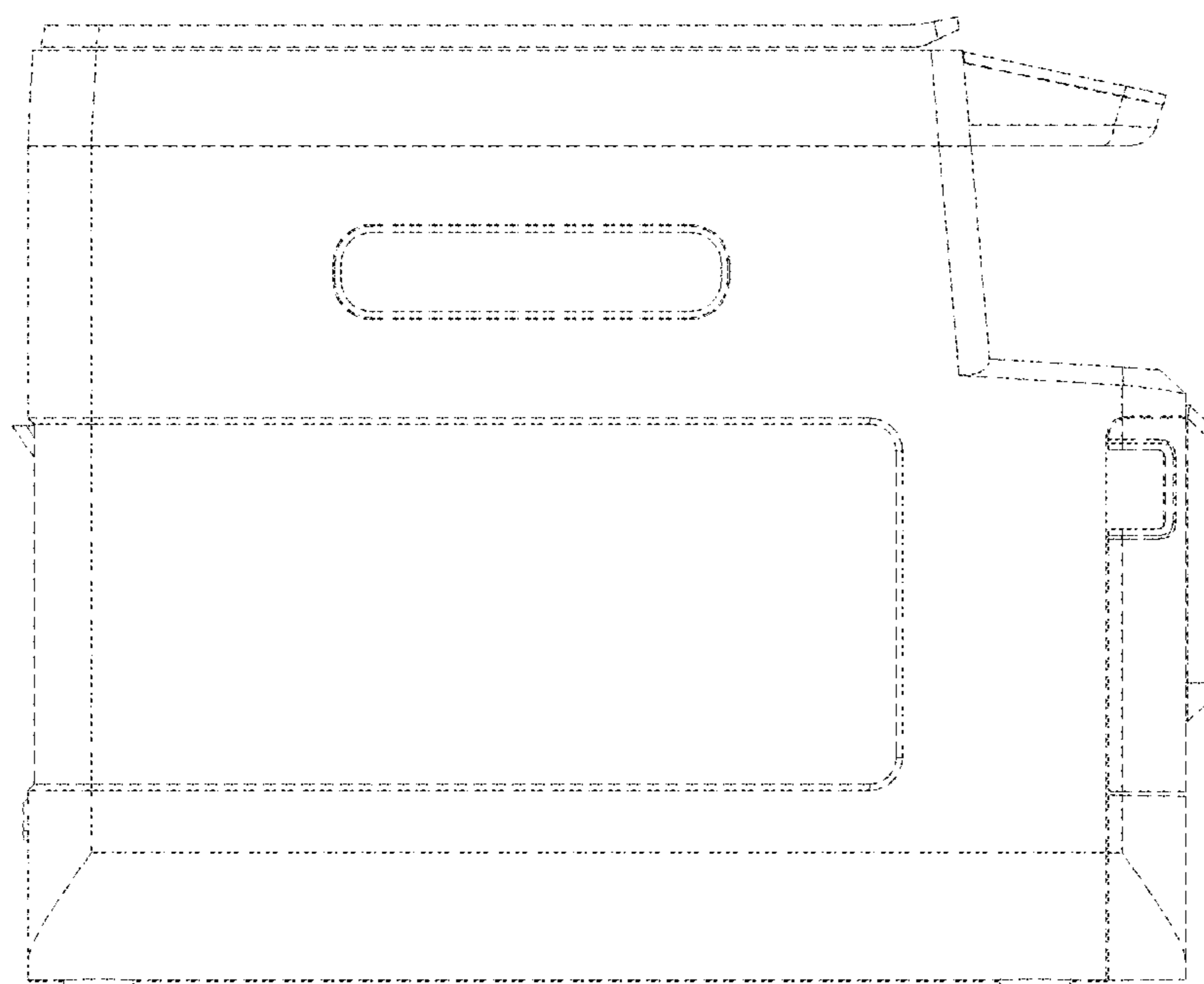


FIG. 20

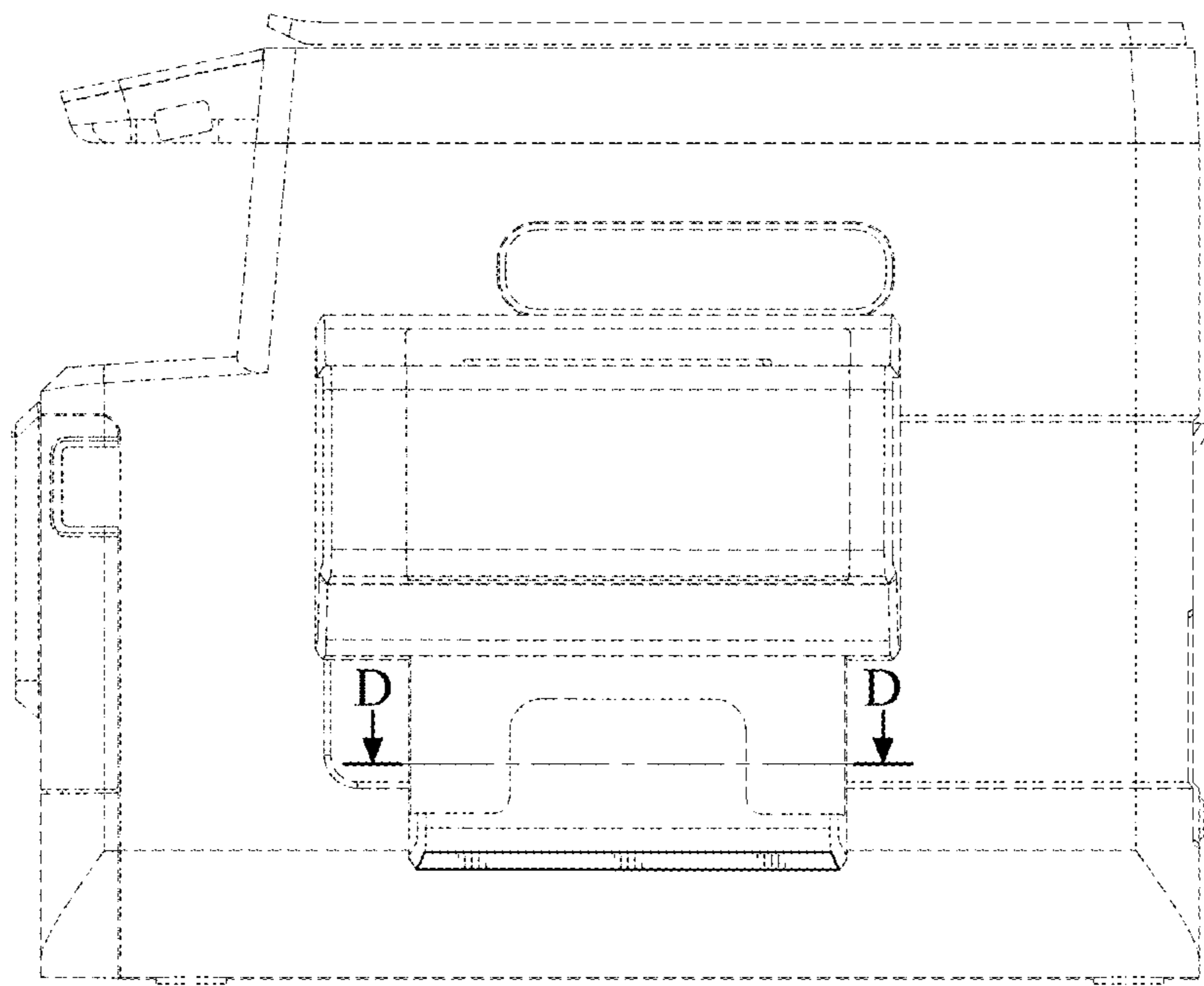


FIG. 21

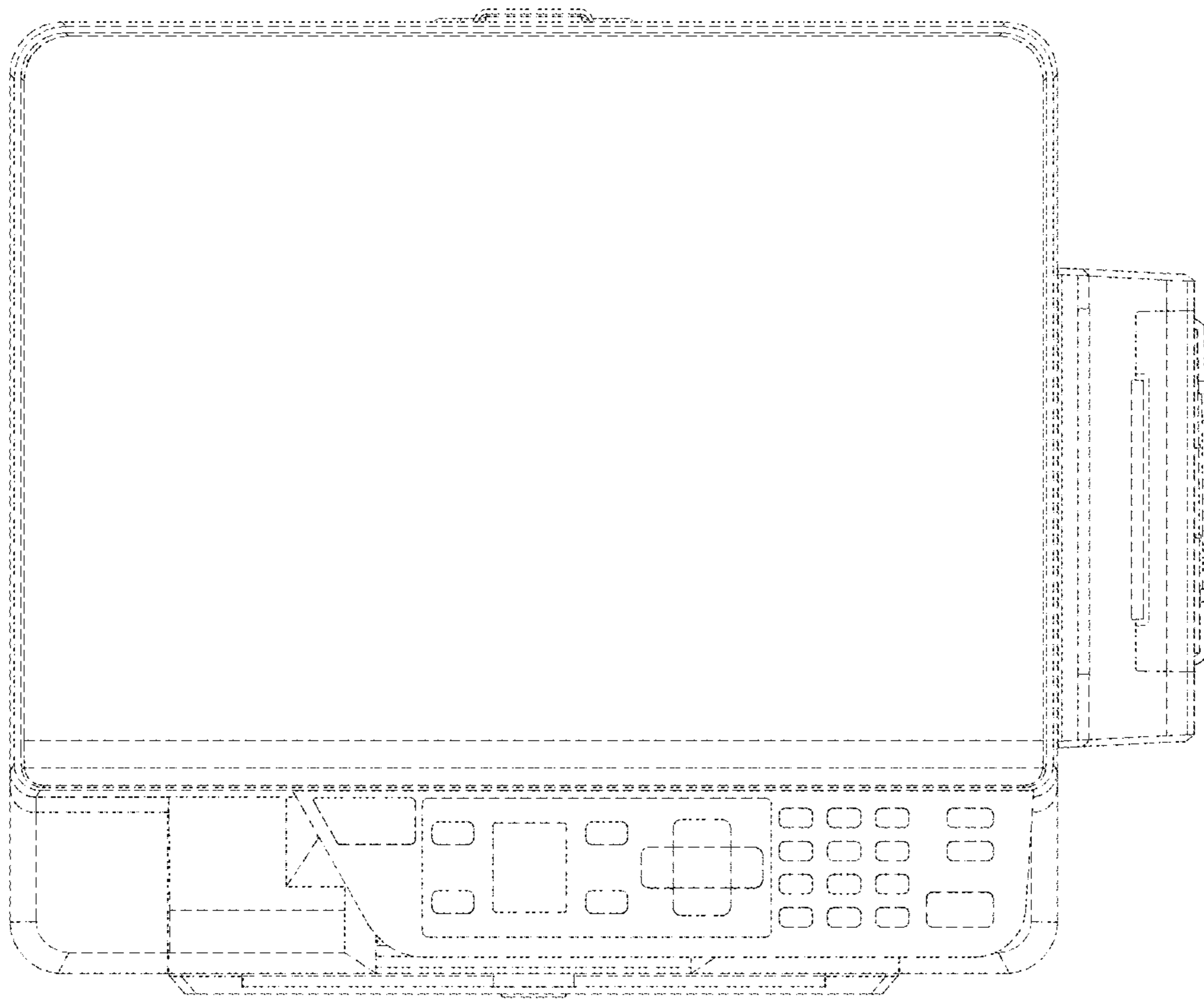


FIG. 22

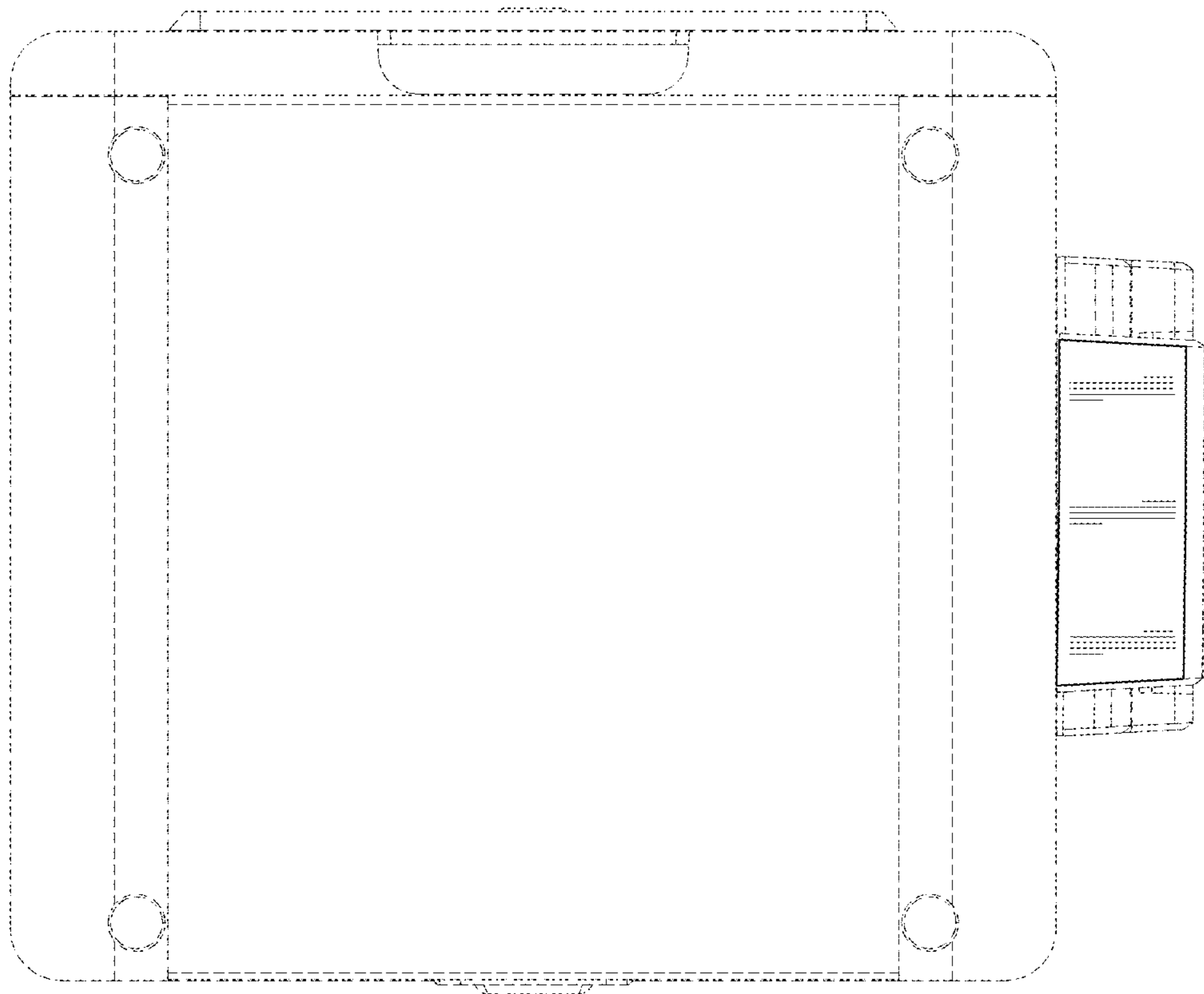


FIG. 23

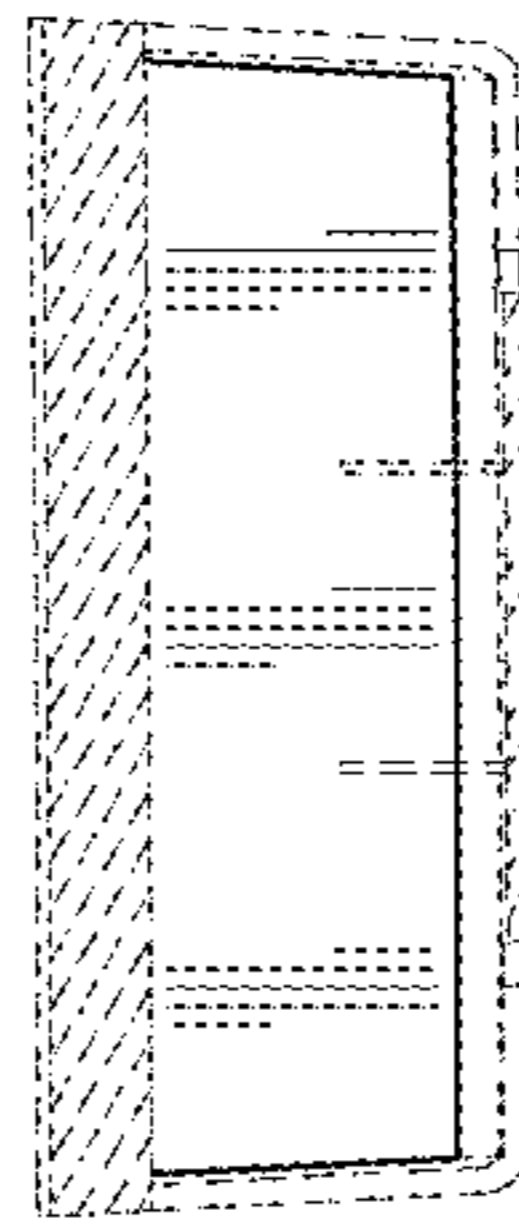


FIG. 24

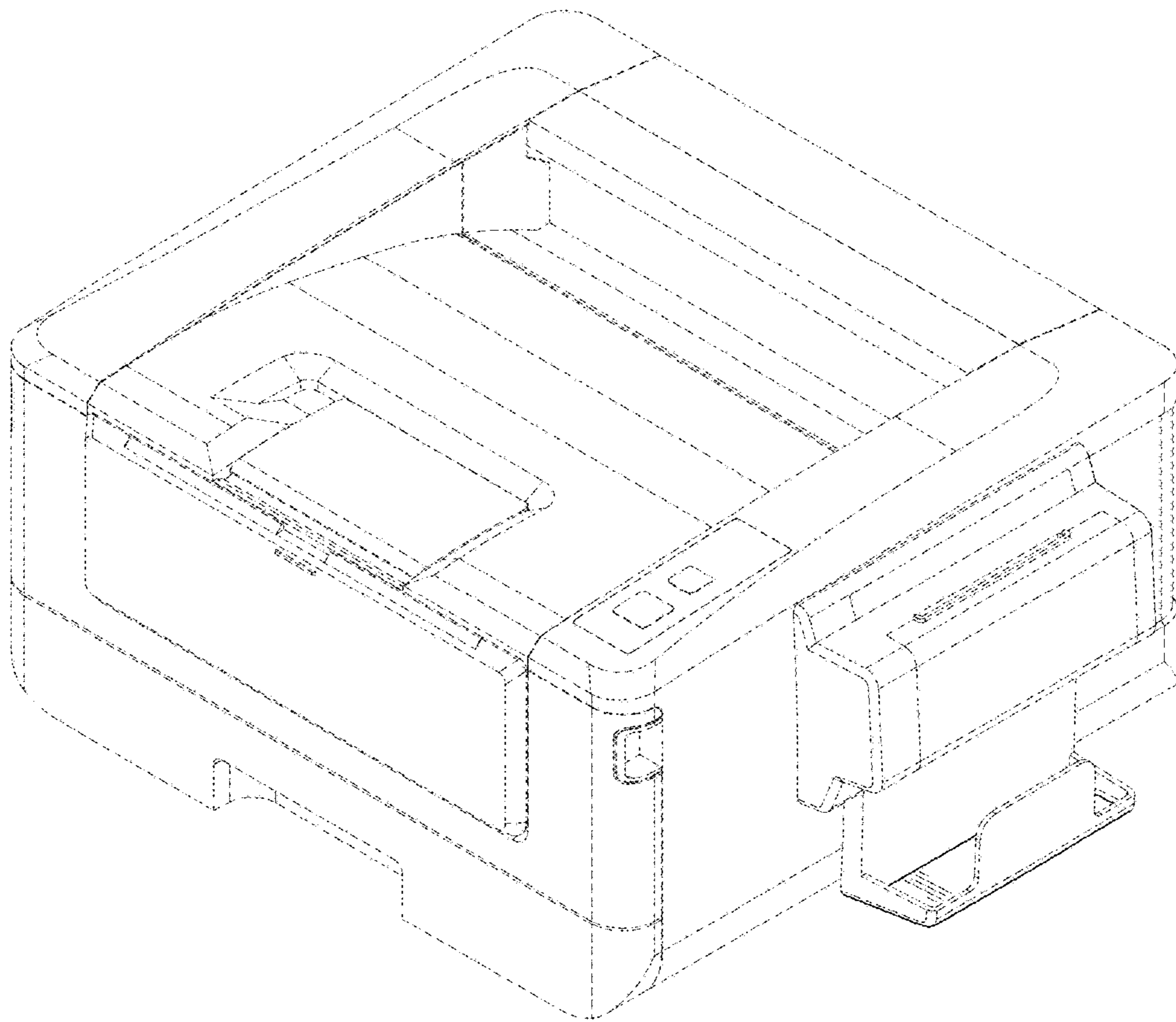


FIG. 25

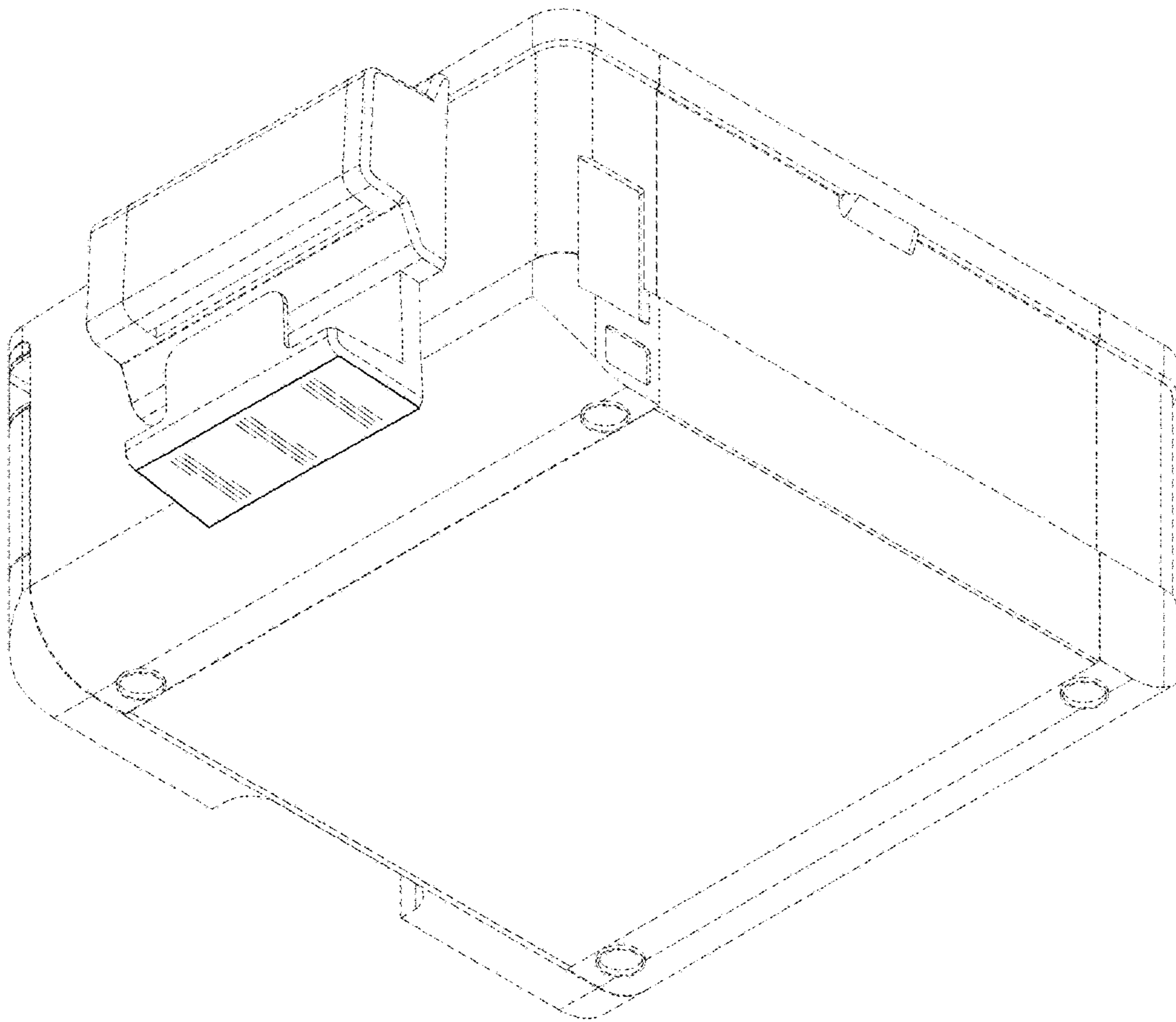


FIG. 26

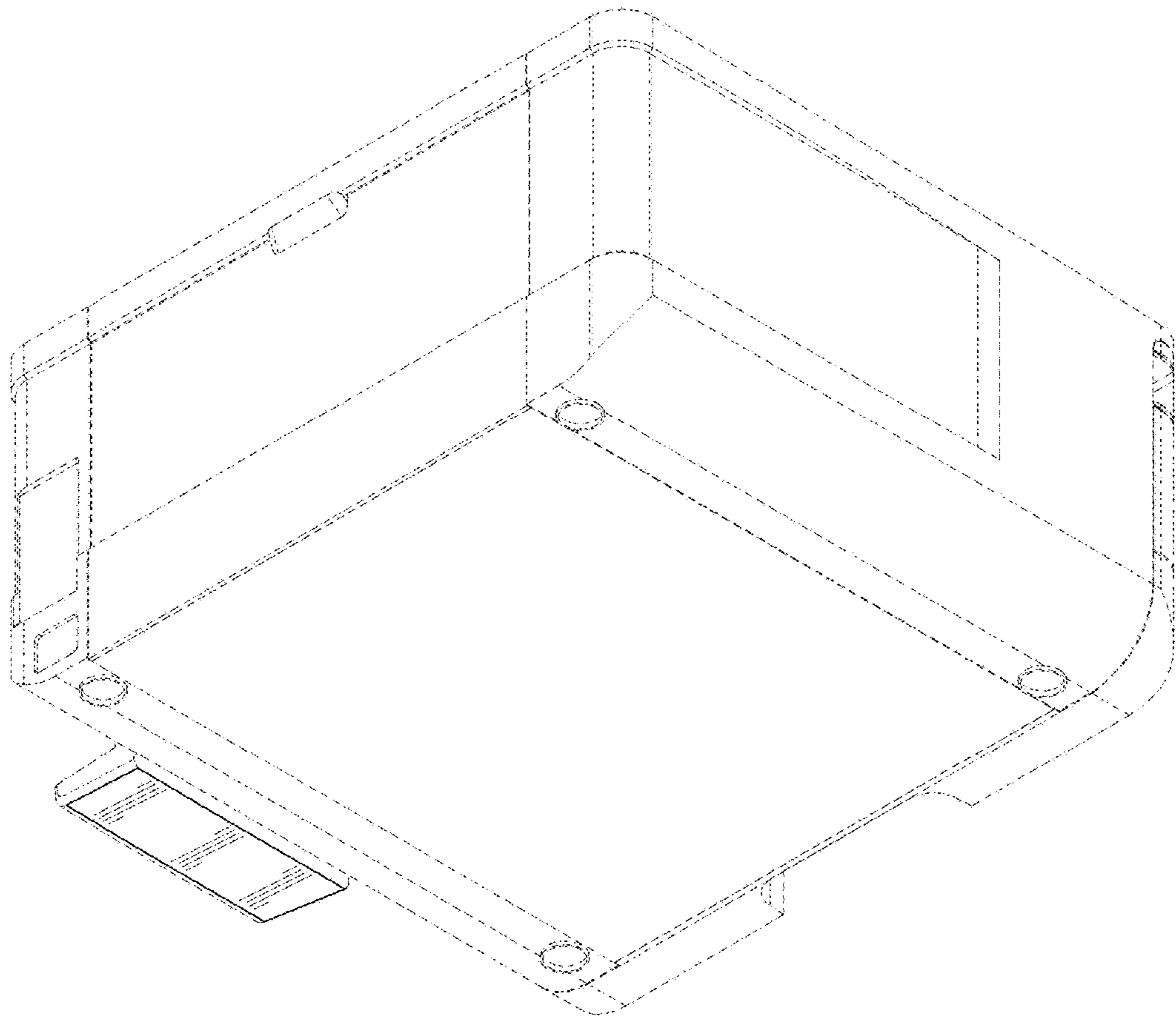


FIG. 27

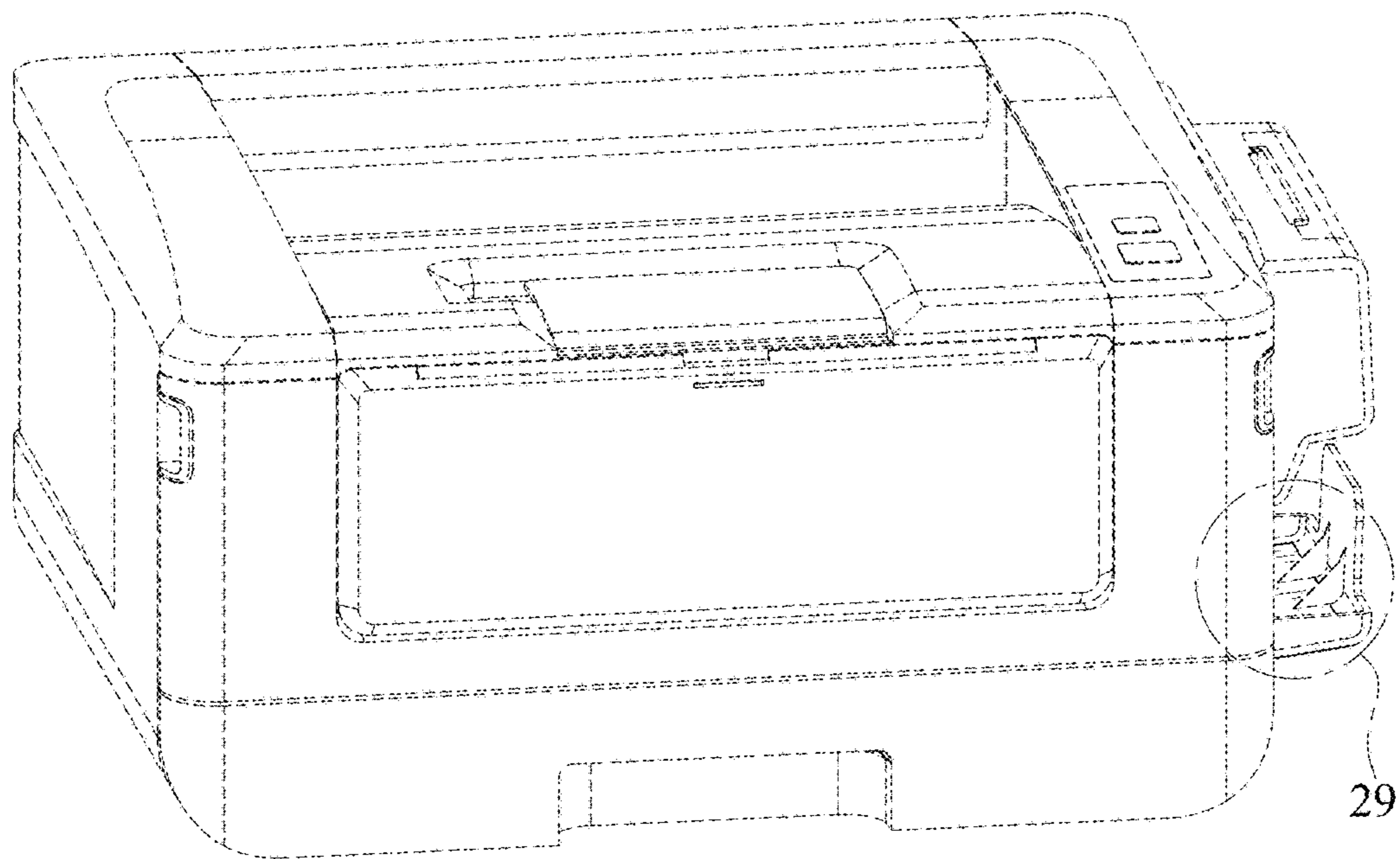


FIG. 28

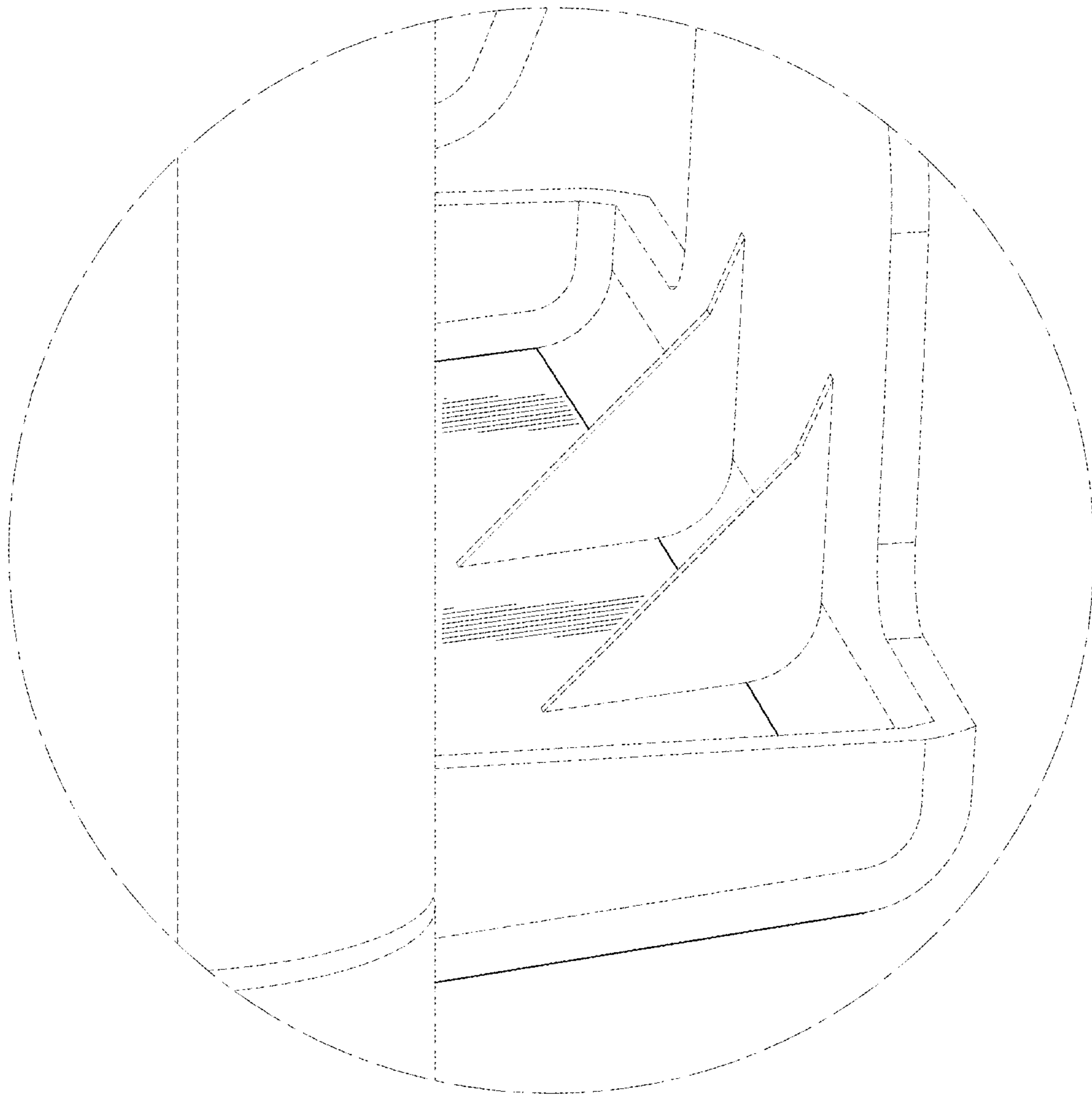


FIG. 29

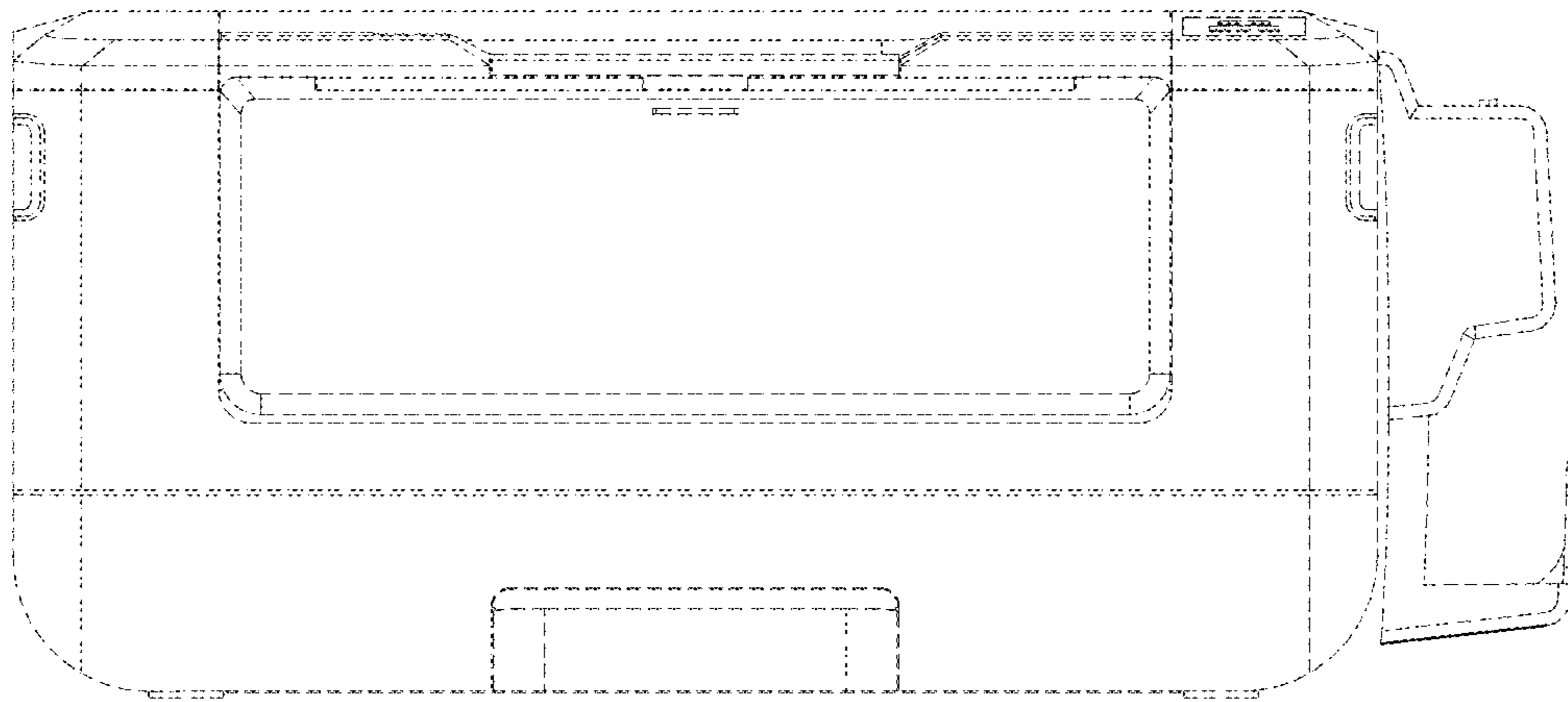


FIG. 30

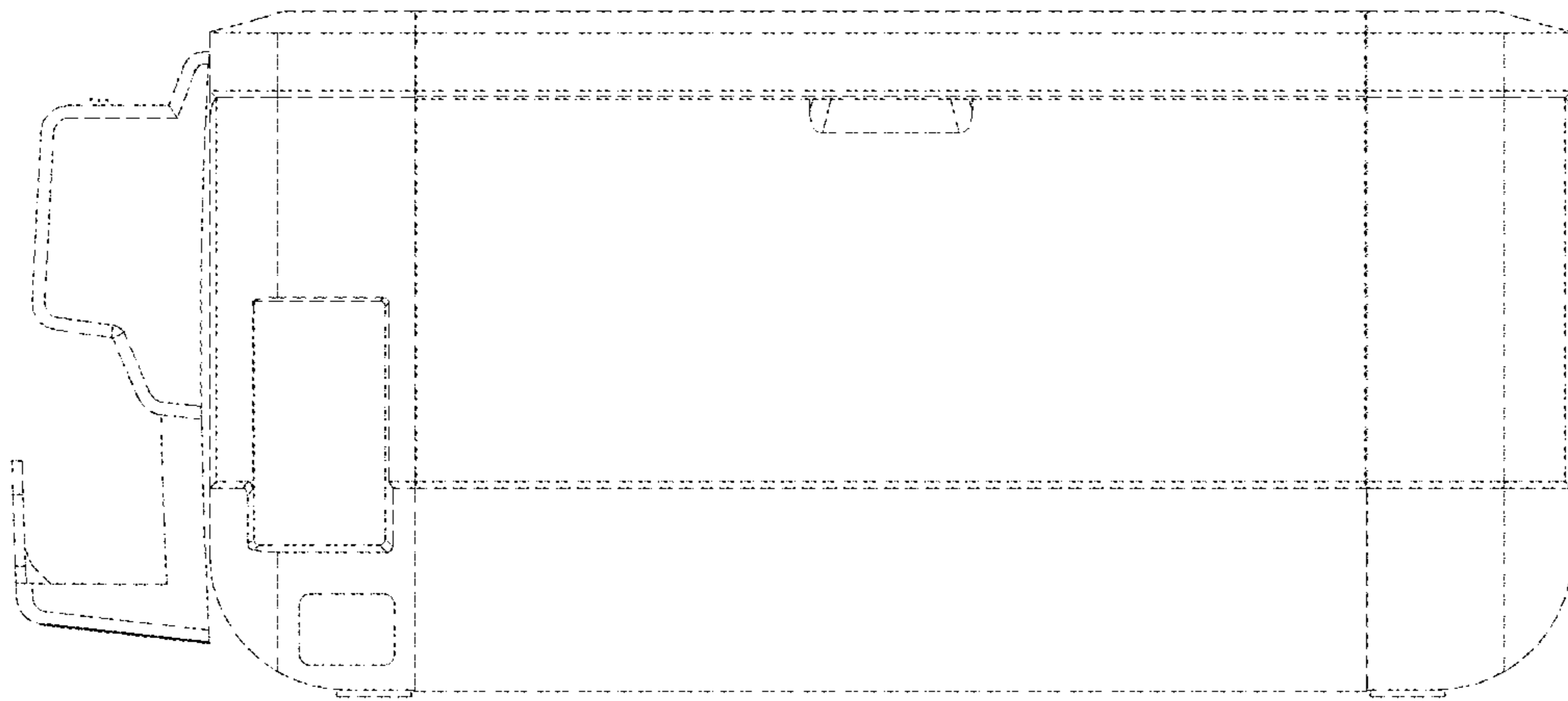


FIG. 31

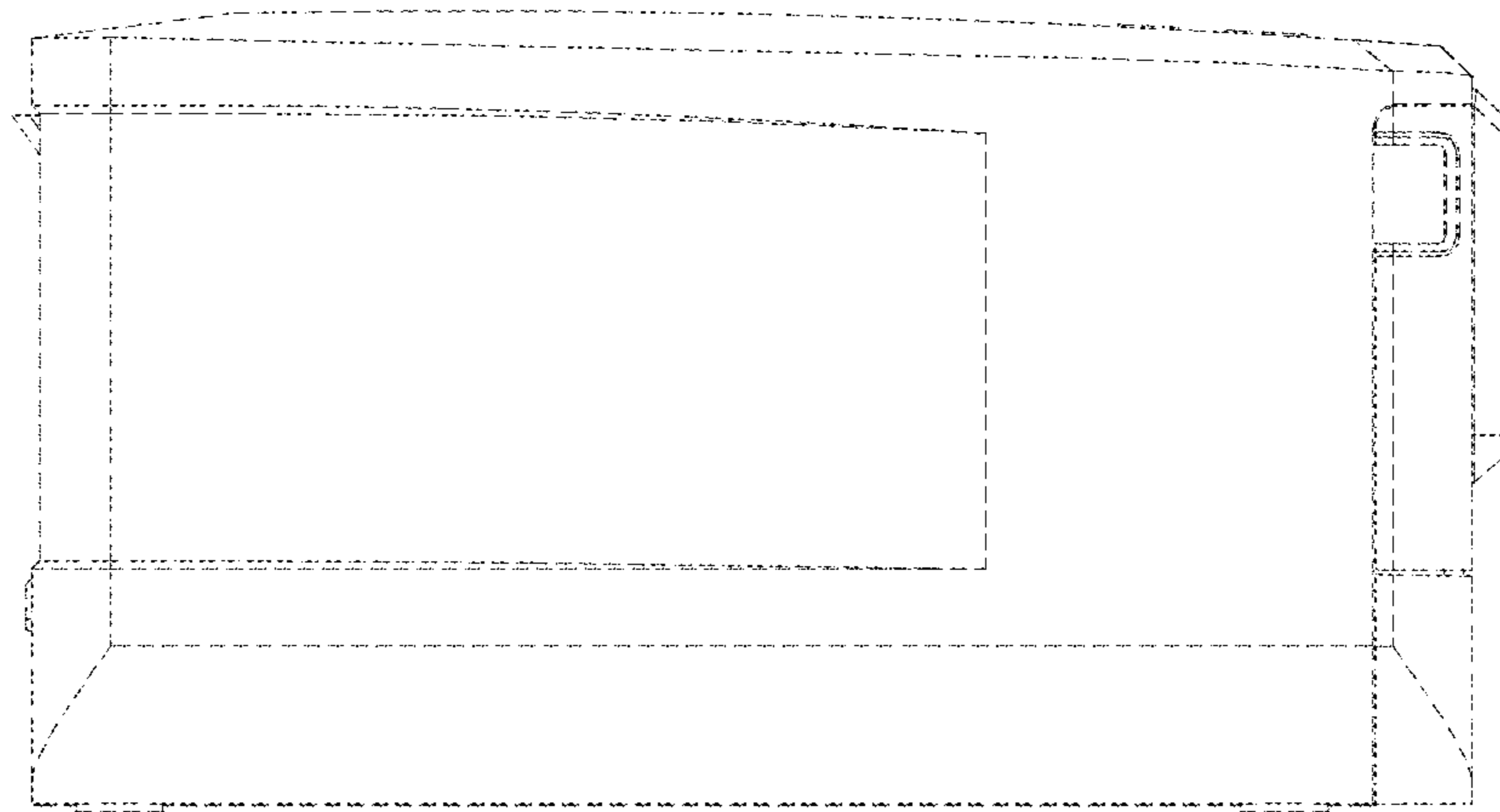


FIG. 32

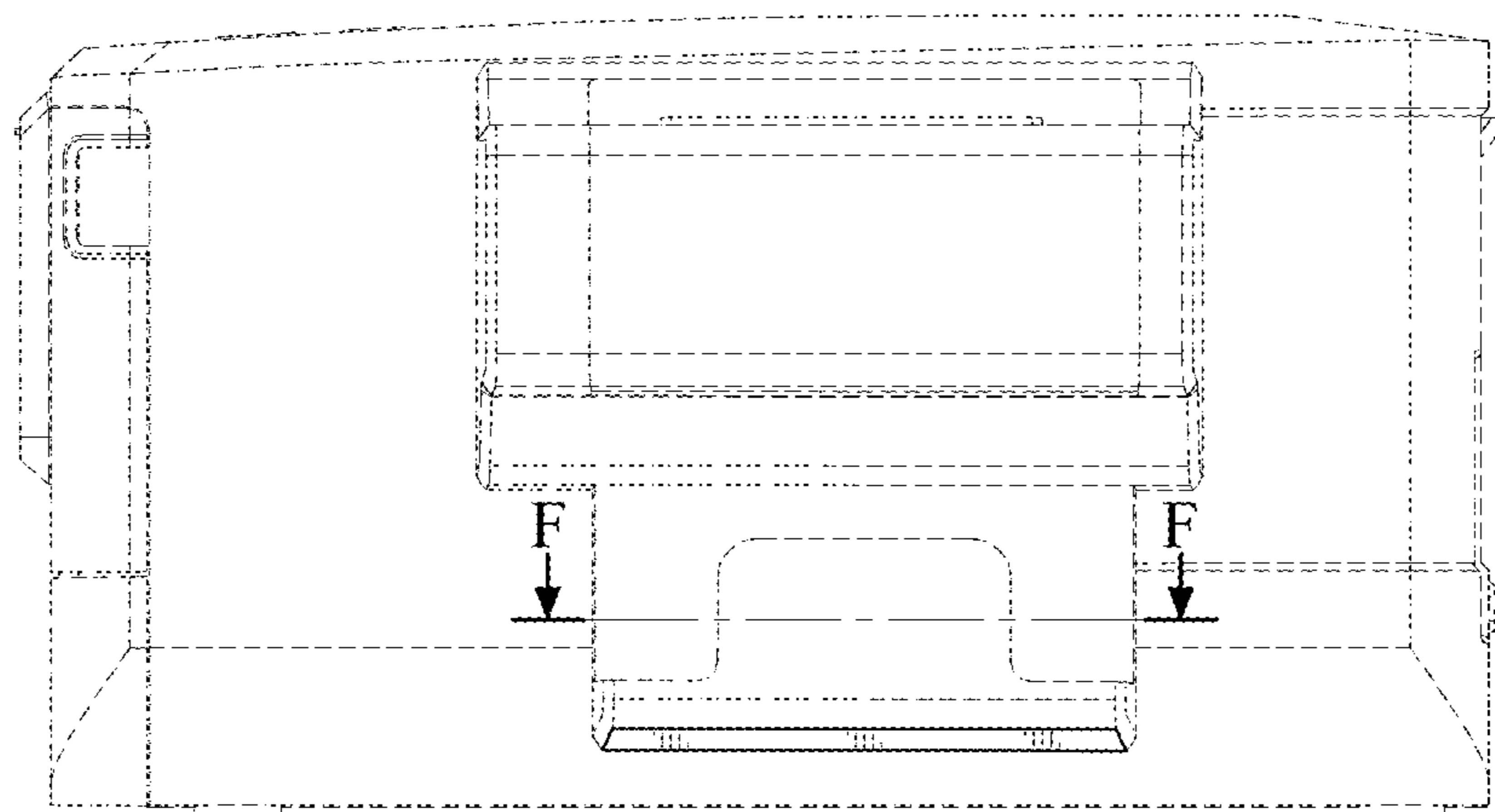


FIG. 33

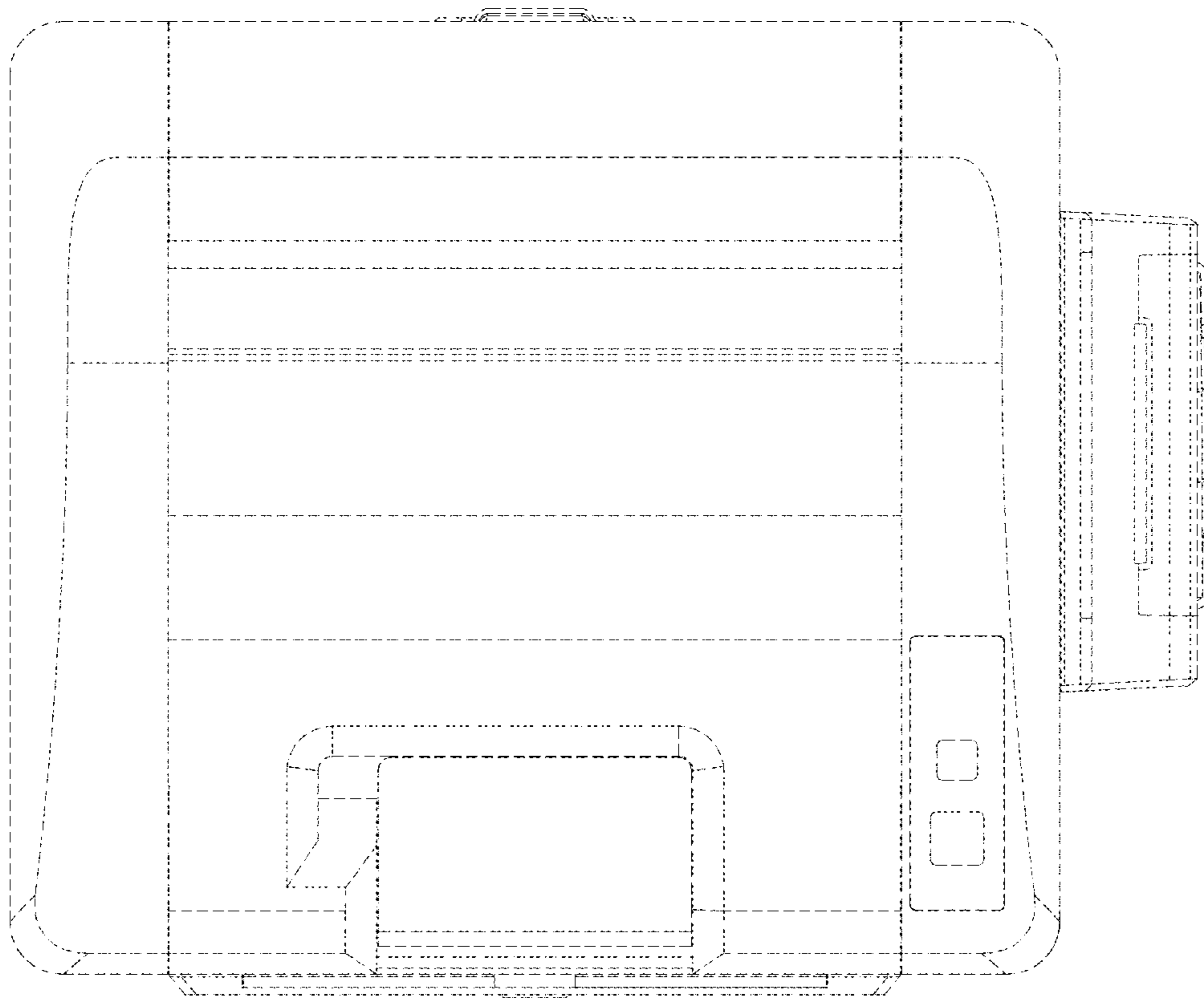


FIG. 34

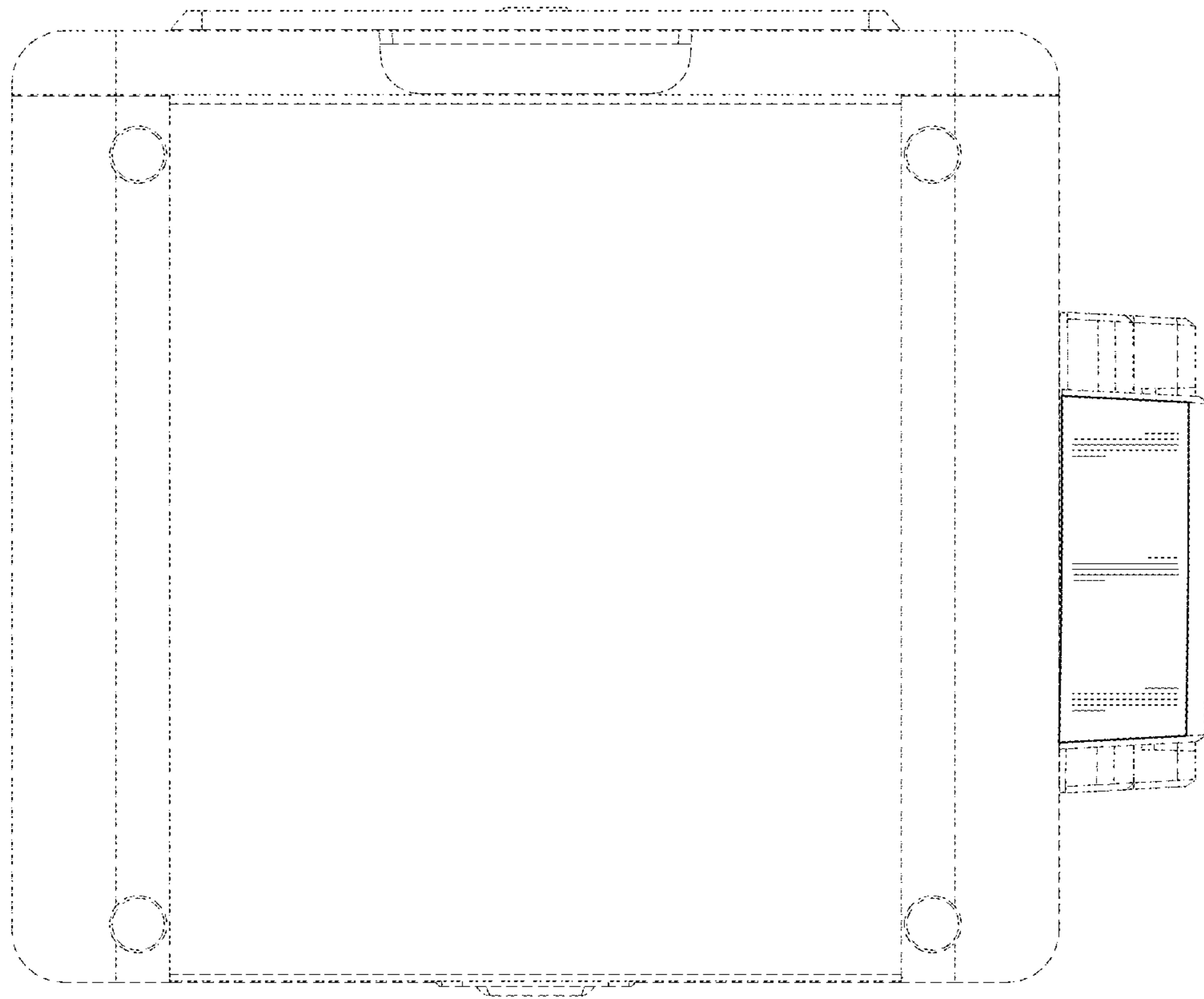


FIG. 35

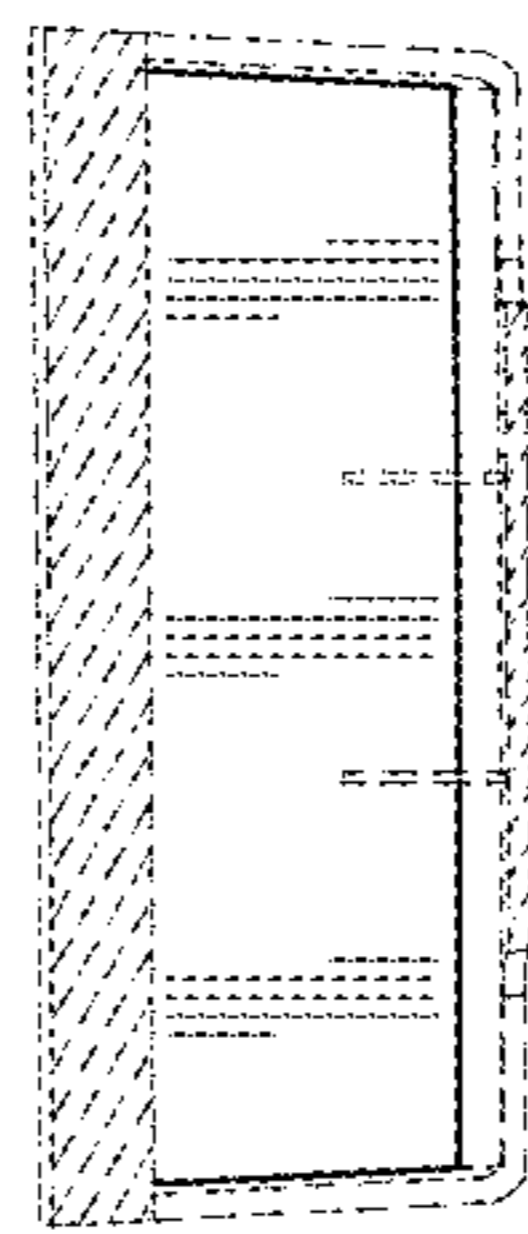


FIG. 36