



US00D808458S

(12) **United States Design Patent**
Kim et al.

(10) **Patent No.:** **US D808,458 S**
(45) **Date of Patent:** **** Jan. 23, 2018**

(54) **GIMBAL**
(71) Applicant: **SZ DJI Technology Co., Ltd.**,
Shenzhen, Guangdong (CN)
(72) Inventors: **Min Kim**, Shenzhen (CN); **Paul Pan**,
Shenzhen (CN); **Yan-Chong Zhao**,
Shenzhen (CN); **Hao Liu**, Shenzhen
(CN)
(73) Assignee: **SZ DJI Osmo Technology Co., Ltd.**,
Shenzhen (CN)

6,116,577 A 9/2000 McCanse
8,094,414 B1 1/2012 Cheng et al.
D676,213 S 2/2013 Dyrvall et al.
D732,103 S 6/2015 Roper et al.
9,196,274 B2 11/2015 Stephan et al.
D744,580 S 12/2015 Firchau et al.
D751,625 S * 3/2016 Vesper D16/242
D759,335 S 6/2016 Kim et al.
D785,073 S * 4/2017 Wang D16/242
D785,893 S * 5/2017 Kim D34/28
(Continued)

(**) Term: **15 Years**

CN 3593384 D 12/2006
CN 301721016 S 11/2011
CN 302176222 S 11/2012

(21) Appl. No.: **29/567,825**

(Continued)

(22) Filed: **Jun. 13, 2016**

Primary Examiner — Cynthia Ramirez
(74) *Attorney, Agent, or Firm* — Sterne, Kessler,
Goldstein & Fox P.L.L.C.

Related U.S. Application Data

(63) Continuation of application No. 29/513,070, filed on
Dec. 25, 2014, now Pat. No. Des. 759,335.

(30) **Foreign Application Priority Data**

Jun. 27, 2014 (CN) 2014 3 0207007

(51) **LOC (11) Cl.** **16-05**

(52) **U.S. Cl.**
USPC **D16/242**

(58) **Field of Classification Search**
USPC D34/28; D14/217, 238.1, 239, 254;
D16/237, 239, 242, 244, 245, 250;
248/121, 176.1, 177.1
CPC G03B 17/561; F16M 13/04; F16M 13/00;
G02B 27/646

See application file for complete search history.

(56) **References Cited**

U.S. PATENT DOCUMENTS

D348,134 S 6/1994 McCanse et al.
5,632,475 A 5/1997 McCanse

FOREIGN PATENT DOCUMENTS

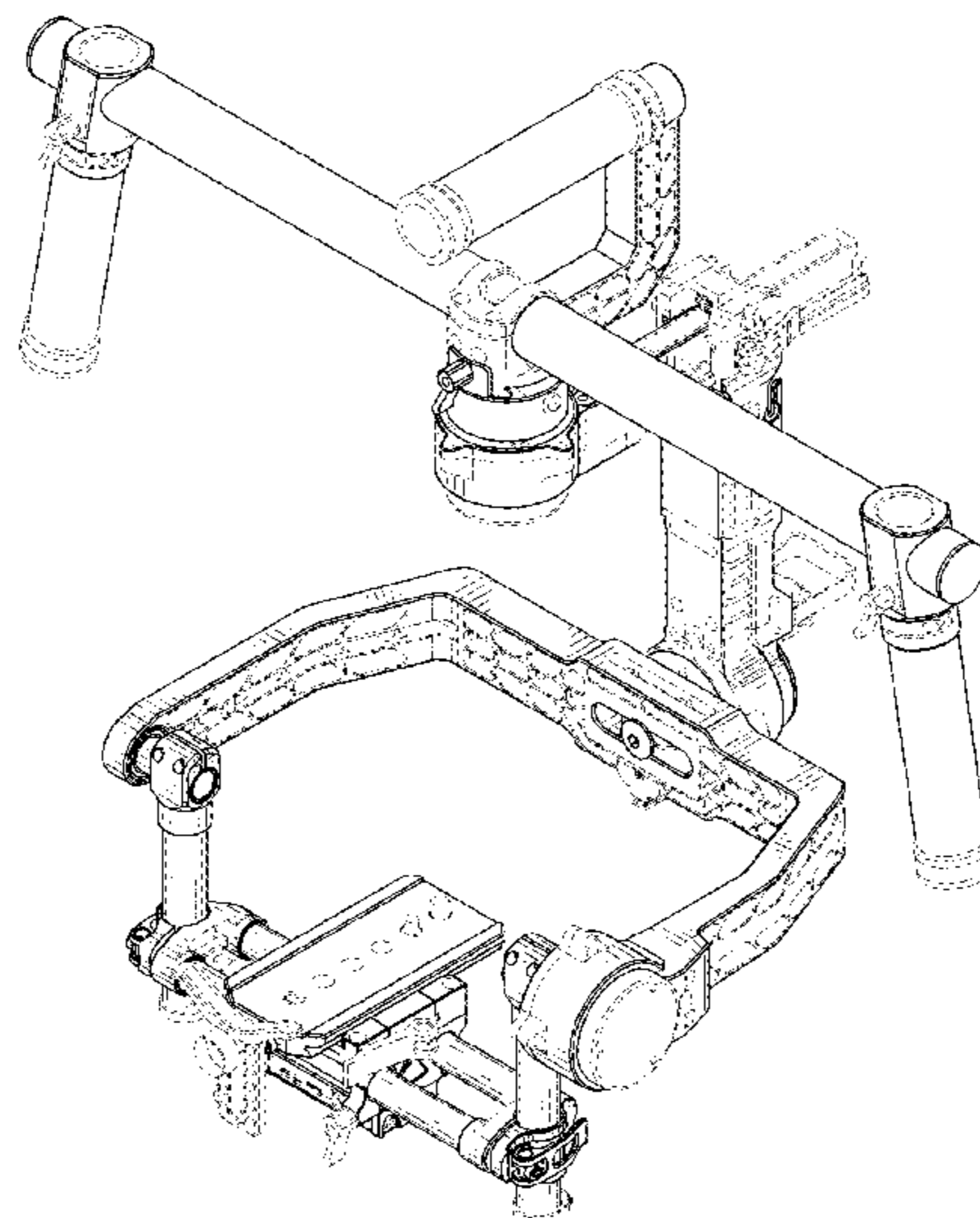
(57) **CLAIM**

The ornamental design for a gimbal, as shown and
described.

DESCRIPTION

FIG. 1 is a top front perspective view of a gimbal showing
the claimed design;
FIG. 2 is a front view thereof;
FIG. 3 is a rear view thereof;
FIG. 4 is a left side view thereof;
FIG. 5 is a right side view thereof;
FIG. 6 is a top view thereof;
FIG. 7 is a bottom view thereof; and,
FIG. 8 is a perspective view thereof showing the gimbal in
an environment in which it may be used.
The broken lines in the figures show portions of the gimbal
that form no part of the claimed design.

1 Claim, 8 Drawing Sheets



(56)

References Cited

U.S. PATENT DOCUMENTS

D794,109 S * 8/2017 Zheng D16/242
2014/0270744 A1* 9/2014 Webb H04N 5/2328
396/55

FOREIGN PATENT DOCUMENTS

CN	302255231 S	12/2012
CN	302551853 S	8/2013
CN	302589143 S	9/2013
CN	302599561 S	10/2013
CN	302661790 S	11/2013
CN	302773006 S	3/2014
KR	30-0611269	9/2011

* cited by examiner

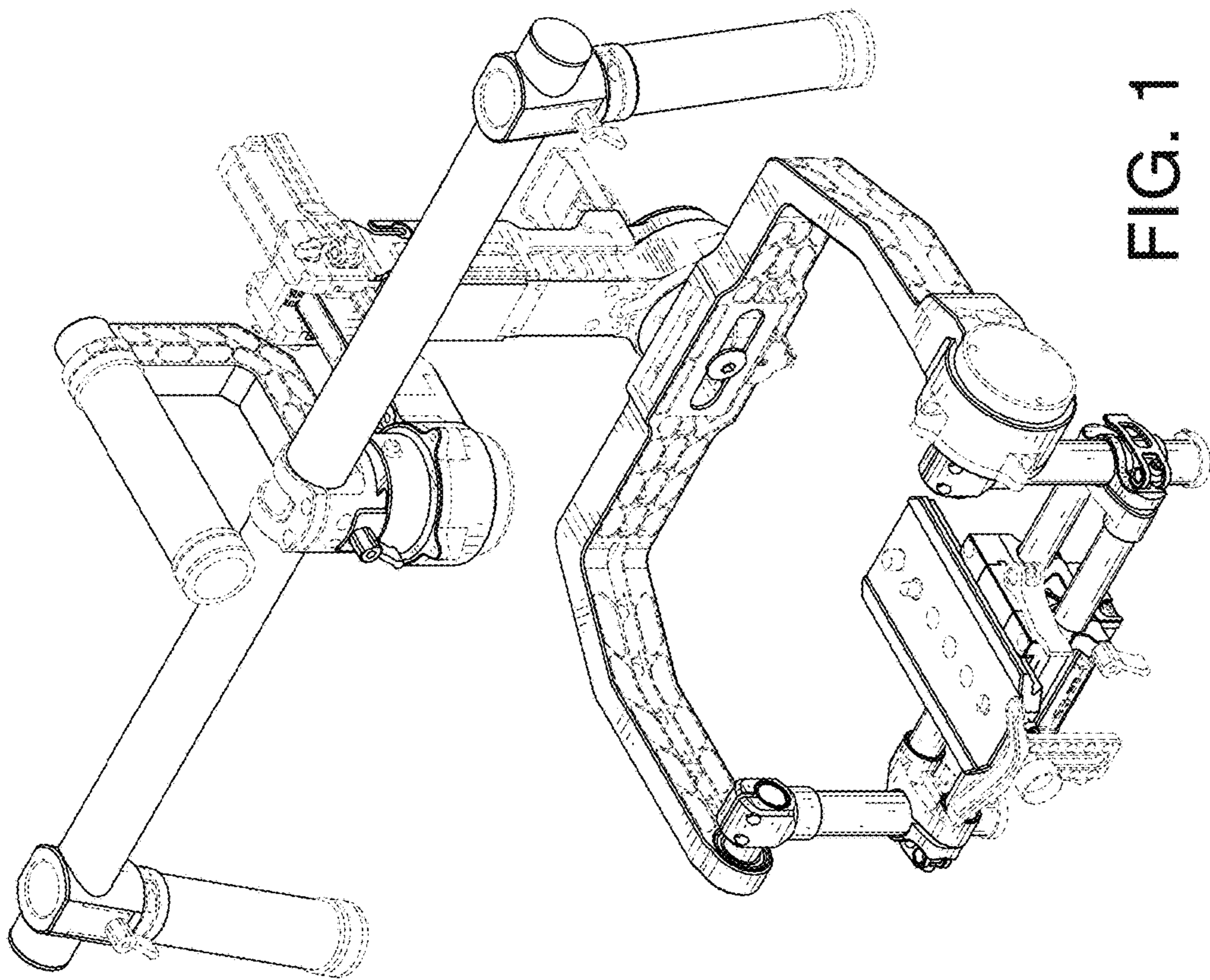


FIG. 1

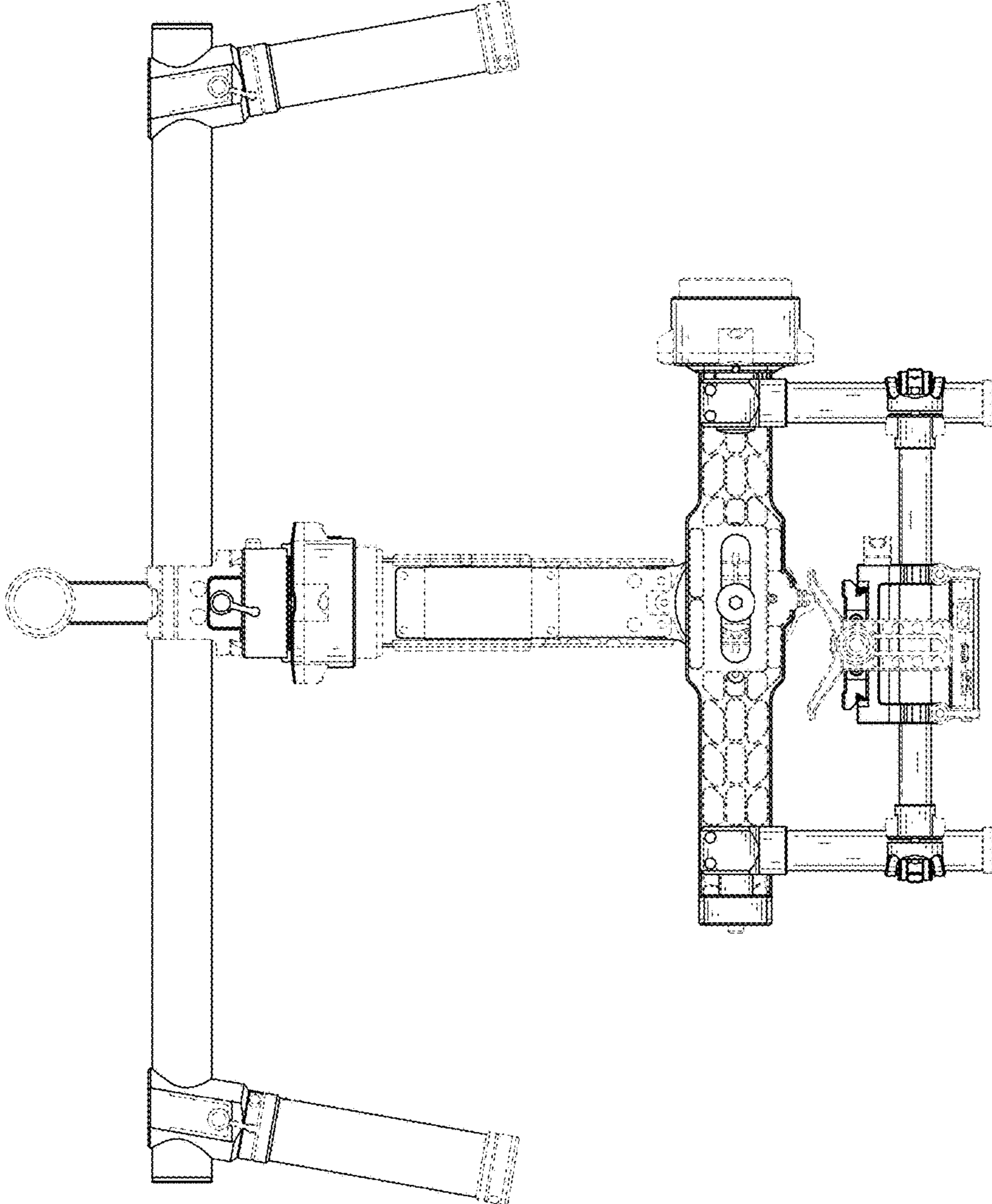


FIG. 2

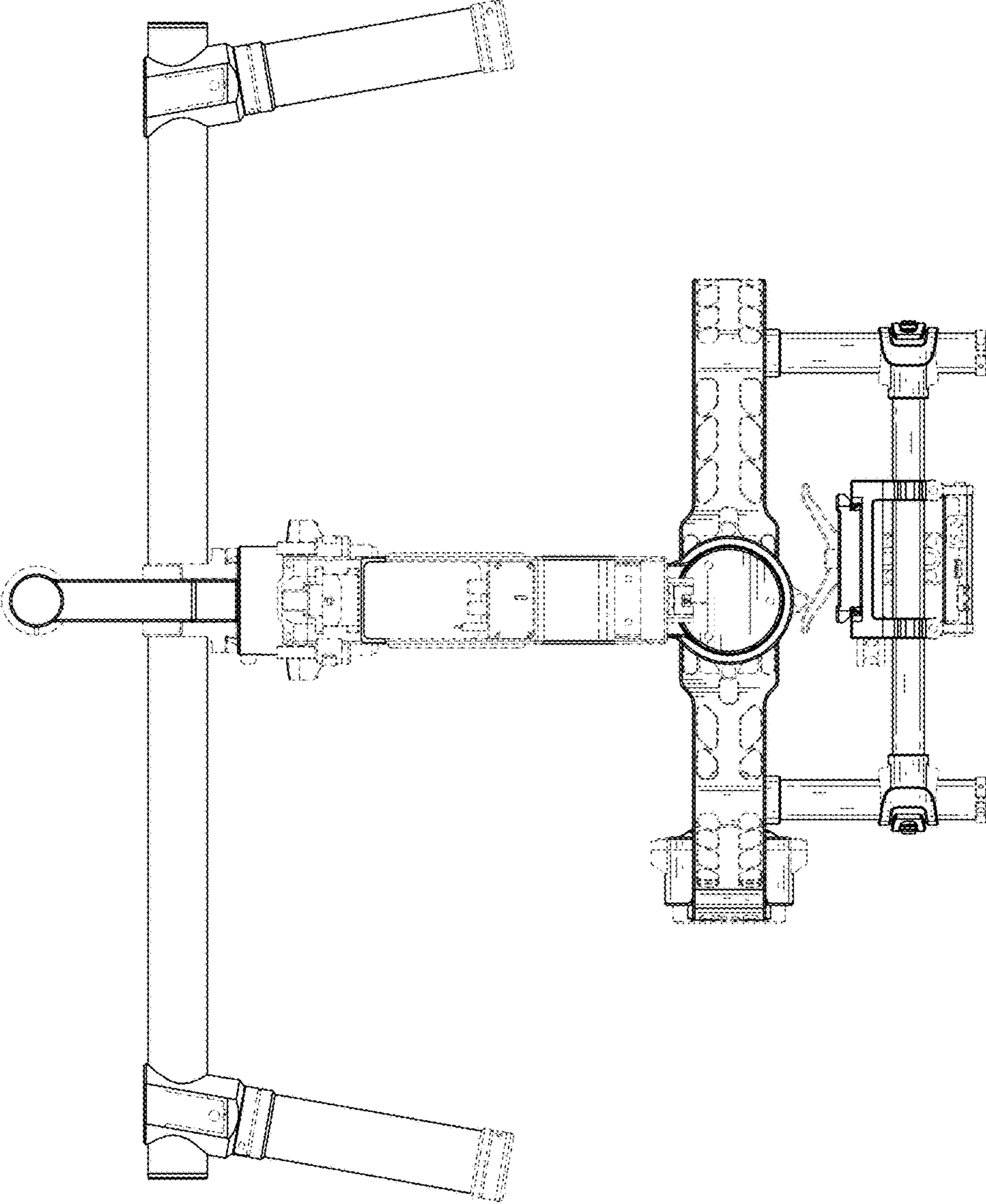


FIG. 3

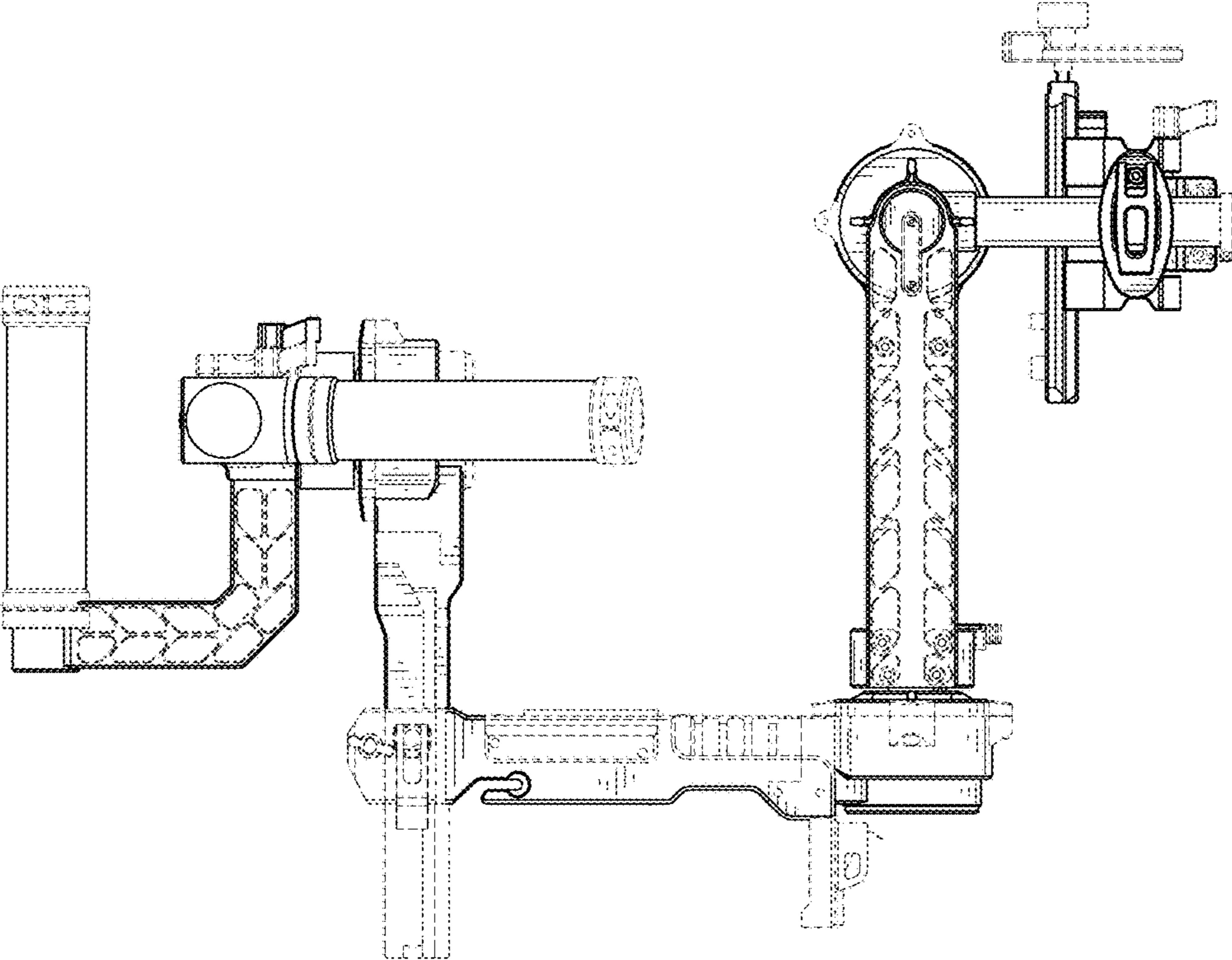


FIG. 4

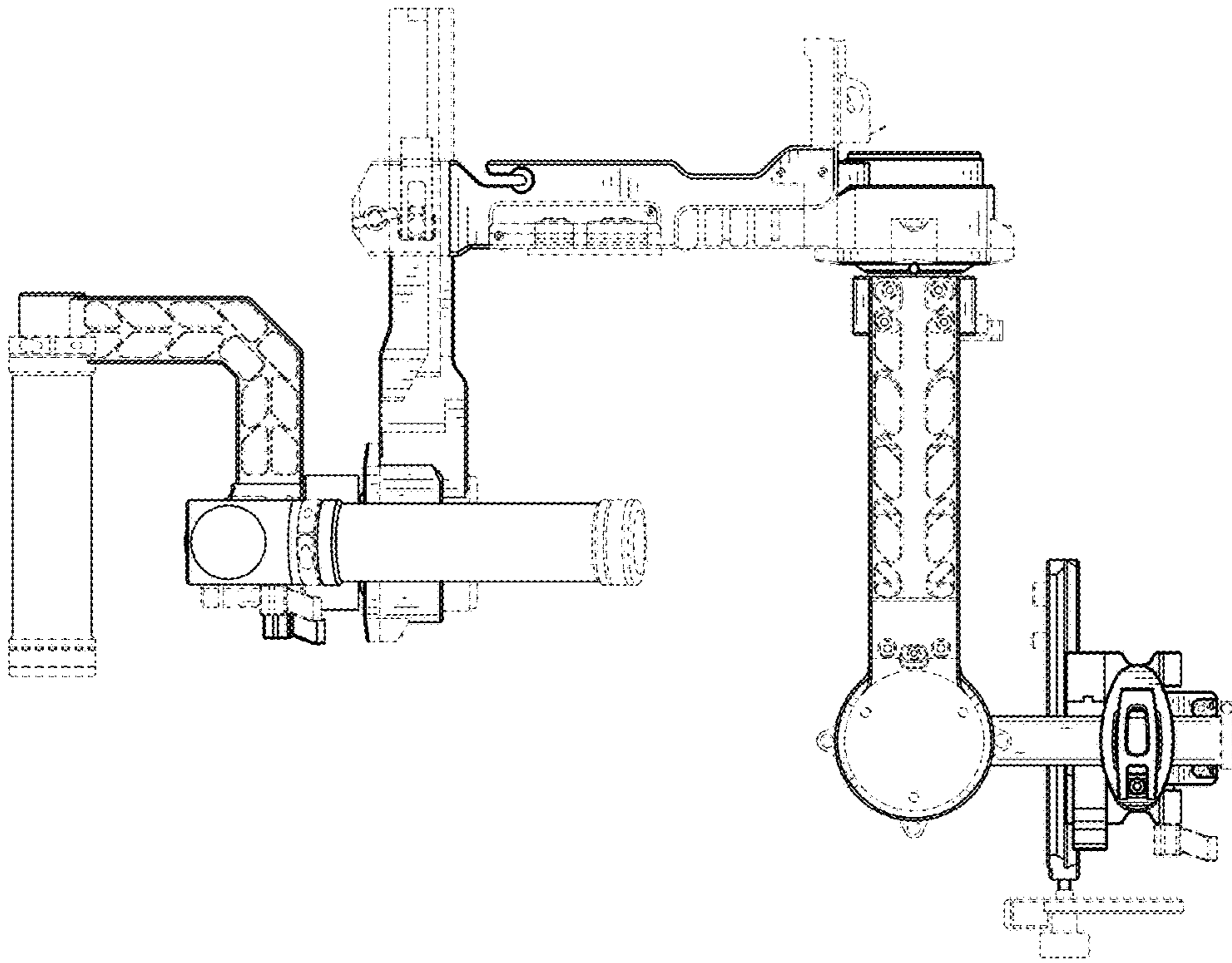


FIG. 5

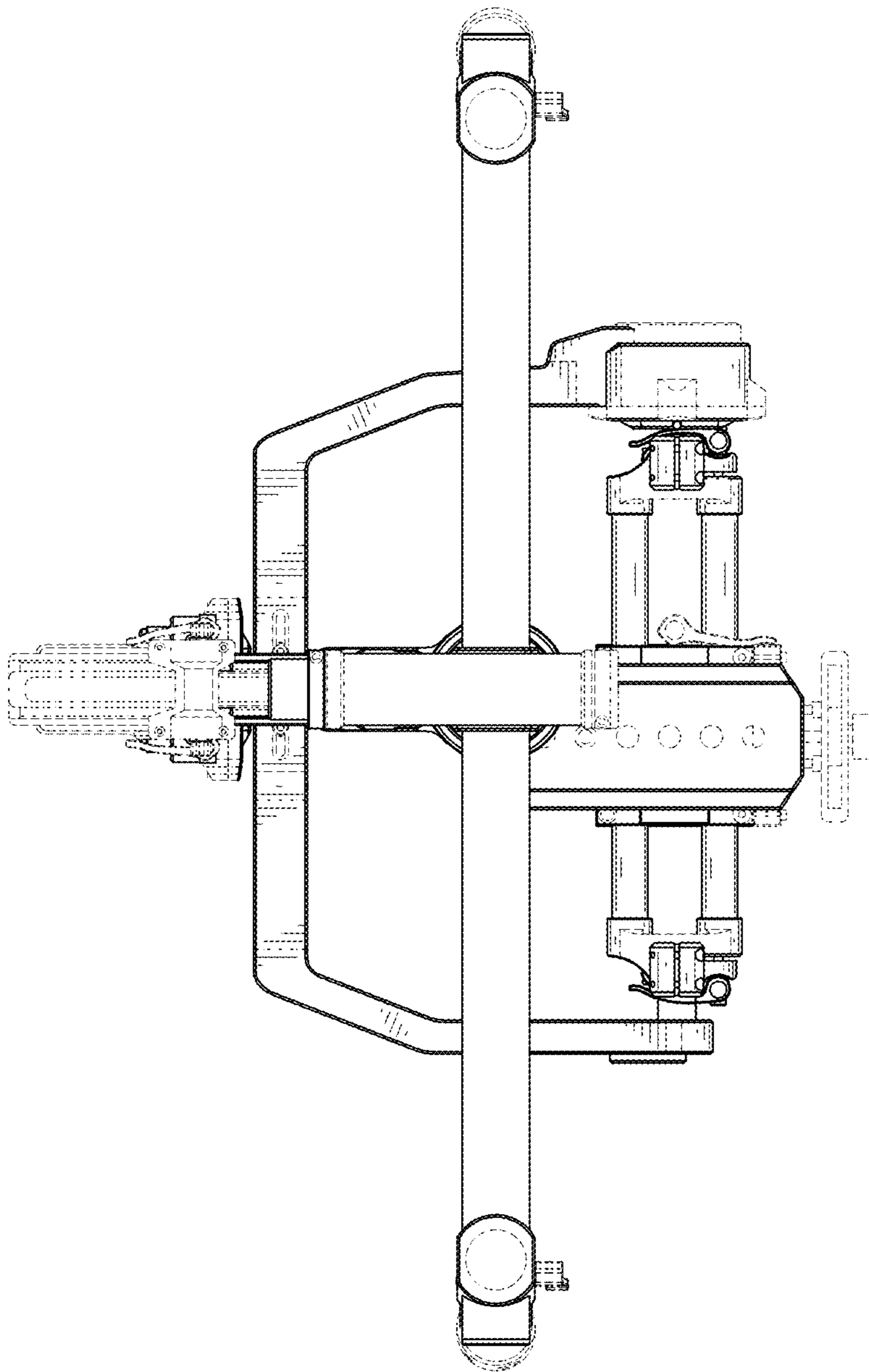


FIG. 6

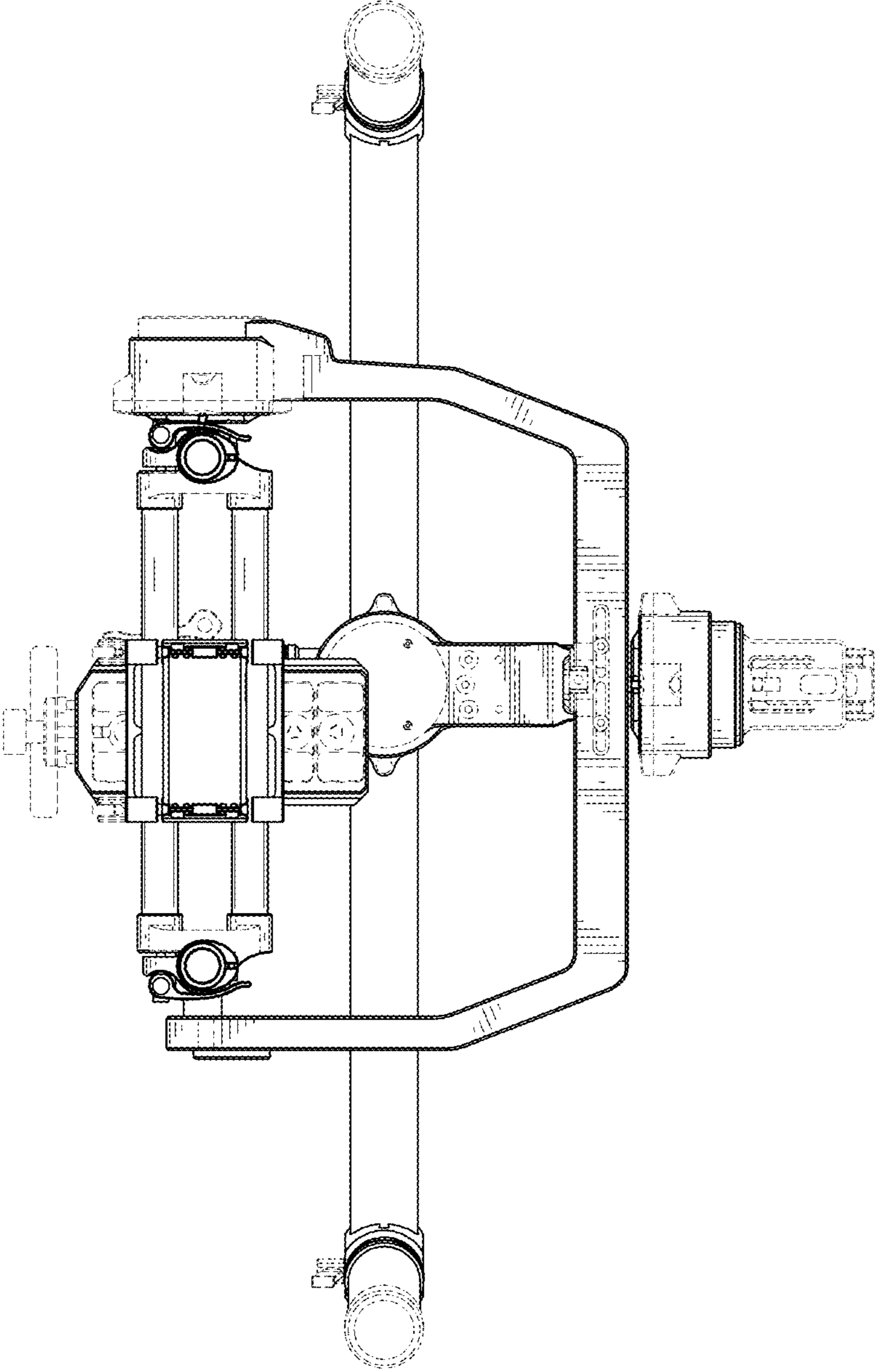


FIG. 7

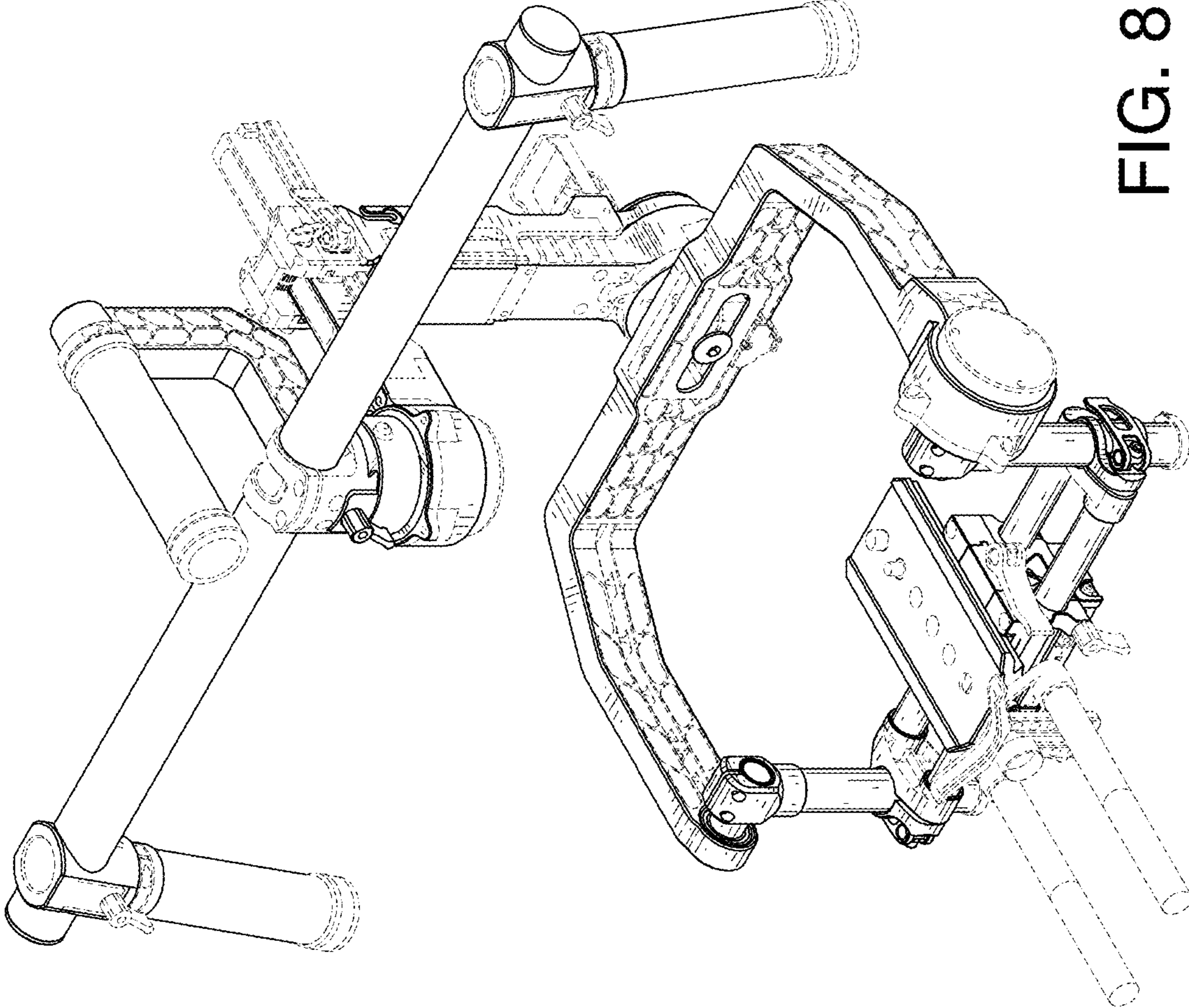


FIG. 8