



US00D808455S

(12) **United States Design Patent** (10) **Patent No.:** **US D808,455 S**  
**Lee** (45) **Date of Patent:** **\*\* Jan. 23, 2018**

(54) **VIDEO RECORDER FOR A CAR**  
(71) Applicant: **THINKWARE CORPORATION**,  
Seongnam-si, Gyeonggi-do (KR)  
(72) Inventor: **Hyun Ju Lee**, Seongnam-si (KR)  
(73) Assignee: **THINKWARE CORPORATION**,  
Seongnam-si, Gyeonggi-do  
(\*\*) Term: **15 Years**  
(21) Appl. No.: **29/564,016**  
(22) Filed: **May 10, 2016**

(30) **Foreign Application Priority Data**

Dec. 9, 2015 (KR) ..... 30-2015-0062850

(51) **LOC (11) Cl.** ..... **16-01**  
(52) **U.S. Cl.**  
USPC ..... **D16/202**

(58) **Field of Classification Search**  
USPC ... D12/114, 123, 124, 127, 188, 400, 426.1;  
D16/200-208, 211, 216-219, 221, 230,  
D16/237  
CPC .. G03B 17/08; G03B 17/568; G03B 2217/00;  
H04N 5/2252; H04N 5/225  
See application file for complete search history.

(56) **References Cited**

**U.S. PATENT DOCUMENTS**

D359,974 S \* 7/1995 van de Loo ..... D16/202  
D387,078 S \* 12/1997 Akita ..... D16/200  
D389,501 S \* 1/1998 Mascarenas, Sr. .... D16/200  
D526,674 S \* 8/2006 Byun ..... D16/202  
D537,094 S \* 2/2007 Lee ..... D16/200  
D540,356 S \* 4/2007 Ina ..... D16/202  
D546,359 S \* 7/2007 Clark ..... D16/200  
D547,352 S \* 7/2007 Tako ..... D16/221  
D552,142 S \* 10/2007 Chung ..... D16/202

D552,648 S \* 10/2007 Chung ..... D16/202  
D556,801 S \* 12/2007 Kim ..... D16/202  
D557,726 S \* 12/2007 Sumii ..... D16/225  
D561,222 S \* 2/2008 Yoo ..... D16/202  
D561,231 S \* 2/2008 Chu ..... D16/225  
D571,844 S \* 6/2008 Lee ..... D16/202  
D616,010 S \* 5/2010 Song ..... D16/225  
D628,221 S \* 11/2010 Chen ..... D16/202  
7,893,958 B1 \* 2/2011 D'Agostino ..... B60R 11/04  
348/148  
D648,362 S \* 11/2011 Byun ..... D16/204  
D654,108 S \* 2/2012 Sims ..... D16/200  
D660,900 S \* 5/2012 Wang ..... D16/230  
D663,348 S \* 7/2012 Nakayama ..... D16/225  
D672,382 S \* 12/2012 Zeinoun ..... D16/203  
D684,618 S \* 6/2013 Park ..... D16/203

\* cited by examiner

*Primary Examiner* — Susan E. Krakower  
*Assistant Examiner* — L. A. Grabenstetter  
(74) *Attorney, Agent, or Firm* — Rabin & Berdo, P.C.

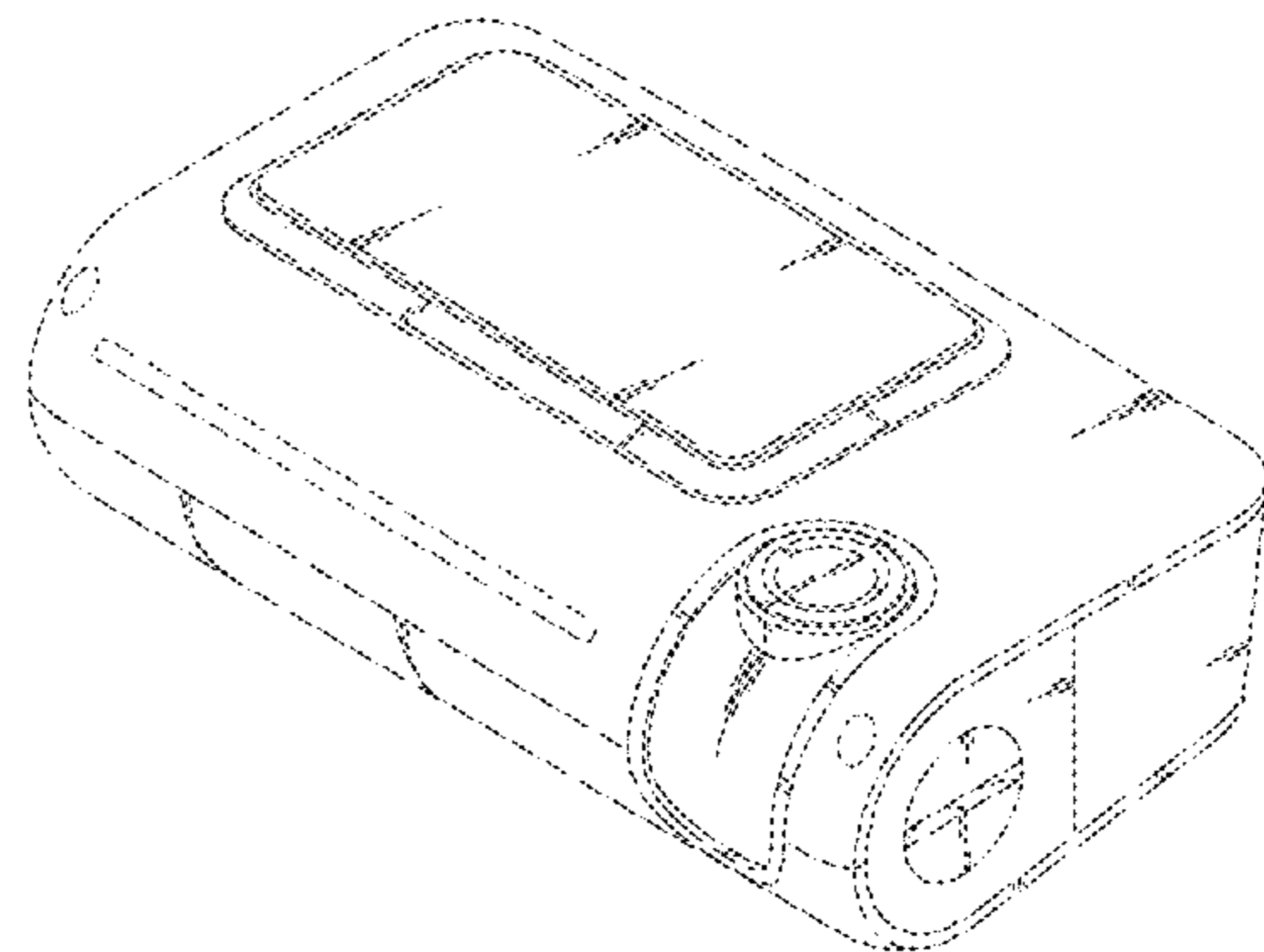
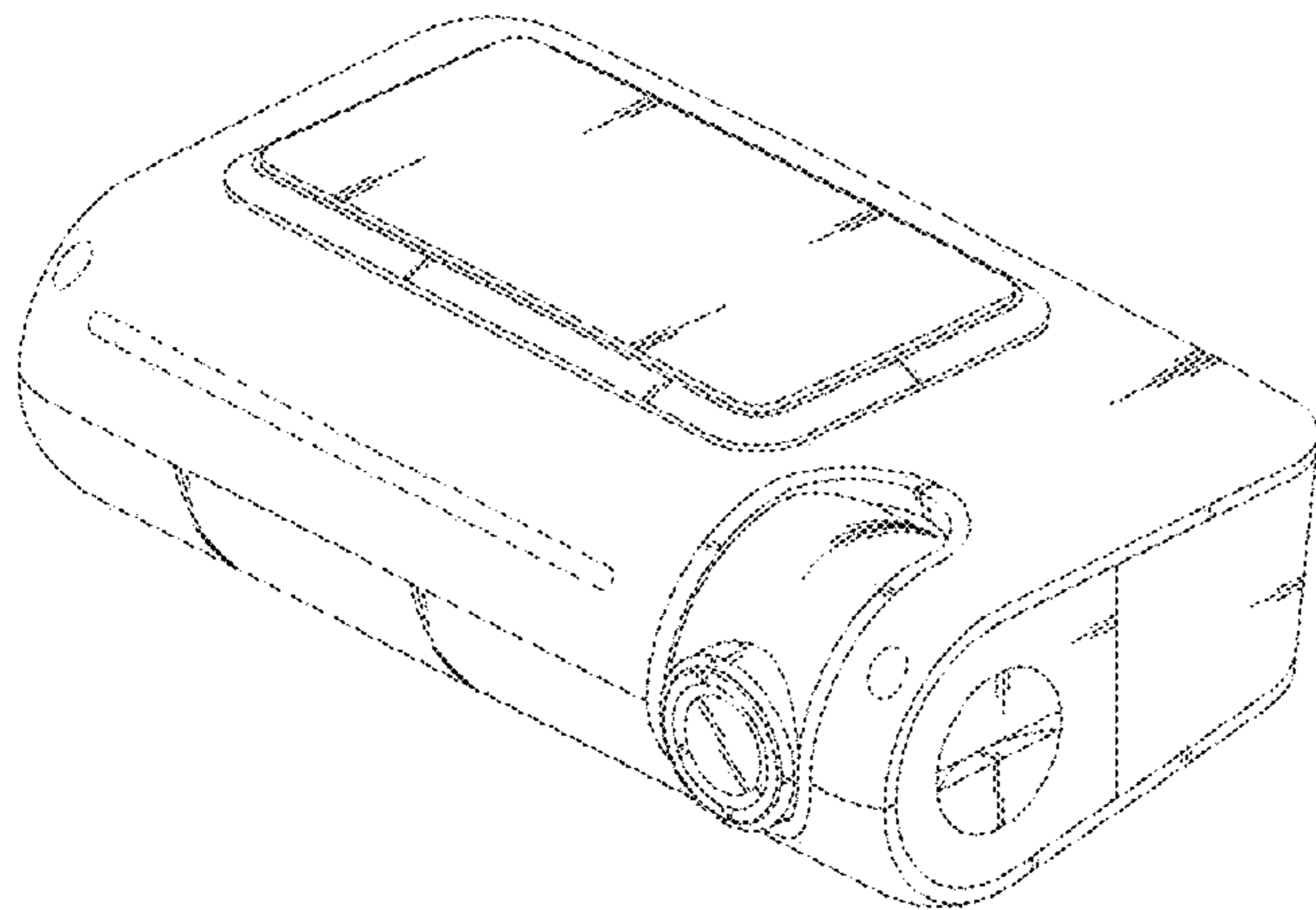
(57) **CLAIM**

The ornamental design for a video recorder for a car, as shown and described.

**DESCRIPTION**

FIG. 1 is a perspective view of a video recorder for a car showing my new design;  
FIG. 2 is a front elevational view thereof;  
FIG. 3 is a rear elevational view thereof;  
FIG. 4 is a left side elevational view thereof;  
FIG. 5 is a right side elevational view thereof;  
FIG. 6 is a top view thereof;  
FIG. 7 is a bottom view thereof; and,  
FIG. 8 is a second perspective view thereof, with the lens position rotated to an alternate position.  
The broken lines in the drawings depict unclaimed portions of the video recorder for a car.

**1 Claim, 5 Drawing Sheets**



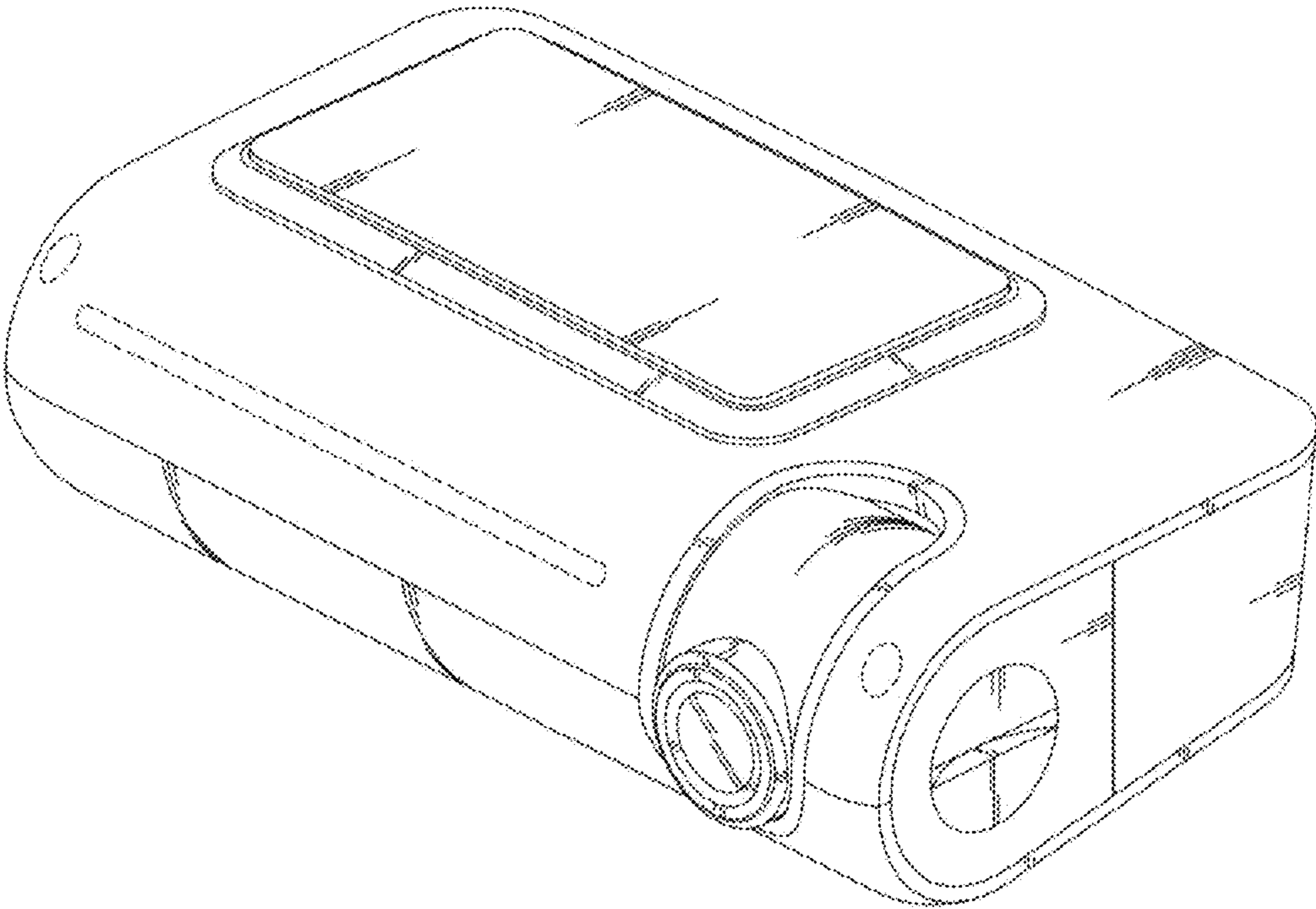


FIG. 1

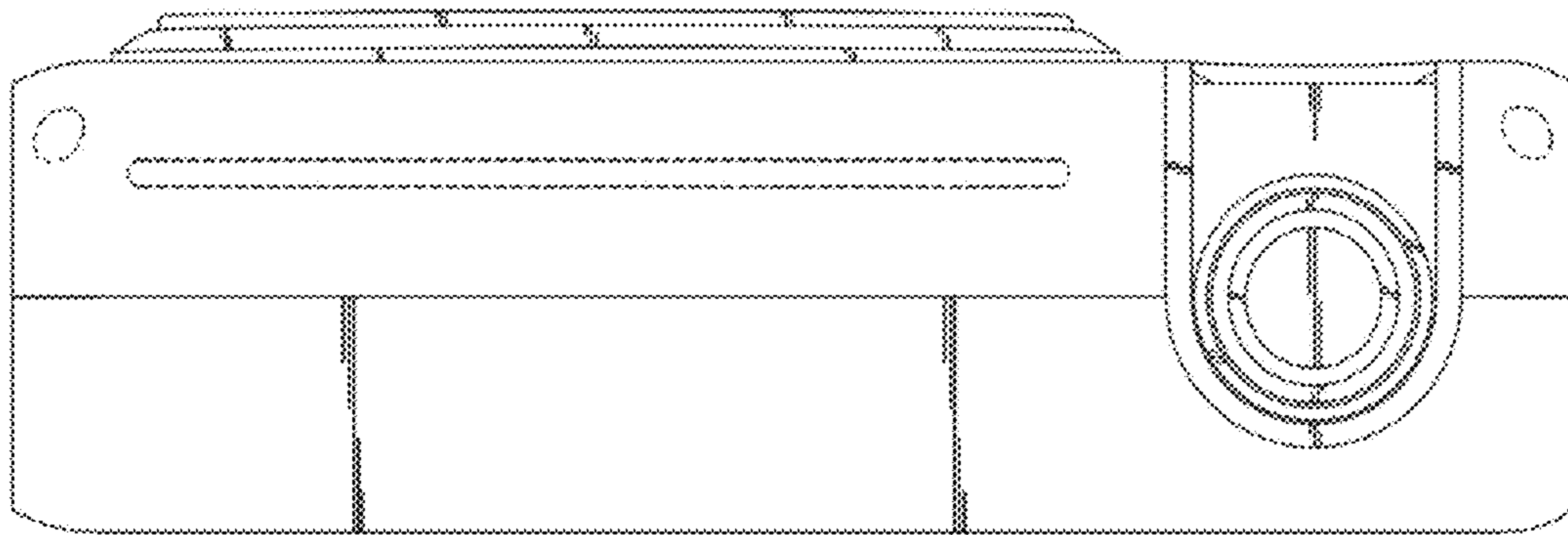


FIG. 2

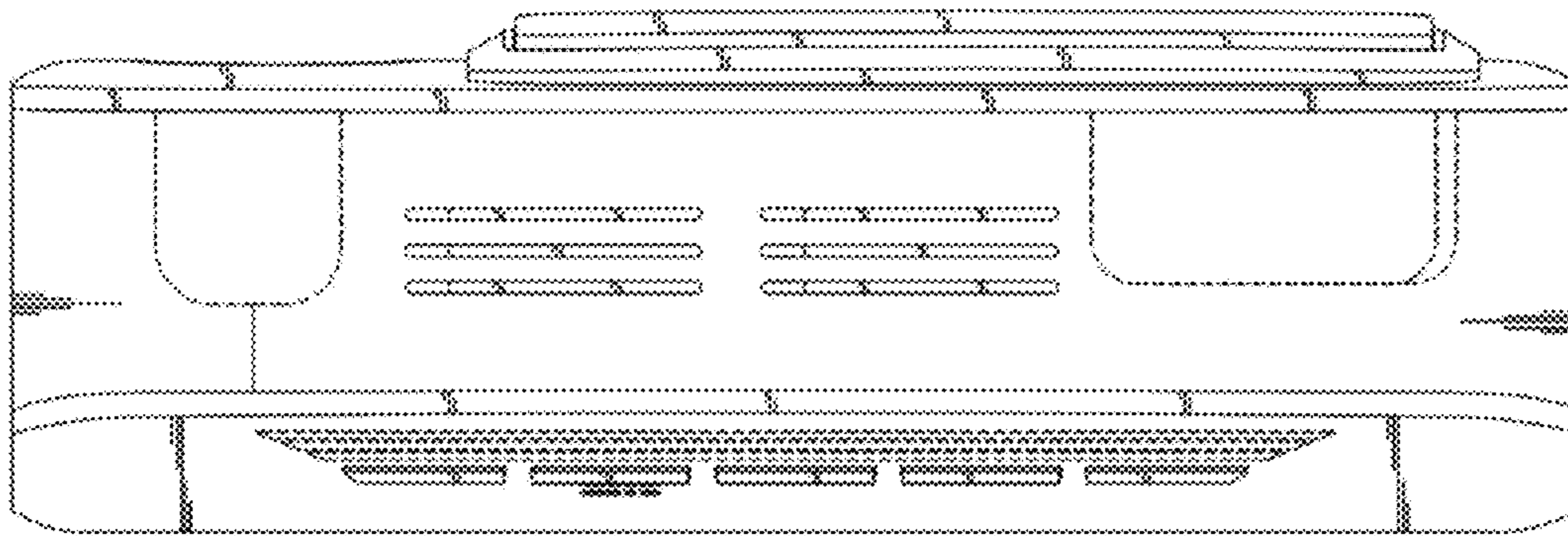


FIG. 3

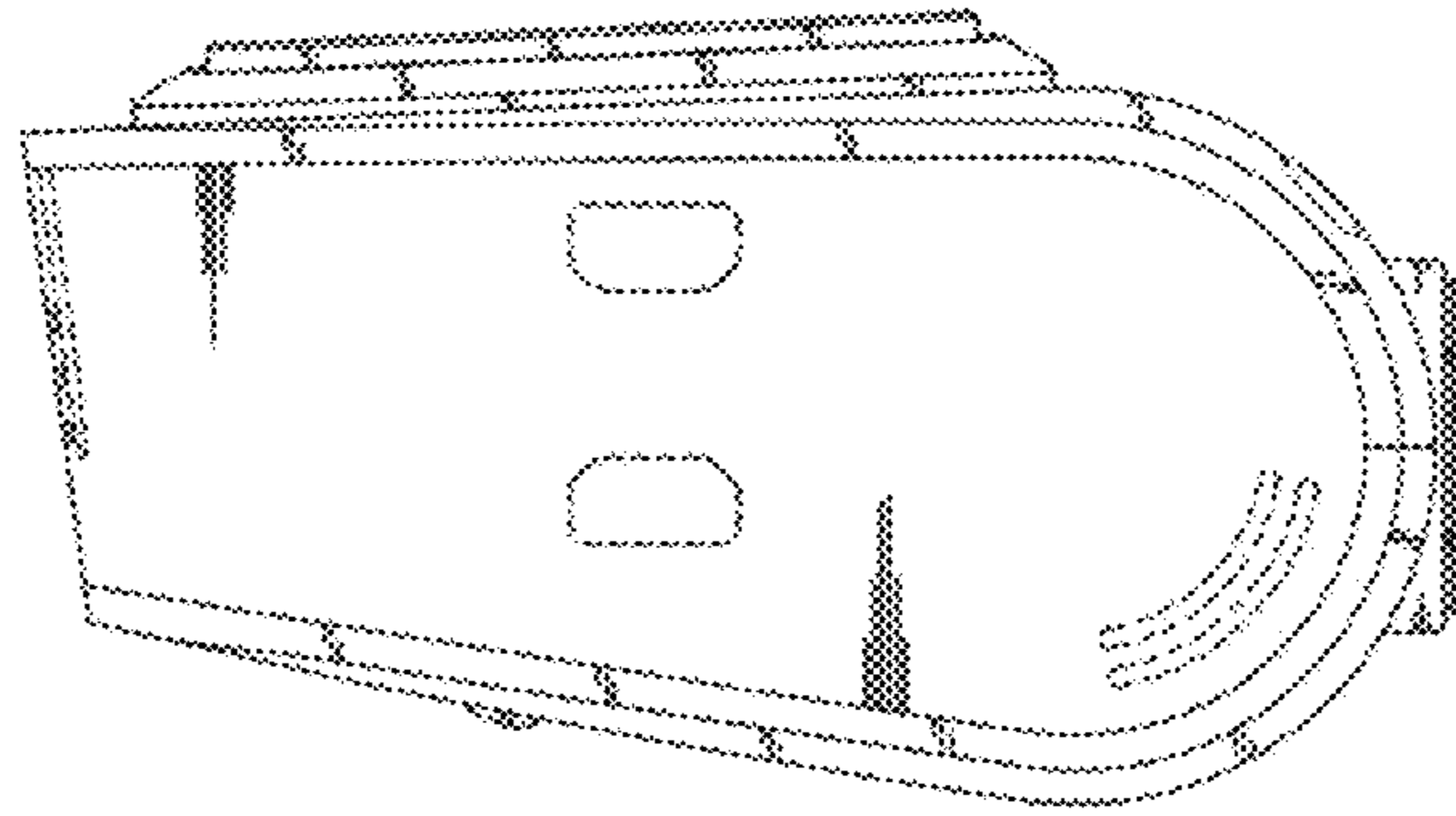


FIG. 4

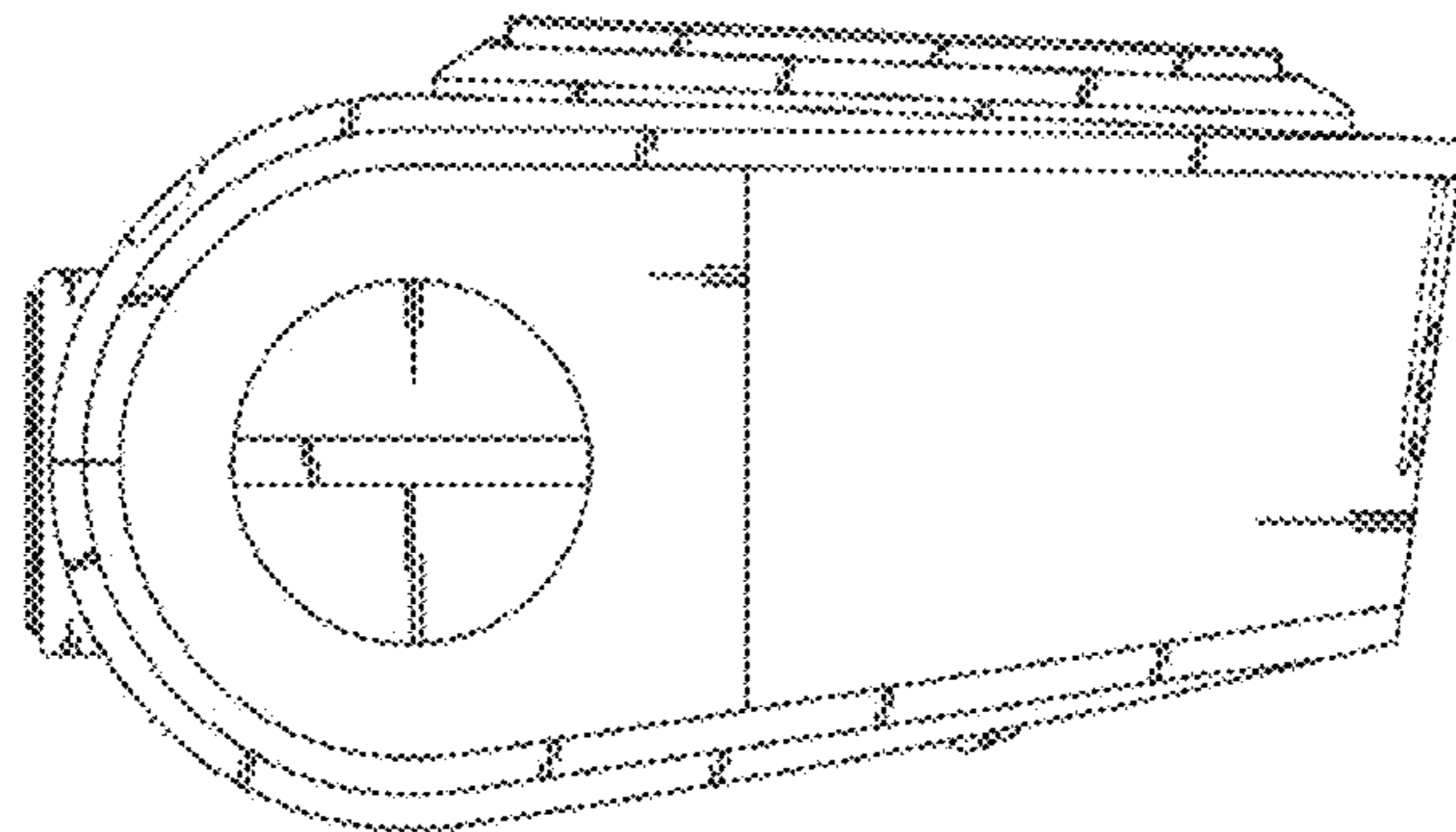


FIG. 5



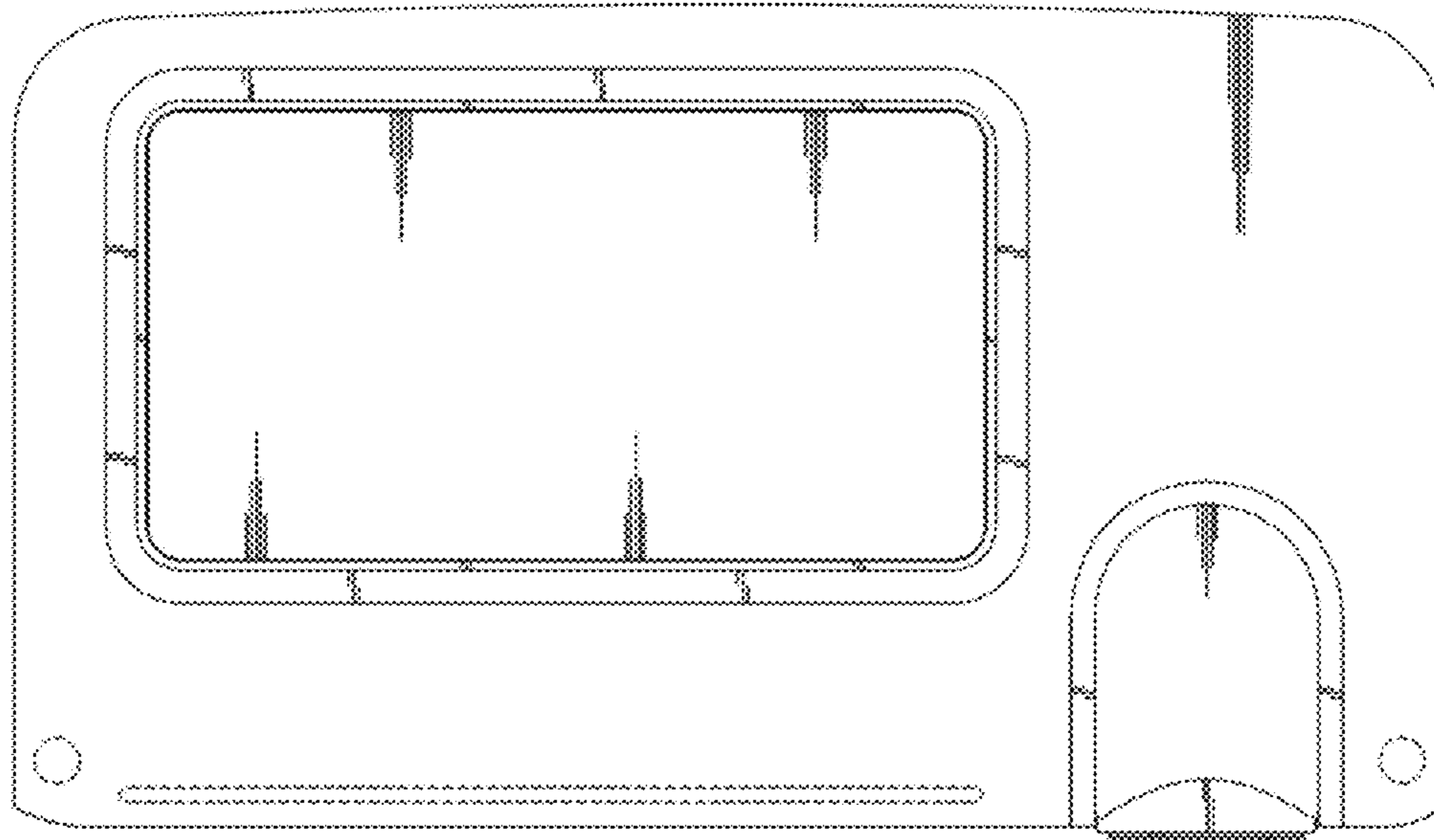


FIG. 6

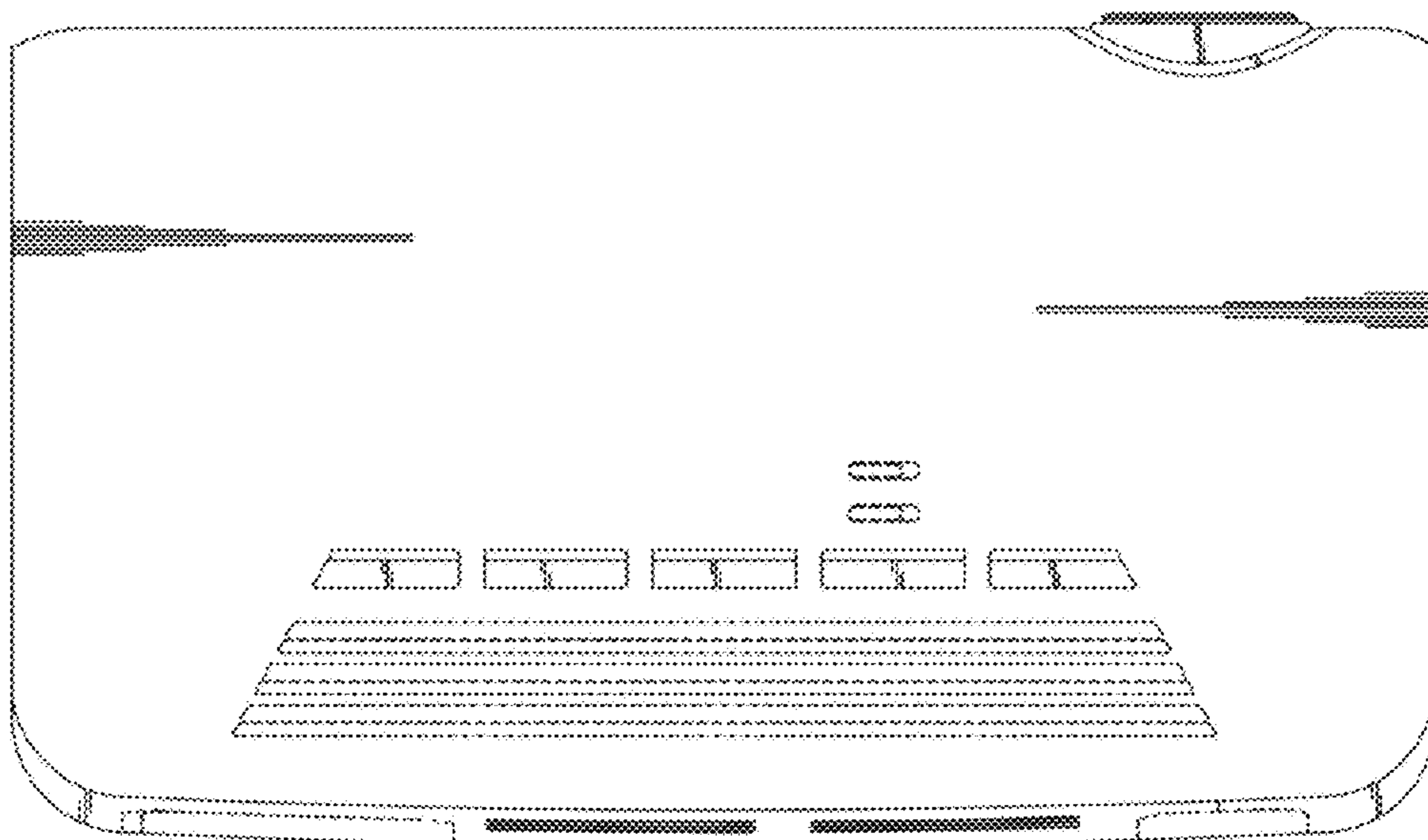


FIG. 7

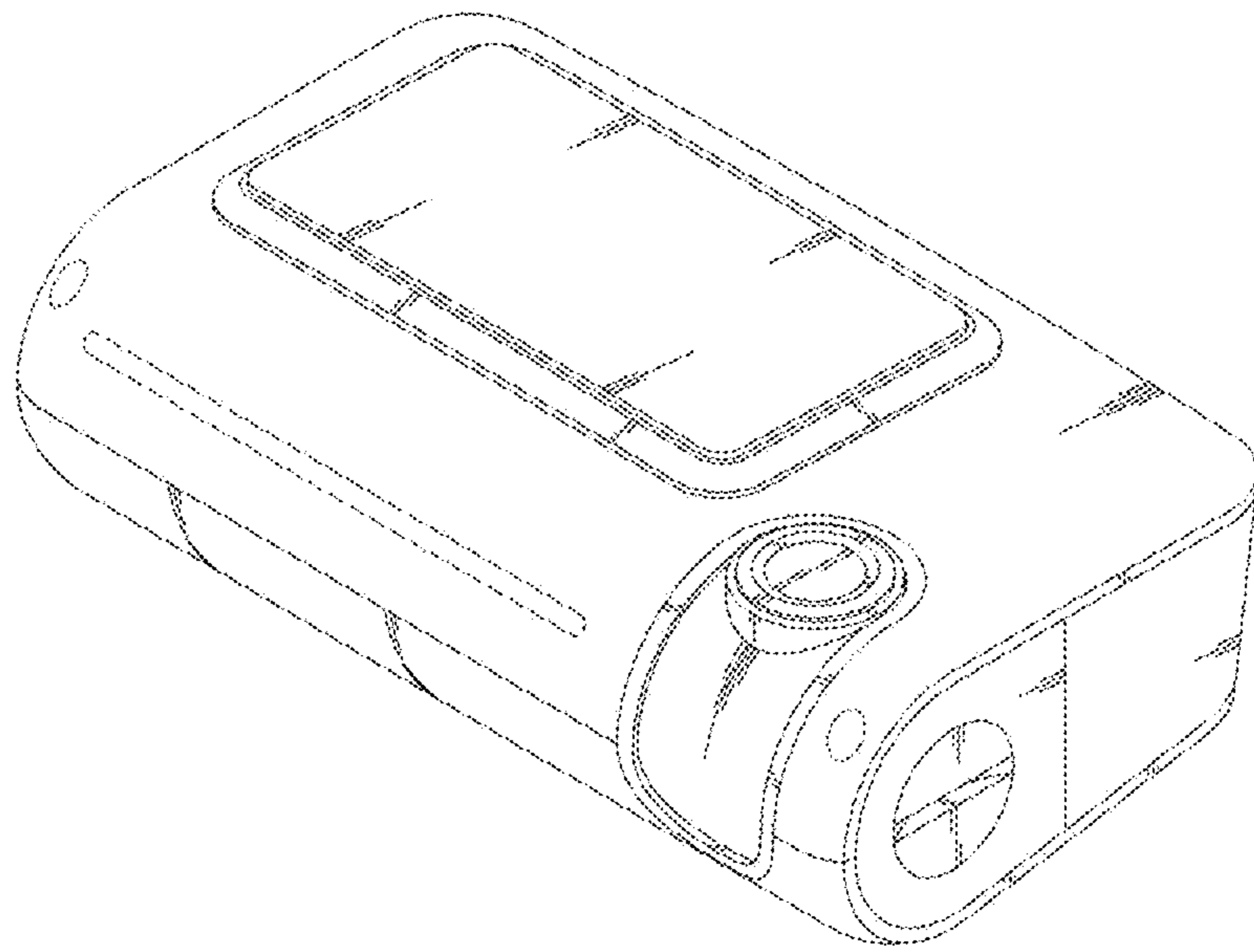


FIG. 8