



US00D808454S

(12) **United States Design Patent**  
**Seflic et al.**

(10) **Patent No.:** **US D808,454 S**  
(45) **Date of Patent:** **\*\* Jan. 23, 2018**

(54) **INTERACTIVE CAMERA DEVICE**

(71) Applicant: **Amazon Technologies, Inc.**, Seattle, WA (US)

(72) Inventors: **Matthew Michael Seflic**, San Jose, CA (US); **Marc Rene Walliser**, San Francisco, CA (US); **Christopher Green**, San Francisco, CA (US)

(73) Assignee: **Amazon Technologies, Inc.**, Seattle, WA (US)

(\*\*) Term: **15 Years**

(21) Appl. No.: **29/569,667**

(22) Filed: **Jun. 29, 2016**

(51) **LOC (11) Cl.** ..... **16-01**

(52) **U.S. Cl.**  
USPC ..... **D16/200**

(58) **Field of Classification Search**  
USPC ..... D12/308; D14/124, 125, 126, 129, 133, D14/314, 317, 336, 348-351, 356, 420; D16/200, 201, 202, 203, 205-221, 225, D16/232, 235

CPC ..... G03B 15/03; G03B 17/04; G03B 17/56; G03B 19/04; H04N 5/2251; H04N 5/2254  
See application file for complete search history.

(56) **References Cited**

**U.S. PATENT DOCUMENTS**

D316,421 S *	4/1991	Shinano	.....	D16/202
D571,305 S *	6/2008	Thursfield	.....	D13/168
D595,670 S *	7/2009	Glassman	.....	D13/168
D612,882 S *	3/2010	Kim	.....	D16/202
D613,272 S *	4/2010	Painter	.....	D14/218
D627,815 S *	11/2010	Oba	.....	D16/202
D628,192 S *	11/2010	Hsu	.....	D14/218
D633,478 S *	3/2011	Bolton	.....	D14/218
D692,416 S *	10/2013	Tu	.....	D14/218

D711,355 S *	8/2014	Jin	.....	D14/218
D721,114 S *	1/2015	Nuk	.....	D16/202
D721,119 S *	1/2015	Nuk	.....	D16/202
D733,781 S *	7/2015	Chen	.....	D16/202

(Continued)

**OTHER PUBLICATIONS**

Echo Look camera by Amazon, posted at Observer.com, posting date Apr. 26, 2017, [online], [site visited Jun. 13, 2017]. Available from Internet, URL: <http://observer.com/2017/04/amazon-echo-look-fashion-technology/>.\*

(Continued)

*Primary Examiner* — Susan E Krakower

*Assistant Examiner* — L. A. Grabenstetter

(74) *Attorney, Agent, or Firm* — Lee & Hayes, PLLC

(57) **CLAIM**

The ornamental design for an interactive camera device, as shown and described.

**DESCRIPTION**

FIG. 1 is a first perspective view of an interactive camera device, taken from the front;

FIG. 2 is a second perspective view of the interactive camera device, taken from the back;

FIG. 3 is a front view of the interactive camera device as shown in FIG. 1;

FIG. 4 is a back view of the interactive camera device as shown in FIG. 1;

FIG. 5 is a left-side view of the interactive camera device as shown in FIG. 1;

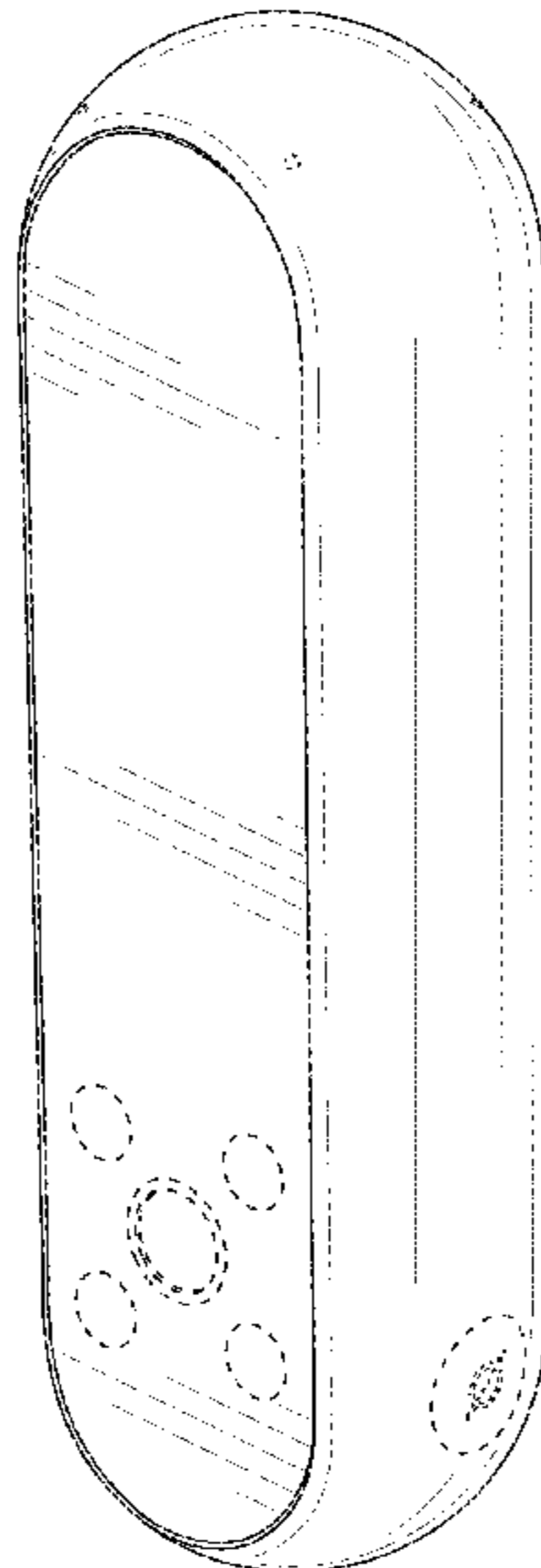
FIG. 6 is a right-side view of the interactive camera device as shown in FIG. 1;

FIG. 7 is a top view of the interactive camera device as shown in FIG. 1; and,

FIG. 8 is a bottom view of the interactive camera device as shown in FIG. 1.

The broken lines represent features of the interactive camera device which form no part of the claimed design.

**1 Claim, 7 Drawing Sheets**



(56)

**References Cited**

U.S. PATENT DOCUMENTS

D743,381 S \* 11/2015 Pi ..... D14/218  
D750,681 S \* 3/2016 Takami ..... D16/202  
D767,568 S \* 9/2016 McWilliam ..... D14/358  
D776,640 S \* 1/2017 Simonian ..... D14/218

OTHER PUBLICATIONS

Indian Office Action dated Feb. 7, 2017 for Indian design application No. 289685, a counterpart foreign application of Design U.S. Appl. No. 29/569,667, 2 page.

Indian Office Action dated Feb. 7, 2017 for Indian design application No. 289686, a counterpart foreign application of Design U.S. Appl. No. 29/569,667, 2 page.

Translated Japanese Office Action dated Mar. 3, 2017 for Japanese design application No. 2016-027412, a counterpart foreign application of Design U.S. Appl. No. 29/569,667, 4 pages.

Translated Japanese Office Action dated Mar. 3, 2017 for Japanese design application No. 2016-027413, a counterpart foreign application of Design U.S. Appl. No. 29/569,667, 4 pages.

Korean Office Action dated May 24, 2017 for Korean Design Application No. 30-2016-62919 M001, a counterpart foreign application of Design U.S. Appl. No. 29/569,667, 3 pages.

Korean Office Action dated May 24, 2017 for Korean Design Application No. 30-2016-62919 M002, a counterpart foreign application of Design U.S. Appl. No. 29/569,667, 3 pages.

\* cited by examiner

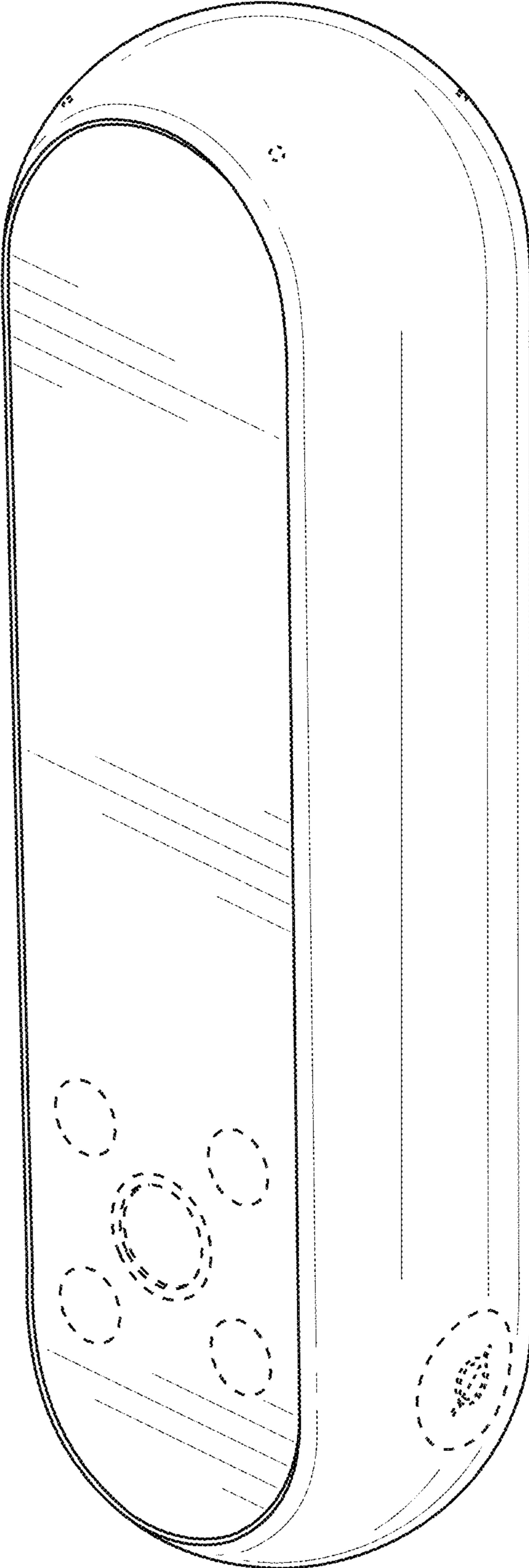


FIG. 1

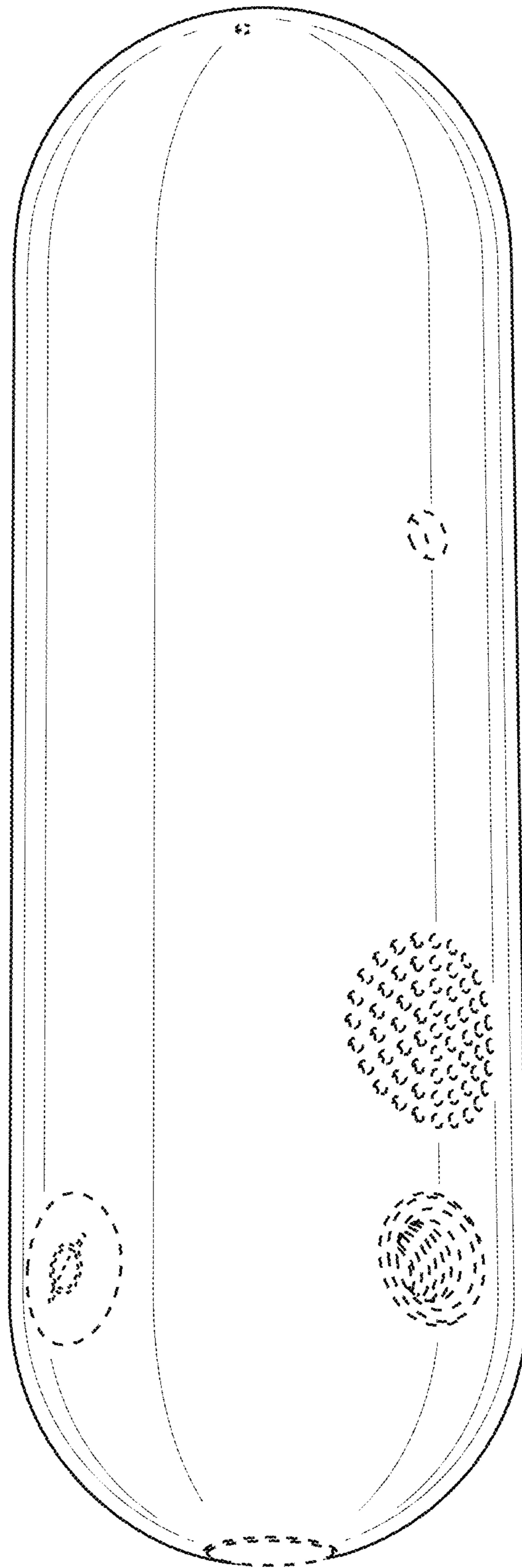


FIG. 2

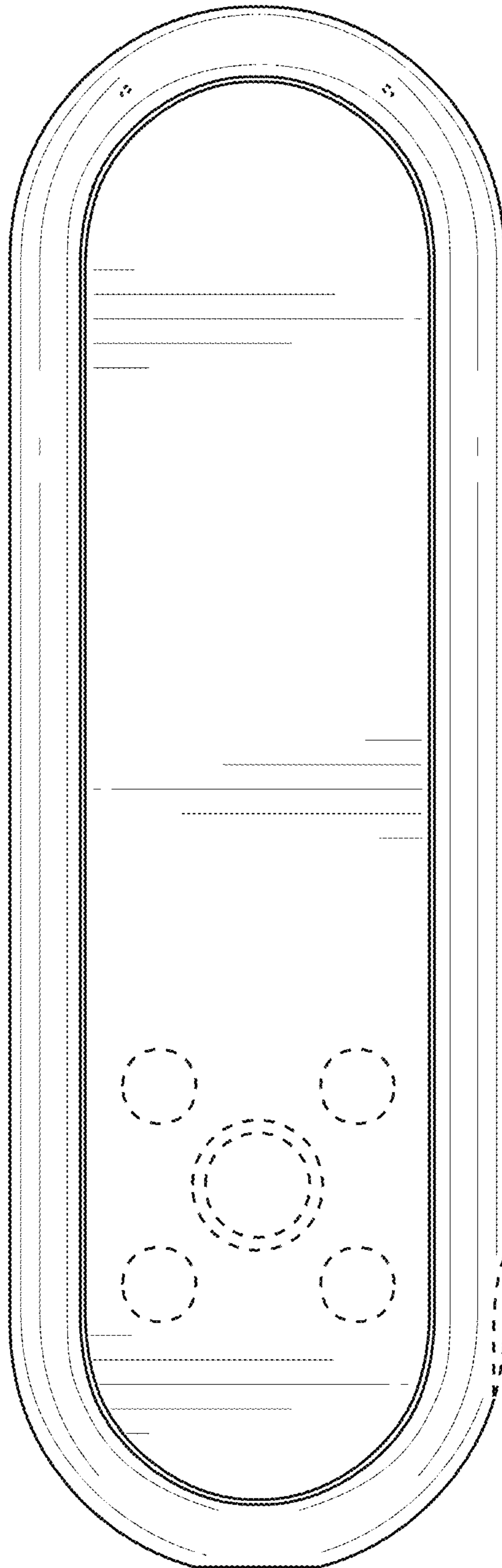


FIG. 3

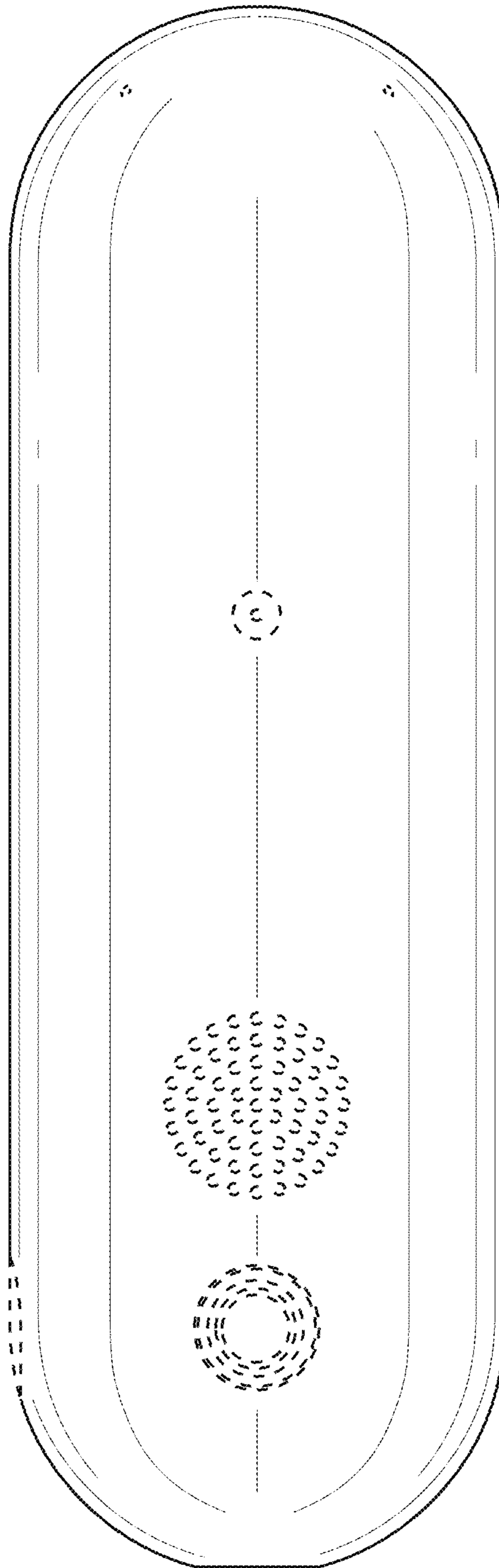


FIG. 4

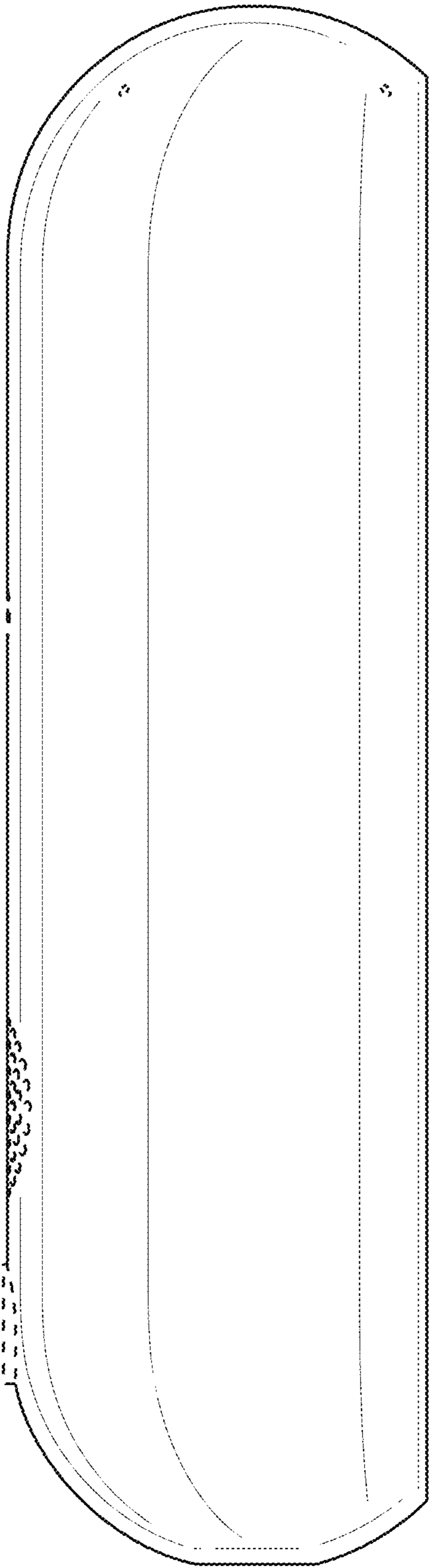


FIG. 5

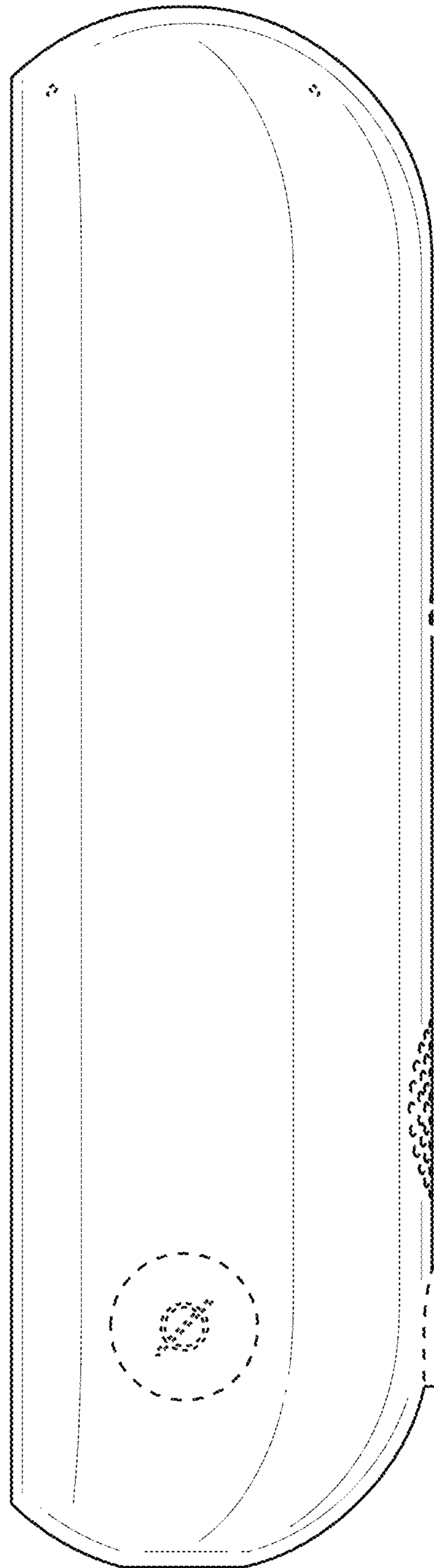


FIG. 6



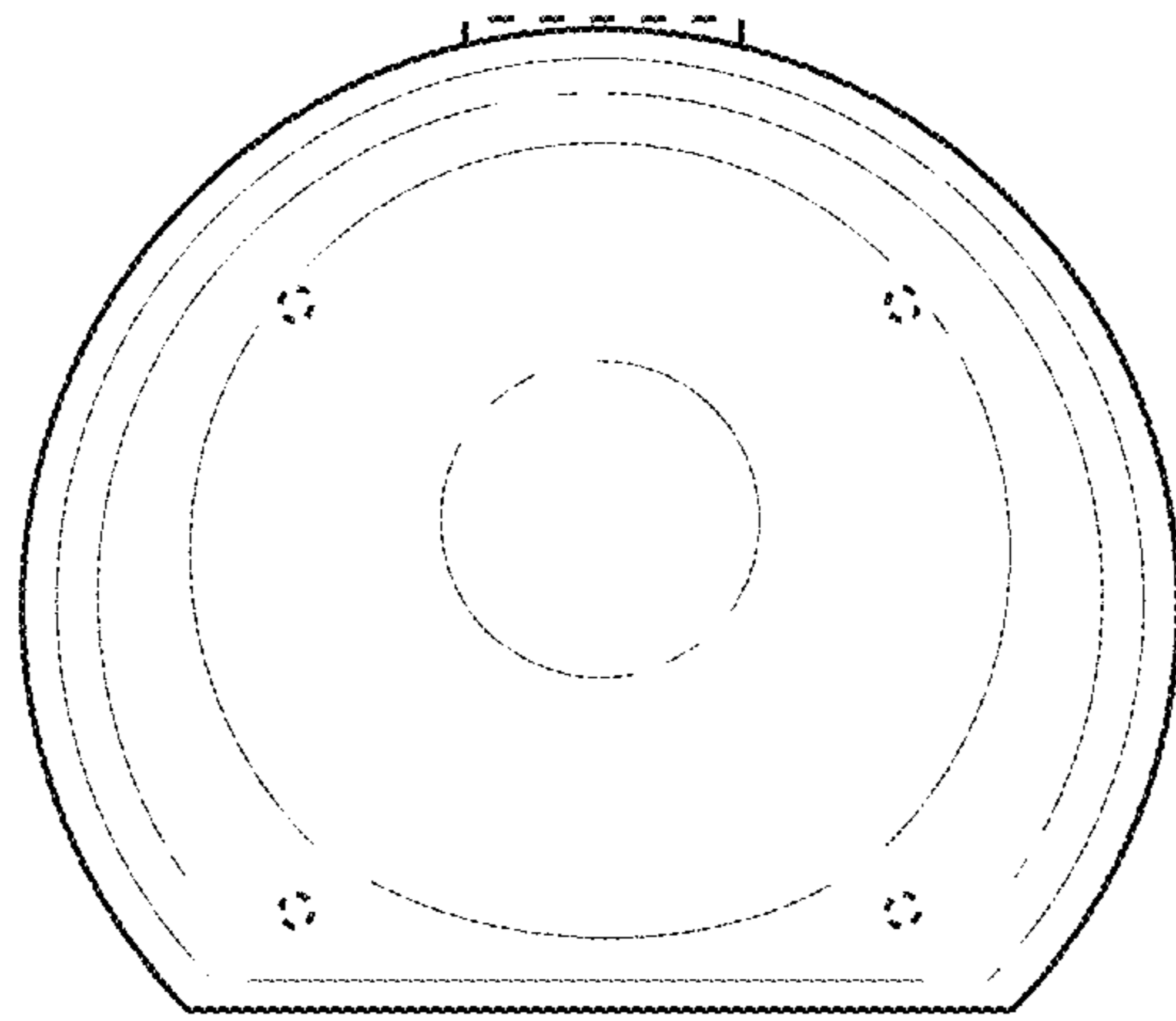


FIG. 7

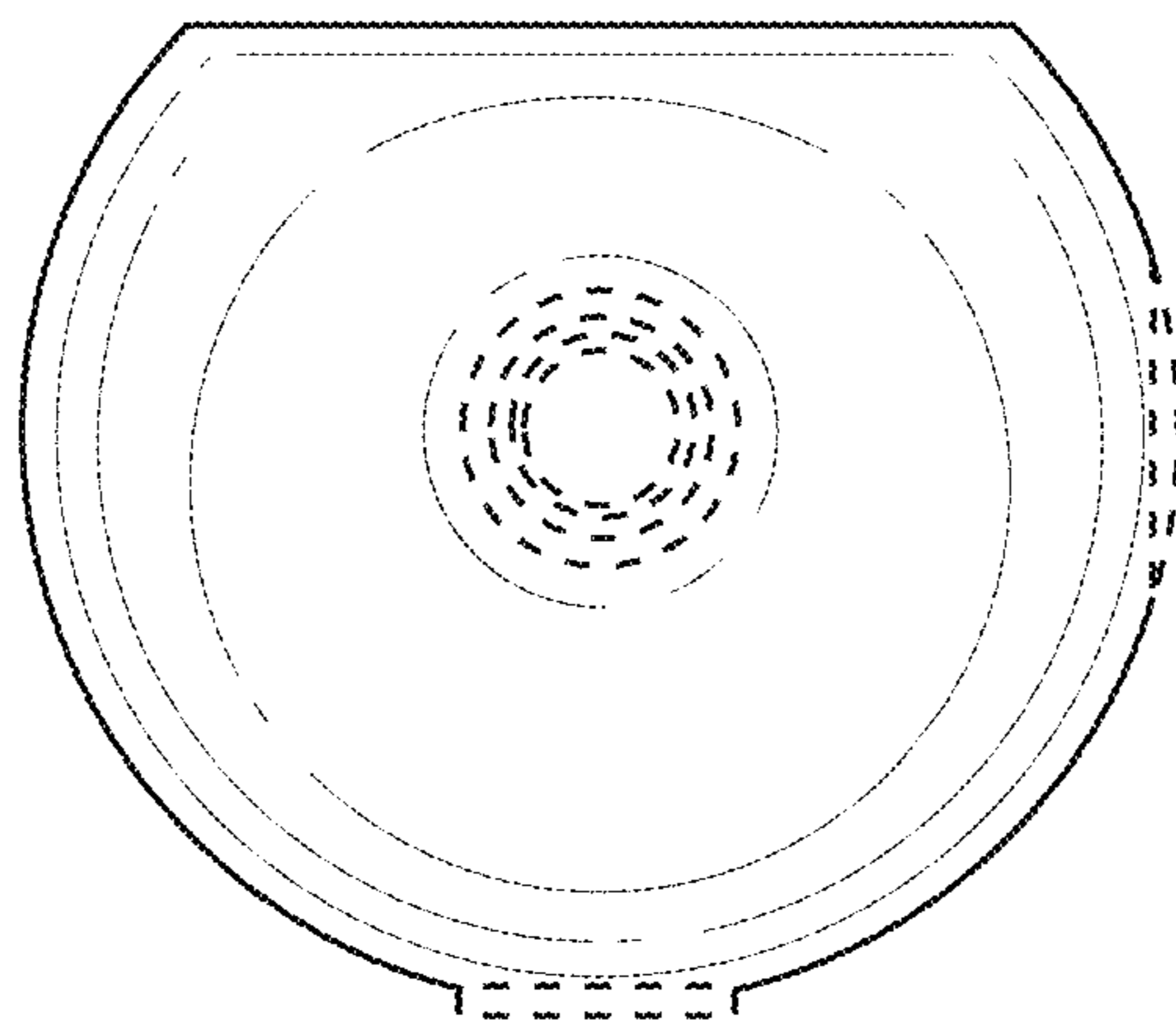


FIG. 8