



US00D808453S

(12) **United States Design Patent**
Share et al.

(10) **Patent No.:** **US D808,453 S**
(45) **Date of Patent:** **** Jan. 23, 2018**

(54) **THREE DIMENSIONAL PRINTER**

(71) Applicants: **Robert Bosch Tool Corporation**,
Broadview, IL (US); **Robert Bosch GmbH**,
Stuttgart (DE)

(72) Inventors: **Eli Charles Share**, Northfield, IL (US);
Daniel John Blythe, Palatine, IL (US);
Edward Pchola, Mount Prospect, IL (US)

(73) Assignees: **Robert Bosch Tool Corporation**,
Broadview, IL (US); **Robert Bosch GmbH**,
Stuttgart (DE)

(**) Term: **15 Years**

(21) Appl. No.: **29/562,271**

(22) Filed: **Apr. 25, 2016**

(51) **LOC (11) Cl.** **15-99**

(52) **U.S. Cl.**
USPC **D15/199**

(58) **Field of Classification Search**
USPC D14/420-425, 462-470; D15/122, 145;
D18/36-37, 50, 54, 54.1

(Continued)

(56) **References Cited**

U.S. PATENT DOCUMENTS

D641,398 S * 7/2011 Kim D18/55
D677,723 S * 3/2013 Buel D18/59

(Continued)

Primary Examiner — Patricia Palasik

(74) *Attorney, Agent, or Firm* — Maginot Moore & Beck
LLP

(57) **CLAIM**

The ornamental design for a three dimensional printer, as
shown and described.

DESCRIPTION

FIG. 1 is a front perspective view of a first embodiment of
a three dimensional printer showing our new design;

FIG. 2 is a left side perspective view showing the design for
the three dimensional printer of FIG. 1;

FIG. 3 is a rear perspective view showing the design for the
three dimensional printer of FIG. 1;

FIG. 4 is a right side perspective view showing the design
for the three dimensional printer of FIG. 1;

FIG. 5 is a front elevational view showing the design for the
three dimensional printer of FIG. 1;

FIG. 6 is a rear elevational view showing the design for the
three dimensional printer of FIG. 1;

FIG. 7 is a left side elevational view showing the design for
the three dimensional printer of FIG. 1;

FIG. 8 is a right side elevational view showing the design for
the three dimensional printer of FIG. 1;

FIG. 9 is a top plan view showing the design for the three
dimensional printer of FIG. 1; and

FIG. 10 is a bottom plan view showing the design for the
three dimensional printer of FIG. 1.

FIG. 11 is a front perspective view of a second embodiment
of a three dimensional printer showing our new design;

FIG. 12 is a left side perspective view showing the design for
the three dimensional printer of FIG. 11;

FIG. 13 is a rear perspective view showing the design for the
three dimensional printer of FIG. 11;

FIG. 14 is a right side perspective view showing the design
for the three dimensional printer of FIG. 11;

FIG. 15 is a front elevational view showing the design for
the three dimensional printer of FIG. 11;

FIG. 16 is a rear elevational view showing the design for the
three dimensional printer of FIG. 11;

FIG. 17 is a left side elevational view showing the design for
the three dimensional printer of FIG. 11;

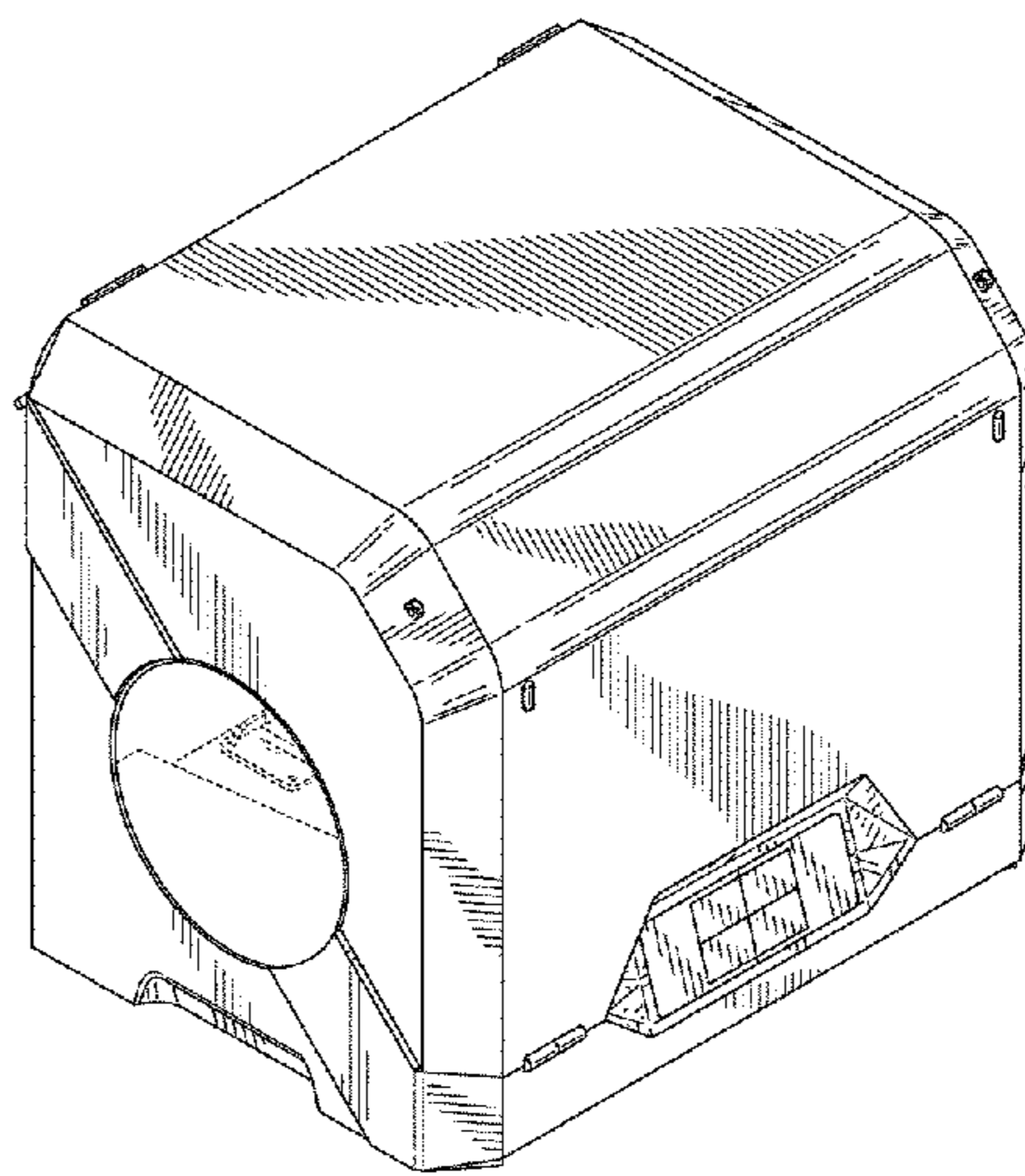
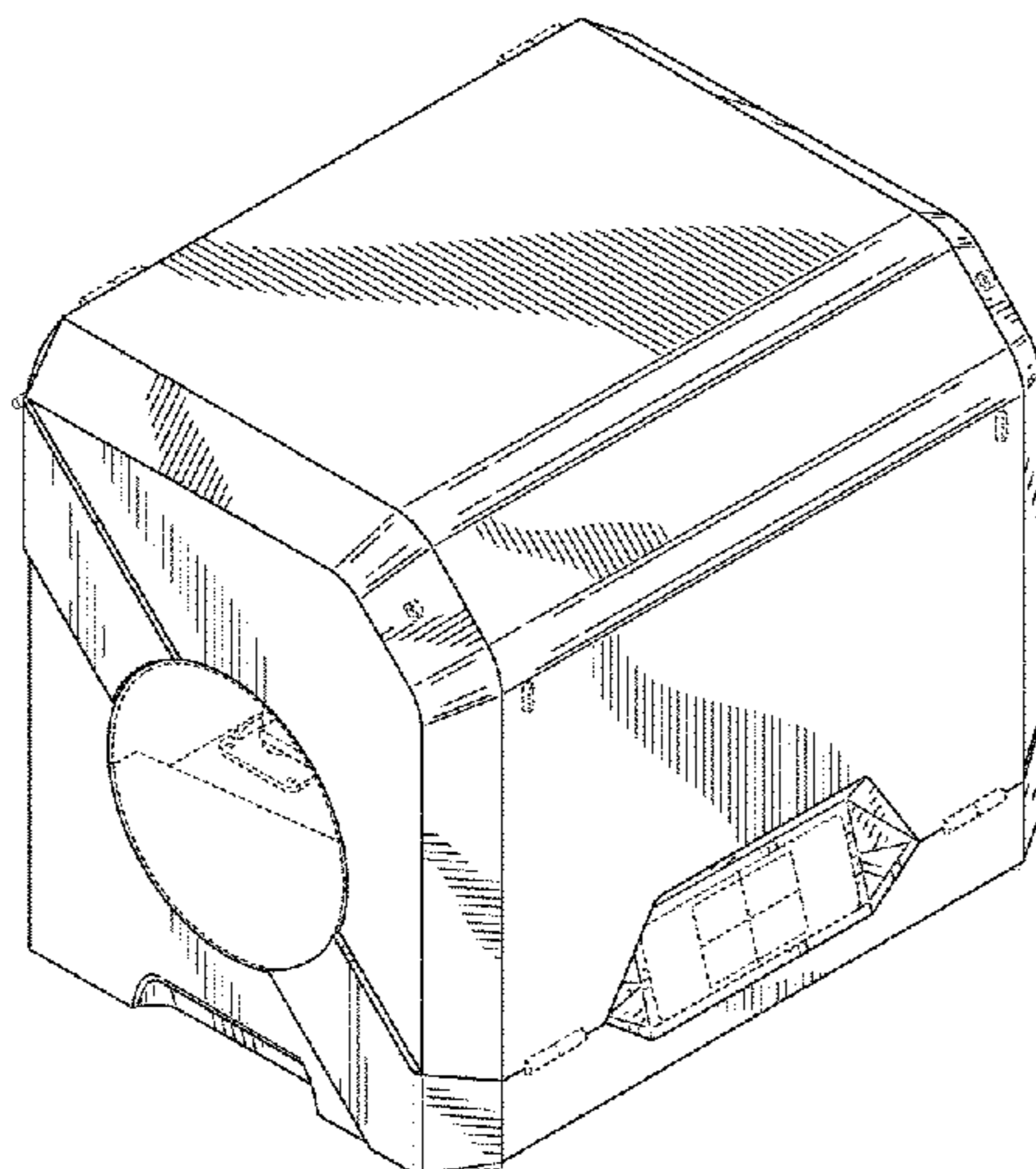
FIG. 18 is a right side elevational view showing the design
for the three dimensional printer of FIG. 11;

FIG. 19 is a top plan view showing the design for the three
dimensional printer of FIG. 11; and,

FIG. 20 is a bottom plan view showing the design for the
three dimensional printer of FIG. 11.

The broken lines in the drawings depict unclaimed environ-
mental subject matter.

1 Claim, 20 Drawing Sheets



(58) **Field of Classification Search**
 CPC . B29C 47/12; B29C 67/0059; B29C 67/0088;
 B29K 2105/0058
 See application file for complete search history.

(56) **References Cited**

U.S. PATENT DOCUMENTS

D693,873 S *	11/2013	Fukasawa	D18/55
D697,964 S *	1/2014	Fukasawa	D18/55
D717,850 S *	11/2014	Kawai	D15/199
D725,184 S *	3/2015	Kim	D18/55
D734,814 S *	7/2015	Yeh	D18/50
D739,885 S *	9/2015	Lee	D15/122
D742,945 S *	11/2015	Lee	D15/122
D746,881 S *	1/2016	Anantha	D15/122
D749,171 S *	2/2016	Nakagawa	D18/55
D752,661 S *	3/2016	Anantha	D15/122
D757,132 S *	5/2016	Liu	D15/122

D763,330 S *	8/2016	Olive	D15/122
D770,545 S *	11/2016	Olive	D15/122
D776,174 S *	1/2017	Summit	D15/122
D777,808 S *	1/2017	Chang	D15/122
D787,574 S *	5/2017	Lee	D15/122
D788,843 S *	6/2017	Lee	D18/55
D792,508 S *	7/2017	Nakagawa	D18/50
D792,923 S *	7/2017	Kim	D18/55
2012/0281053 A1 *	11/2012	Kubota	B41J 3/4075 347/211
2014/0167344 A1 *	6/2014	Saikawa	B41J 3/4075 270/1.01
2016/0167309 A1 *	6/2016	Liu	B29C 67/0055 264/40.1
2016/0236409 A1 *	8/2016	Armani	B29C 47/12
2016/0339634 A1 *	11/2016	Fuller	B29C 67/0055
2017/0106603 A1 *	4/2017	Pobihun	B33Y 30/00
2017/0120524 A1 *	5/2017	Liu	B29C 64/20
2017/0128601 A1 *	5/2017	DeCiccio	A61L 2/10

* cited by examiner

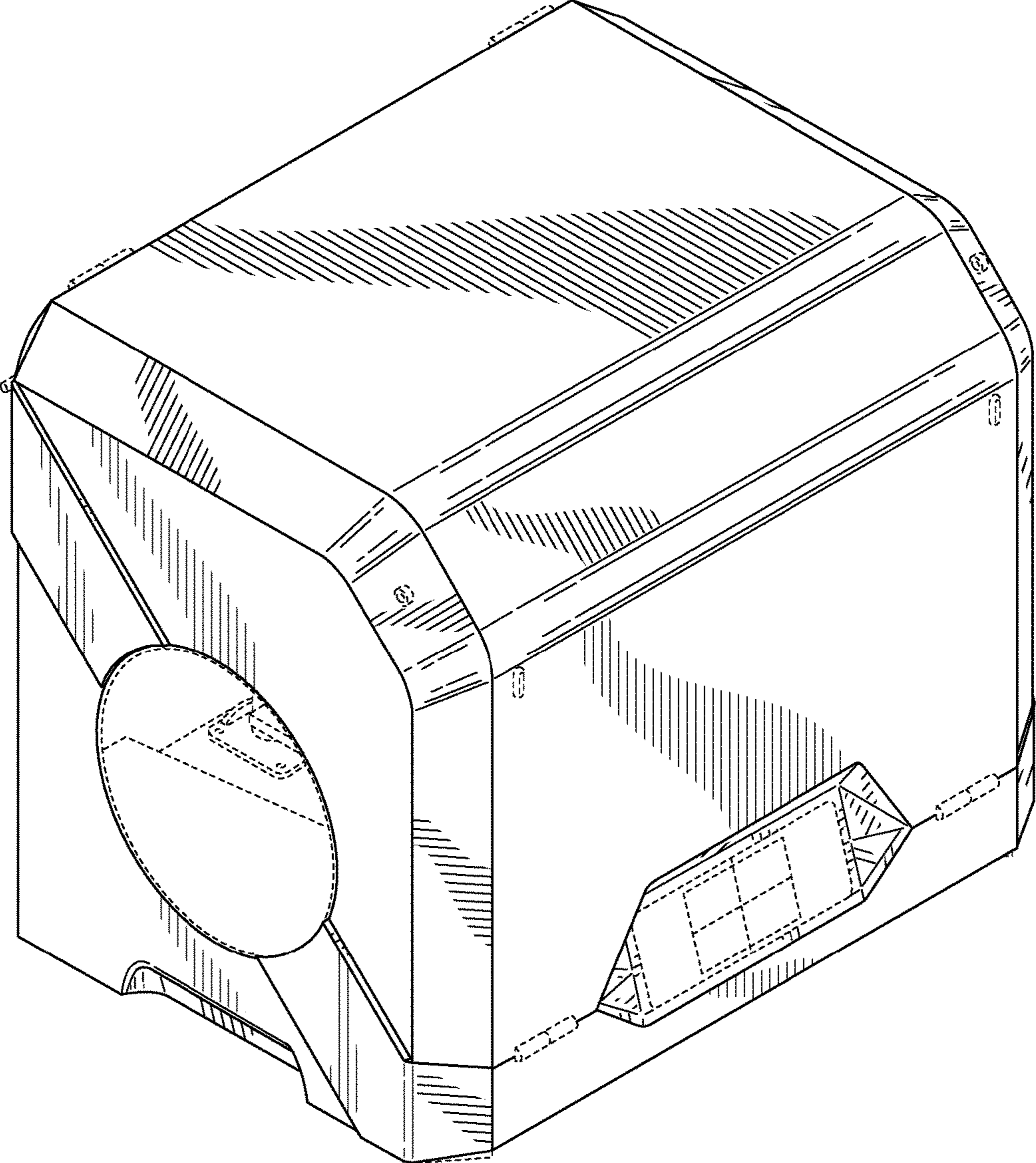


FIG. 1

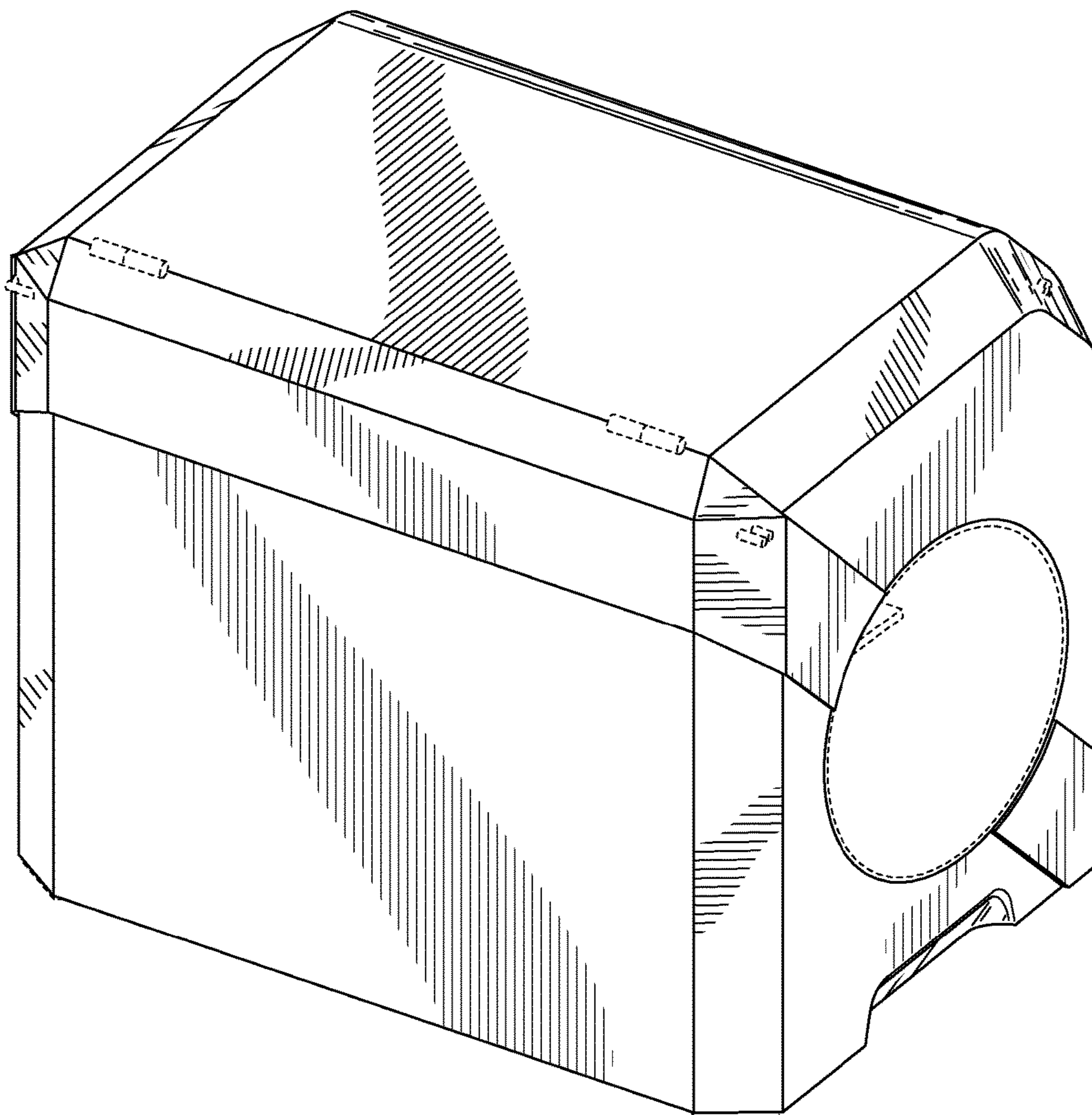


FIG. 2

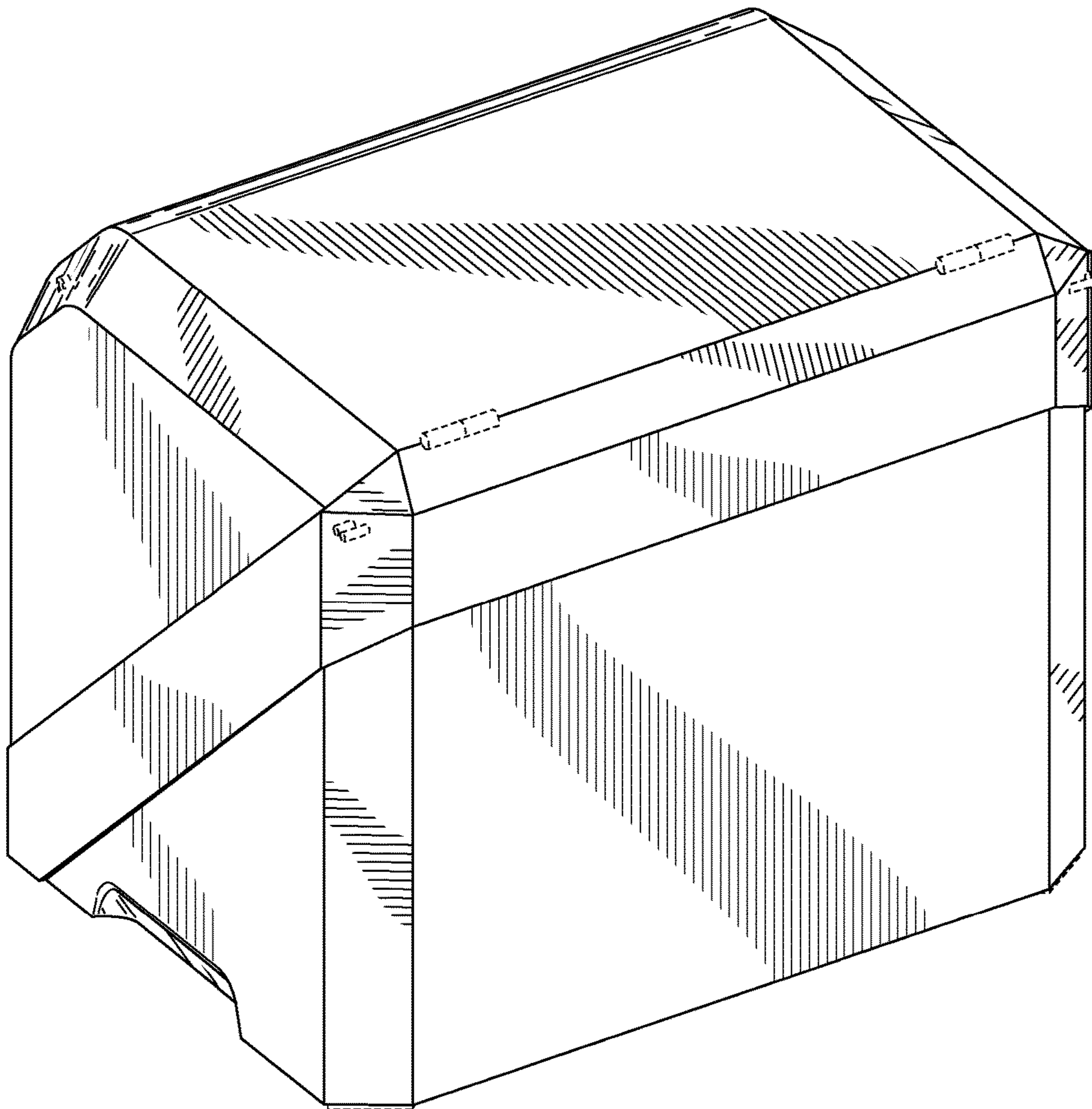


FIG. 3

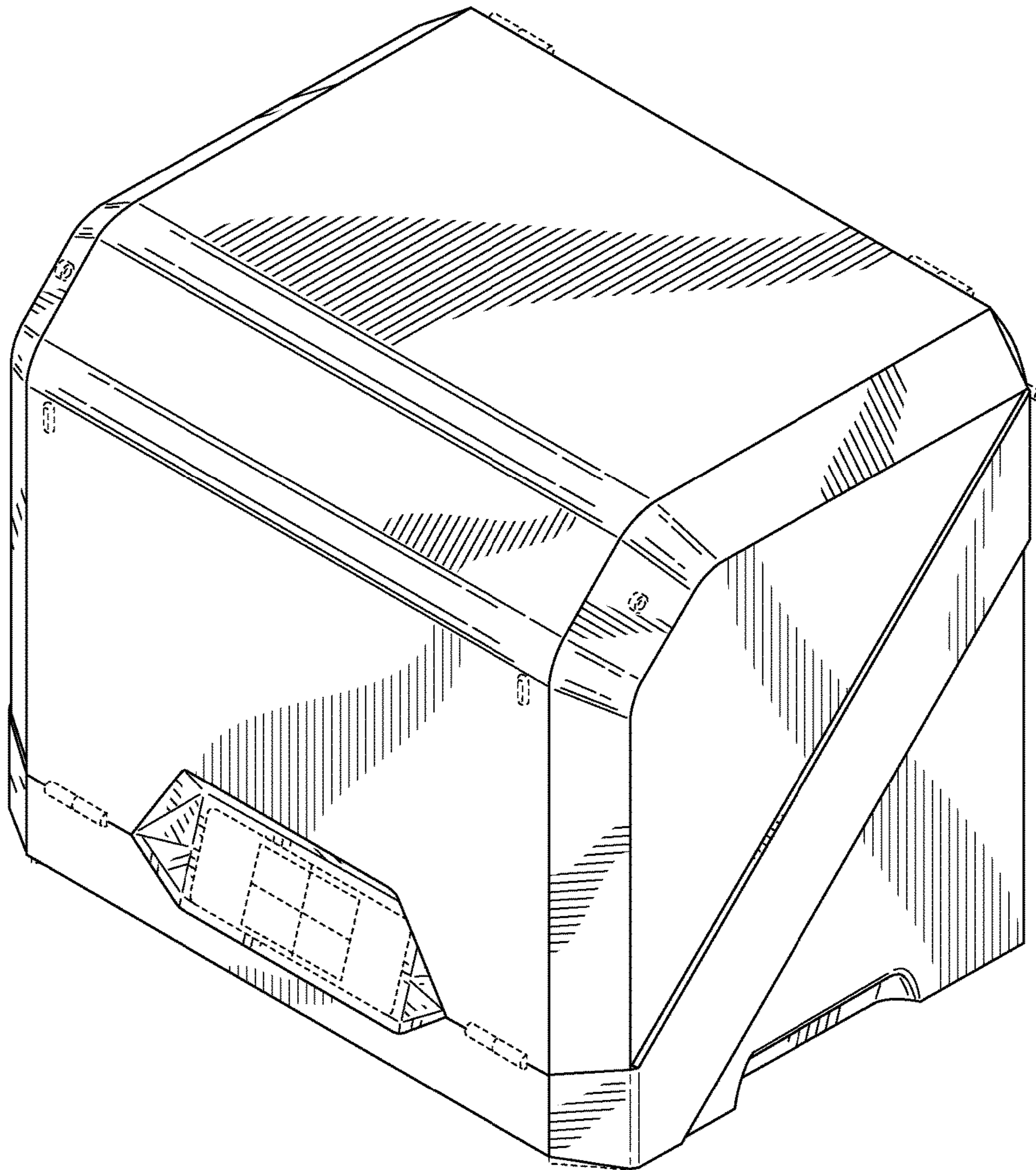


FIG. 4

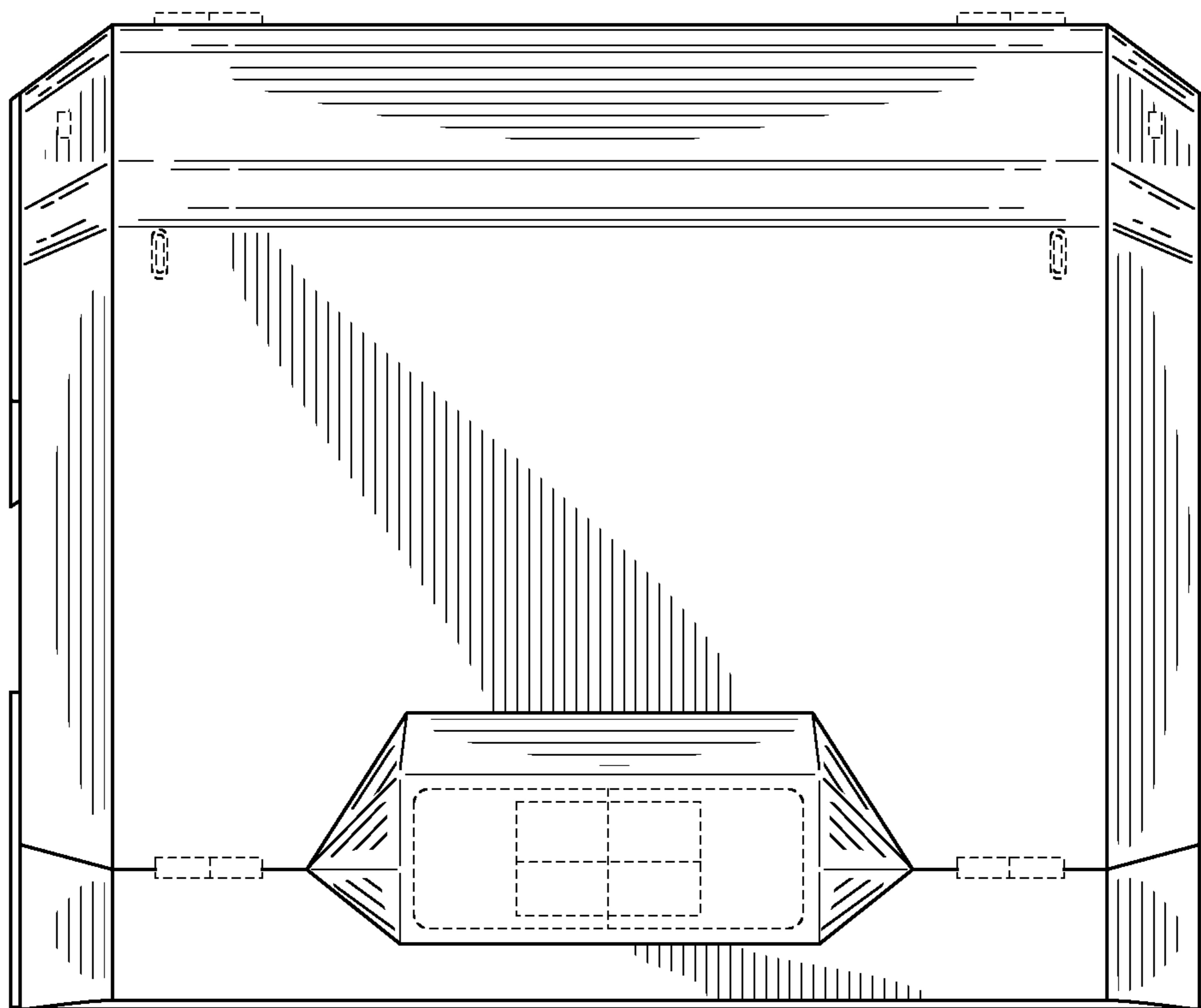


FIG. 5

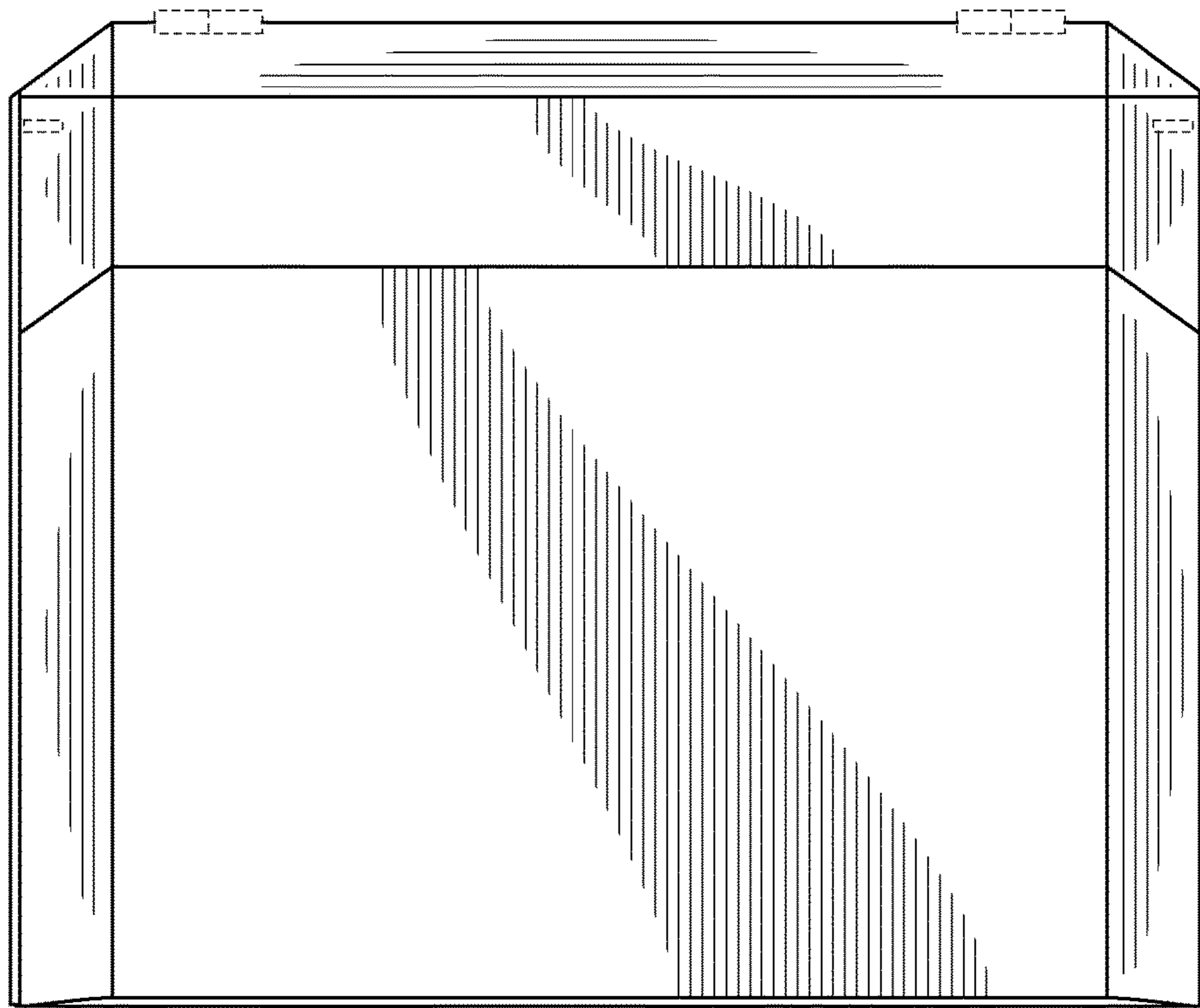


FIG. 6

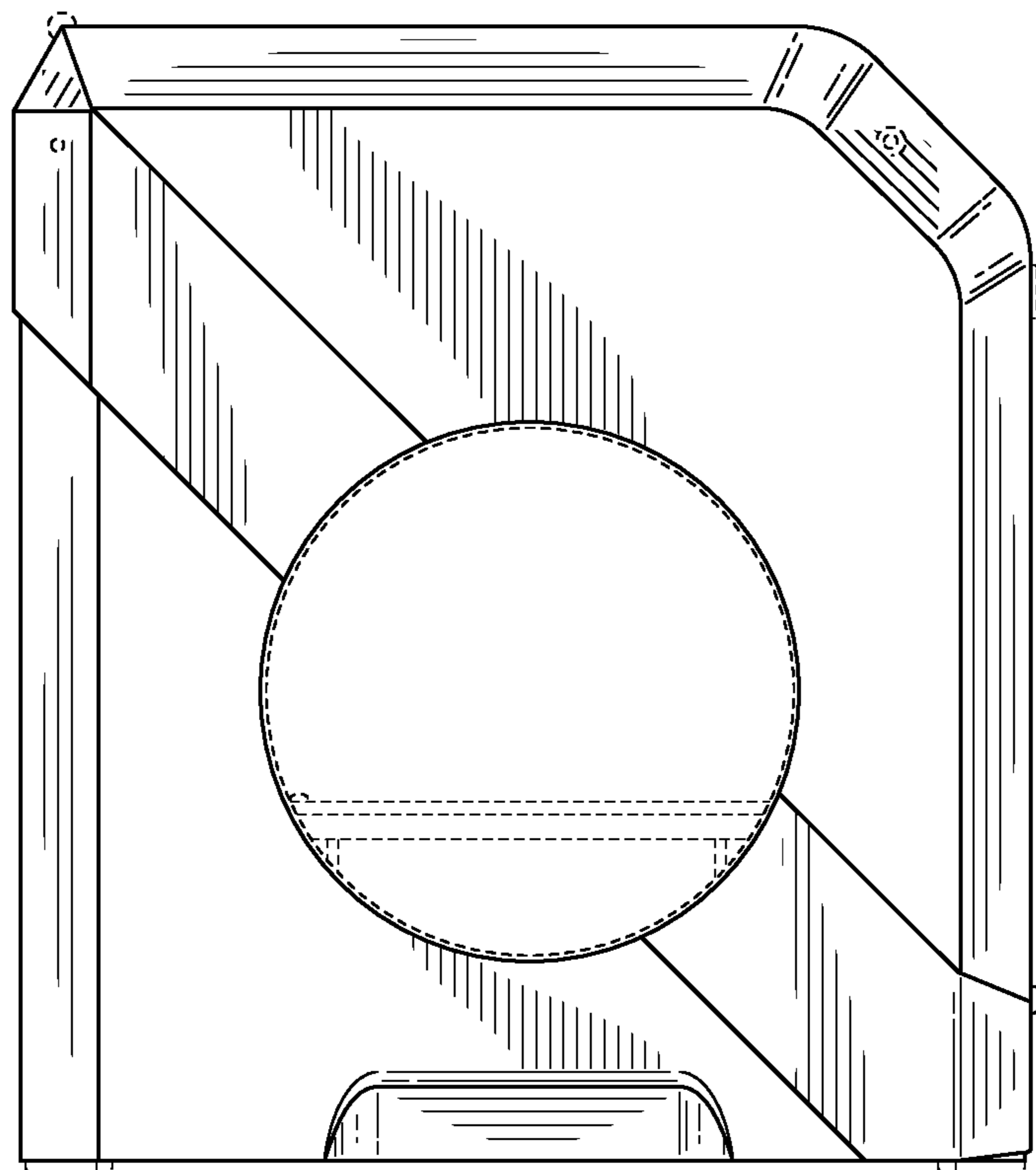


FIG. 7

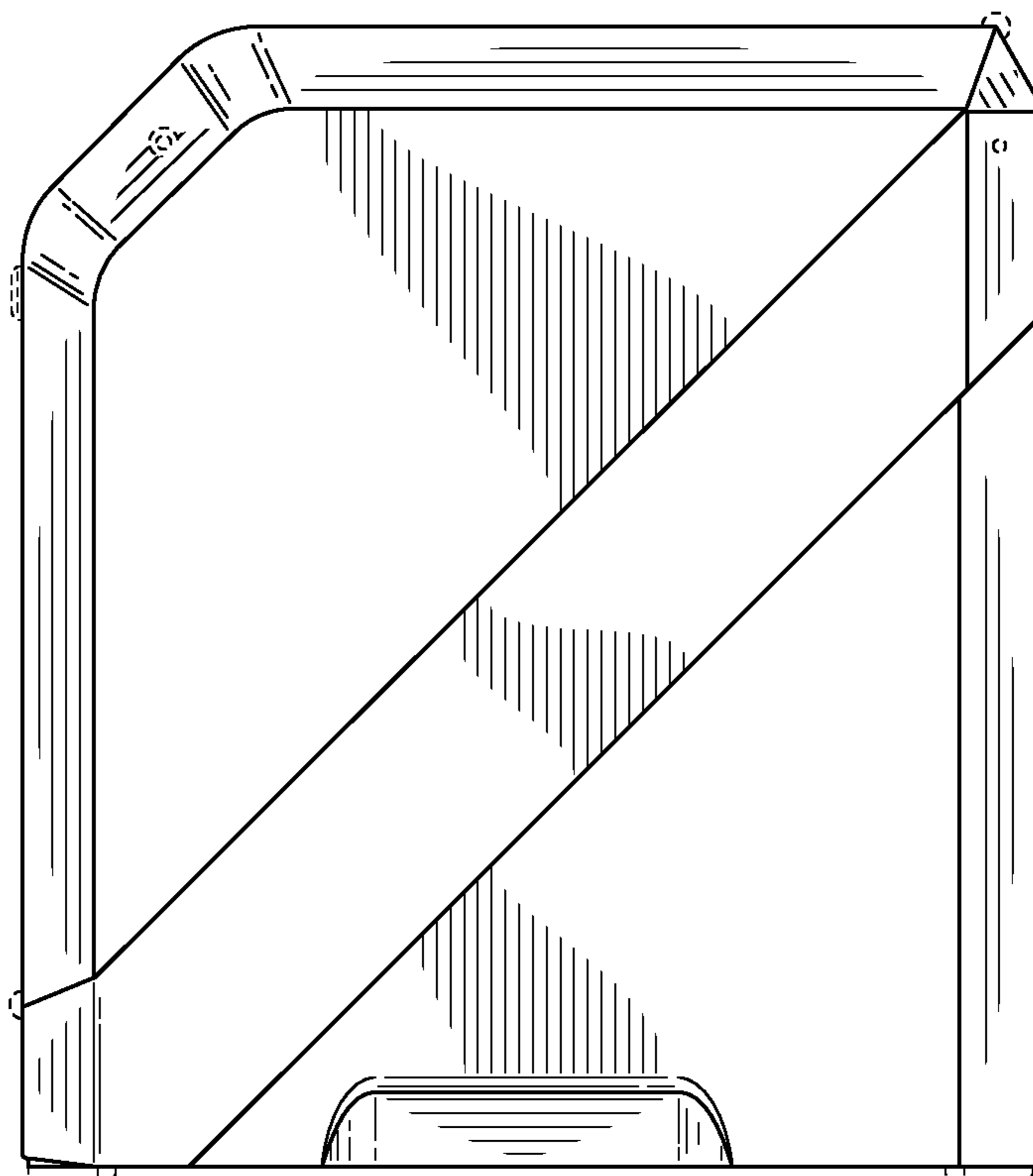


FIG. 8

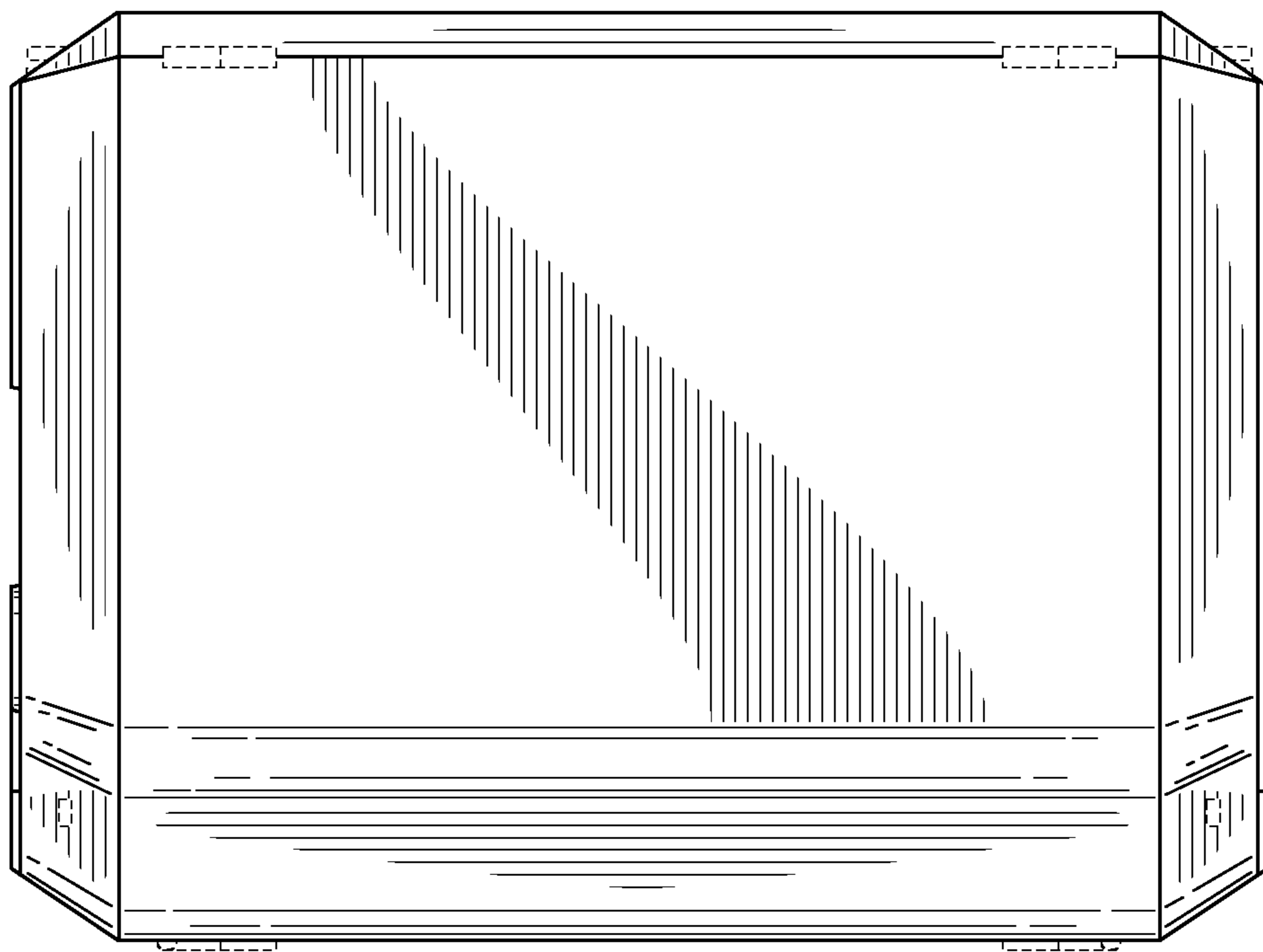


FIG. 9

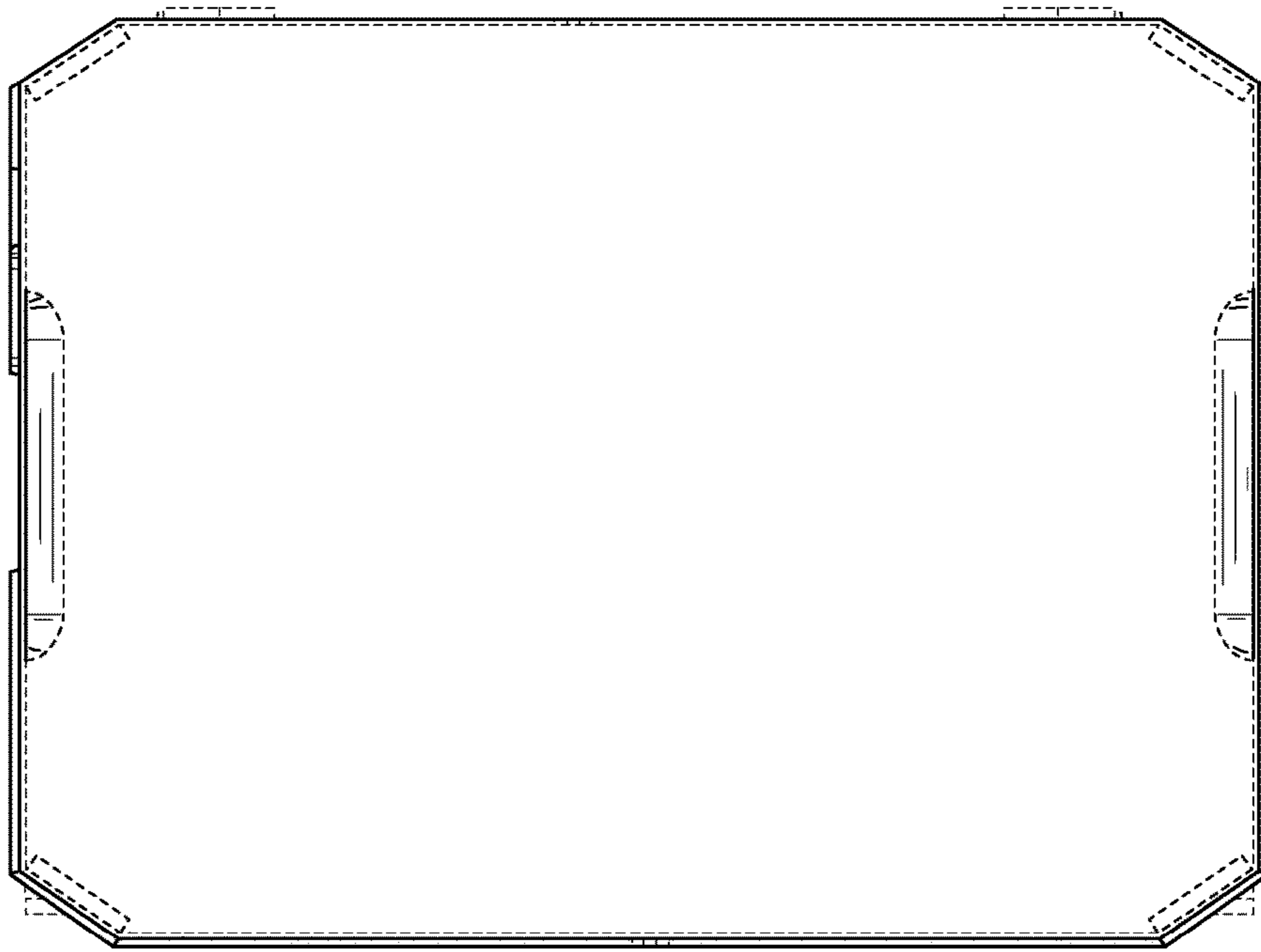


FIG. 10

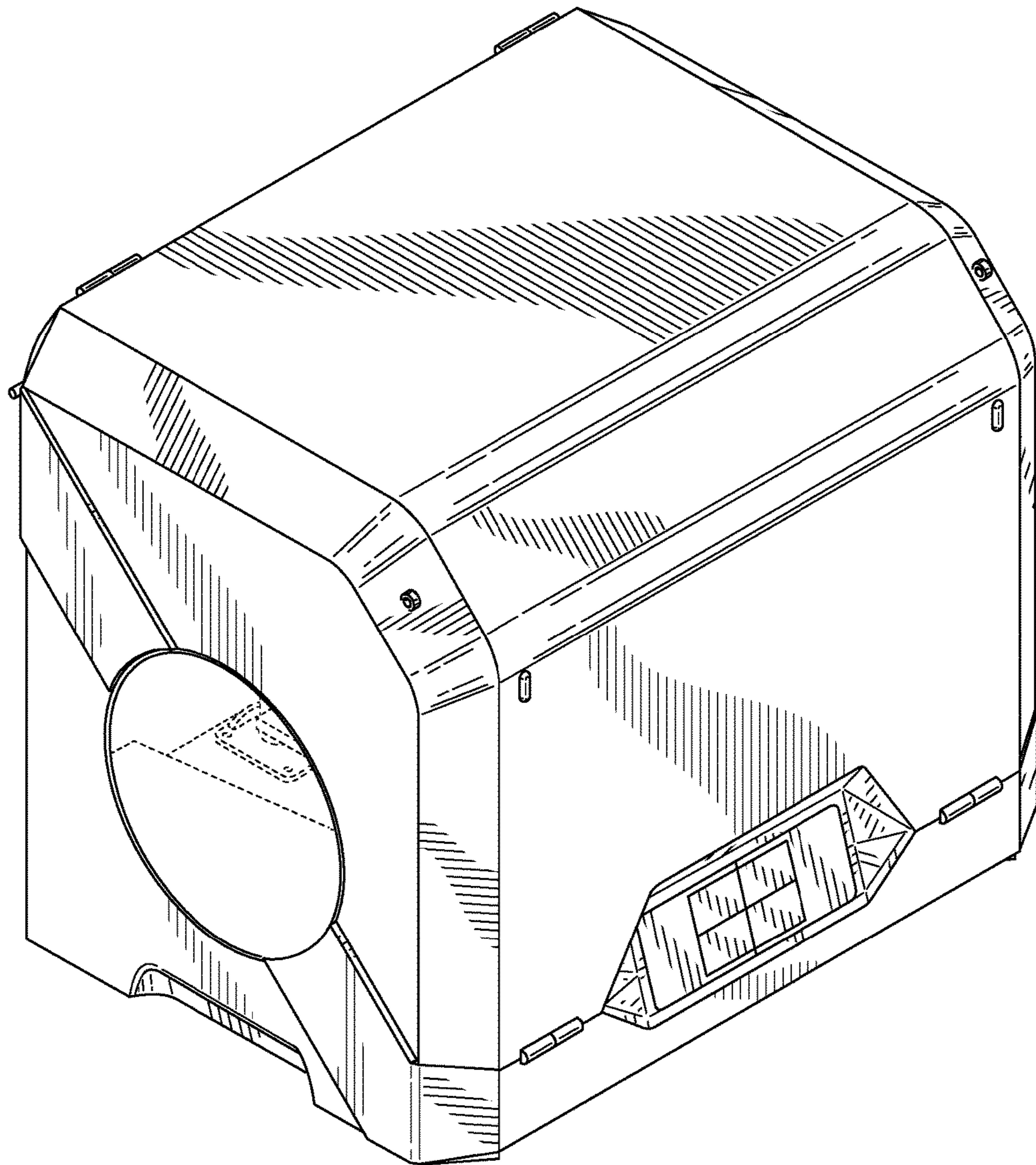


FIG. 11

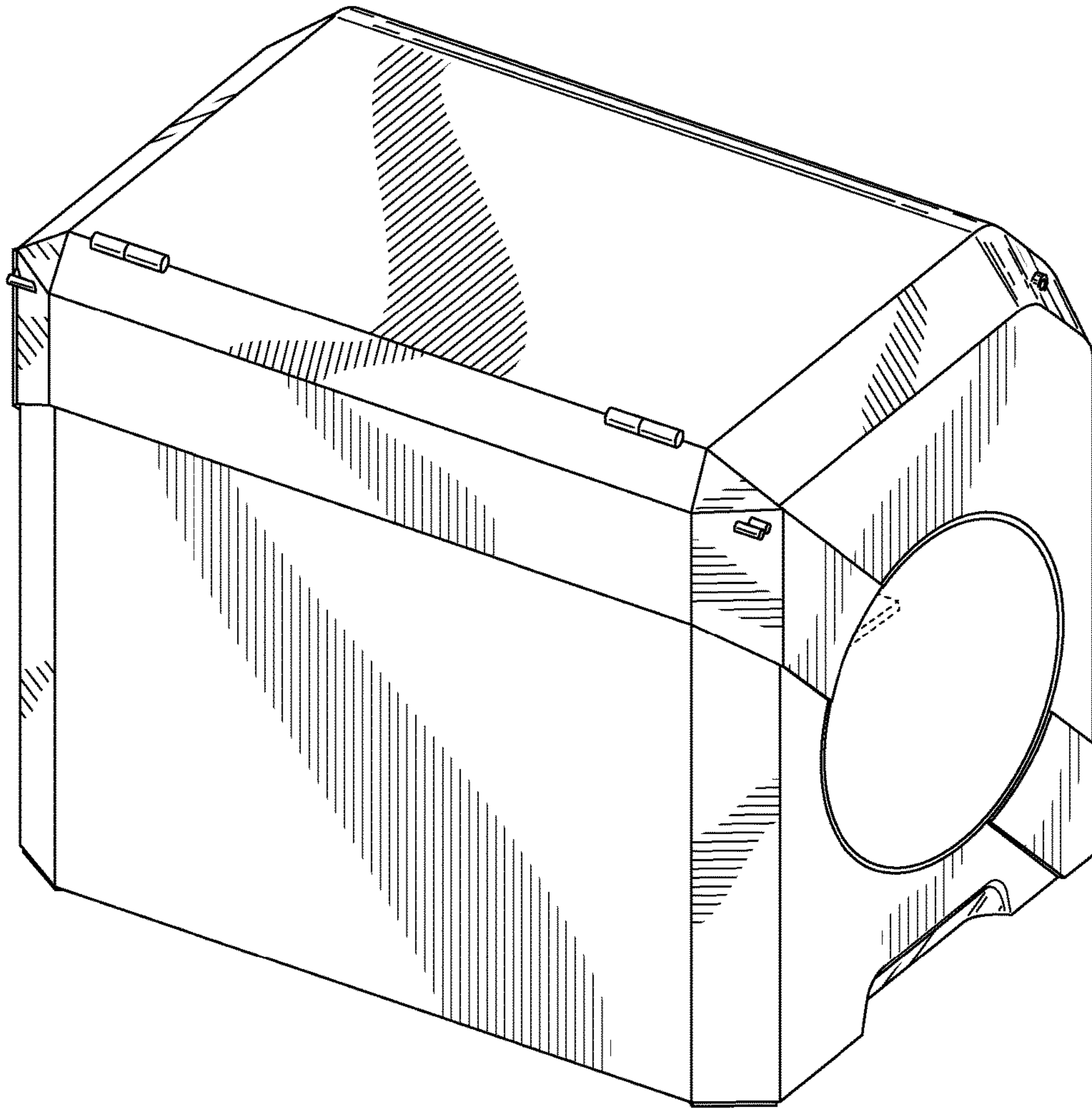


FIG. 12

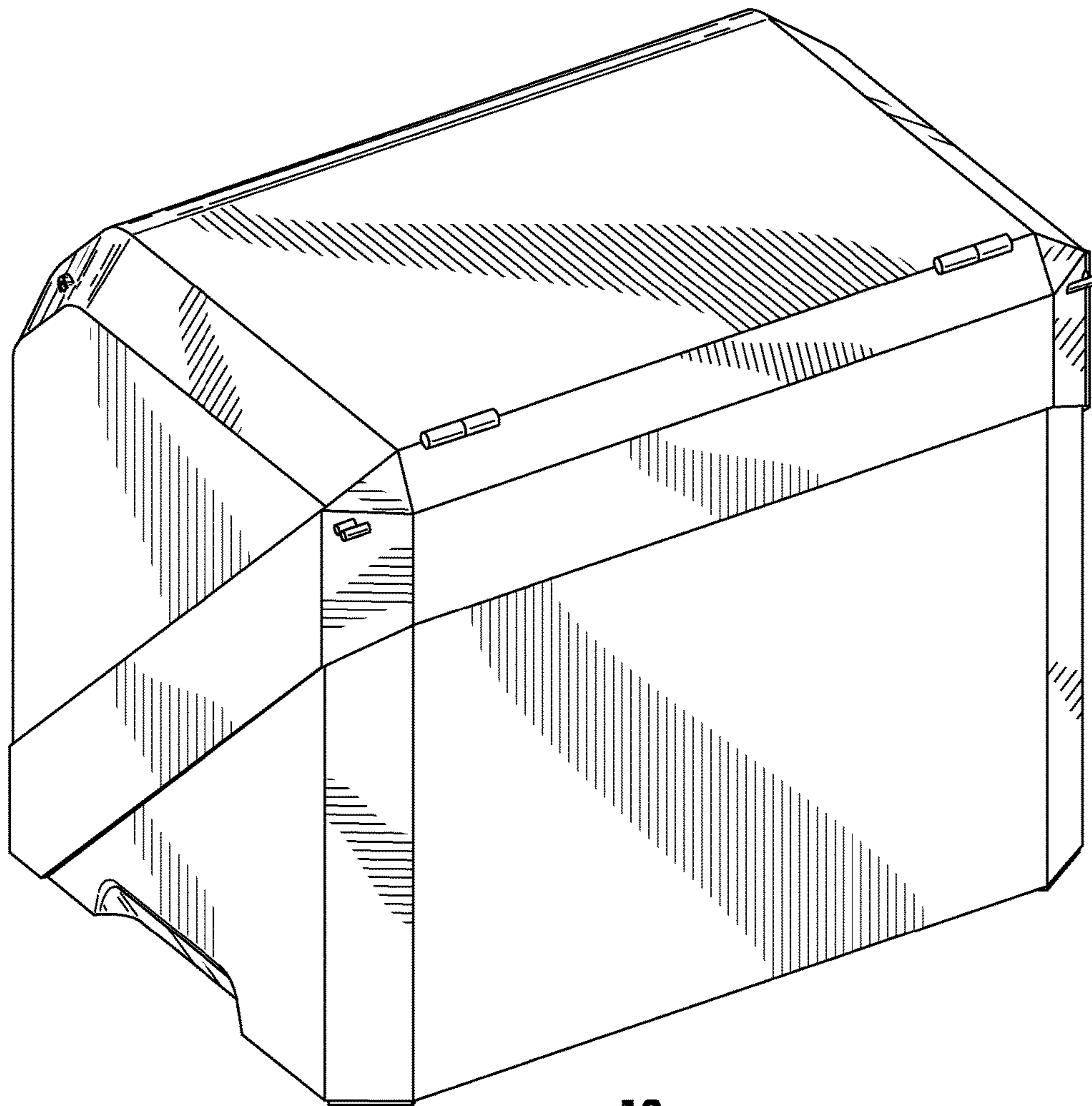


FIG. 13

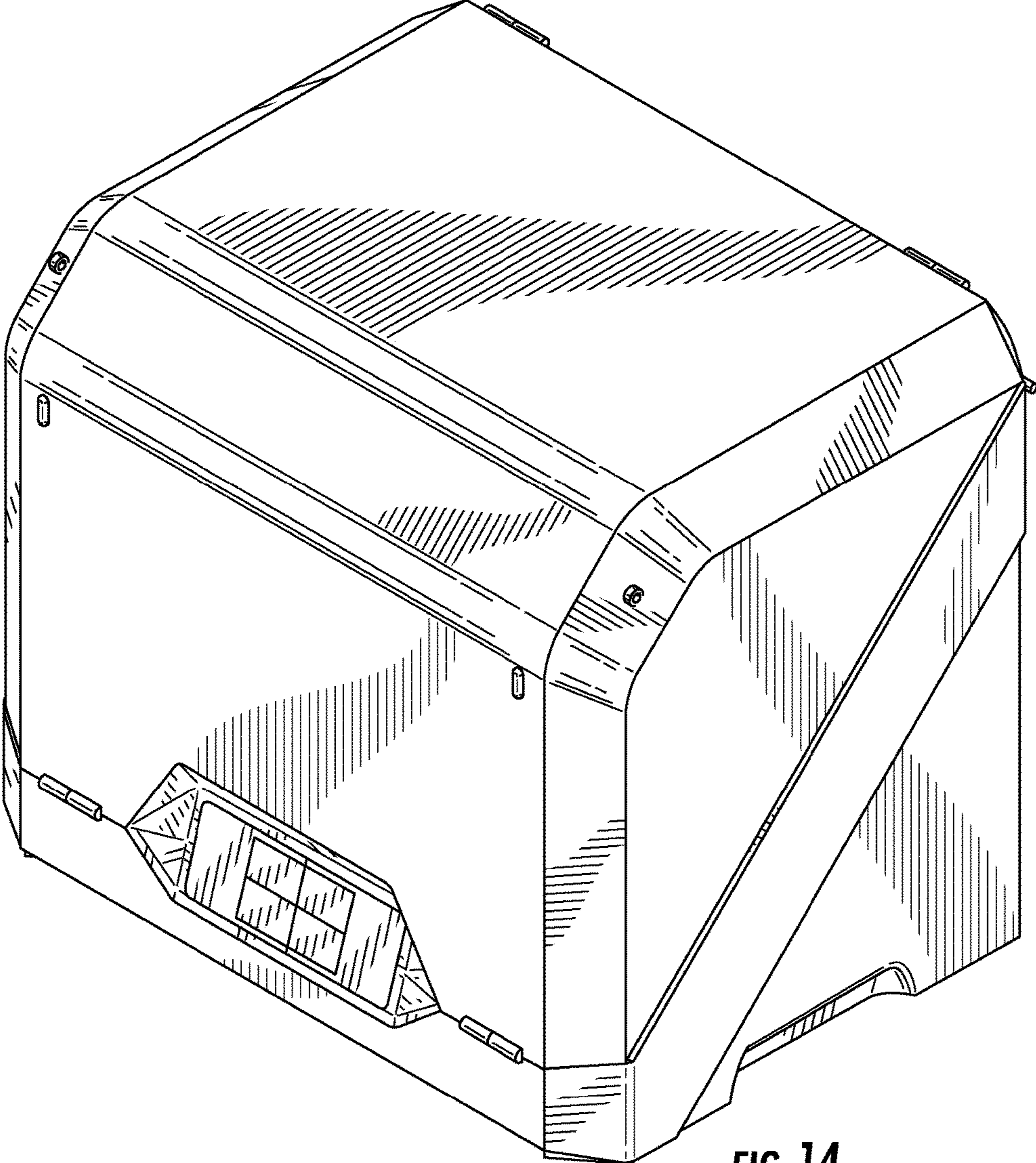


FIG. 14

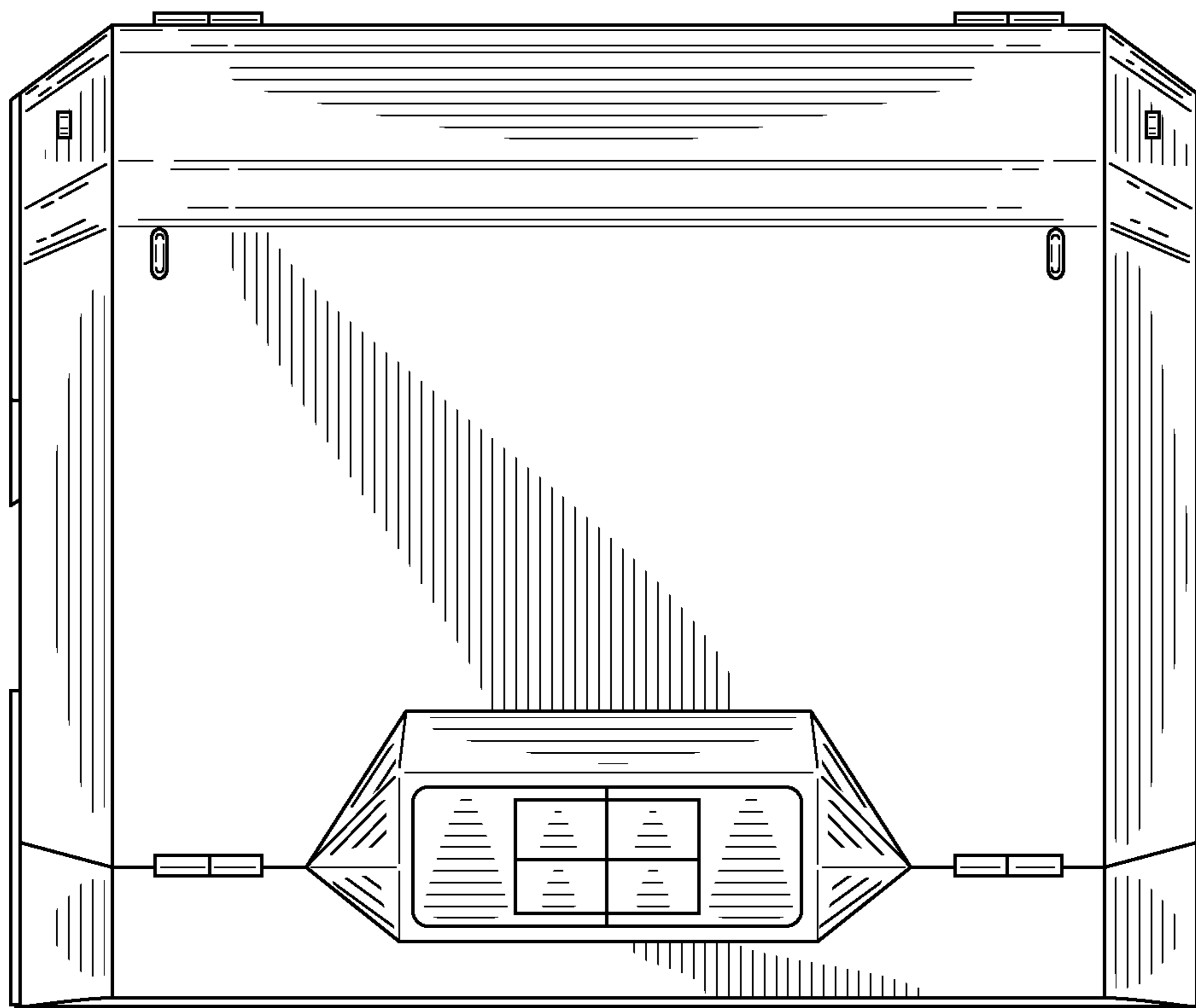


FIG. 15

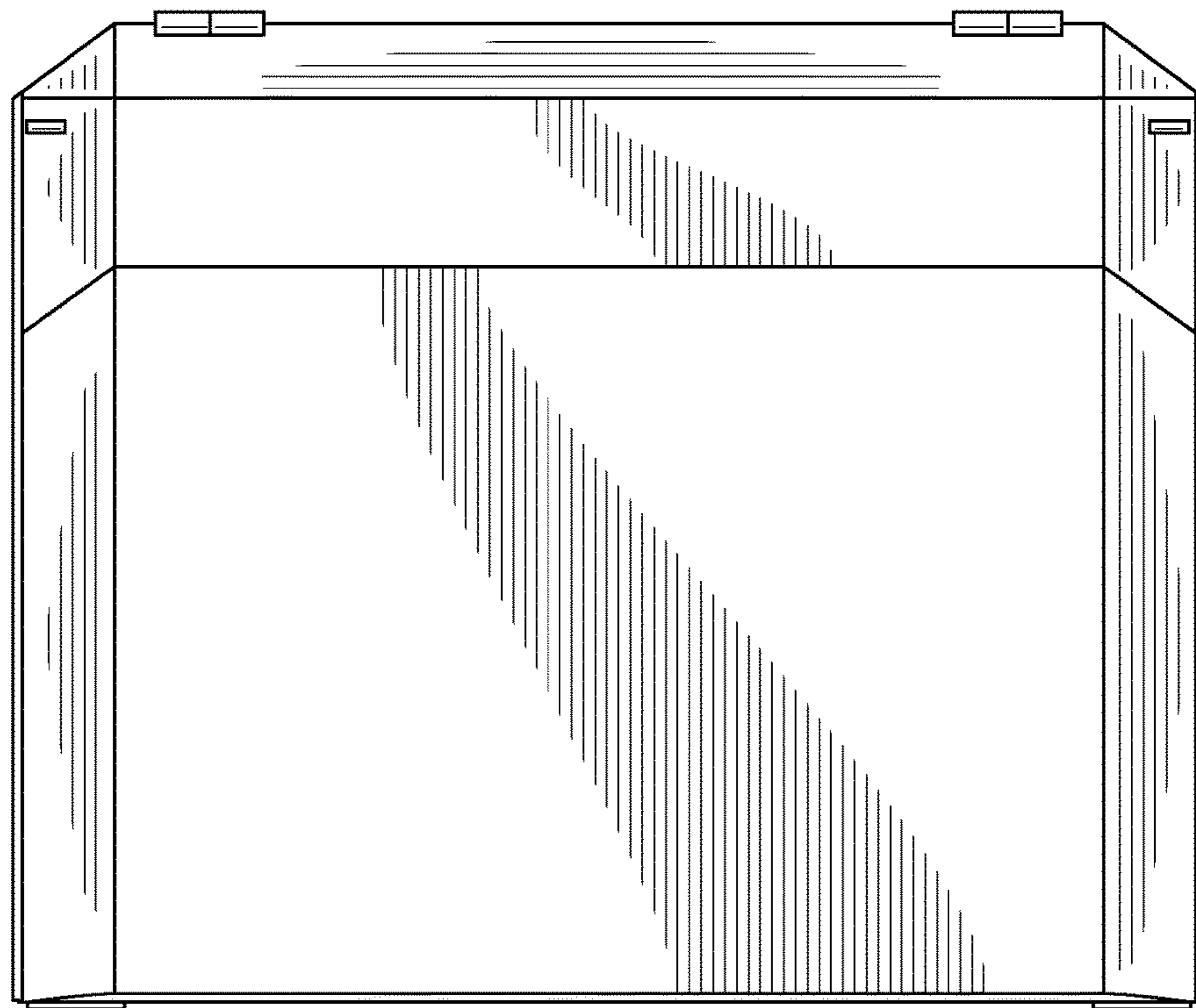


FIG. 16

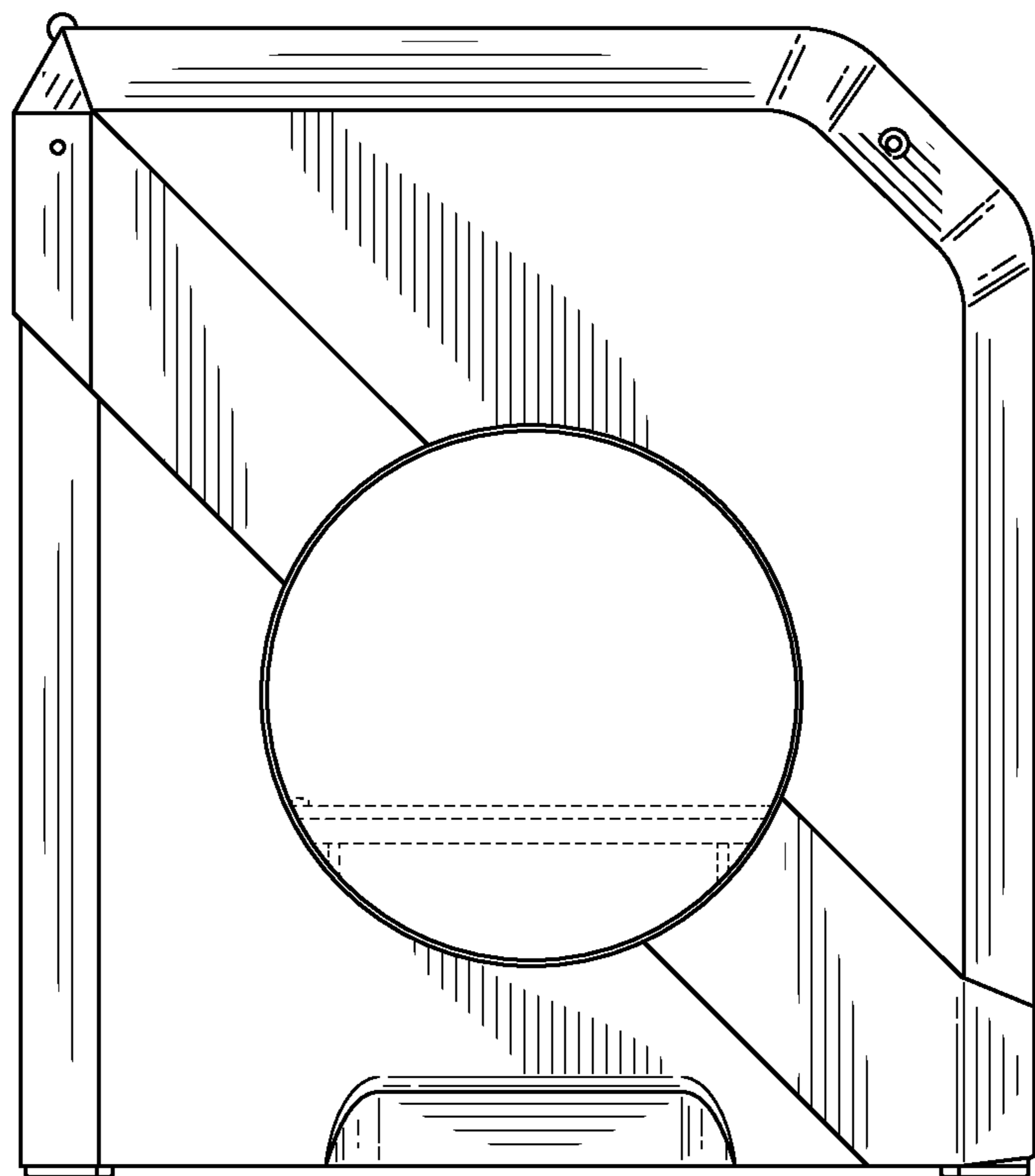


FIG. 17

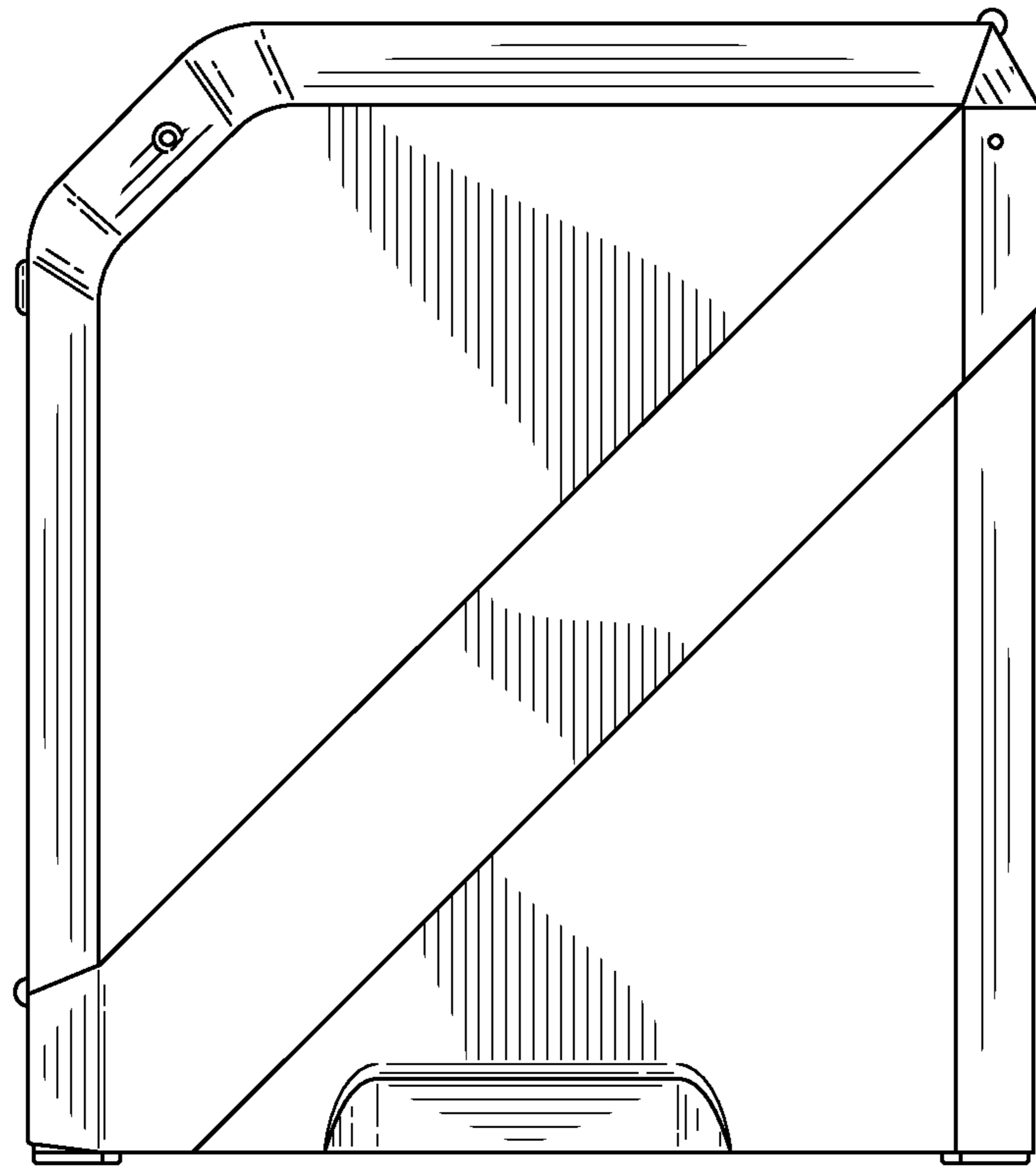


FIG. 18

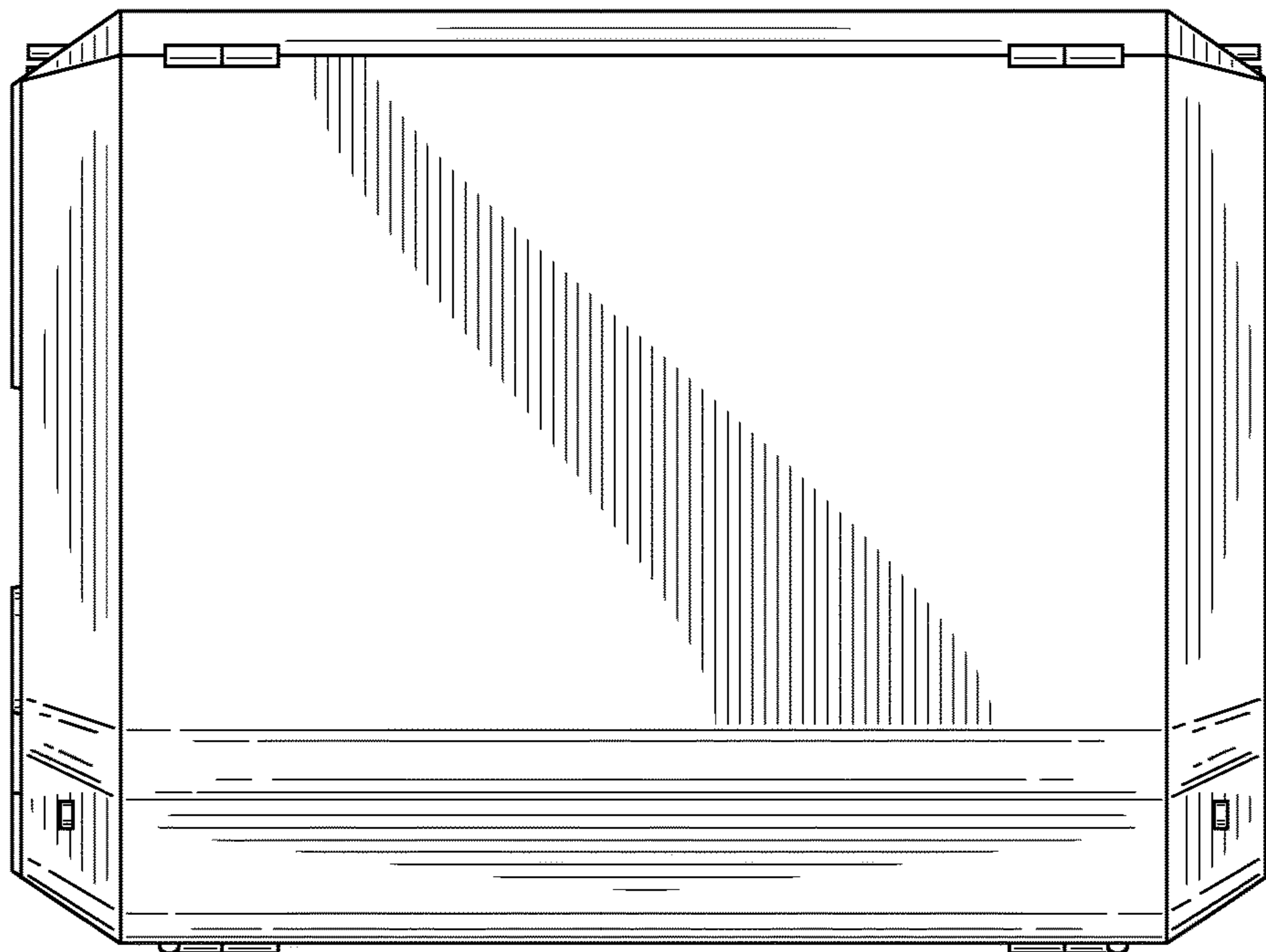


FIG. 19

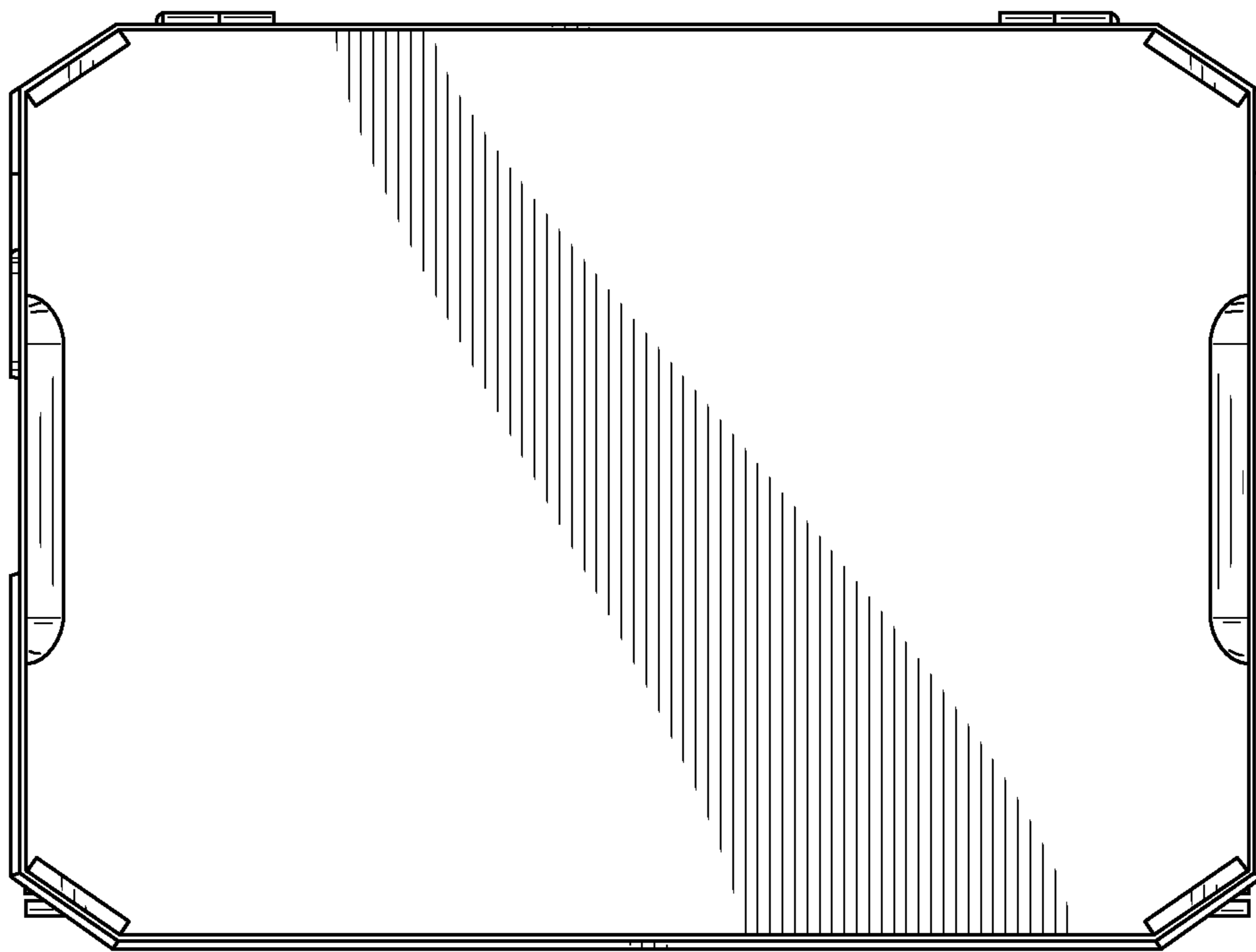


FIG. 20