



US00D808452S

(12) **United States Design Patent**  
**Watrin et al.**

(10) **Patent No.:** **US D808,452 S**  
(45) **Date of Patent:** **\*\* Jan. 23, 2018**

(54) **GEARED MOTOR**

(71) Applicant: **SONCEBOZ AUTOMOTIVE S.A.**,  
Sonceboz-Sombe-Bal (CH)  
(72) Inventors: **Mathieu Watrin**, Sonceboz-Sombe-Bal  
(CH); **Christophe Adler**,  
Sonceboz-Sombe-Bal (CH); **Philippe**  
**Brossard**, Sonceboz-Sombe-Bal (CH)  
(73) Assignee: **SONCEBOZ AUTOMOTIVE S.A.**,  
Sonceboz-Sombe-Bal (CH)

(\*\*) Term: **15 Years**

(21) Appl. No.: **29/586,970**

(22) Filed: **Dec. 8, 2016**

(30) **Foreign Application Priority Data**

Jun. 8, 2016 (FR) ..... 20162998

(51) **LOC (11) Cl.** ..... **15-09**

(52) **U.S. Cl.**  
USPC ..... **D15/148**

(58) **Field of Classification Search**  
USPC ..... D12/80; D15/148, 149  
CPC ..... B60J 1/08; E05F 15/697; E05Y 2201/434;  
E05Y 2900/55; F16H 1/16; F16H 19/06;  
F16H 57/12

See application file for complete search history.

(56) **References Cited**

U.S. PATENT DOCUMENTS

D206,715	S	*	1/1967	Svarnias	.....	D13/112
D584,324	S	*	1/2009	Yaegashi	.....	D15/143
D680,141	S	*	4/2013	Sannomiya	.....	D15/148
D698,837	S	*	2/2014	Woppermann	.....	D15/148
D706,325	S	*	6/2014	Wada	.....	D15/148
D707,739	S	*	6/2014	Wada	.....	D15/148
D795,934	S	*	8/2017	Ebner	.....	D15/148
2016/0265262	A1	*	9/2016	Koizumi	.....	E05F 15/697

\* cited by examiner

*Primary Examiner* — Patricia Palasik

(74) *Attorney, Agent, or Firm* — TraskBritt

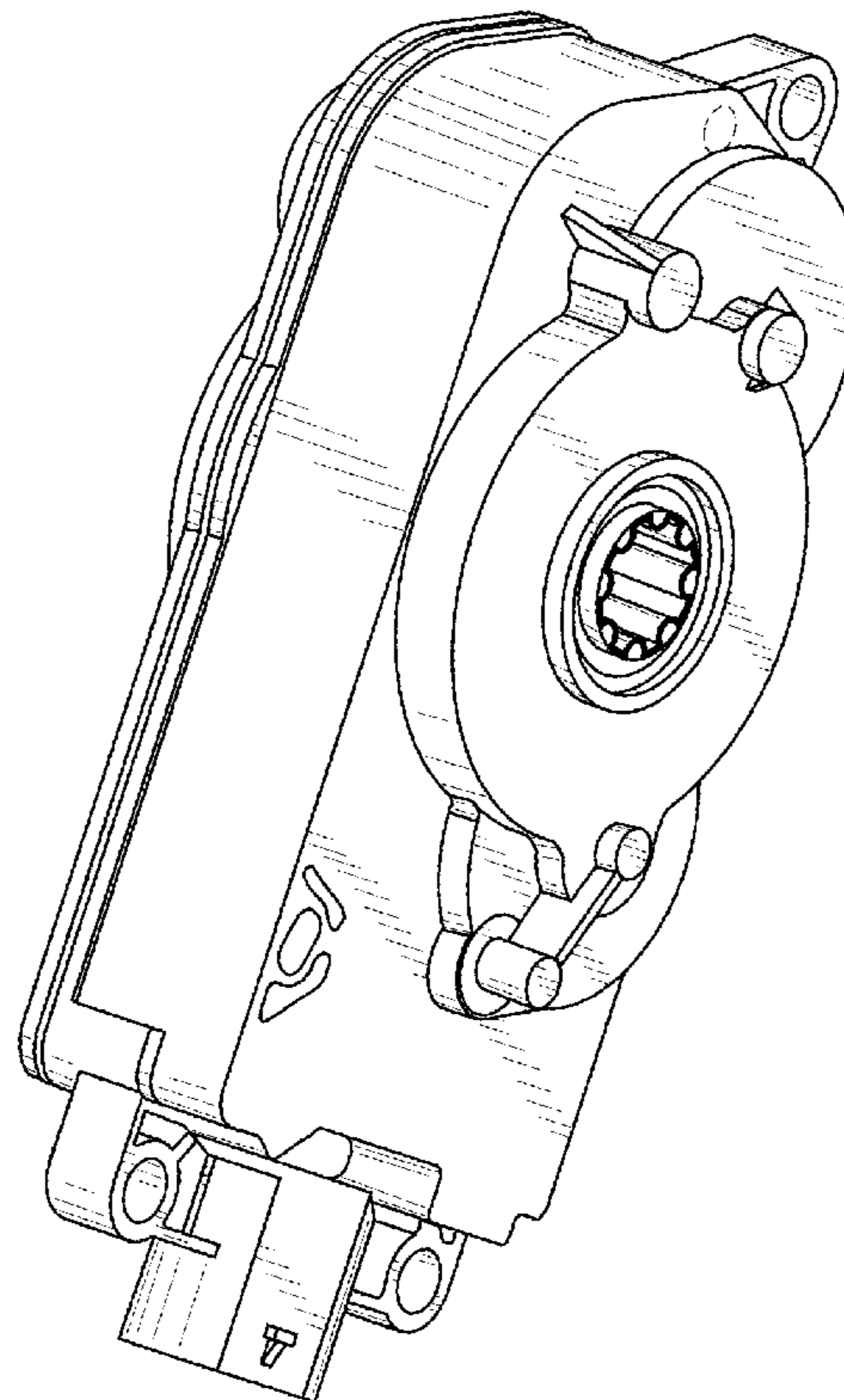
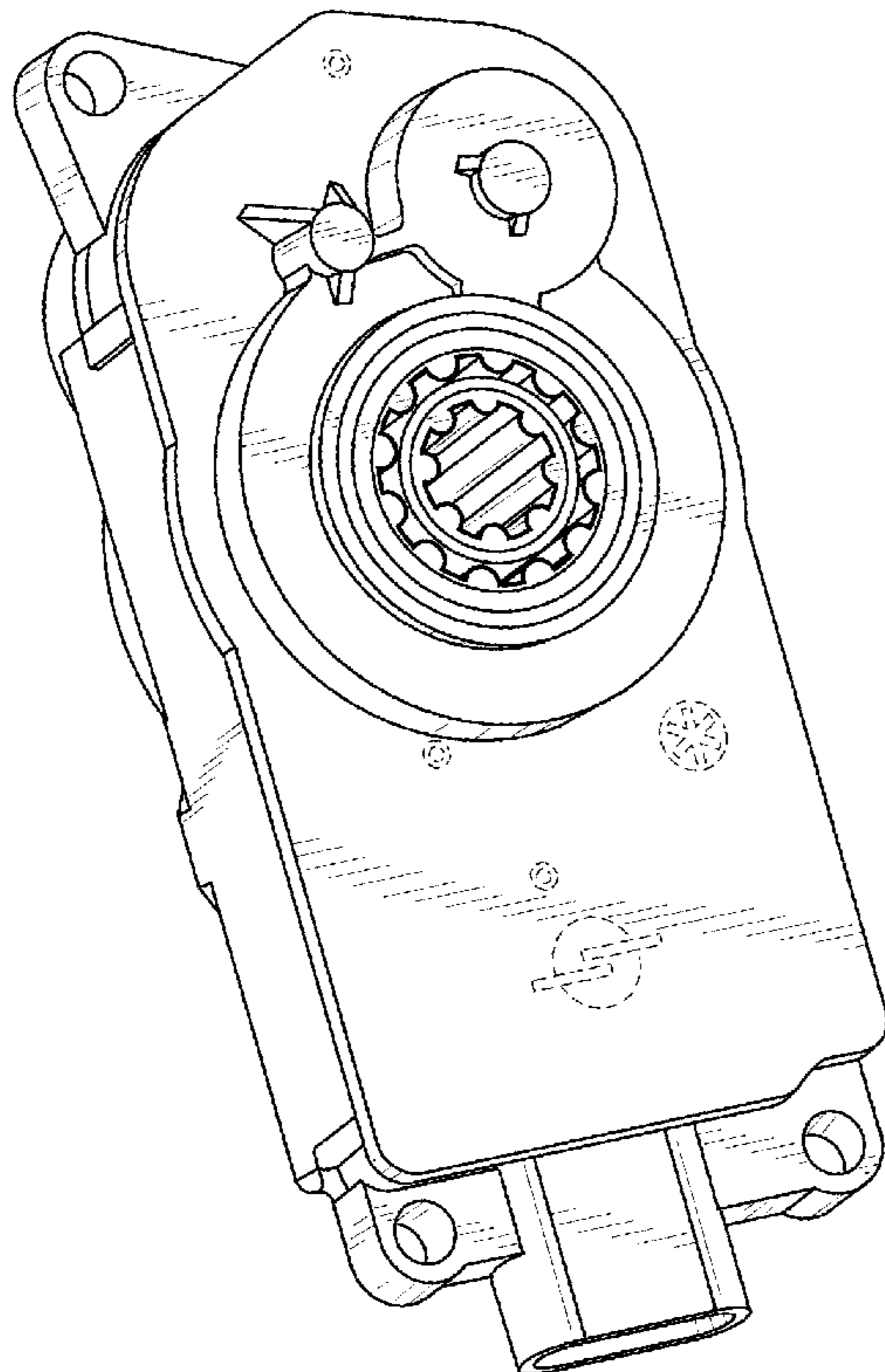
(57) **CLAIM**

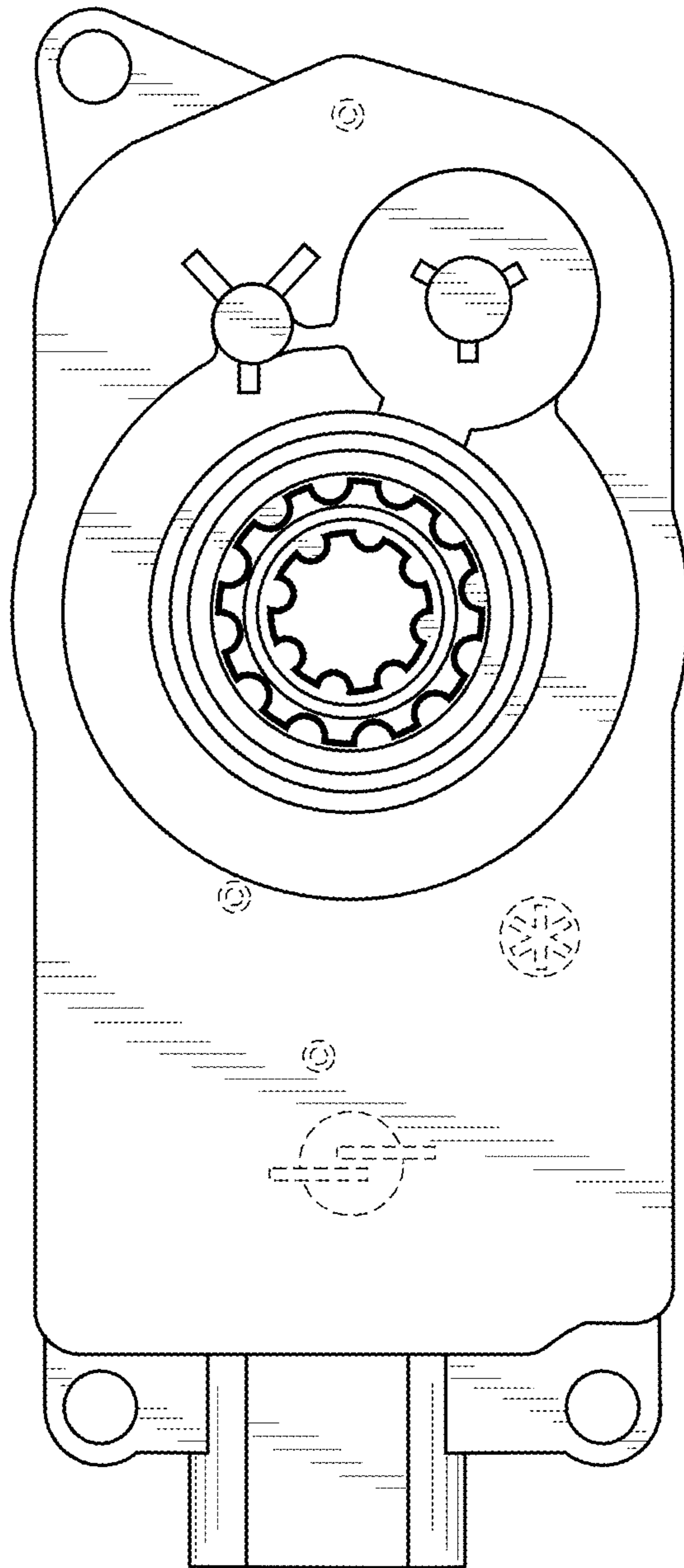
The ornamental design for a geared motor, as shown and described.

**DESCRIPTION**

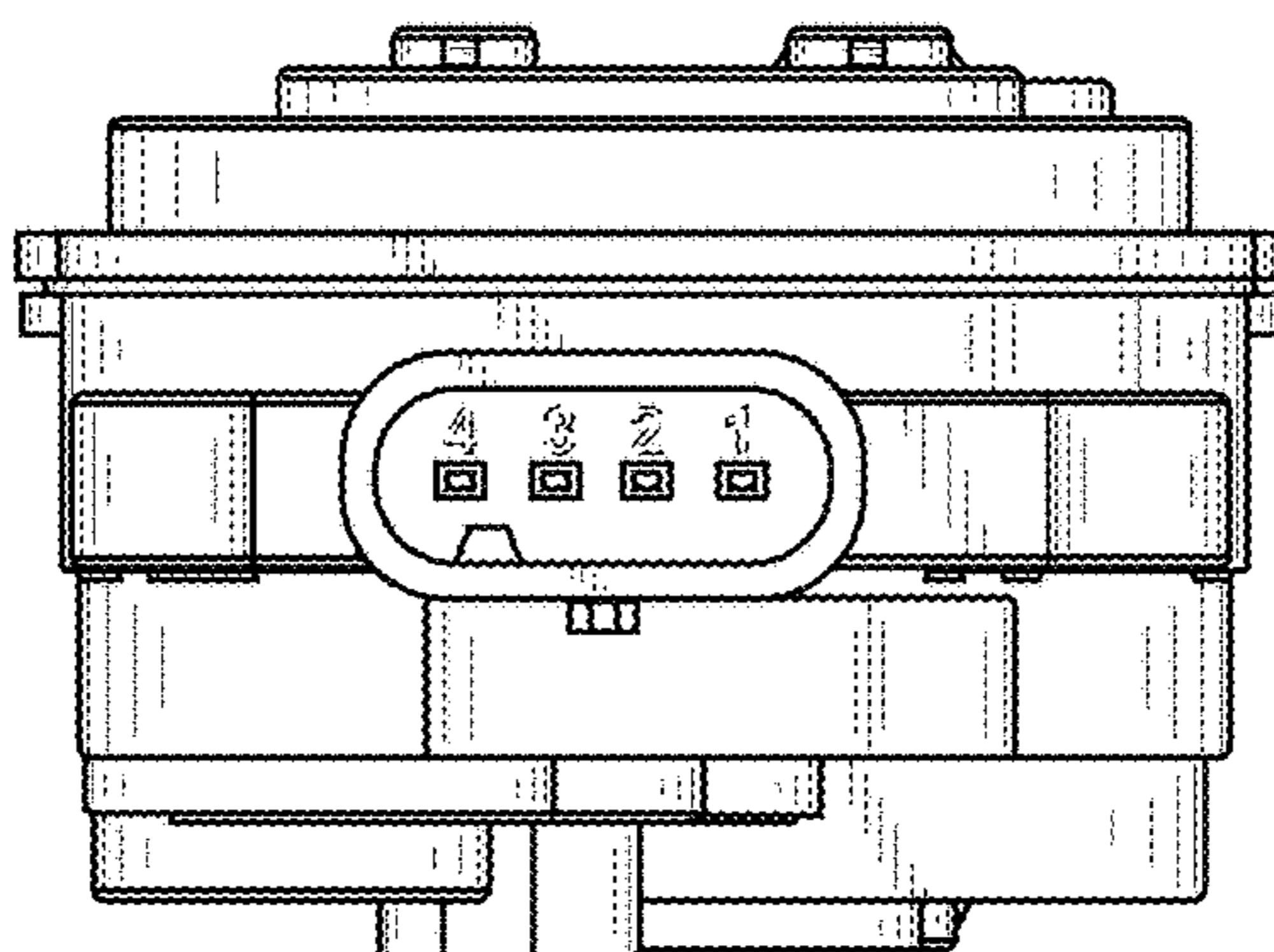
FIG. 1 is a top view of a motor showing the new design; FIG. 2 is a front view of the new design; FIG. 3 is a first side view of the new design; FIG. 4 is a rear view of the new design; FIG. 5 is a bottom view of the new design; FIG. 6 is a perspective top view of the new design; FIG. 7 is a perspective bottom view of the new design; FIG. 8 is a perspective front view of the new design; and, FIG. 9 is a second side view of the new design. The broken lines in the drawings depict unclaimed environmental subject matter.

**1 Claim, 6 Drawing Sheets**

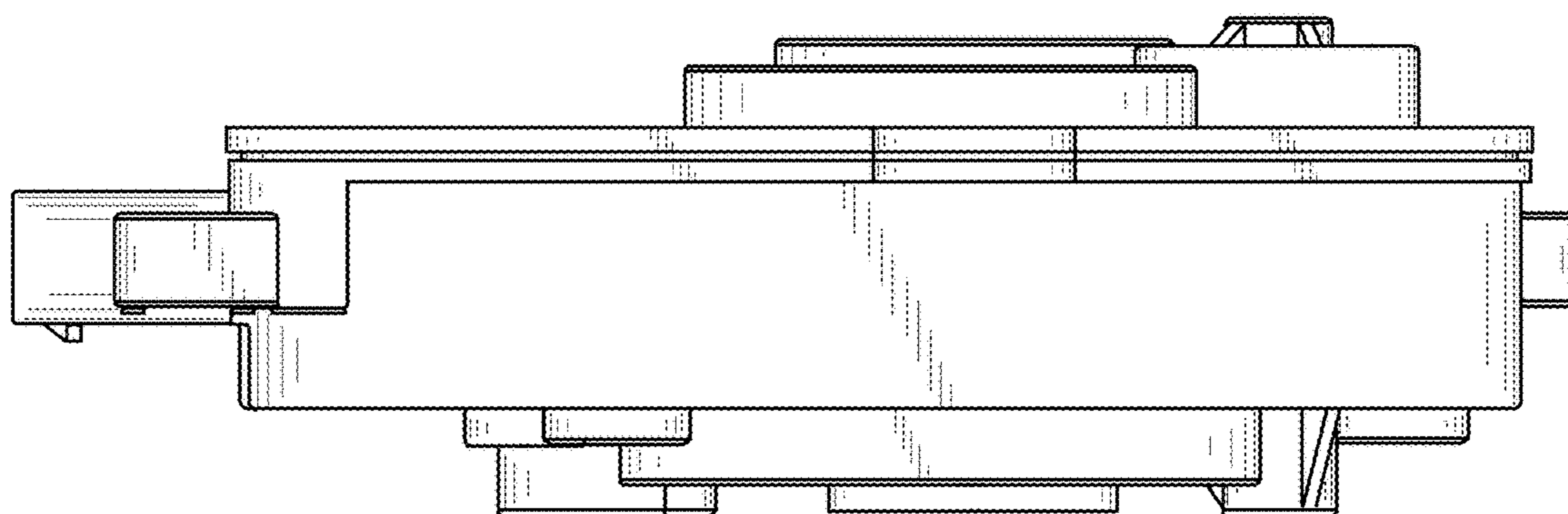




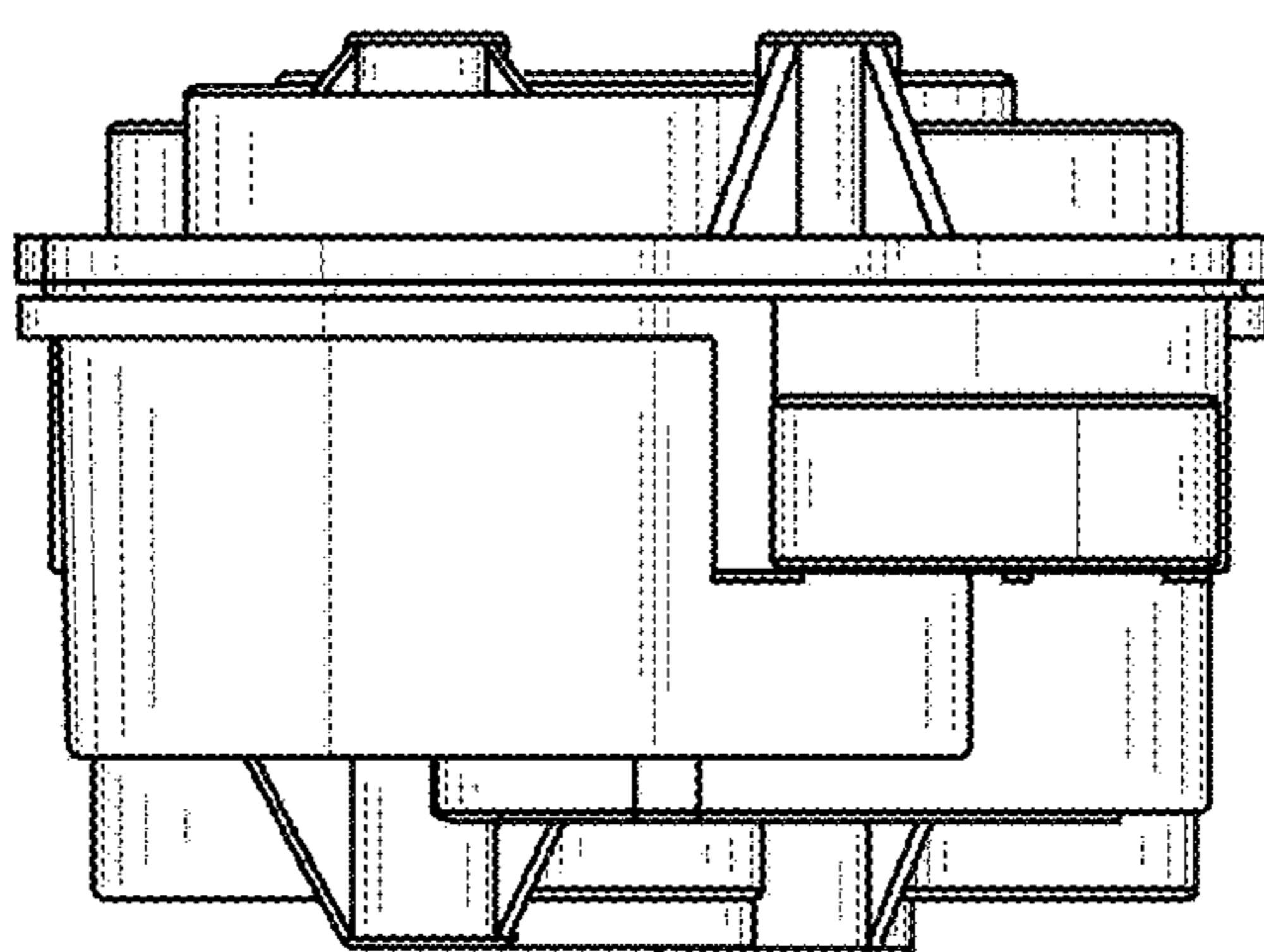
**FIG. 1**



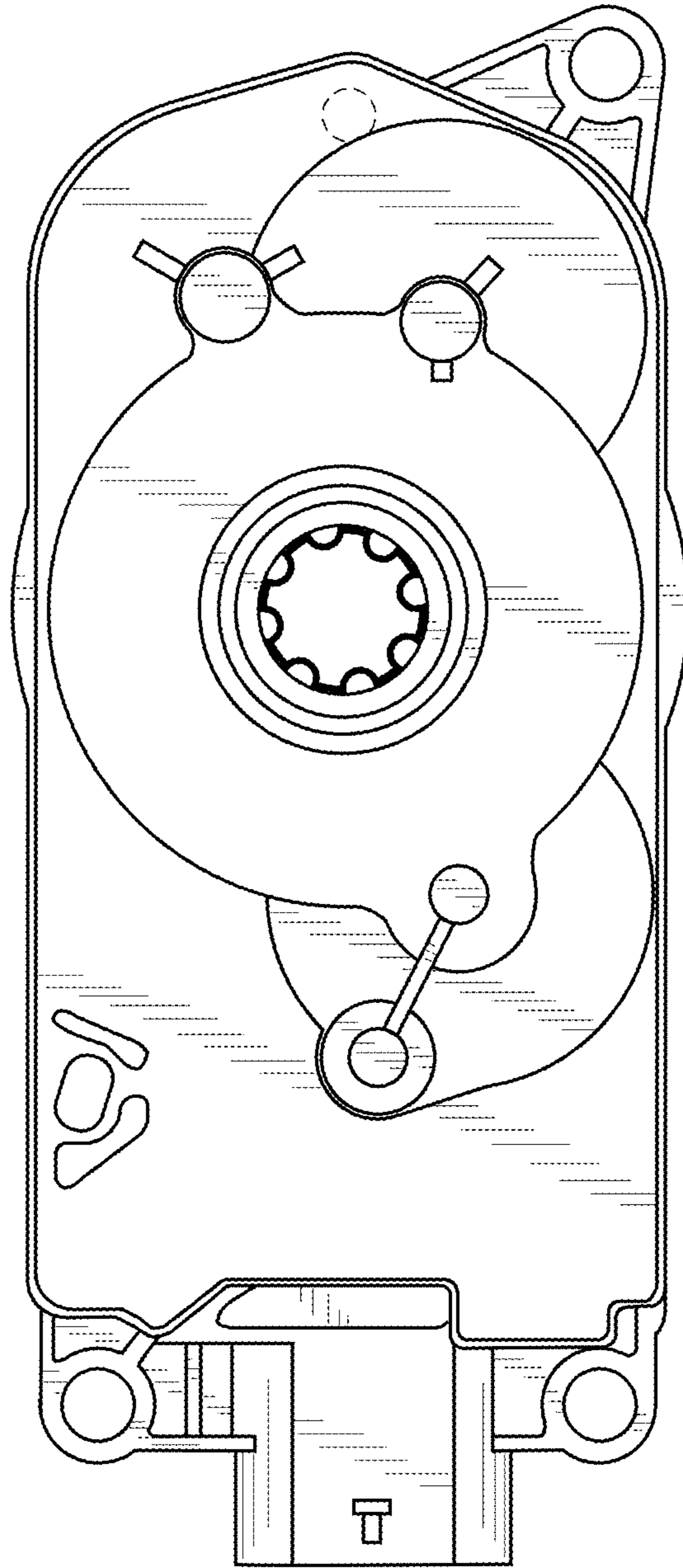
**FIG. 2**



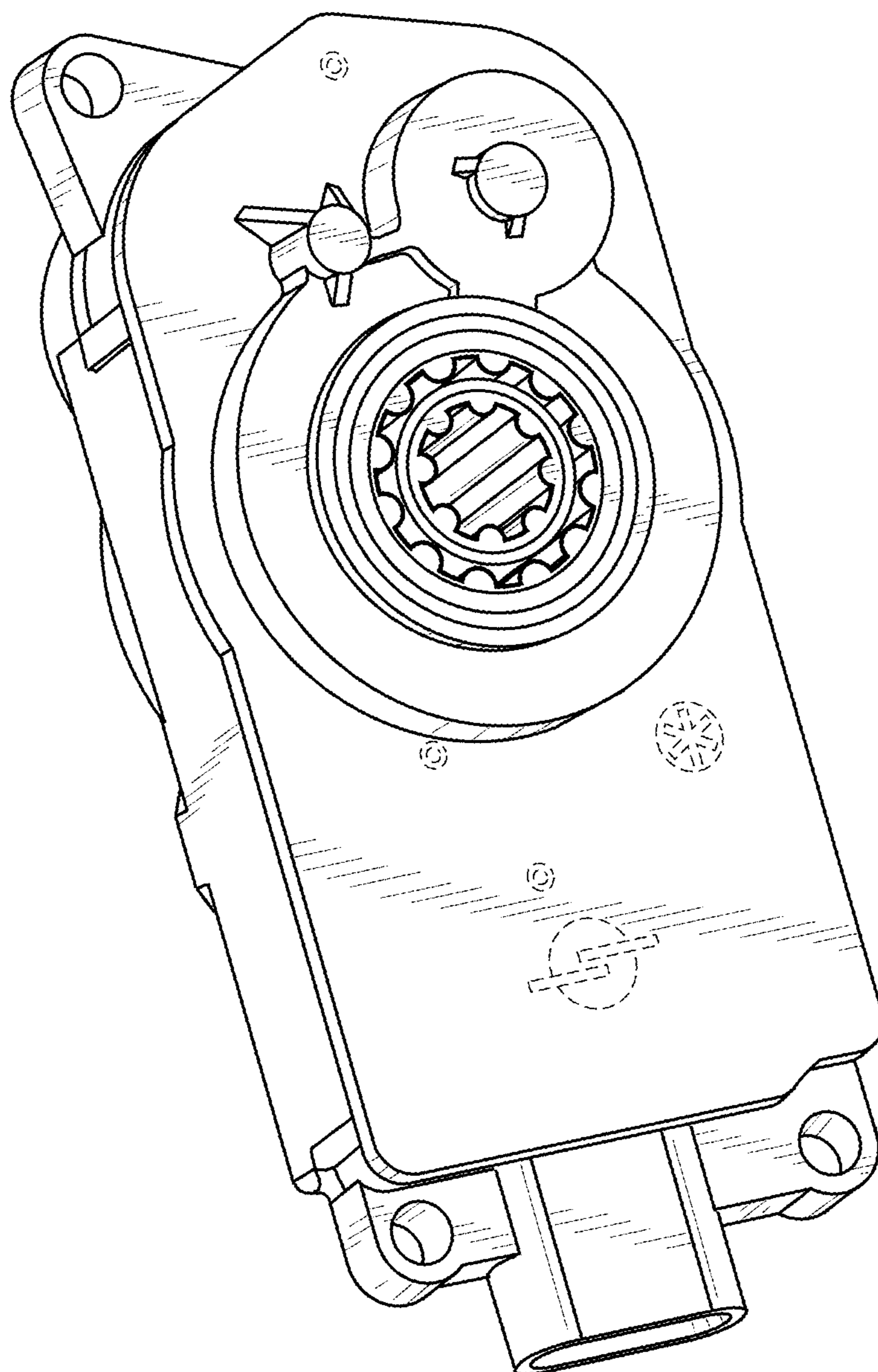
**FIG. 3**



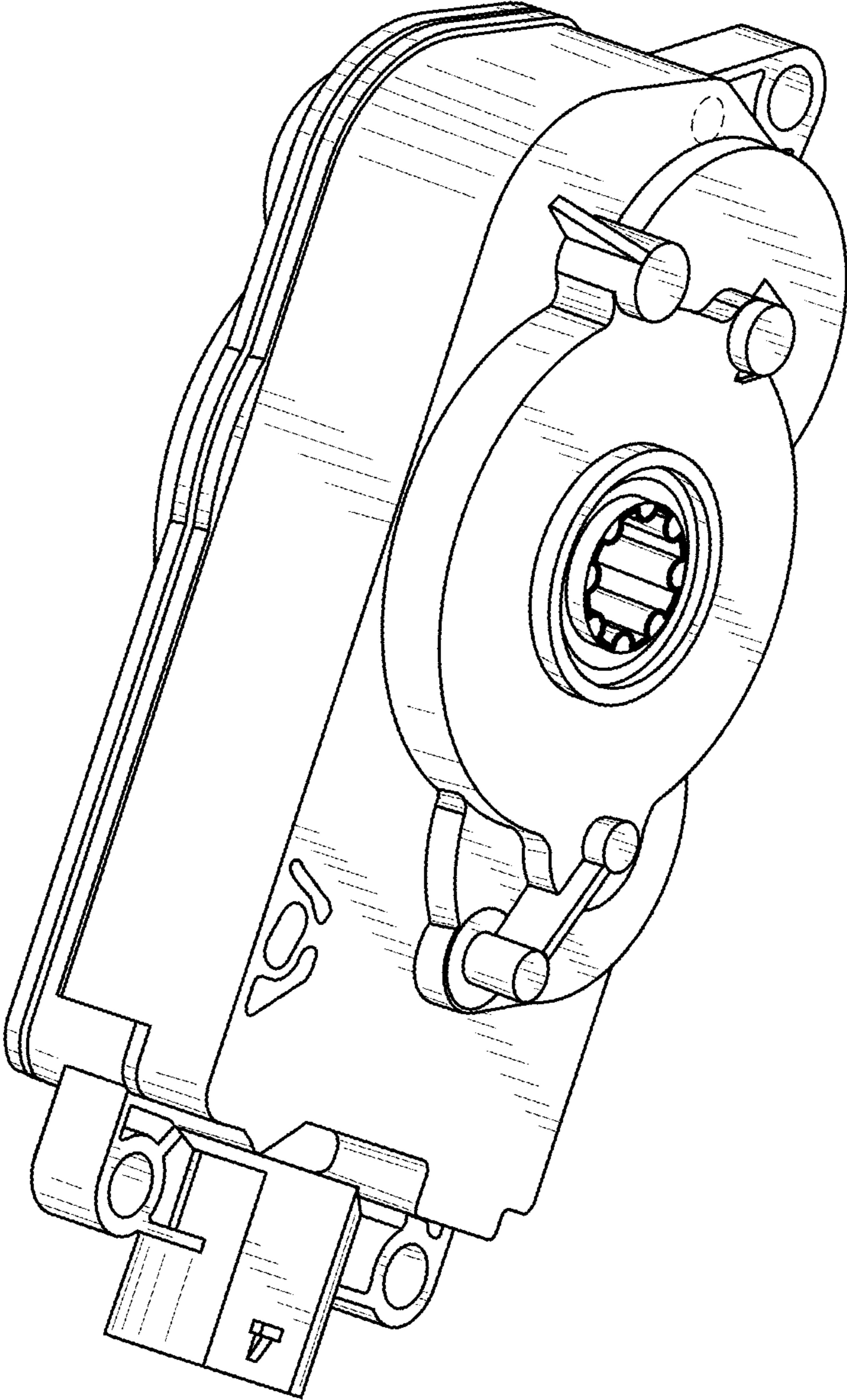
**FIG. 4**



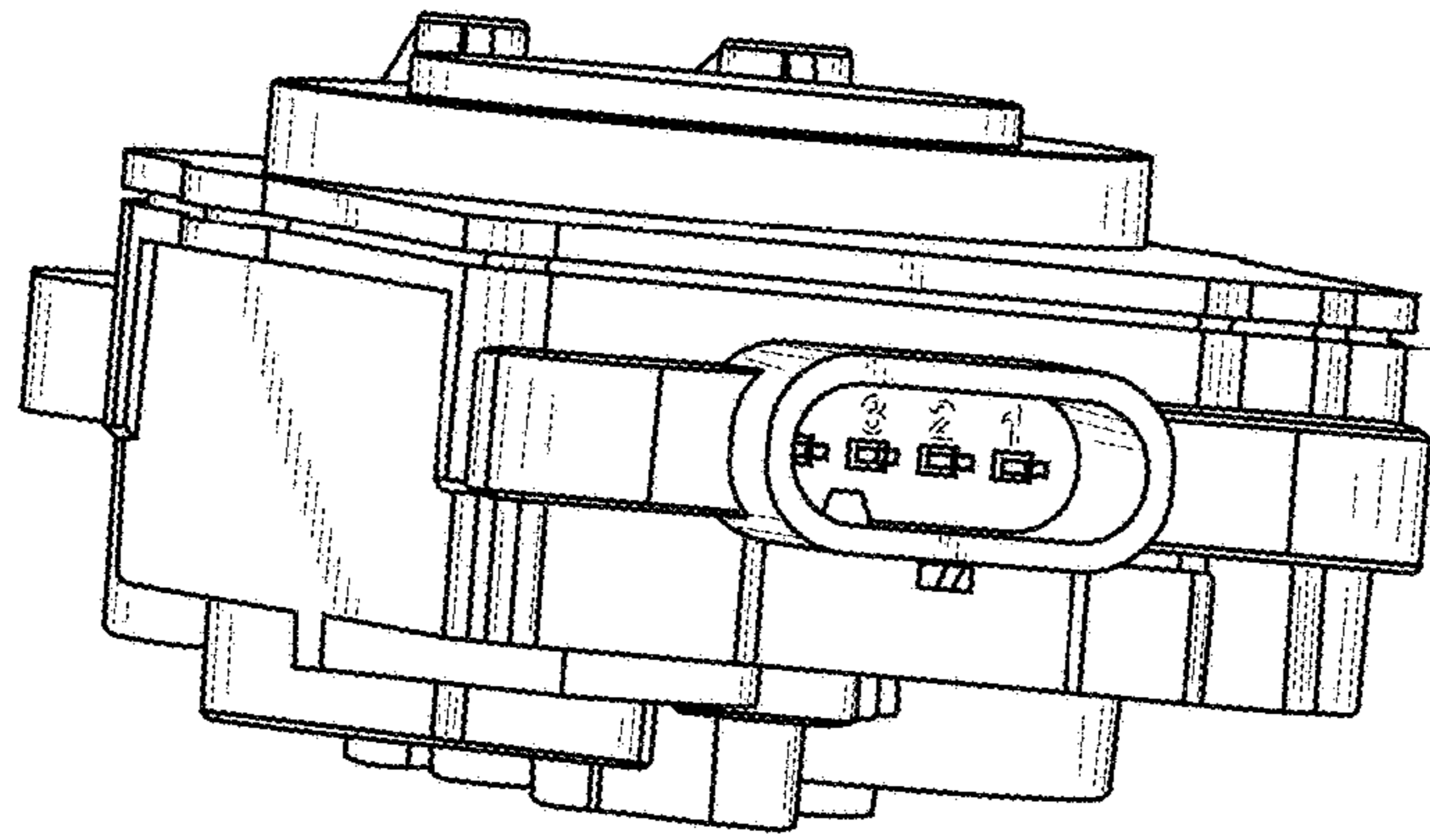
**FIG. 5**



**FIG. 6**



**FIG. 7**



**FIG. 8**



**FIG. 9**