



US00D808451S

(12) **United States Design Patent**
Ebner

(10) **Patent No.:** **US D808,451 S**

(45) **Date of Patent:** **** Jan. 23, 2018**

(54) **GEARING**

(71) Applicant: **Wittenstein SE**, Igersheim (DE)

(72) Inventor: **Siegfried Ebner**, Zell am See (AT)

(73) Assignee: **Wittenstein SE**, Igersheim (DE)

(**) Term: **15 Years**

(21) Appl. No.: **29/582,201**

(22) Filed: **Oct. 26, 2016**

(30) **Foreign Application Priority Data**

Sep. 27, 2016 (EM) 003396670

(51) **LOC (11) Cl.** **15-09**

(52) **U.S. Cl.**
USPC **D15/148**

(58) **Field of Classification Search**
USPC D12/80; D15/148, 149
CPC F16D 41/07; F16D 41/061-41/064; F16D
41/066; F16D 41/067; F16D 41/105;
F16H 1/28; F16H 1/46; F16H 57/029;
F16H 57/033; F16H 57/0482; F16H
57/082

See application file for complete search history.

(56) **References Cited**

U.S. PATENT DOCUMENTS

D479,541 S * 9/2003 Lannoch D15/148
D479,542 S * 9/2003 Lannoch D15/148
D497,374 S * 10/2004 Wittenstein D15/148
D514,607 S * 2/2006 Wittenstein D15/148
D529,527 S * 10/2006 Kinoshita D15/148
D529,939 S * 10/2006 Wilhelm D15/148
D533,204 S * 12/2006 Kinoshita D15/149

D543,565 S * 5/2007 Kopecki D15/149
D598,938 S * 8/2009 Mijno D15/148
D604,347 S * 11/2009 Wittenstein D15/149
D618,262 S * 6/2010 Siegfried D15/148
D618,263 S * 6/2010 Siegfried D15/148
D619,631 S * 7/2010 Otsuka D15/149
D703,253 S * 4/2014 Lannoch D15/148
D704,756 S * 5/2014 Voelker D15/148
8,950,565 B2 * 2/2015 Adams F16D 41/105
192/12 B
D740,867 S * 10/2015 Barta D15/148
D770,551 S * 11/2016 Heilemann D15/148
D771,729 S * 11/2016 Heilemann D15/148
D777,815 S * 1/2017 Ebner D15/148
2004/0166986 A1 * 8/2004 Bayer F16H 1/28
475/331
2006/0096412 A1 * 5/2006 Wittenstein F16H 1/28
74/606 R

* cited by examiner

Primary Examiner — Patricia Palasik

(74) *Attorney, Agent, or Firm* — Bachman & LaPointe,
PC

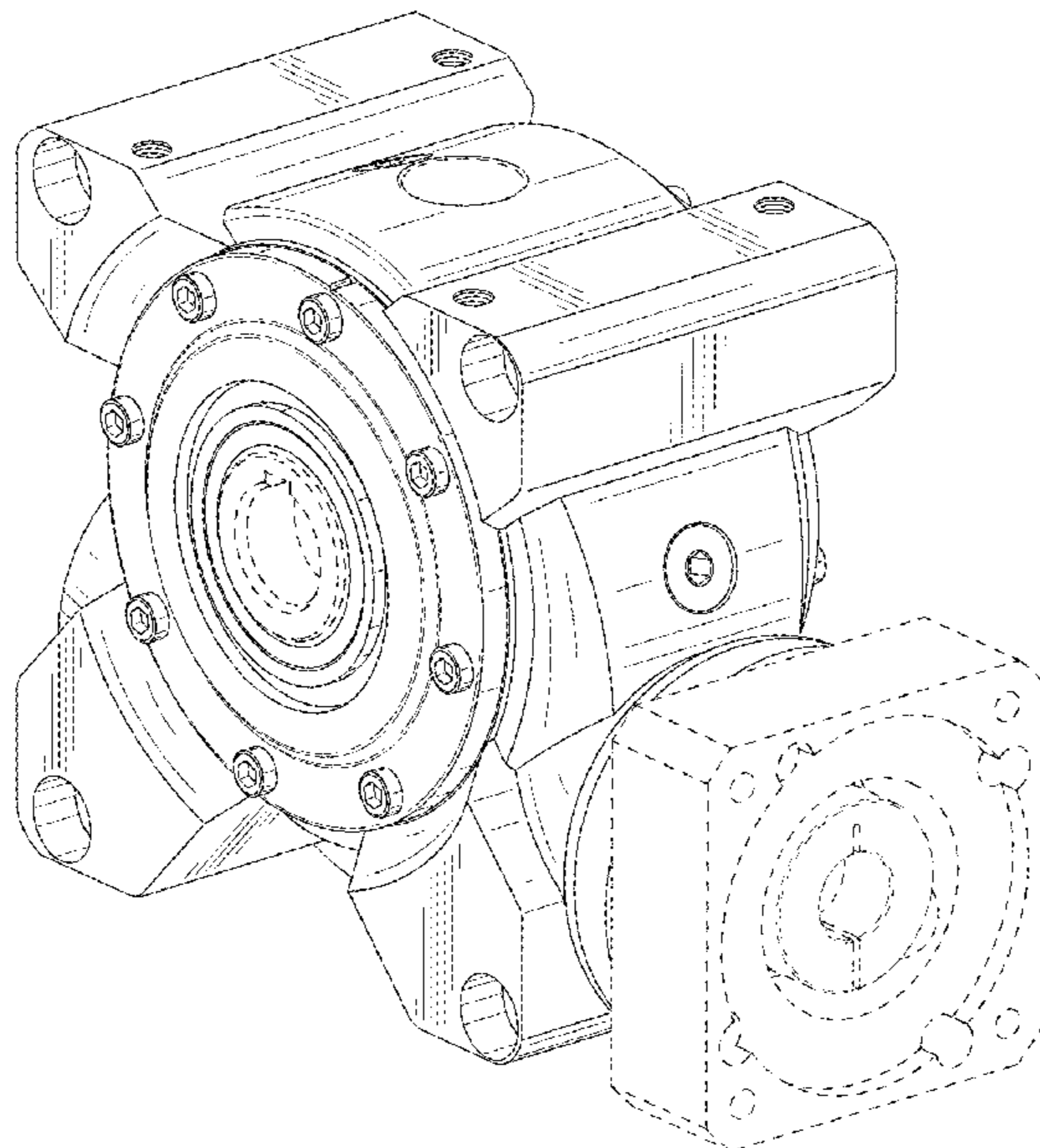
(57) **CLAIM**

The ornamental design of a gearing, as shown and described.

DESCRIPTION

FIG. 1 is a front view showing the ornamental design of a gear in accordance with the present invention; FIG. 2 is a side view of the design of FIG. 1; FIG. 3 is a perspective view of the design of FIG. 1; FIG. 4 is a rear view of the design of FIG. 1; FIG. 5 is a top view of the design of FIG. 1; FIG. 6 is a bottom view of the design of FIG. 1; and, FIG. 7 is a reverse side view of the design of FIG. 1. The broken lines in the drawings depict unclaimed environmental subject matter.

1 Claim, 7 Drawing Sheets



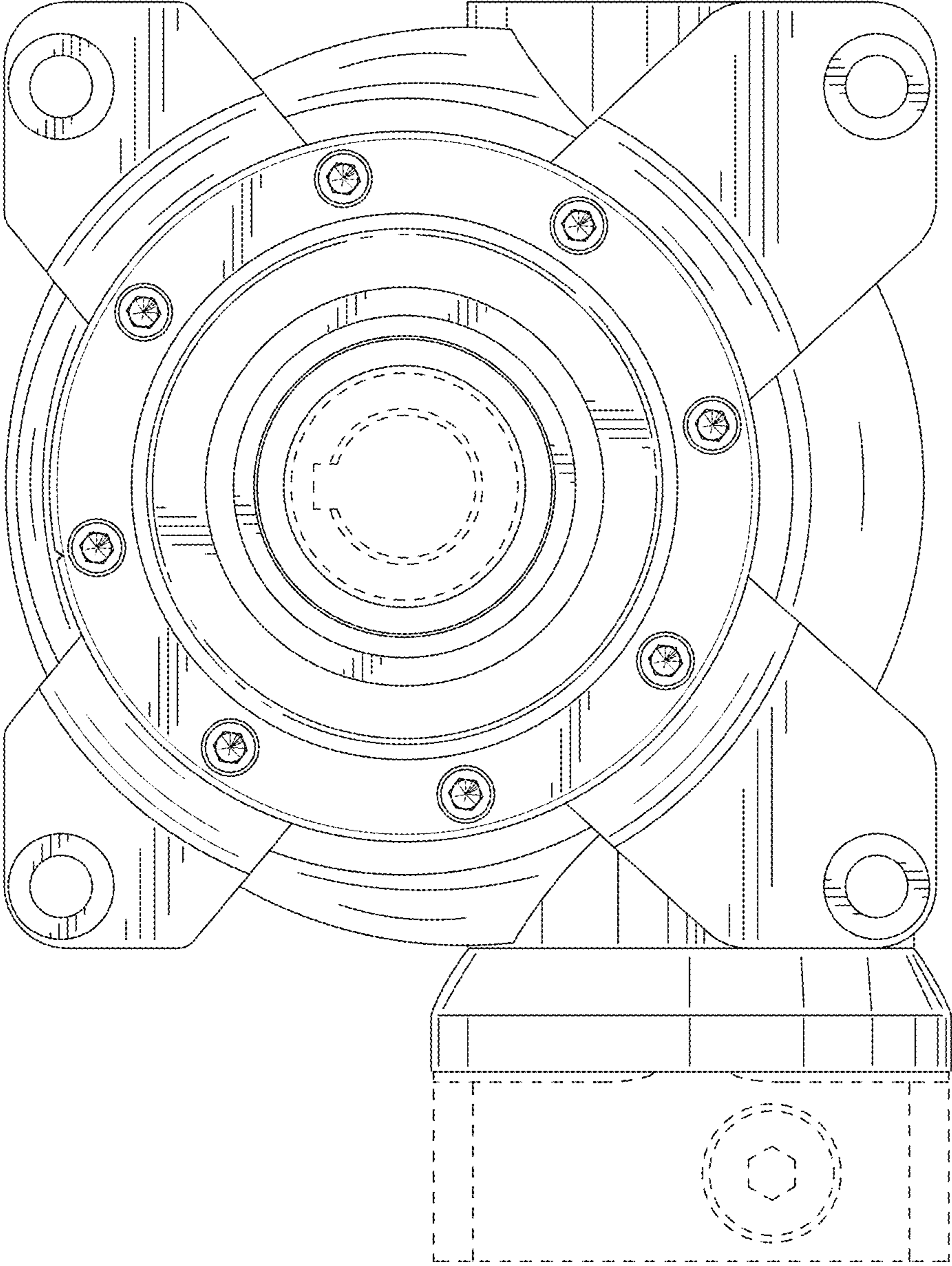


FIG. 1

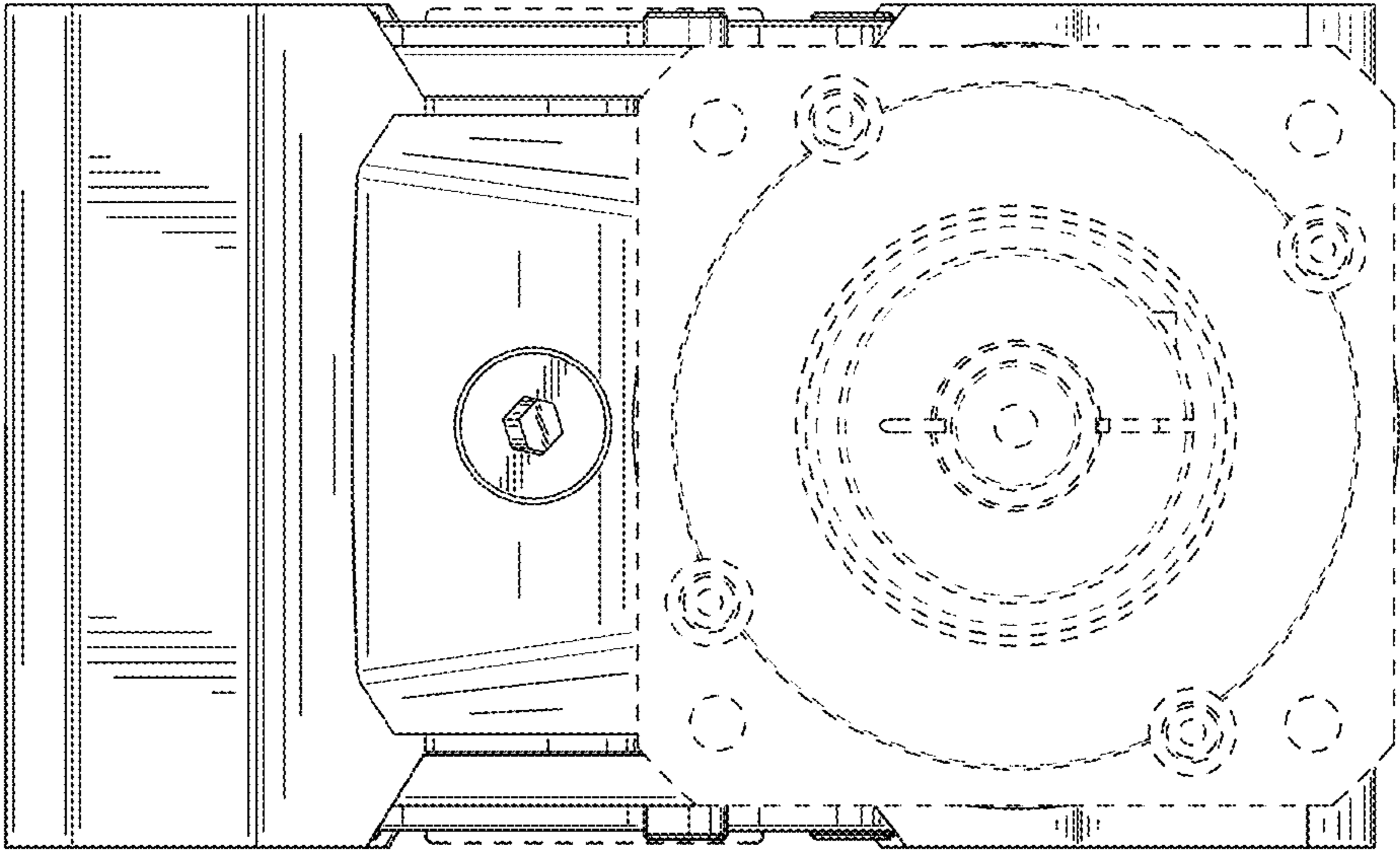


FIG. 2

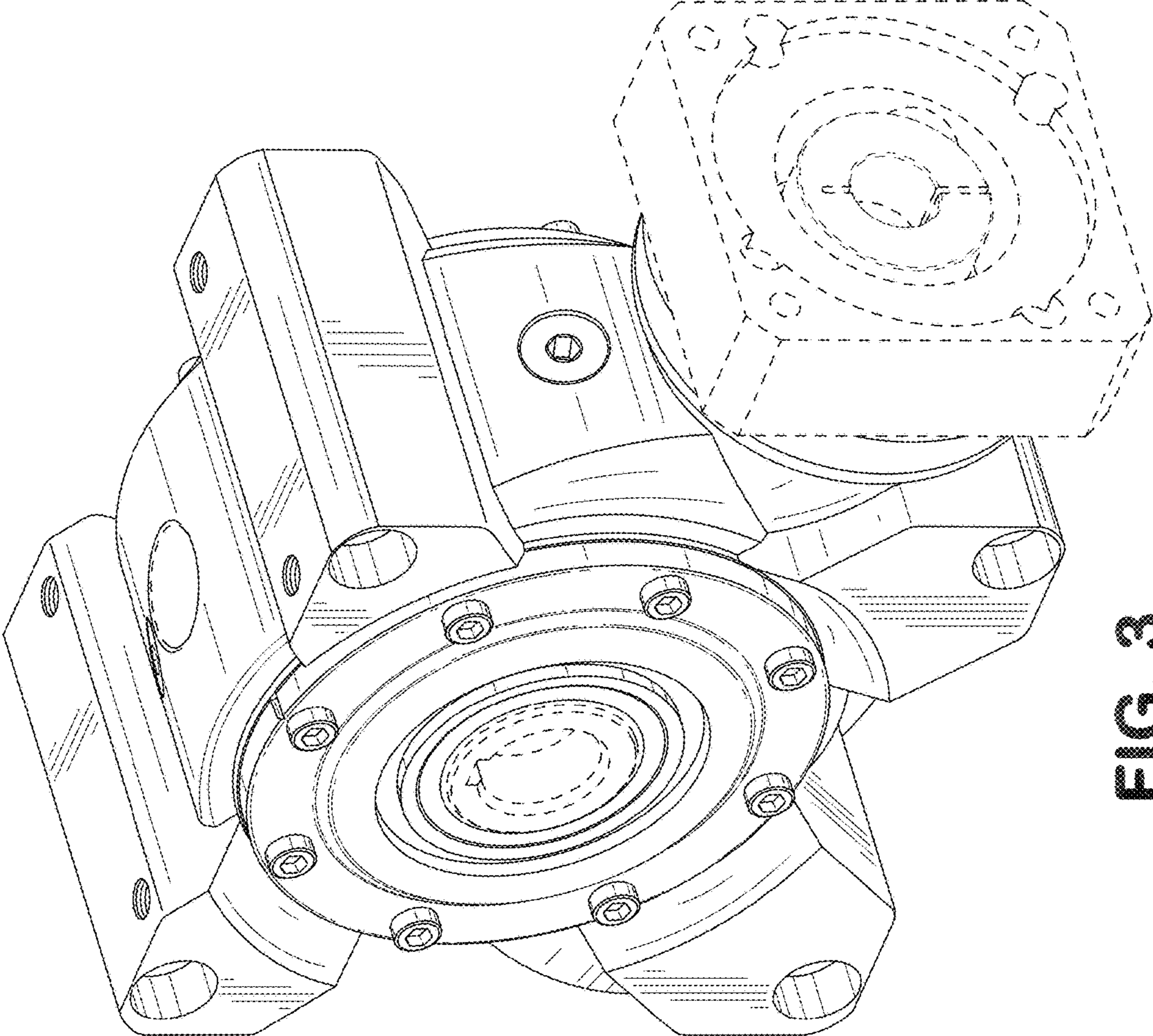


FIG. 3

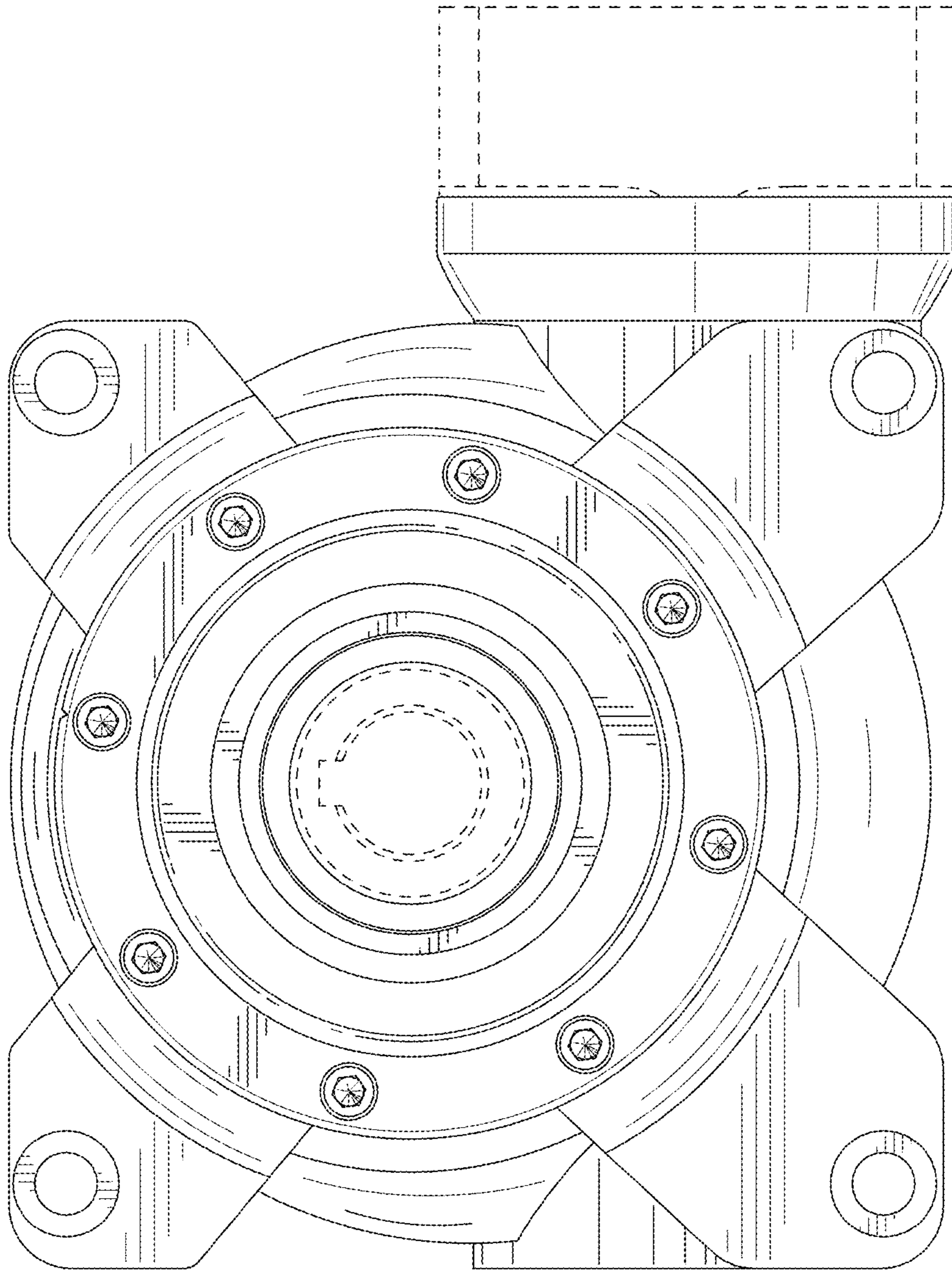


FIG. 4

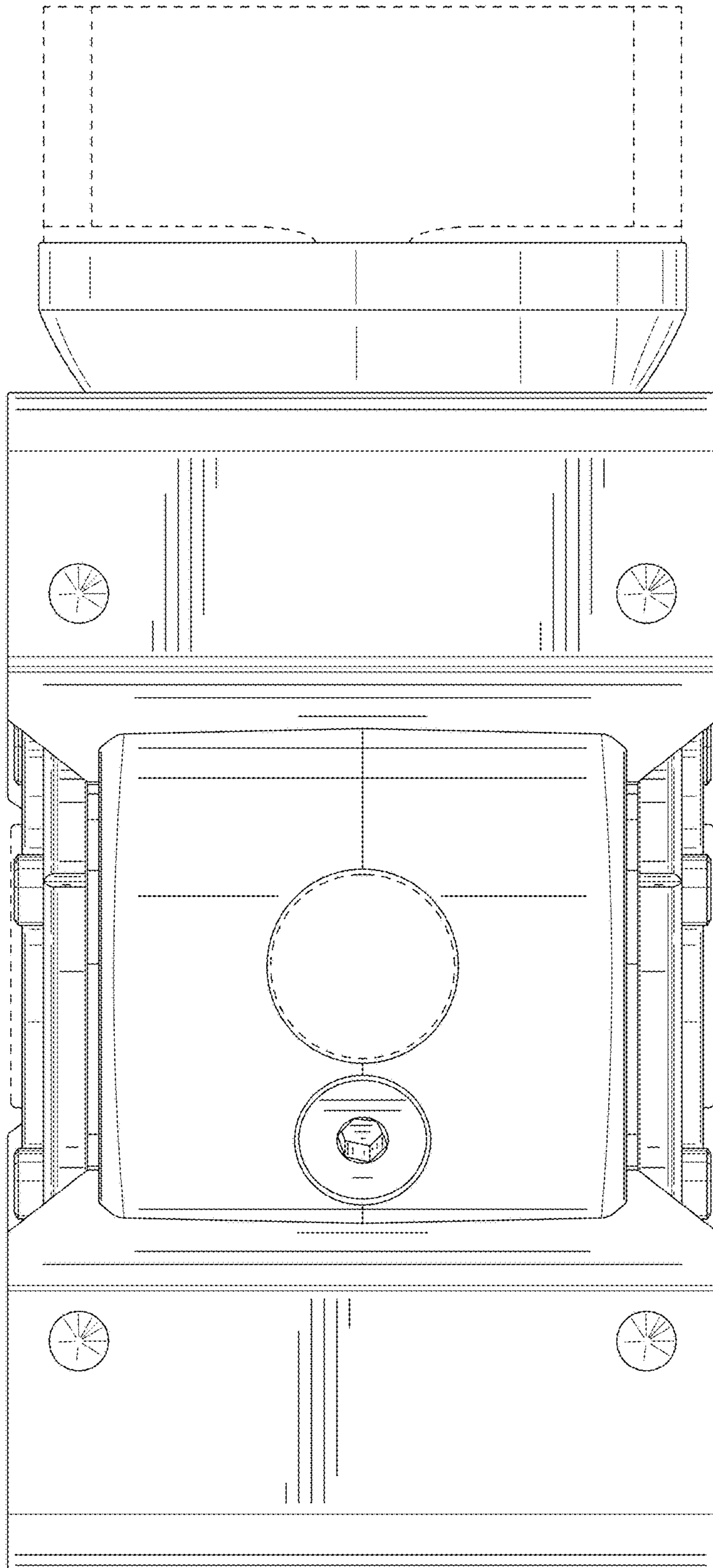


FIG. 5

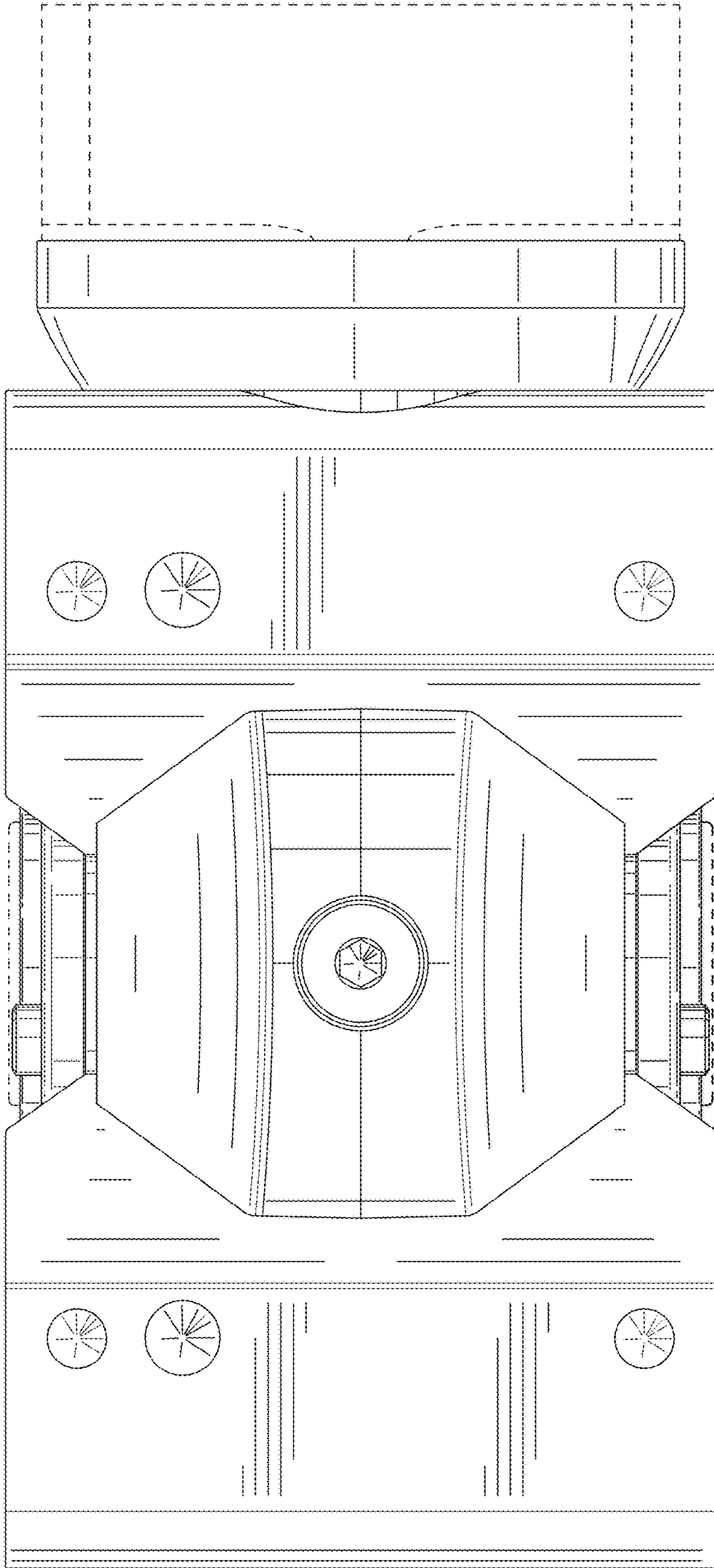


FIG. 6

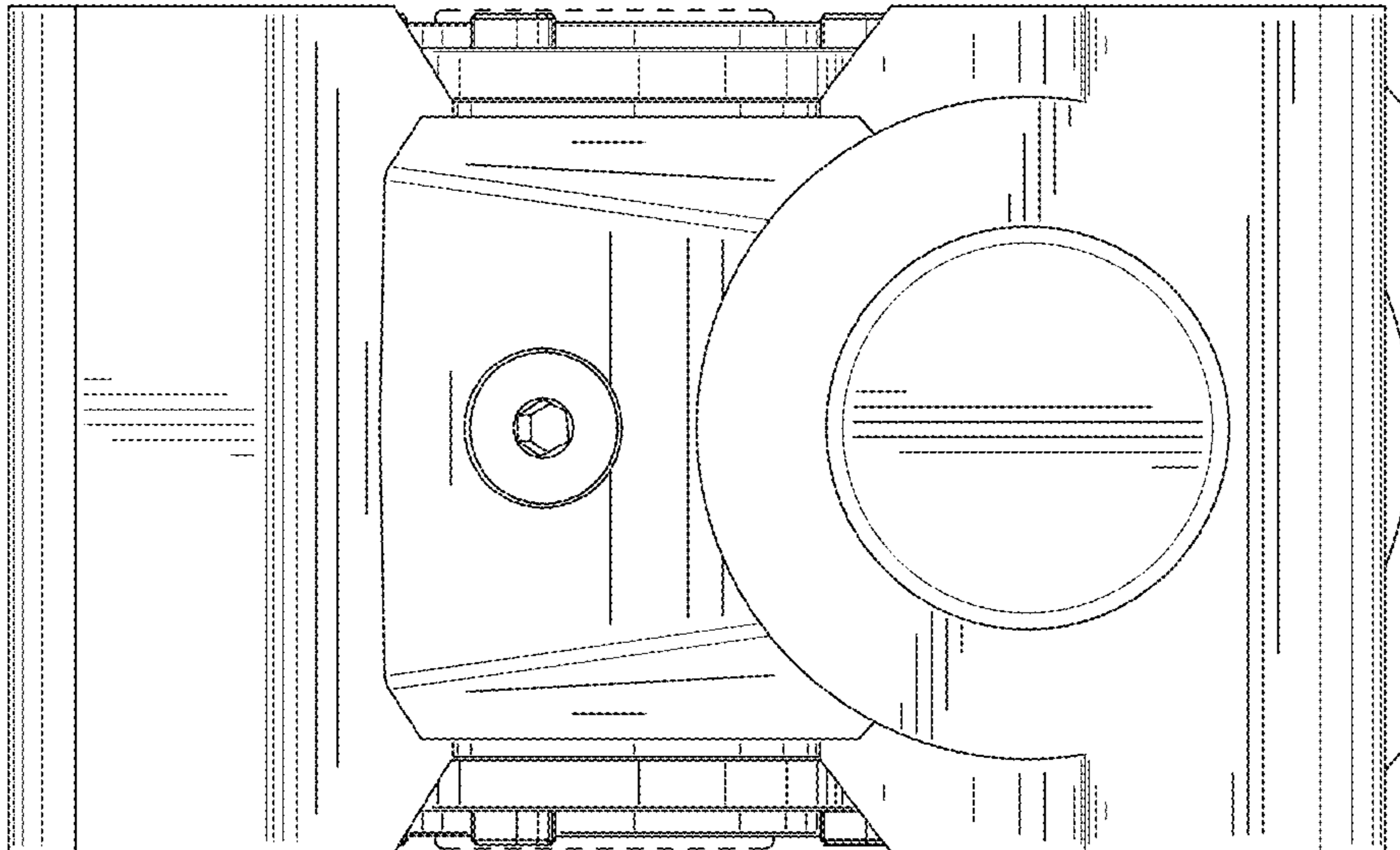


FIG. 7