



US00D808450S

(12) **United States Design Patent**  
**Woodroof**

(10) **Patent No.:** **US D808,450 S**  
(45) **Date of Patent:** **\*\* Jan. 23, 2018**

(54) **SLITTING MACHINE WHEEL ASSEMBLY**

(71) Applicant: **E. Aubrey Woodroof**, Carlsbad, CA  
(US)

(72) Inventor: **E. Aubrey Woodroof**, Carlsbad, CA  
(US)

(\*\*) Term: **15 Years**

(21) Appl. No.: **29/592,746**

(22) Filed: **Feb. 1, 2017**

2,546,102	A *	3/1951	Le Rette	.....	B24D 13/08
					15/230.15
3,324,603	A *	6/1967	Niemiec	.....	B24D 5/06
					451/450
3,662,934	A *	5/1972	Nara	.....	B26F 1/20
					225/97
3,682,028	A *	8/1972	Clayton	.....	B26F 1/24
					426/129
3,777,607	A *	12/1973	Schofield	.....	B26D 5/04
					83/482
D270,837	S *	10/1983	Legerius	.....	D15/139
D297,240	S *	8/1988	Hatanaka	.....	D15/139
4,885,964	A *	12/1989	Nielsen	.....	B26D 1/245
					83/425.3

(Continued)

**Related U.S. Application Data**

(63) Continuation of application No. 15/416,560, filed on Jan. 26, 2017, which is a continuation of application No. 14/524,752, filed on Oct. 27, 2014, now abandoned.

(51) **LOC (11) Cl.** ..... **15-09**

(52) **U.S. Cl.**  
USPC ..... **D15/139**

(58) **Field of Classification Search**  
USPC ..... D8/8, 9, 20, 90, 98; D15/127, 130-133, D15/139

CPC ... B24D 5/02; B24D 5/06; B26D 5/04; B26D 5/06; B26D 5/08; B26D 5/086; B26D 2011/005; B26F 1/20; Y10T 83/7751; Y10T 83/9403; Y10T 83/7855; Y10T 83/9464

See application file for complete search history.

(56) **References Cited**

**U.S. PATENT DOCUMENTS**

D23,323	S *	5/1894	Bender	.....	D15/126
648,791	A *	5/1900	Raynal	.....	B26D 7/1818
					30/319
2,115,897	A *	5/1938	Wooddell	.....	B24D 11/00
					451/529

*Primary Examiner* — Elizabeth A Albert

(74) *Attorney, Agent, or Firm* — Steven W. Webb

(57) **CLAIM**

I claim the ornamental design for a slitting machine wheel assembly, as shown and described.

**DESCRIPTION**

FIG. 1 is a perspective view of a slitting machine wheel assembly showing my new design.

FIG. 2 is a side elevational view thereof;

FIG. 3 is a front elevational view thereof;

FIG. 4 is a detail view of a portion of FIG. 1;

FIG. 5 is a perspective view of one of the components thereof, shown without the other parts for convenience;

FIG. 6 is a side elevational view thereof;

FIG. 7 is a front elevational view thereof;

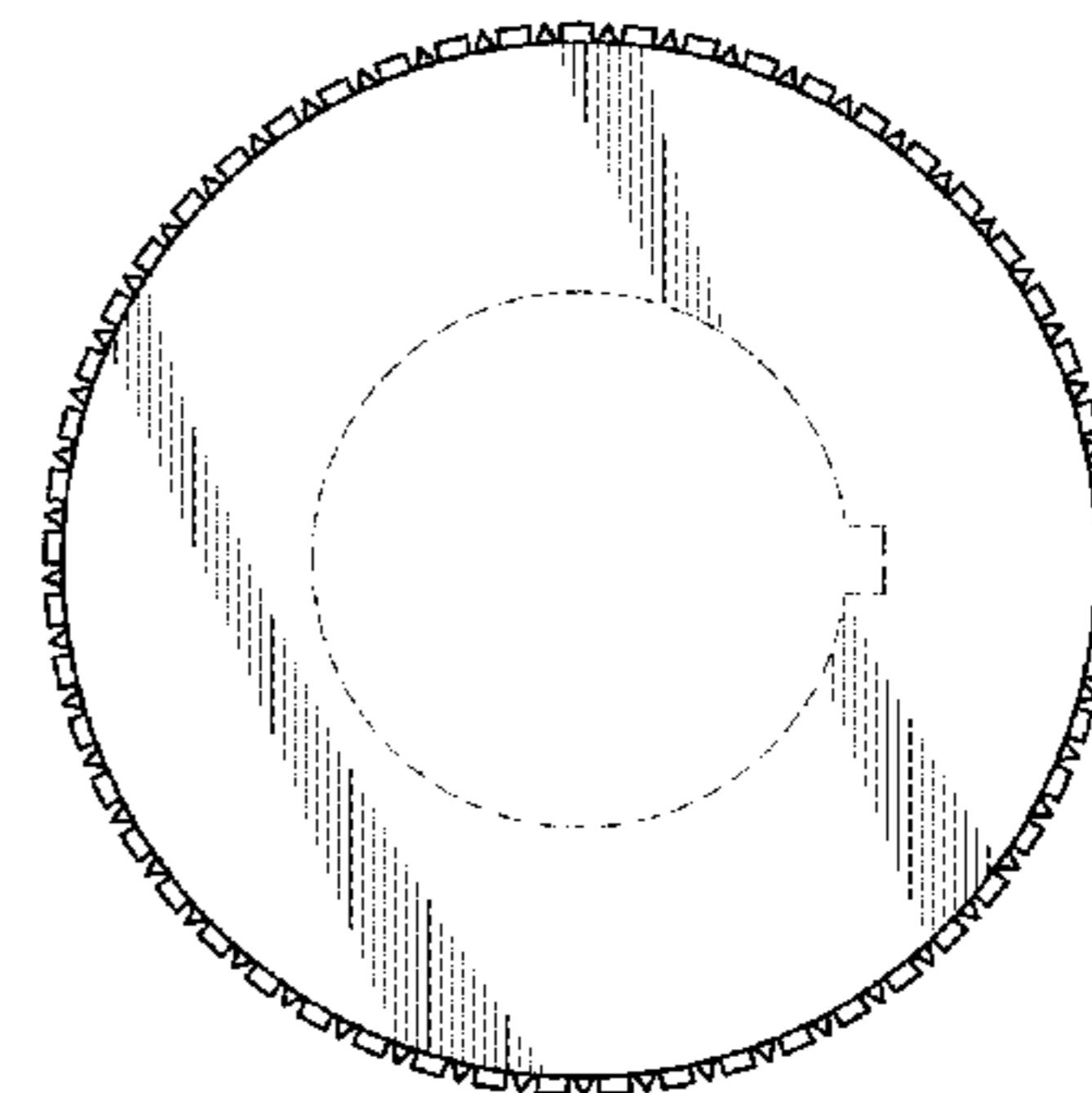
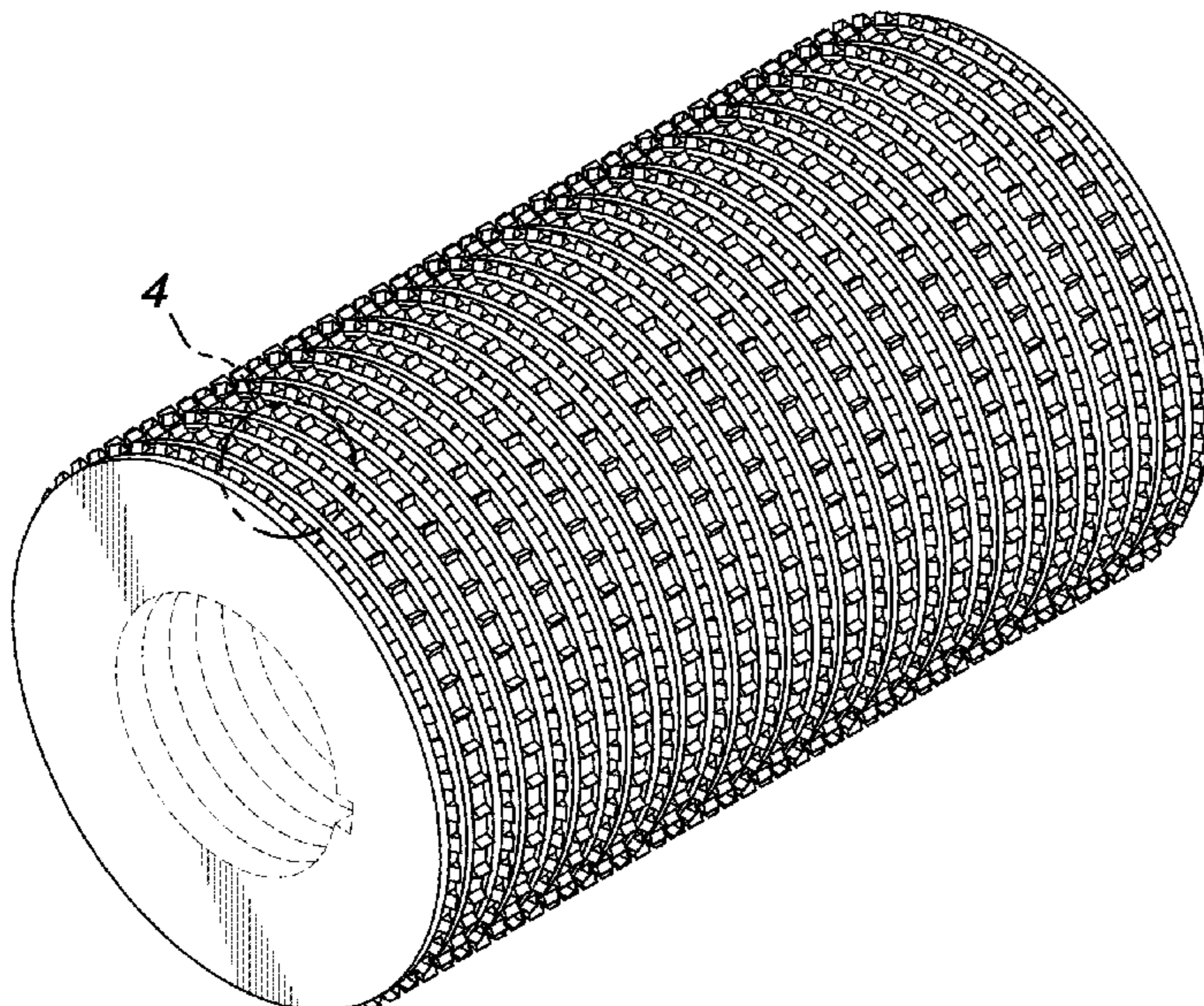
FIG. 8 is a perspective view of another of the components thereof, shown without the other parts for convenience;

FIG. 9 is a side elevational view thereof; and,

FIG. 10 is a front elevational view thereof.

The broken lines in the drawings are included for the purpose of showing portions that form no part of the claimed design.

**1 Claim, 5 Drawing Sheets**



(56)

**References Cited**

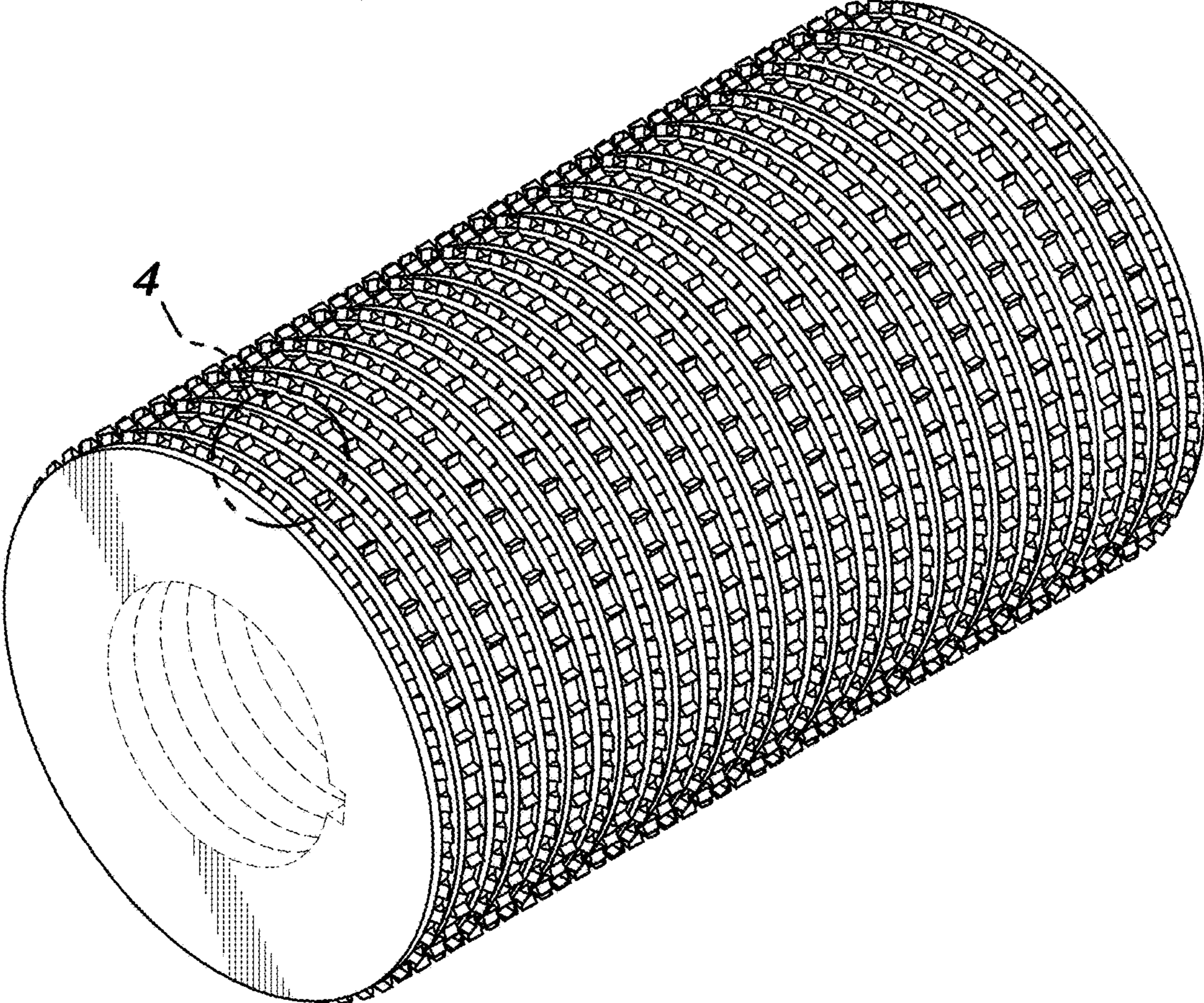
U.S. PATENT DOCUMENTS

5,151,077 A \* 9/1992 Cole, Jr. .... B26F 1/24  
493/353  
D333,311 S \* 2/1993 Davis ..... D15/127  
D417,598 S \* 12/1999 Dibbern ..... D8/70  
D421,704 S \* 3/2000 Hasegawa ..... D15/139  
6,309,292 B1 \* 10/2001 Montabaur ..... B24D 3/22  
451/541  
7,261,622 B2 \* 8/2007 Hawkins ..... B24B 9/18  
451/344  
D593,584 S \* 6/2009 Wilson ..... D15/133  
D631,626 S \* 1/2011 Raddick ..... D32/25  
8,007,347 B1 \* 8/2011 Lampka ..... B24B 23/02  
451/358  
D675,652 S \* 2/2013 Soyama ..... D15/139  
D675,653 S \* 2/2013 Soyama ..... D15/139  
D746,654 S \* 1/2016 Gillet ..... D8/70  
2011/0041661 A1 \* 2/2011 Kouchi ..... B23D 45/18  
83/13

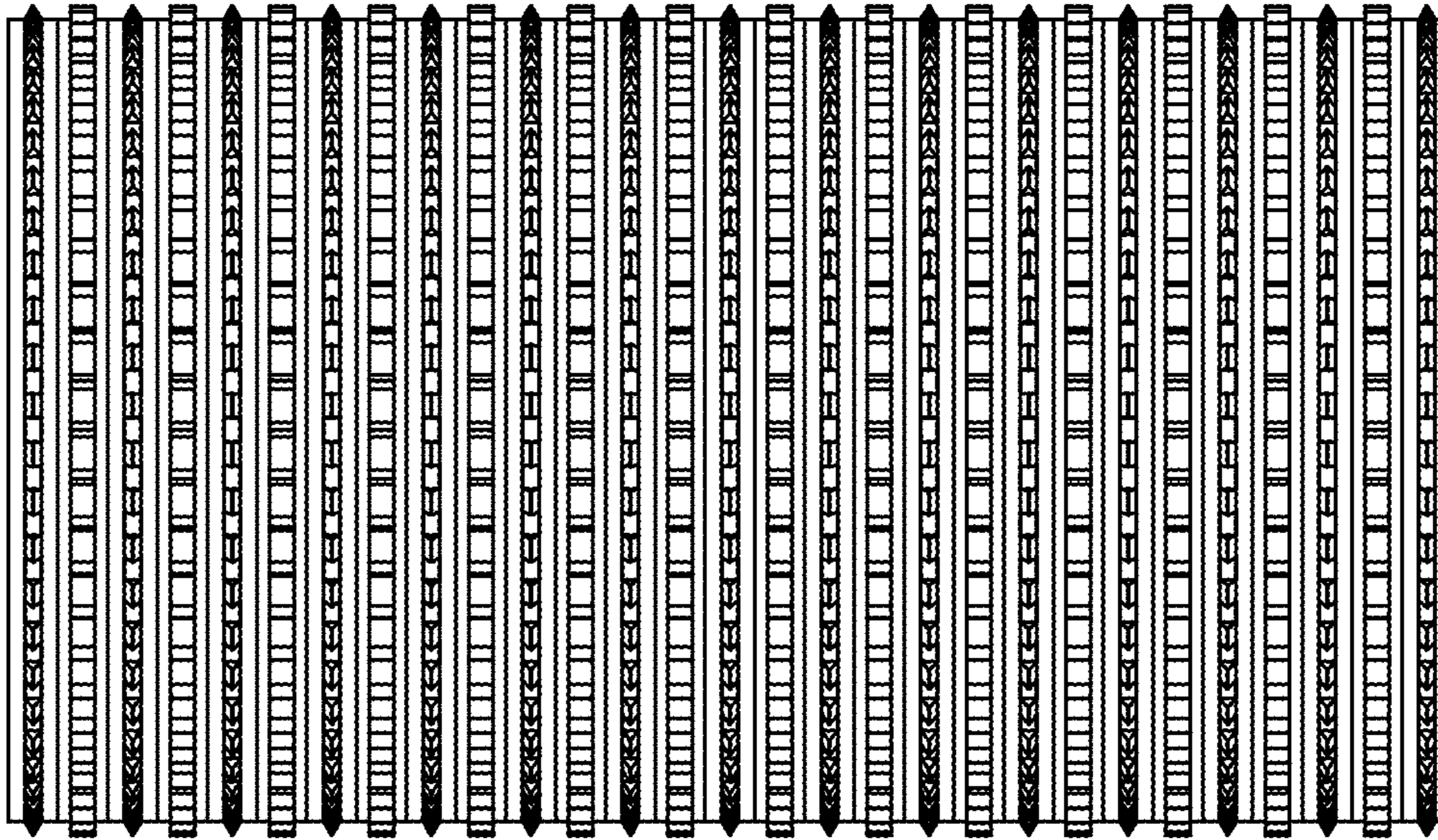
\* cited by examiner



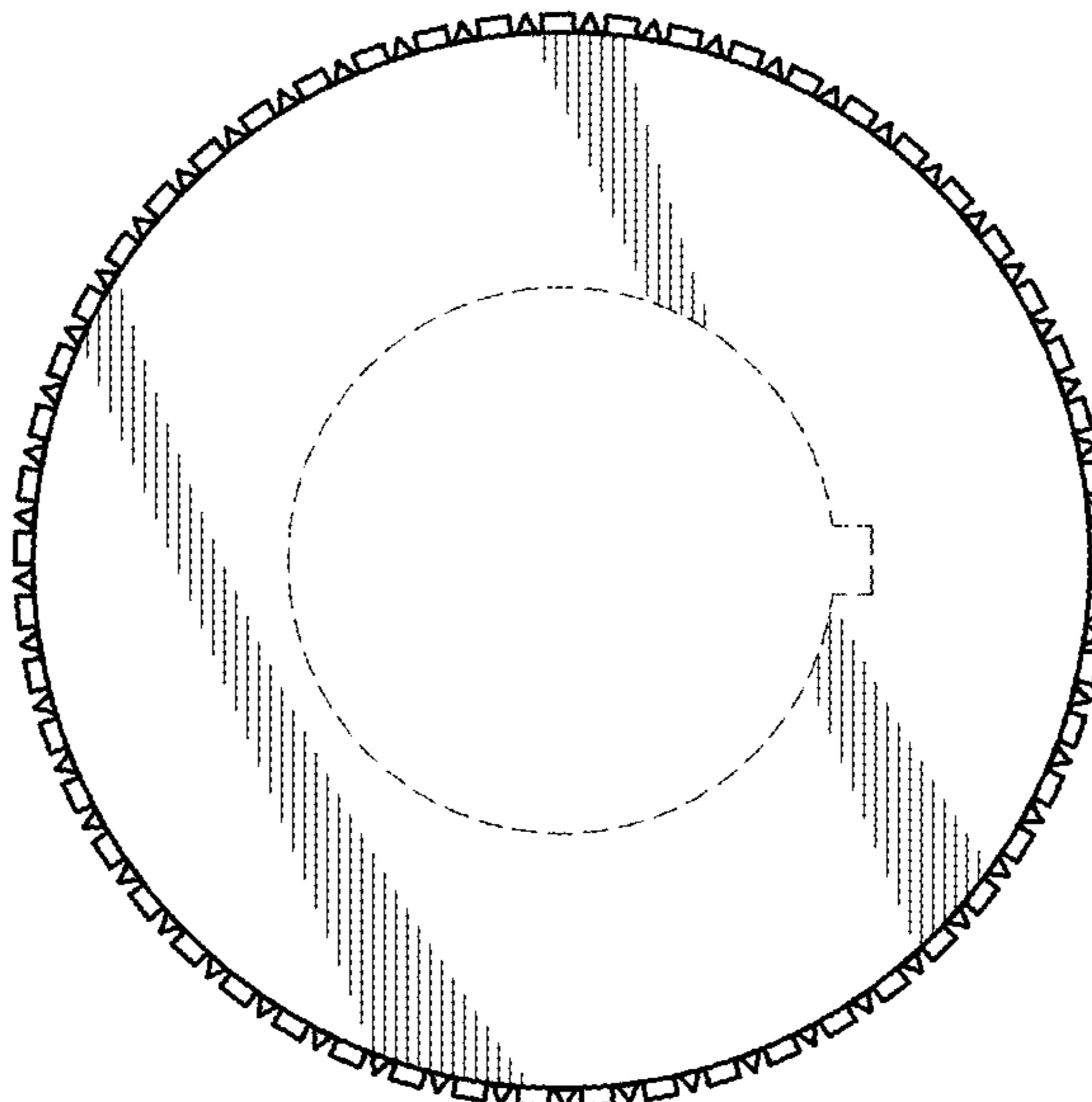
**FIG. 1**



*FIG. 2*

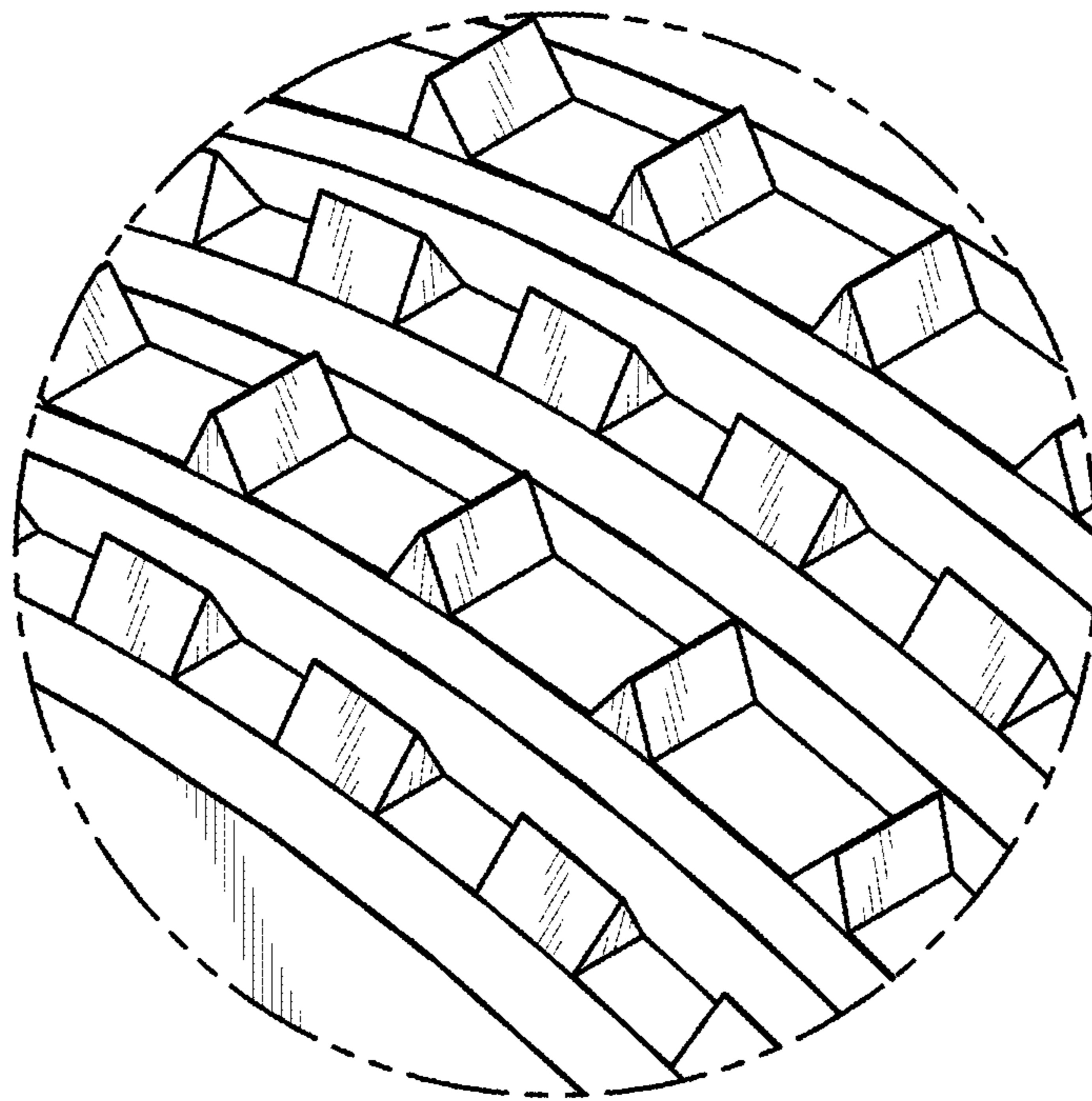


*FIG. 3*

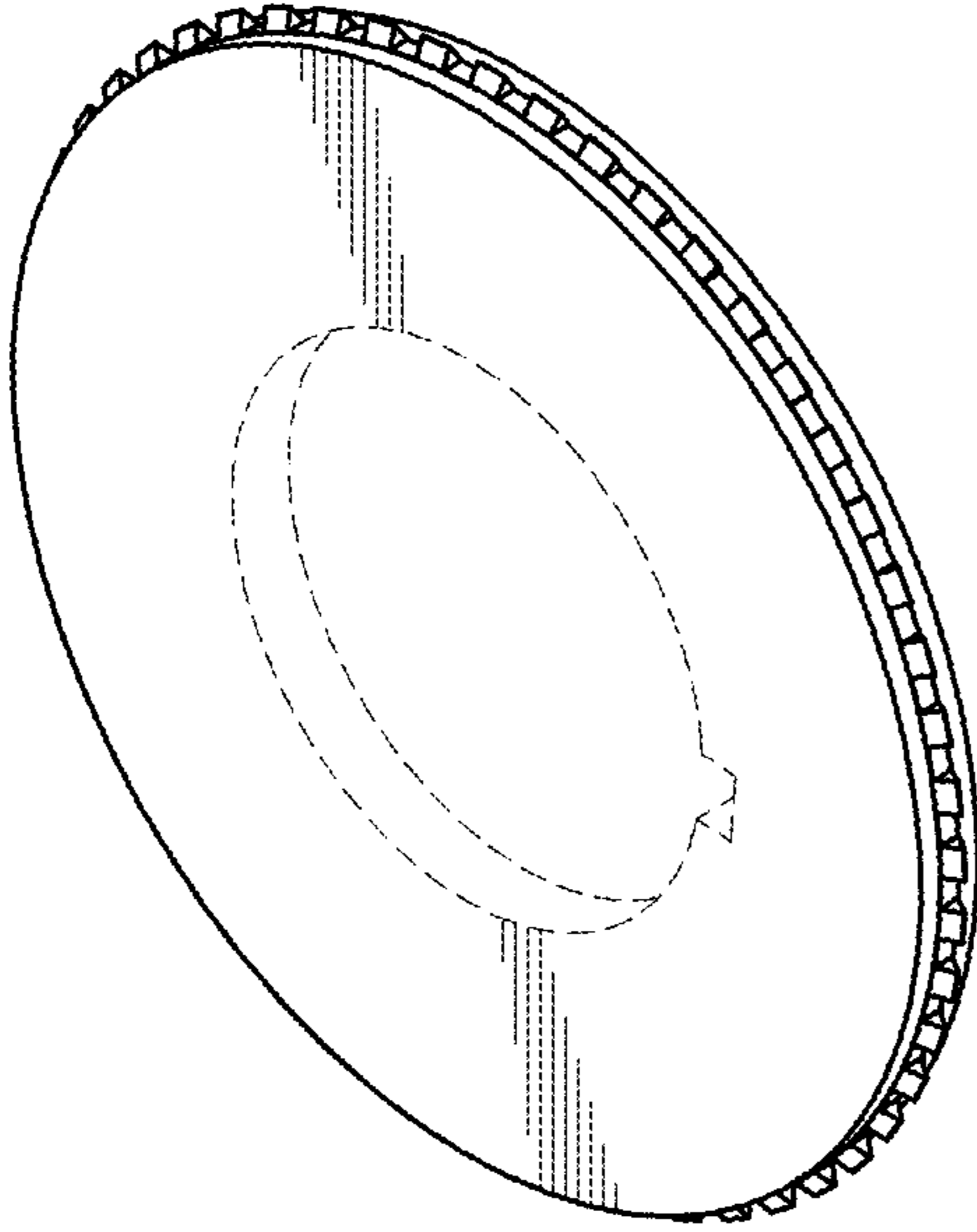




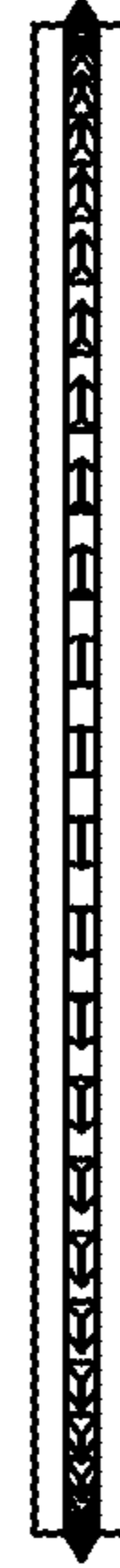
**FIG. 4**



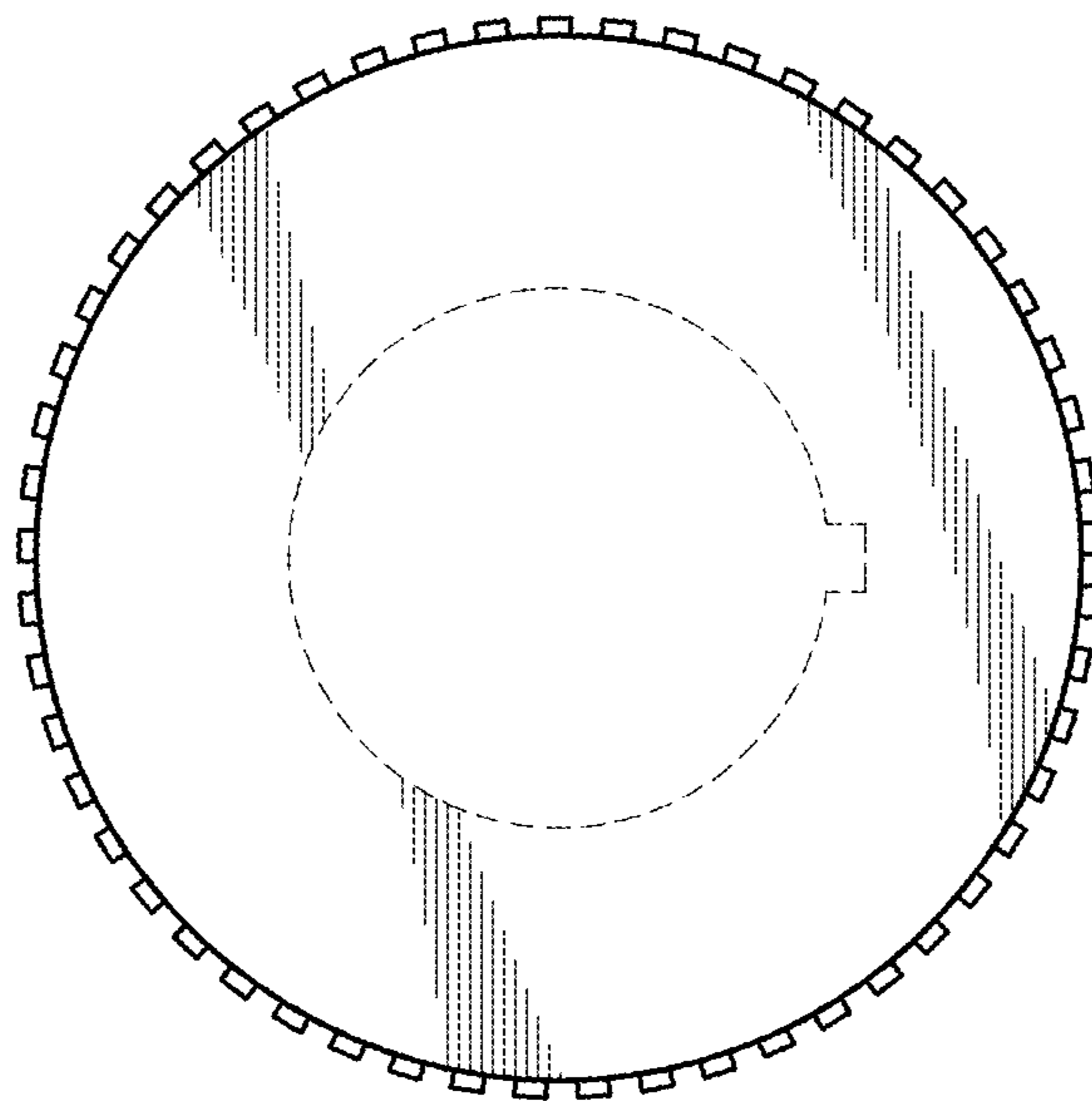
**FIG. 5**



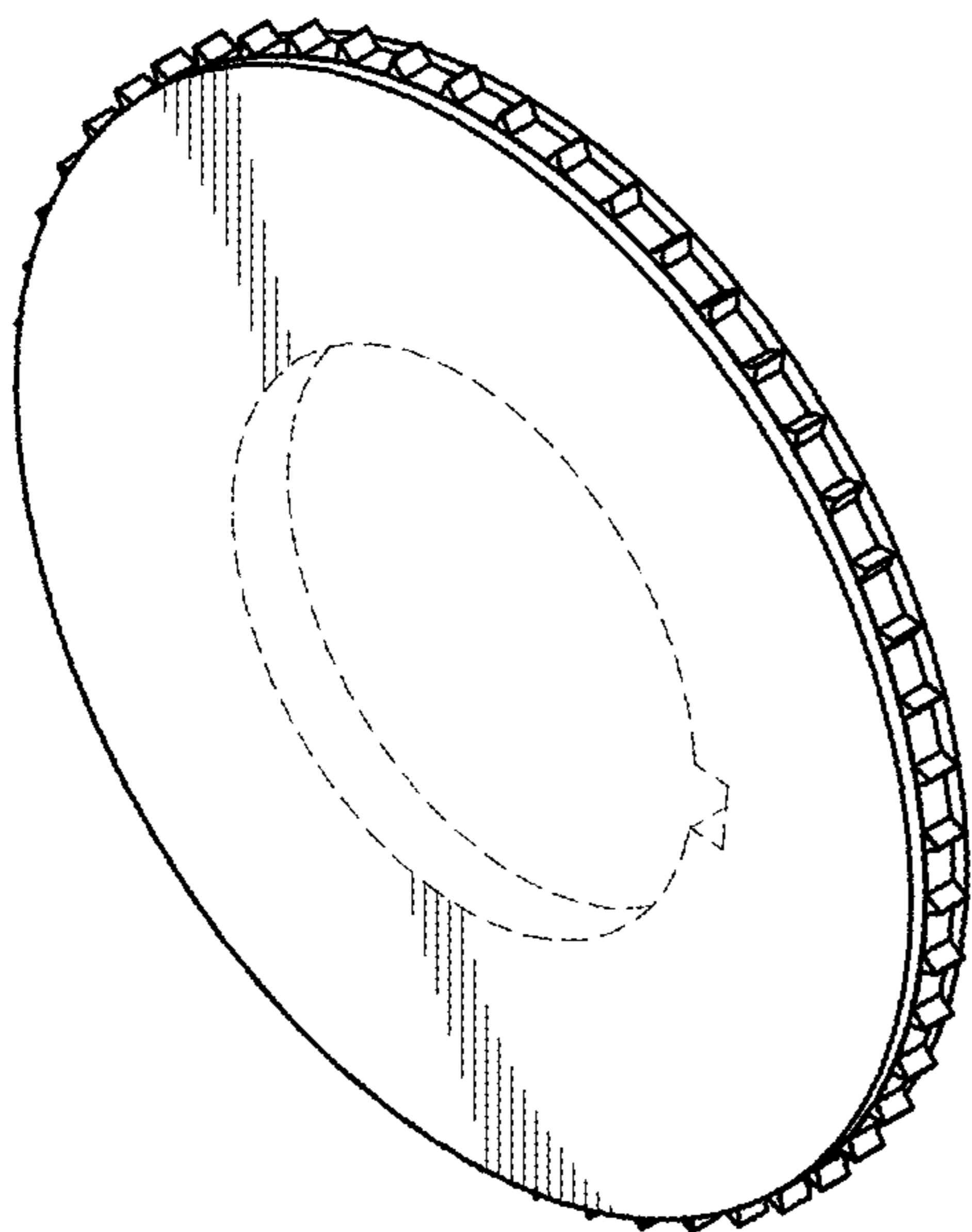
**FIG. 6**



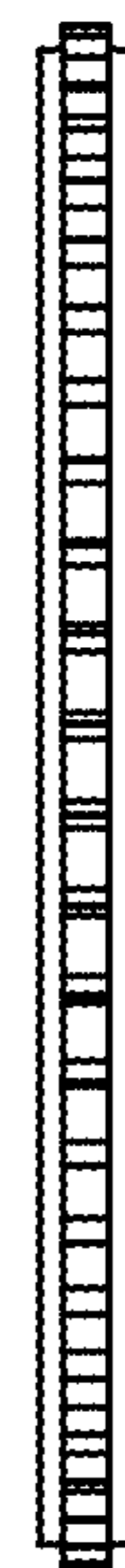
**FIG. 7**



**FIG. 8**



**FIG. 9**



**FIG. 10**

