



US00D808448S

(12) **United States Design Patent**  
**Kim**

(10) **Patent No.:** **US D808,448 S**  
(45) **Date of Patent:** **\*\* Jan. 23, 2018**

- (54) **PRE-TREATMENT APPARATUS**
- (71) Applicant: **Cheon-Soo Kim**, Namwon-Si (KR)
- (72) Inventor: **Cheon-Soo Kim**, Namwon-Si (KR)
- (73) Assignee: **Cheon-Soo Kim**, Namwon-Si (KR)
- (\*\*) Term: **15 Years**
- (21) Appl. No.: **29/561,750**
- (22) Filed: **Apr. 19, 2016**
- (51) **LOC (11) Cl.** ..... **15-09**
- (52) **U.S. Cl.**  
USPC ..... **D15/122**
- (58) **Field of Classification Search**  
USPC ..... D15/122, 135, 138, 199  
CPC ..... B41M 5/52; B41M 5/502; B41M 5/0017;  
B41M 5/5218; B41M 2205/40; C09D  
11/38; C09D 11/40; C09D 11/54  
See application file for complete search history.

(56) **References Cited**

U.S. PATENT DOCUMENTS

3,669,068	A *	6/1972	Geitz	.....	B41D 5/00 118/223
D567,264	S *	4/2008	Muller	.....	D15/122
D616,472	S *	5/2010	Fusejima	.....	D15/122
D622,296	S *	8/2010	Ueberschlag	.....	D15/122
D654,935	S *	2/2012	Kishimura	.....	D15/122
D655,323	S *	3/2012	Brockhage	.....	D15/145
D674,420	S *	1/2013	Ueberschlag	.....	D15/122
D685,825	S *	7/2013	Hoelbl	.....	D15/122
D690,330	S *	9/2013	Tsuchiyama	.....	D15/122
D694,298	S *	11/2013	Hoelbl	.....	D15/122

D730,419	S *	5/2015	Pungetti	.....	D15/199
D732,590	S *	6/2015	Bedeschi	.....	D15/122
D795,319	S *	8/2017	Bedeschi	.....	D15/122
2006/0233960	A1 *	10/2006	Warren	.....	B05B 7/166 427/421.1
2009/0242796	A1 *	10/2009	Hirano	.....	G01N 1/28 250/442.11
2013/0040043	A1 *	2/2013	Larson	.....	A61L 27/34 427/2.24
2013/0115378	A1 *	5/2013	Ko	.....	C23C 4/08 427/455

\* cited by examiner

*Primary Examiner* — Patricia Palasik

(74) *Attorney, Agent, or Firm* — Ichtus International Law, PLLC

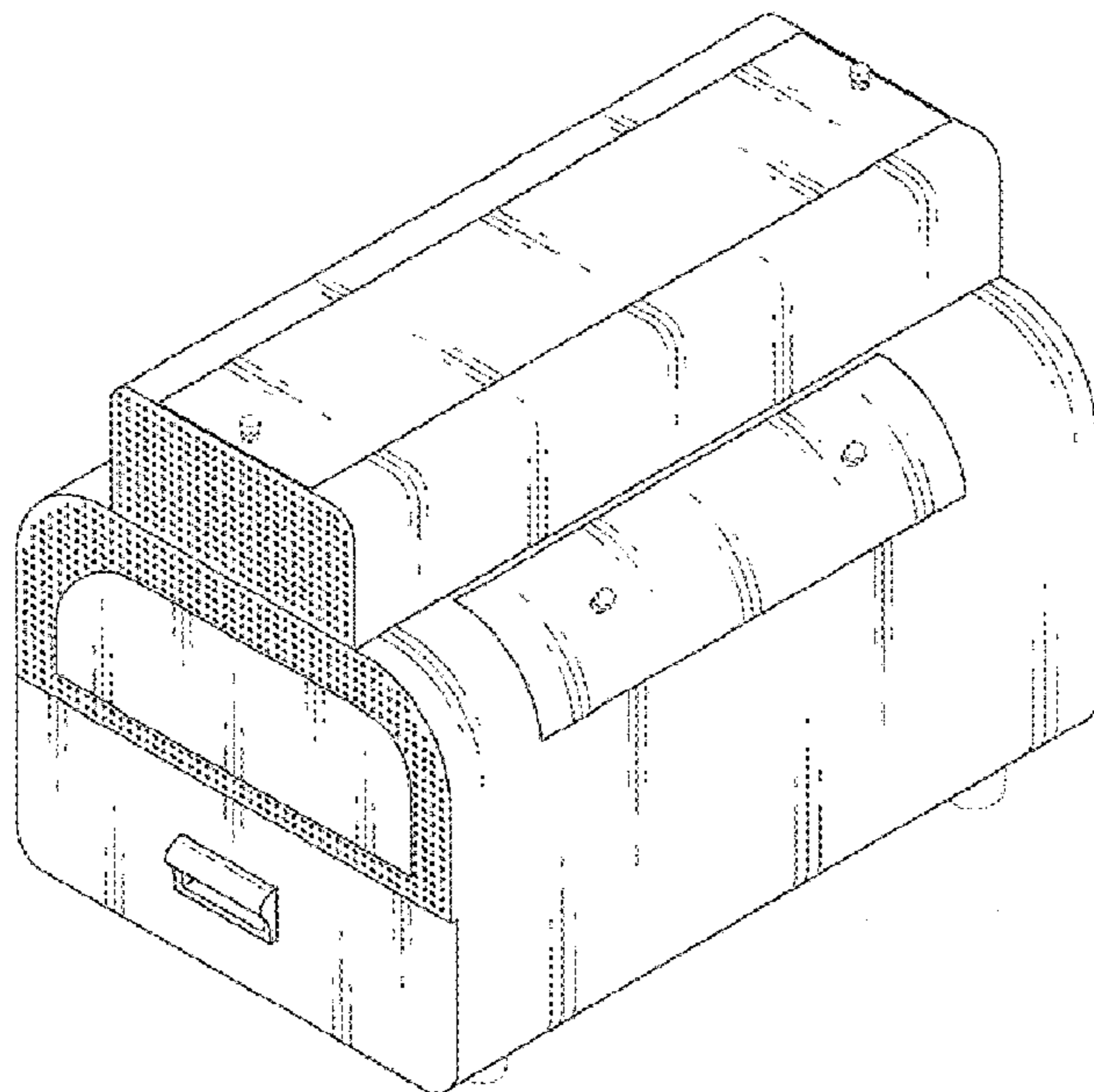
(57) **CLAIM**

The ornamental design for a pre-treatment apparatus, substantially as shown and described.

**DESCRIPTION**

FIG. 1 is a front perspective view of a pre-treatment apparatus in accordance with the present invention;  
 FIG. 2 is a front view thereof;  
 FIG. 3 is a rear view thereof.  
 FIG. 4 is a left side view thereof;  
 FIG. 5 is a right side view thereof;  
 FIG. 6 is a top plan view thereof; and,  
 FIG. 7 is a bottom plan view thereof.  
 The broken lines in the drawings depict unclaimed environmental subject matter.  
 The article of manufacture is a pre-treatment apparatus for spraying a pre-treatment liquid before printing for improved printing quality.

**1 Claim, 7 Drawing Sheets**



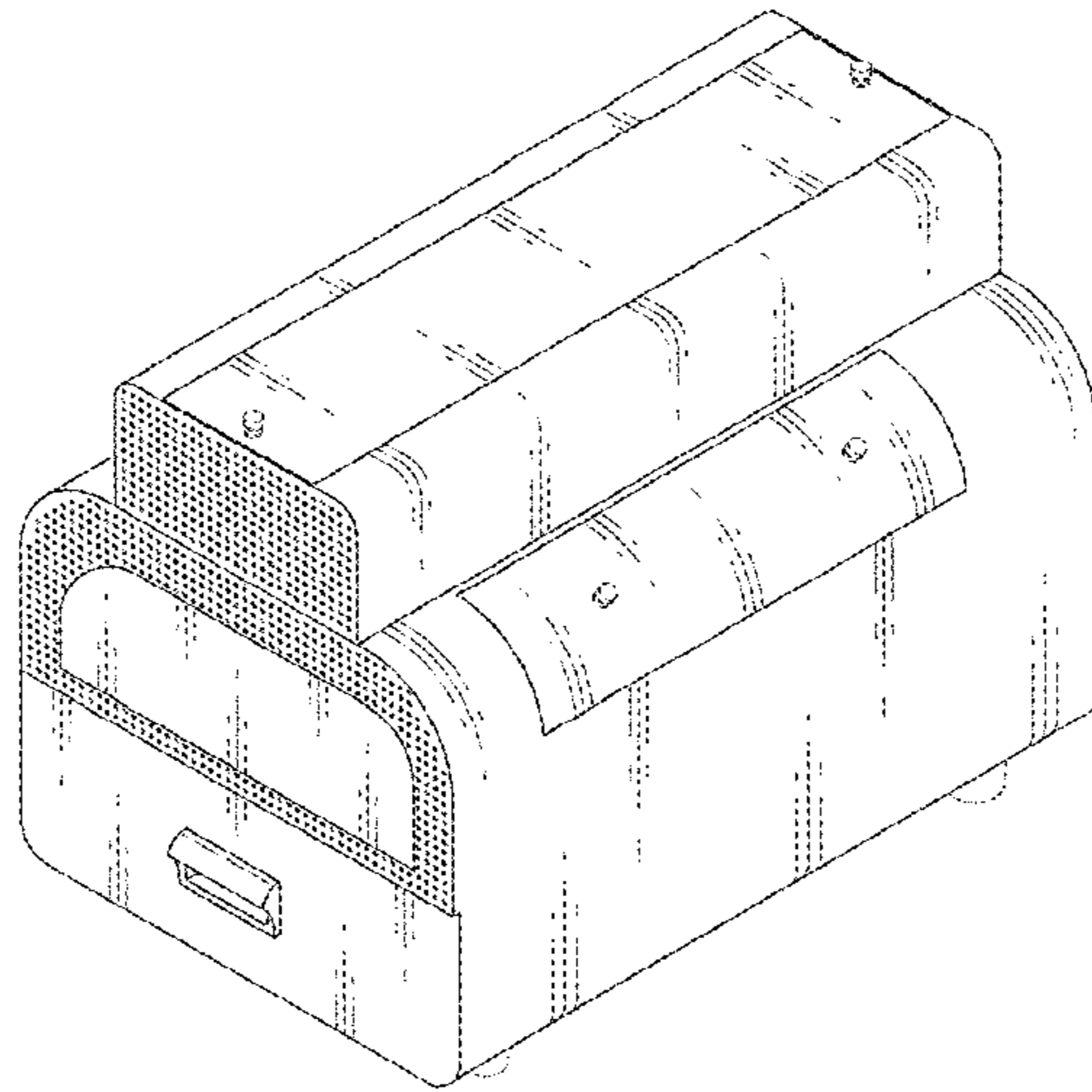


FIG. 1

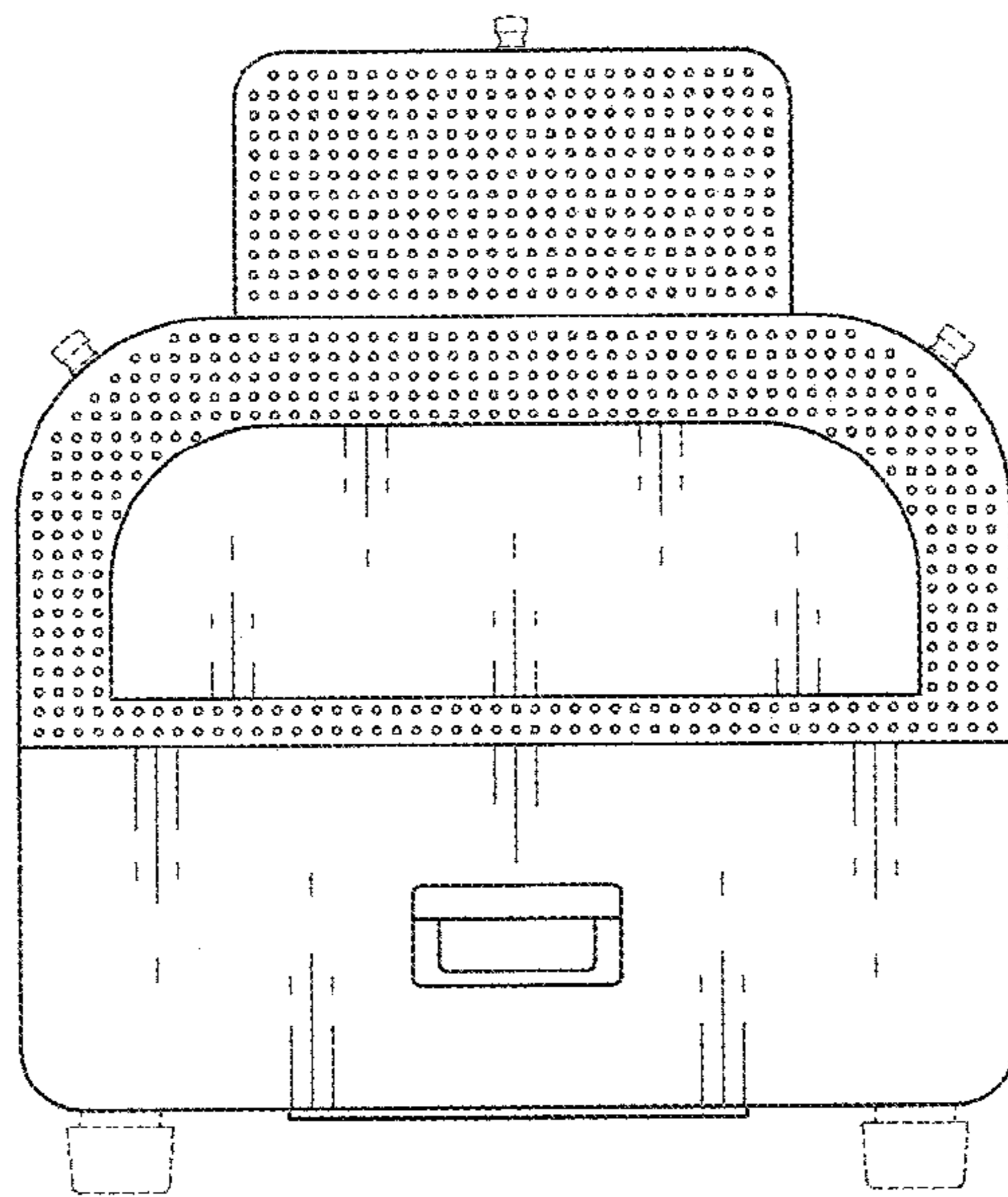


FIG. 2

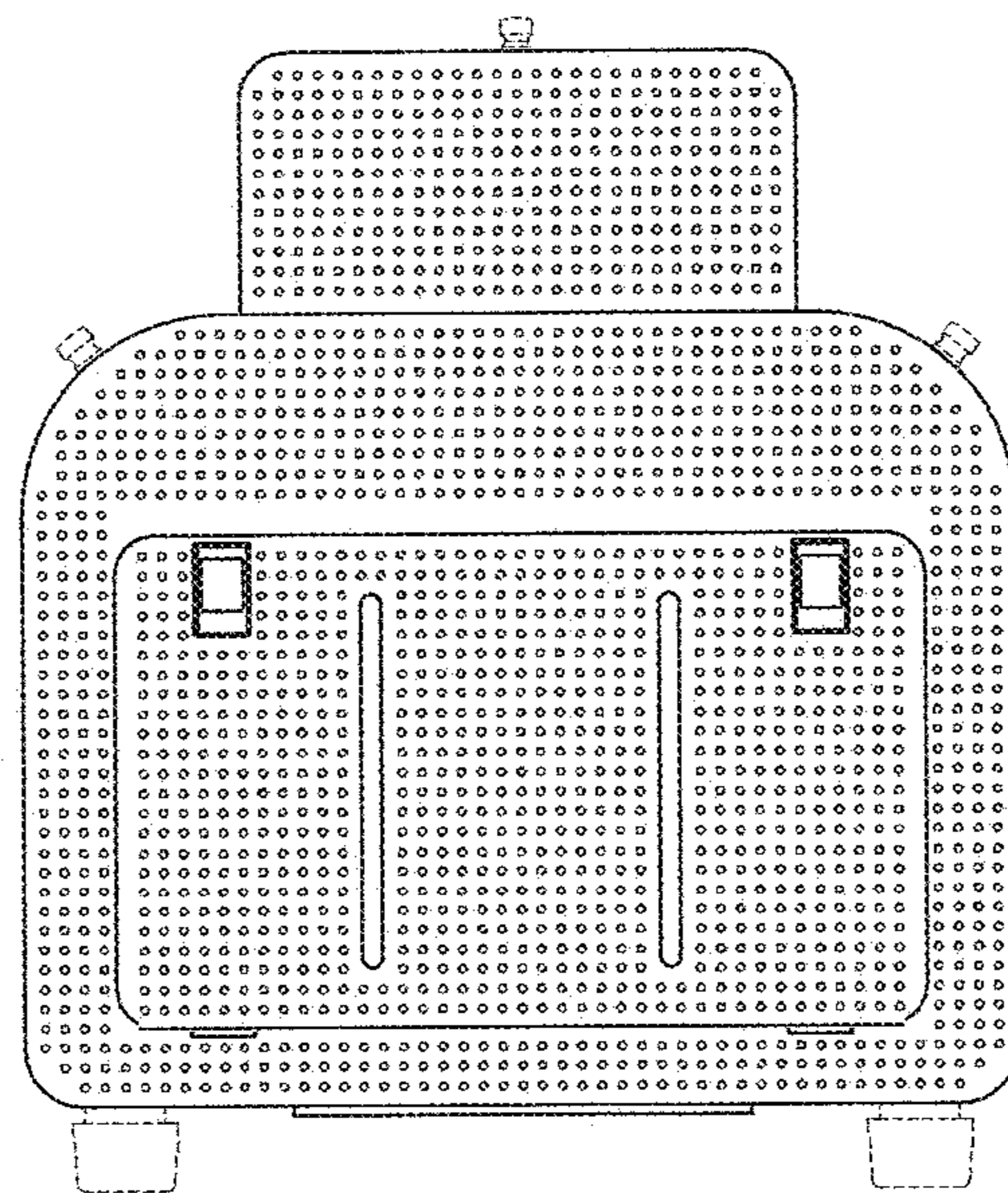


FIG. 3

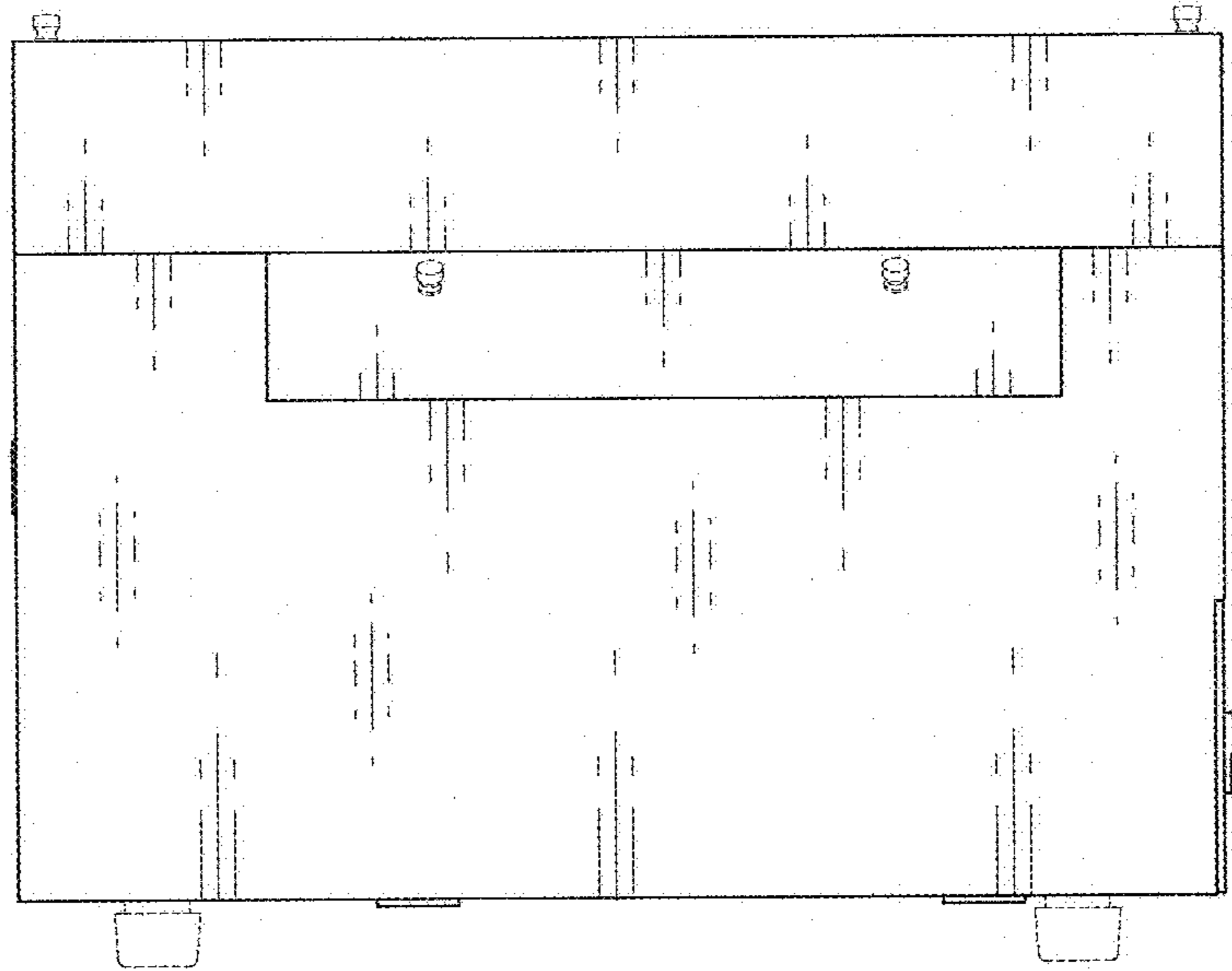


FIG. 4

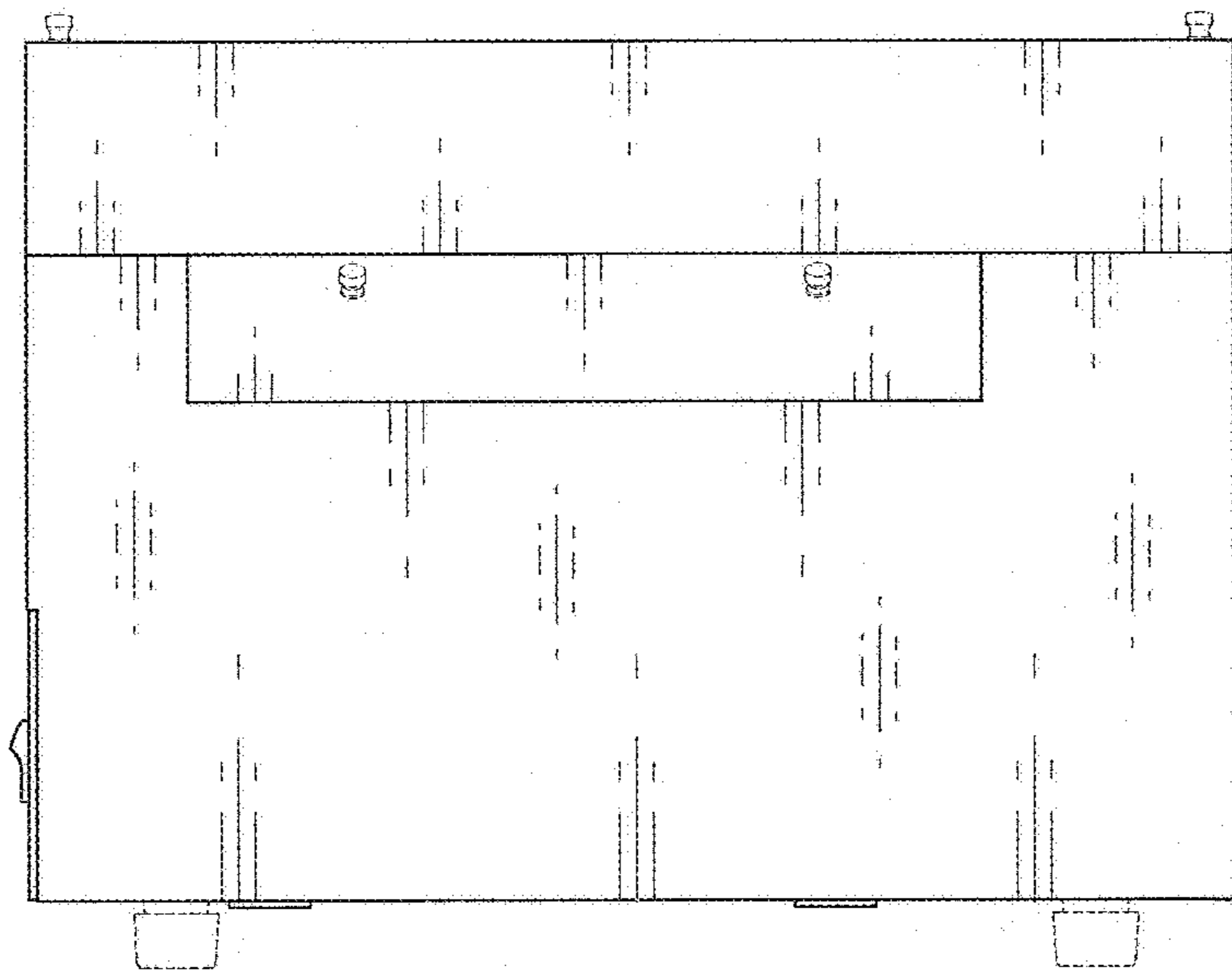


FIG. 5



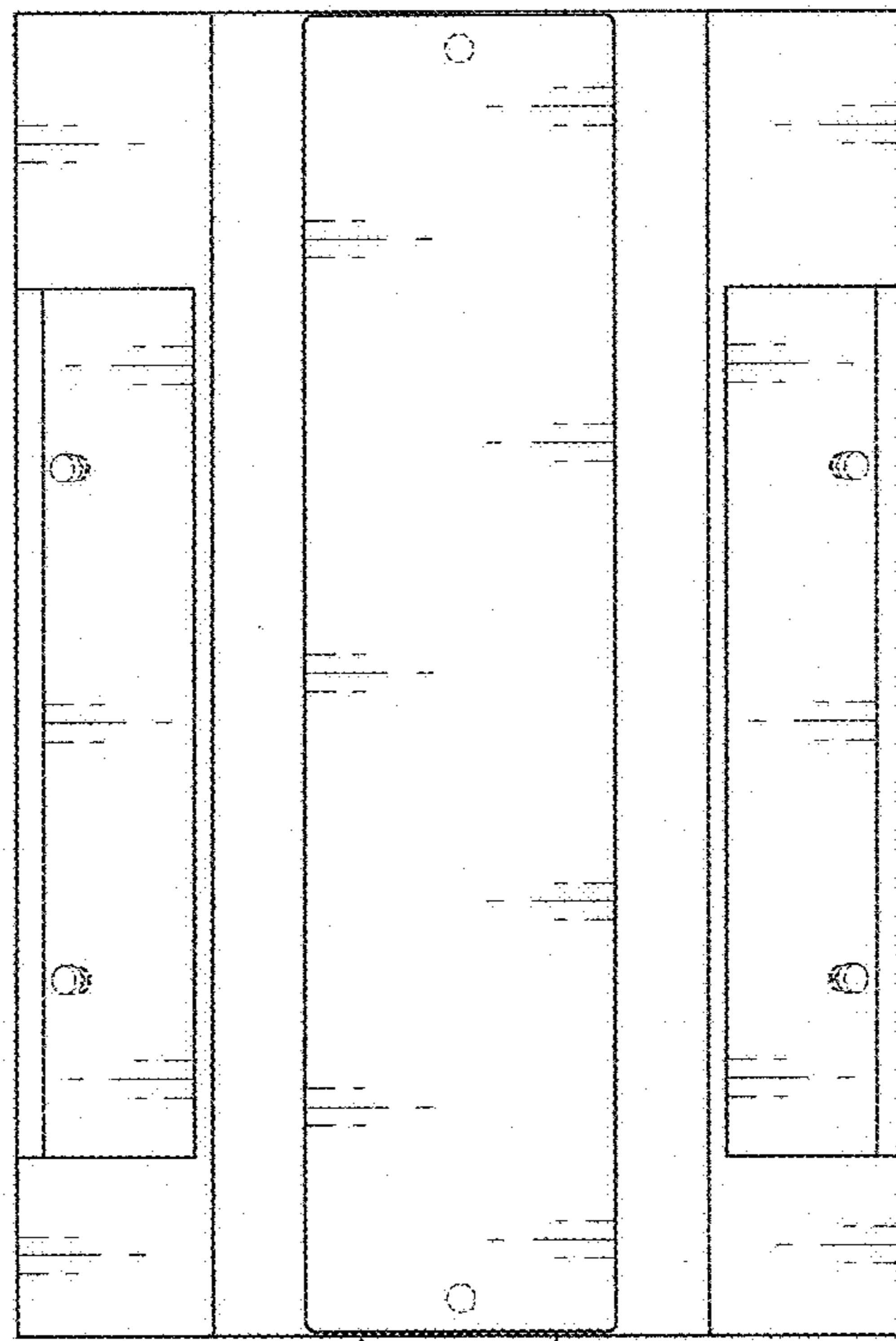


FIG. 6

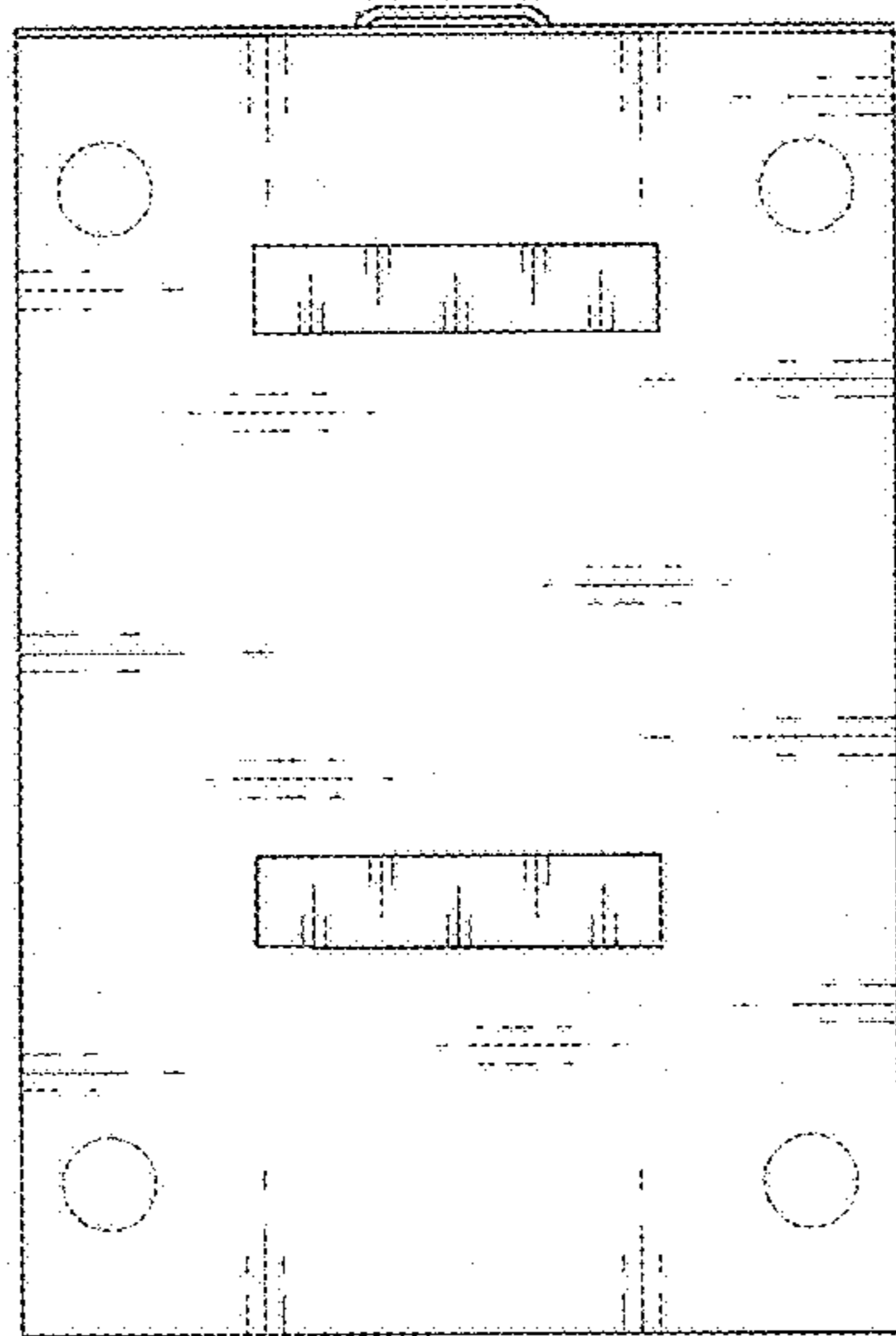


FIG. 7