



US00D808446S

(12) **United States Design Patent**  
**Burke et al.**

(10) **Patent No.:** **US D808,446 S**  
(45) **Date of Patent:** **\*\* Jan. 23, 2018**

(54) **REFRIGERATOR SHELF**

(71) Applicant: **Whirlpool Corporation**, Benton Harbor, MI (US)  
(72) Inventors: **Julia B. Burke**, Chicago, IL (US); **Mansour Ourasanah**, Chicago, IL (US); **Daniel H. Quinlan**, Stevensville, MI (US)  
(73) Assignee: **Whirlpool Corporation**, Benton Harbor, MI (US)

(\*\*) Term: **15 Years**

(21) Appl. No.: **29/541,982**

(22) Filed: **Oct. 9, 2015**

(51) **LOC (11) Cl.** ..... **15-07**

(52) **U.S. Cl.**  
USPC ..... **D15/89**

(58) **Field of Classification Search**  
USPC ..... D15/79-91

(Continued)

(56) **References Cited**

**U.S. PATENT DOCUMENTS**

774,117 A 11/1904 Tandy  
5,415,472 A 5/1995 Brise

(Continued)

**FOREIGN PATENT DOCUMENTS**

CN 101611281 A 12/2009  
CN 201779952 U 3/2011

(Continued)

**OTHER PUBLICATIONS**

“Refrigerator Capacity & Organization: Making Room for More,”  
GE Appliances, website, date unknown, <http://www.geappliances.com>.

[ca/en/shopping-guides-and-design-ideas/shopping-guides/refrigerators/make-room-for-more-in-the-refrigerator](http://www.geappliances.com/en/shopping-guides-and-design-ideas/shopping-guides/refrigerators/make-room-for-more-in-the-refrigerator).

(Continued)

*Primary Examiner* — Ian Simmons  
*Assistant Examiner* — Khawaja Anwar  
(74) *Attorney, Agent, or Firm* — Price Heneveld LLP

(57) **CLAIM**

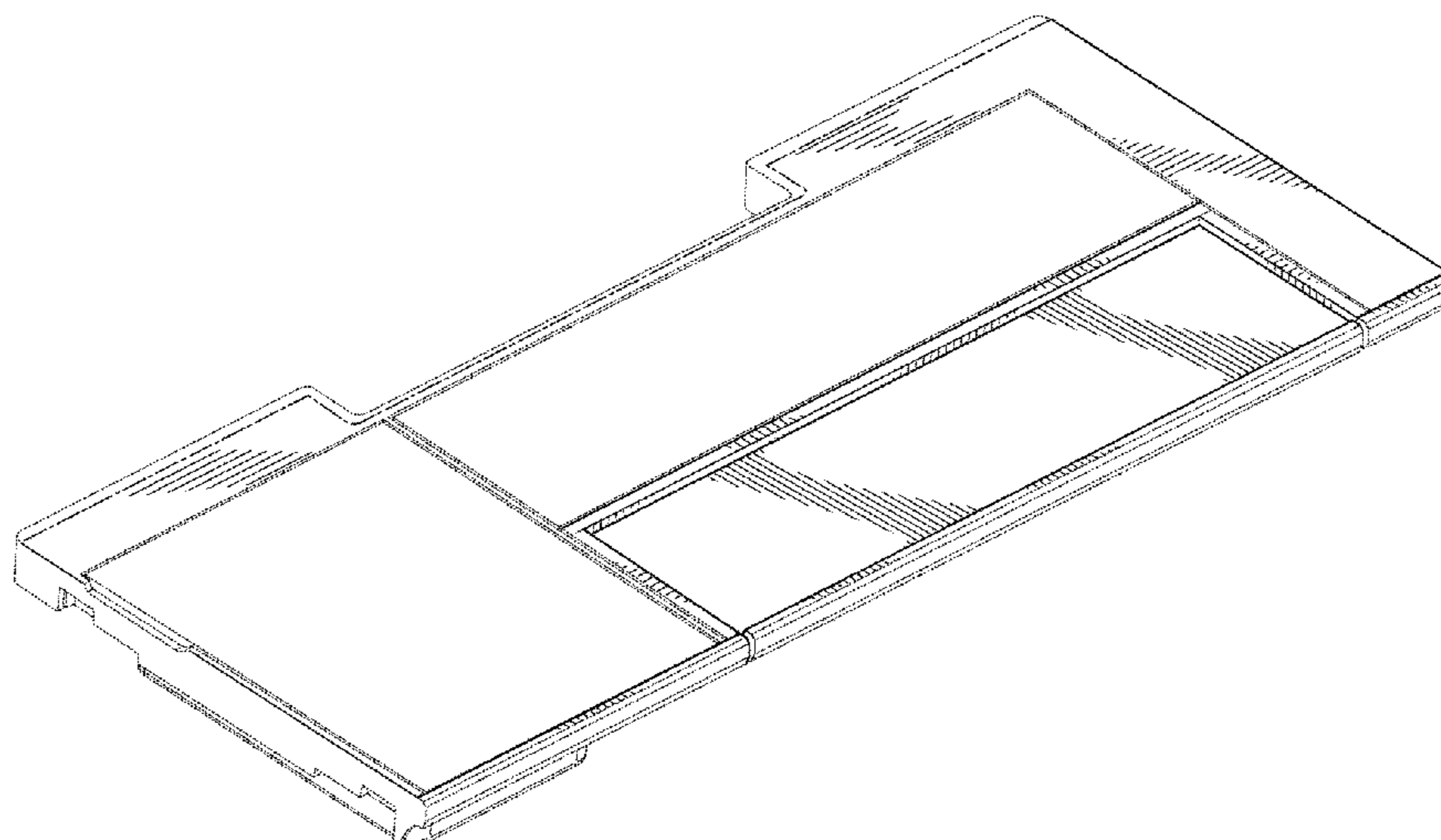
The ornamental design for a refrigerator shelf, as shown and described.

**DESCRIPTION**

FIG. 1 is a front perspective view of a refrigerator shelf according to a first embodiment of our design in a first configuration thereof, a second embodiment of the design in a first configuration being a mirror-image of the first embodiment in the first configuration;  
FIG. 2 is a top view thereof;  
FIG. 3 is a bottom view thereof;  
FIG. 4 is a front elevation view thereof;  
FIG. 5 is a back elevation view thereof;  
FIG. 6 is a left side view thereof;  
FIG. 7 is a right side view thereof;  
FIG. 8 is a front view of the refrigerator shelf according to the first embodiment of our design in a second configuration thereof, the second embodiment of the design in a second configuration being a mirror-image of the first embodiment in the second configuration;  
FIG. 9 is a top view thereof;  
FIG. 10 is a bottom view thereof;  
FIG. 11 is a front elevation view thereof;  
FIG. 12 is a back elevation view thereof;  
FIG. 13 is a left side view thereof; and,  
FIG. 14 is a right side view thereof.

Broken lines are environmental only and form no part of the claimed design. Additionally, broken lines between shaded and un-shaded areas represent bounds of the claimed design. Dash-dot lines indicate additional boundaries of the claimed design and form no part of the claimed design. The diagonal shading indicates transparency.

**1 Claim, 10 Drawing Sheets**



(58) **Field of Classification Search**

CPC ..... F25D 11/00; F25D 11/02; F25D 13/00;  
 F25D 19/00; F25D 21/00; F25D 23/00;  
 F25D 2321/1441; F25D 2325/021; F25D  
 2325/022; F25D 2325/023

See application file for complete search history.

(56) **References Cited**

U.S. PATENT DOCUMENTS

5,735,589	A	4/1998	Herrmann et al.	
D505,140	S *	5/2005	Reed .....	D15/89
D516,100	S *	2/2006	Vardon .....	D15/89
D516,102	S *	2/2006	Vardon .....	D15/89
D523,034	S *	6/2006	Vardon .....	D15/89
D525,633	S *	7/2006	Vardon .....	D15/89
D551,262	S *	9/2007	Becke .....	D15/89
7,878,344	B2	2/2011	Martin et al.	
D656,970	S *	4/2012	Merritt .....	D15/90
D669,506	S *	10/2012	Czach .....	D15/89
8,403,438	B2	3/2013	Park et al.	
D692,034	S *	10/2013	Seo .....	D15/89
D694,288	S *	11/2013	Hottmann .....	D15/89
D694,289	S *	11/2013	Hottmann .....	D15/89
D694,292	S *	11/2013	Eby .....	D15/89
D707,267	S *	6/2014	Choi .....	D15/89
D709,927	S *	7/2014	Park .....	D15/89
8,777,341	B2	7/2014	Amaral et al.	
D710,405	S *	8/2014	Seo .....	D15/89
D710,406	S *	8/2014	Seo .....	D15/89
D711,943	S *	8/2014	Park .....	D15/89
D714,840	S *	10/2014	Yang .....	D15/89
D717,349	S *	11/2014	Seo .....	D15/89
D719,986	S *	12/2014	Kim .....	D15/89
D734,784	S *	7/2015	Kim .....	D15/89
D745,581	S *	12/2015	Jeon .....	D15/89

D747,369	S *	1/2016	McConnell .....	D15/89
D747,370	S *	1/2016	Kim .....	D15/89
D747,371	S *	1/2016	Lee .....	D15/89
D747,372	S *	1/2016	Kim .....	D15/89
D747,373	S *	1/2016	Lee .....	D15/89
D748,165	S *	1/2016	McConnell .....	D15/89
D754,759	S *	4/2016	McConnell .....	D15/89
D756,551	S *	5/2016	Handt .....	D26/28
D761,884	S *	7/2016	Austin .....	D15/89
2003/0020387	A1	1/2003	Wing et al.	
2010/0102693	A1	4/2010	Driver et al.	
2011/0001415	A1	1/2011	Park et al.	
2011/0115356	A1	5/2011	Nash et al.	
2012/0091084	A1	4/2012	Amaral et al.	
2012/0223038	A1	9/2012	Bean	
2013/0020922	A1	1/2013	Jang	

FOREIGN PATENT DOCUMENTS

CN	102395849	A	3/2012
CN	102494496	A	6/2012
CN	102135363	B	12/2012
CN	102829604	A	12/2012
CN	102889744	A	1/2013
EP	577939	A1	1/1994
JP	2002090054	A	3/2002
KR	10431346	B1	5/2004
KR	10756887	B1	9/2007
WO	2008015180	A2	2/2008

OTHER PUBLICATIONS

“GE Profile Side by Side Refrigerators”, Abt, website, date unknown, [http://www.abt.com/ge/GE\\_Profile\\_SidebySide](http://www.abt.com/ge/GE_Profile_SidebySide).

\* cited by examiner

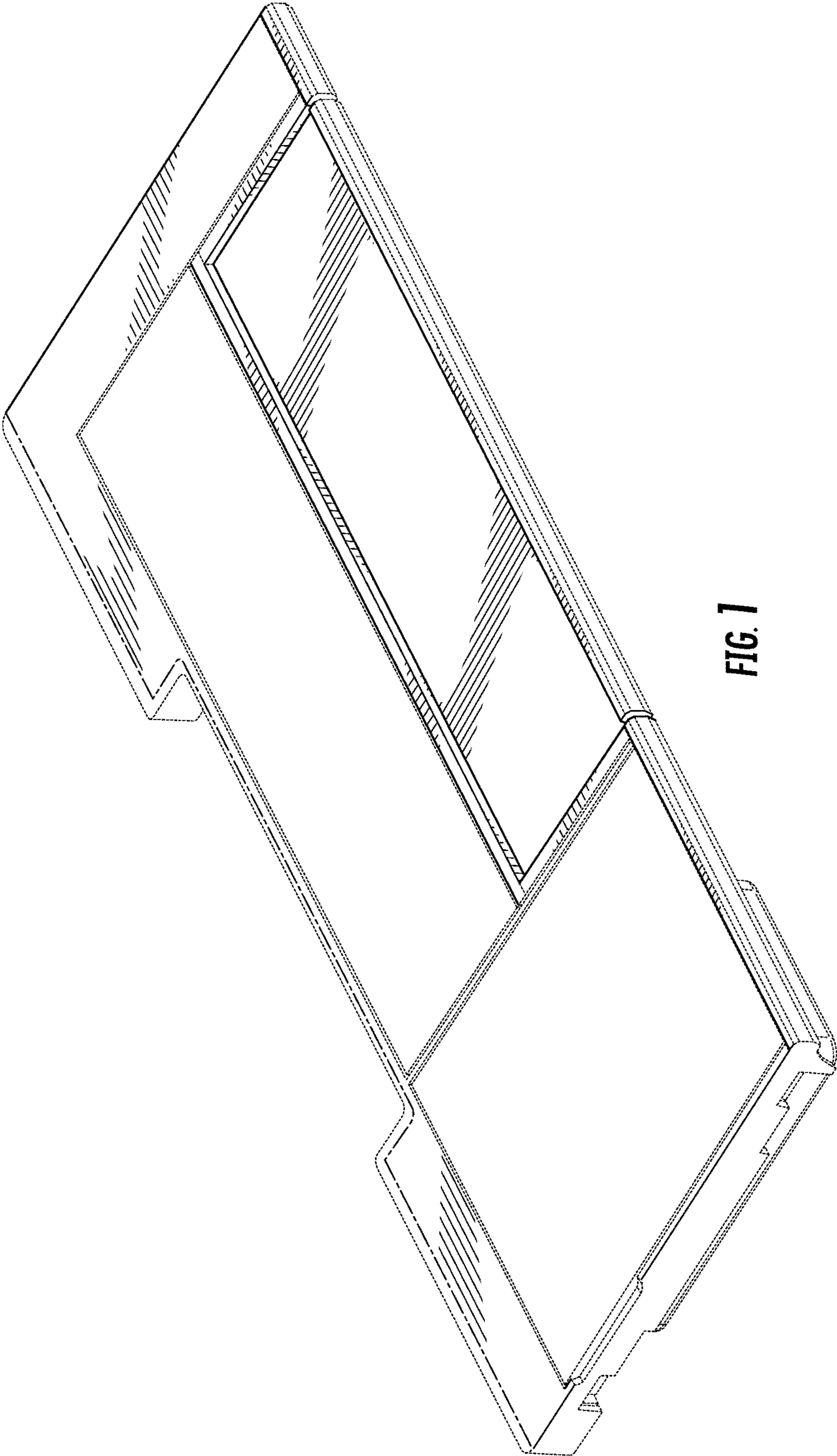


FIG. 1

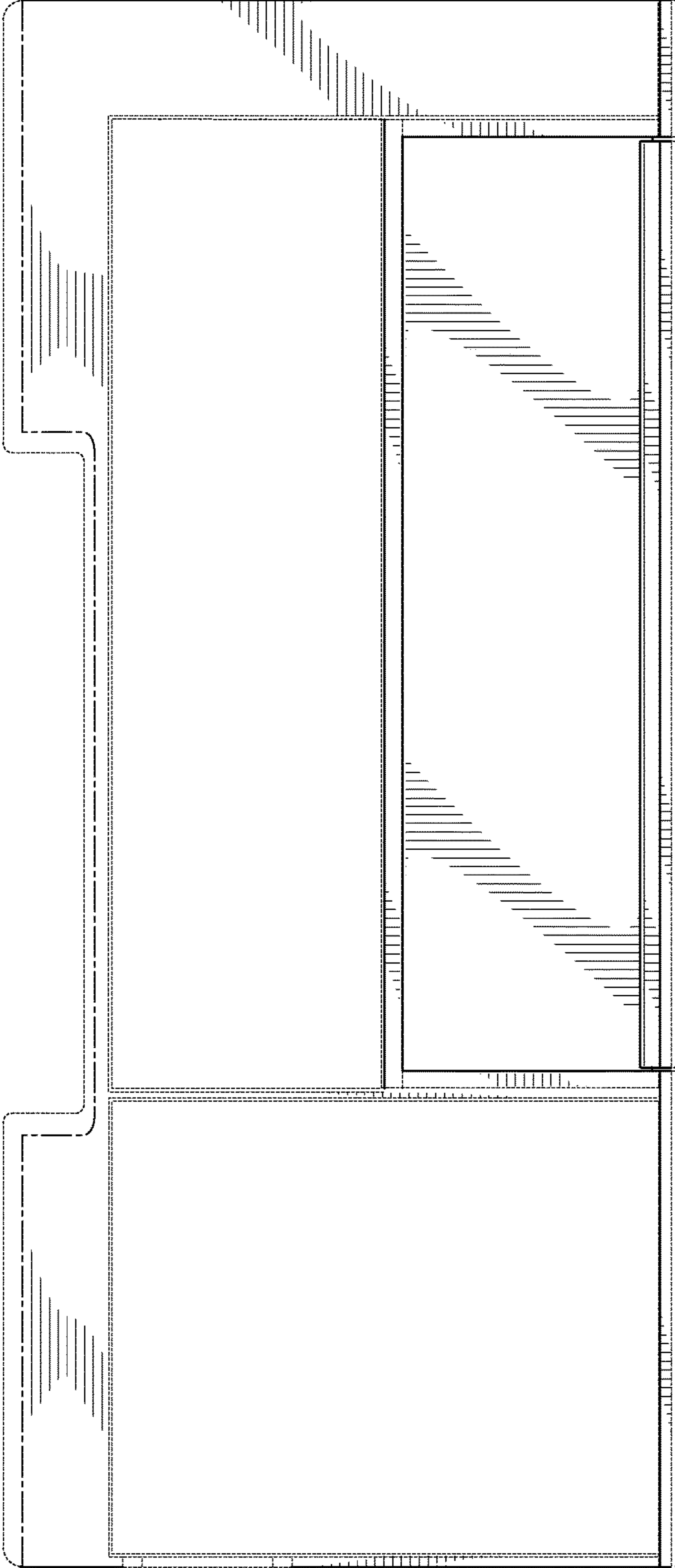
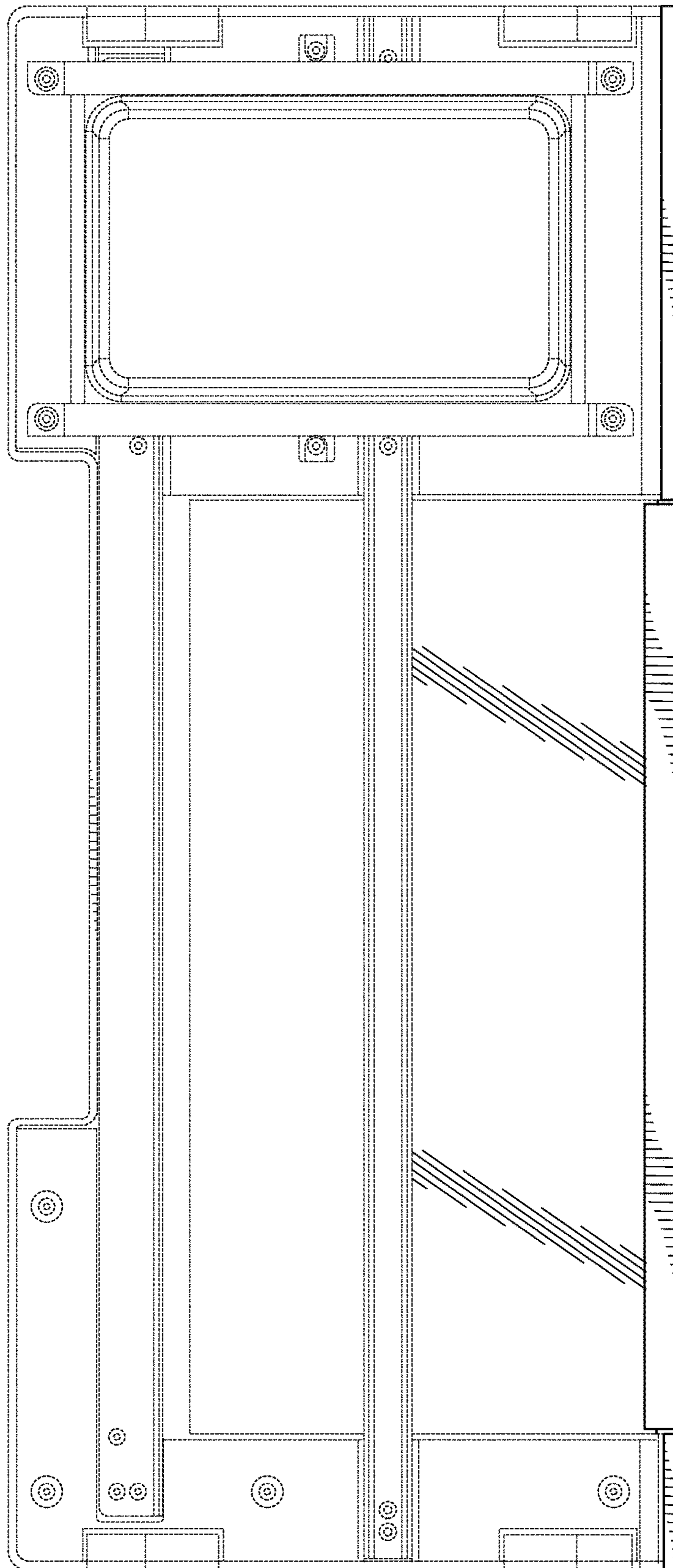
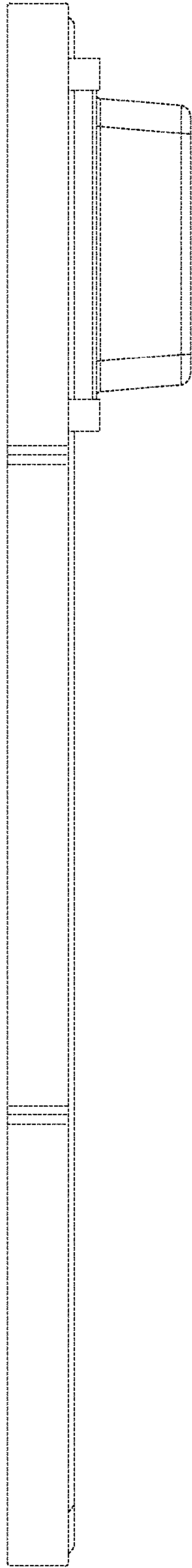


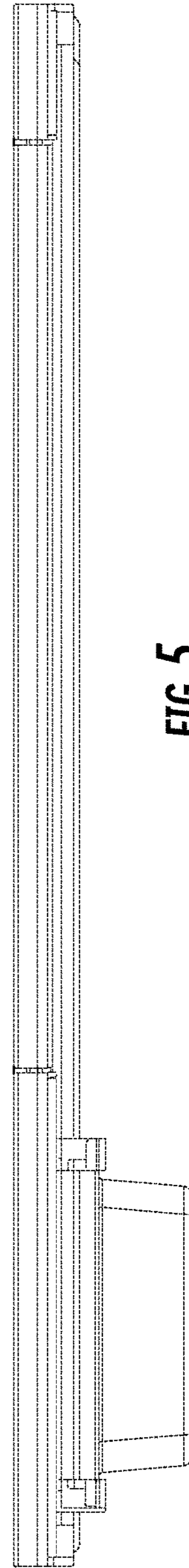
FIG. 2



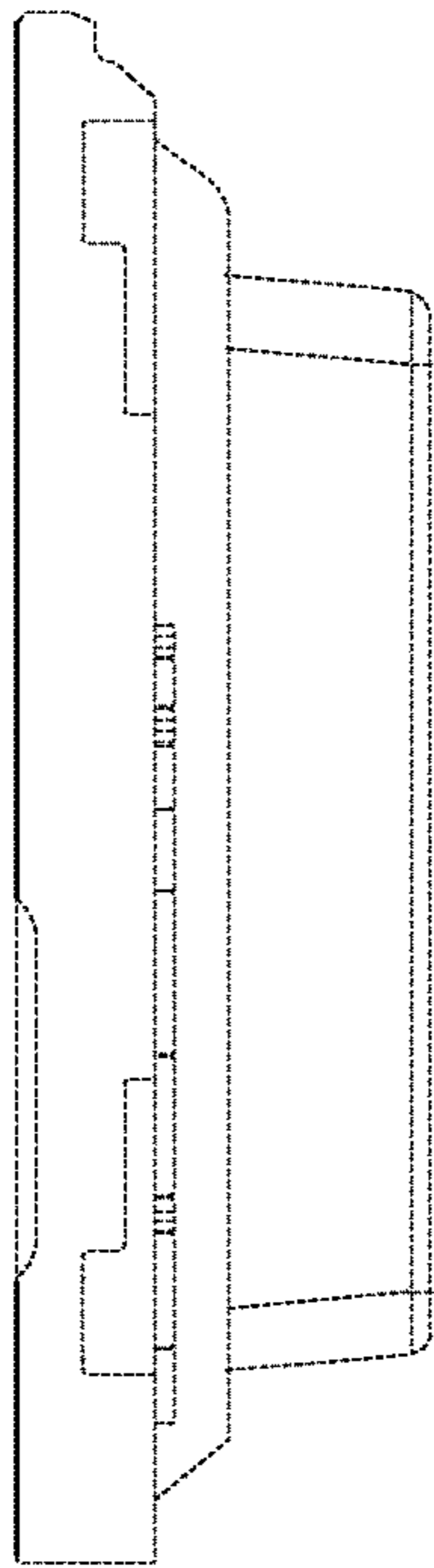
**FIG. 3**



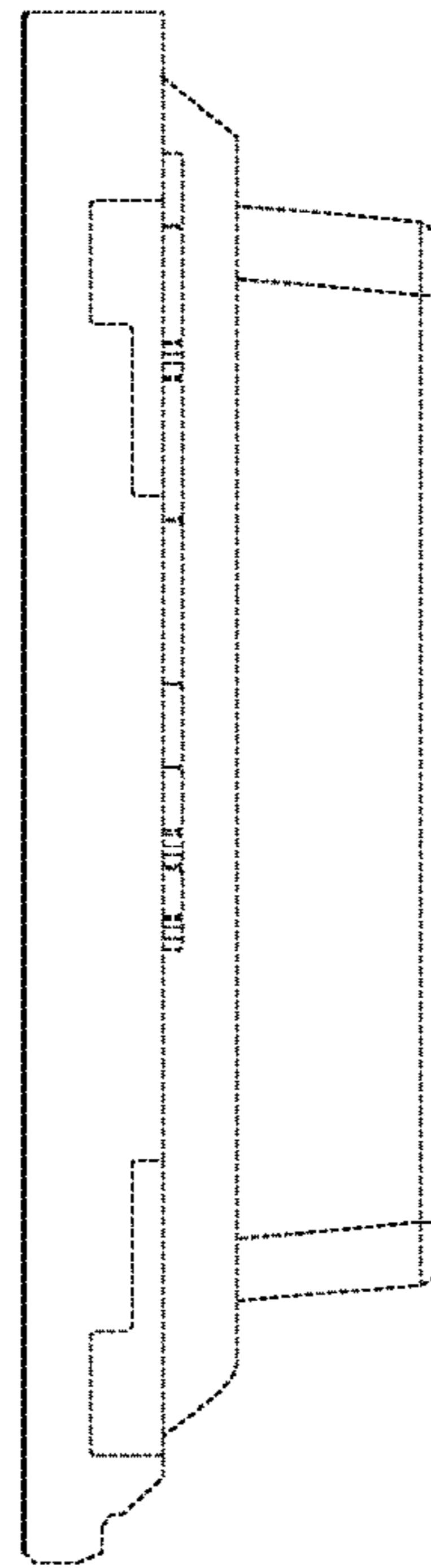
**FIG. 4**



**FIG. 5**



**FIG. 6**



**FIG. 7**

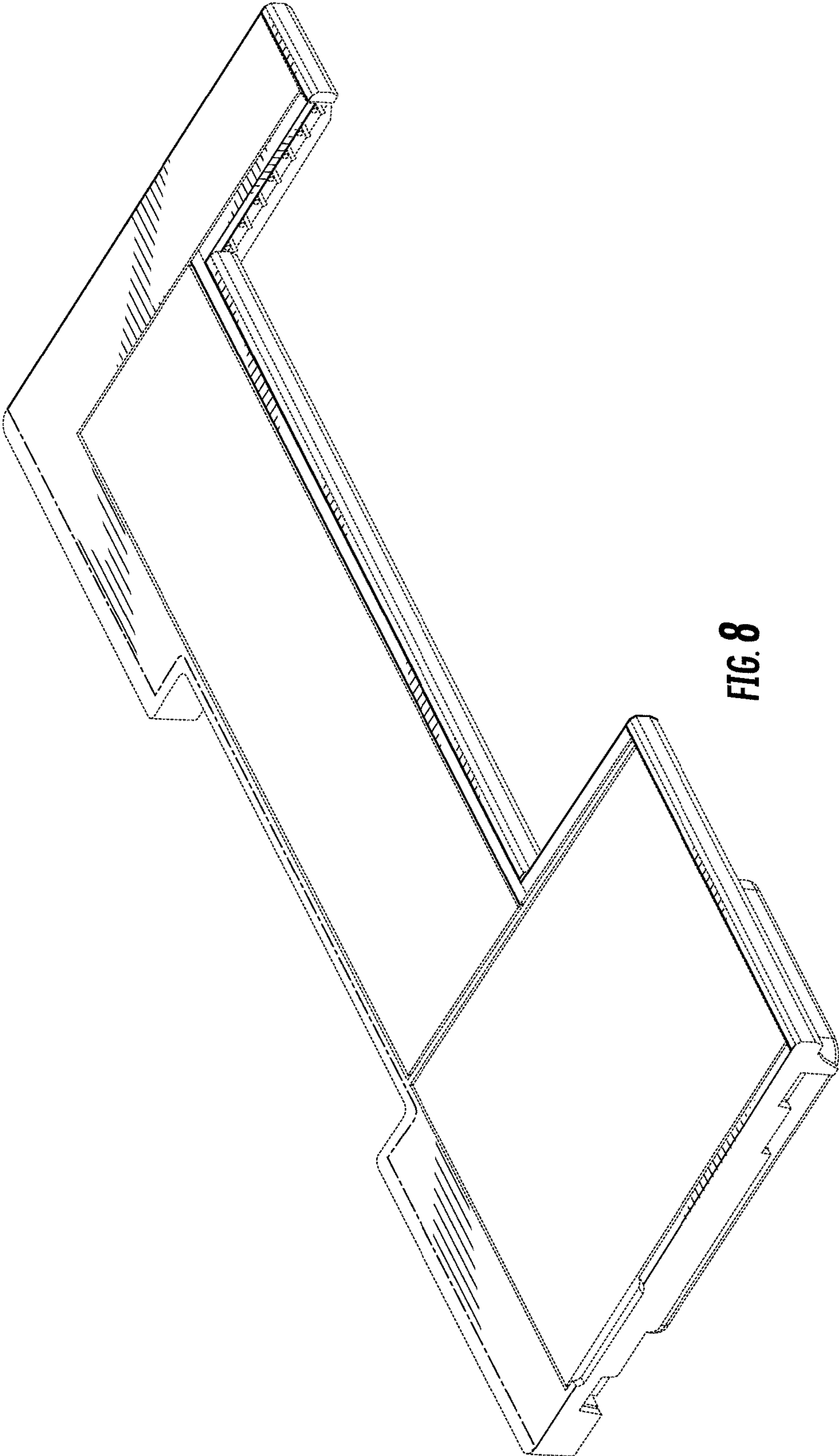


FIG. 8



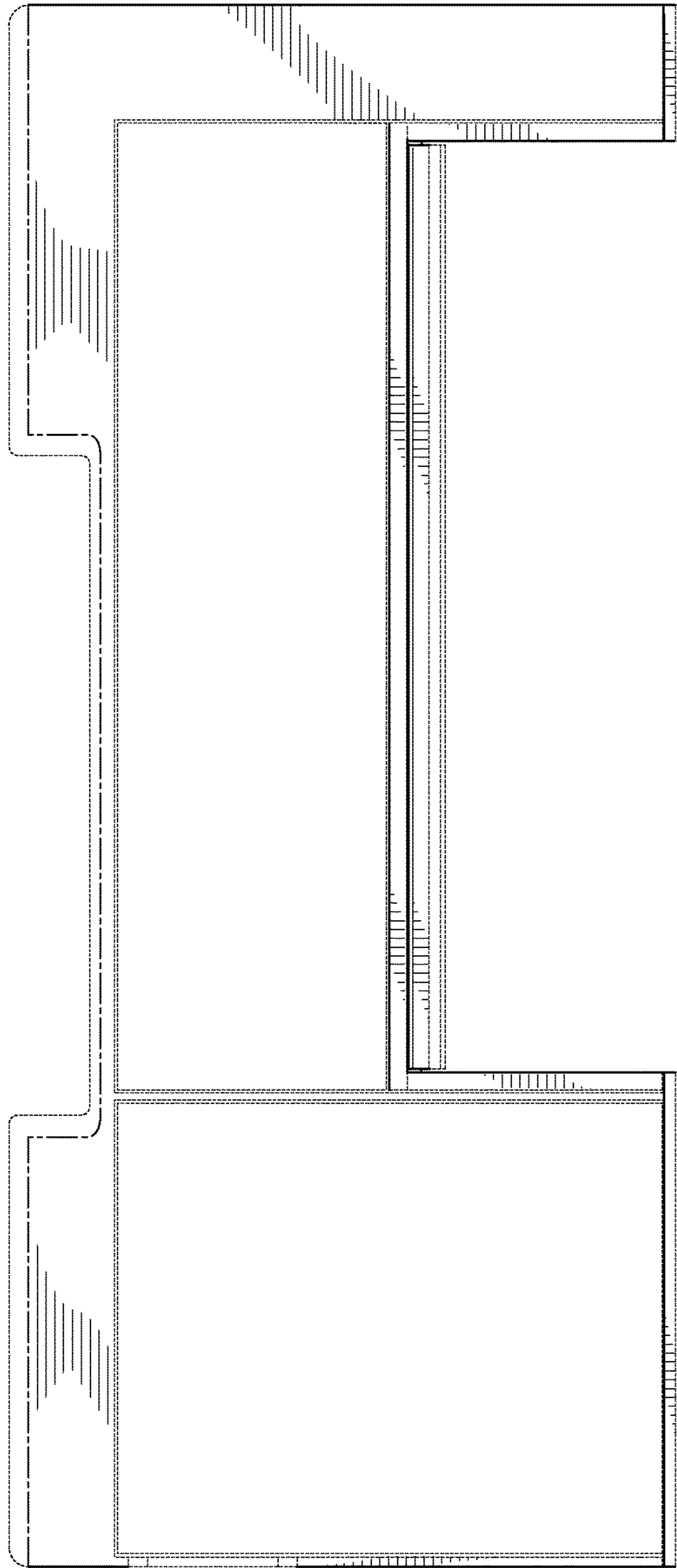
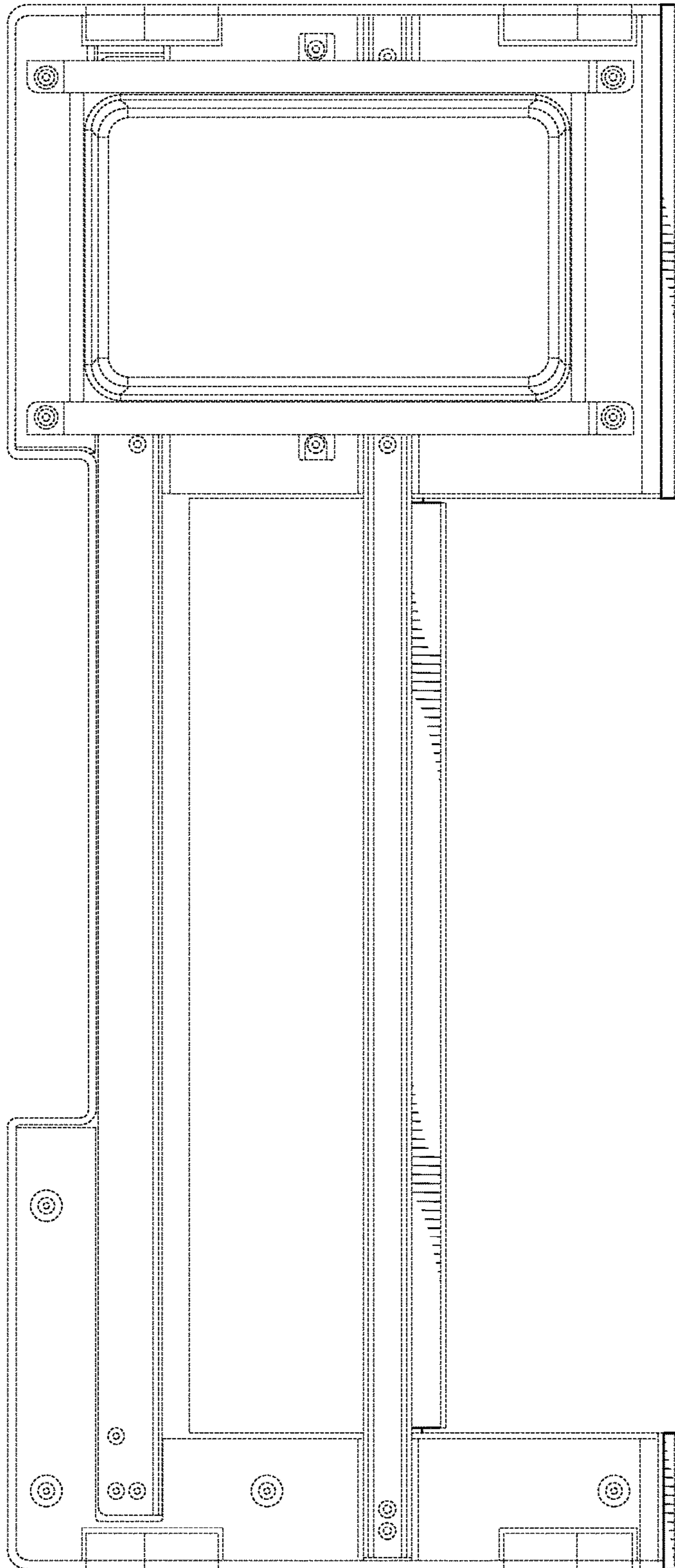
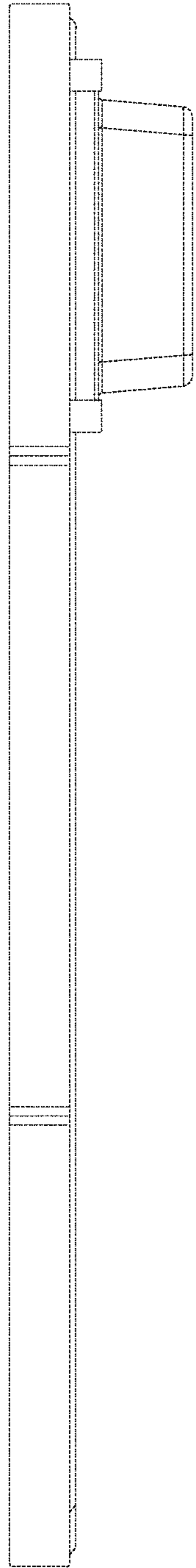


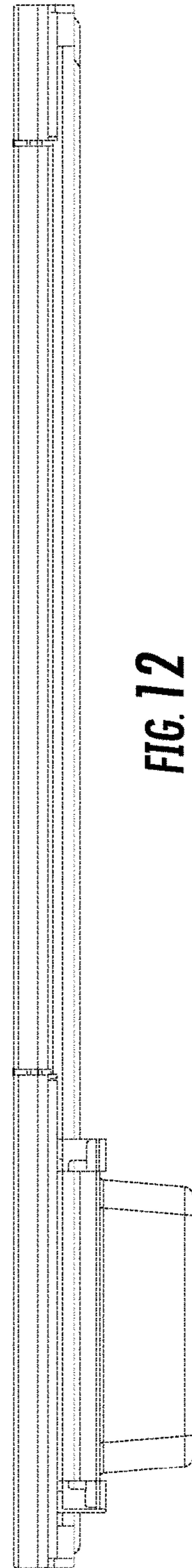
FIG. 9



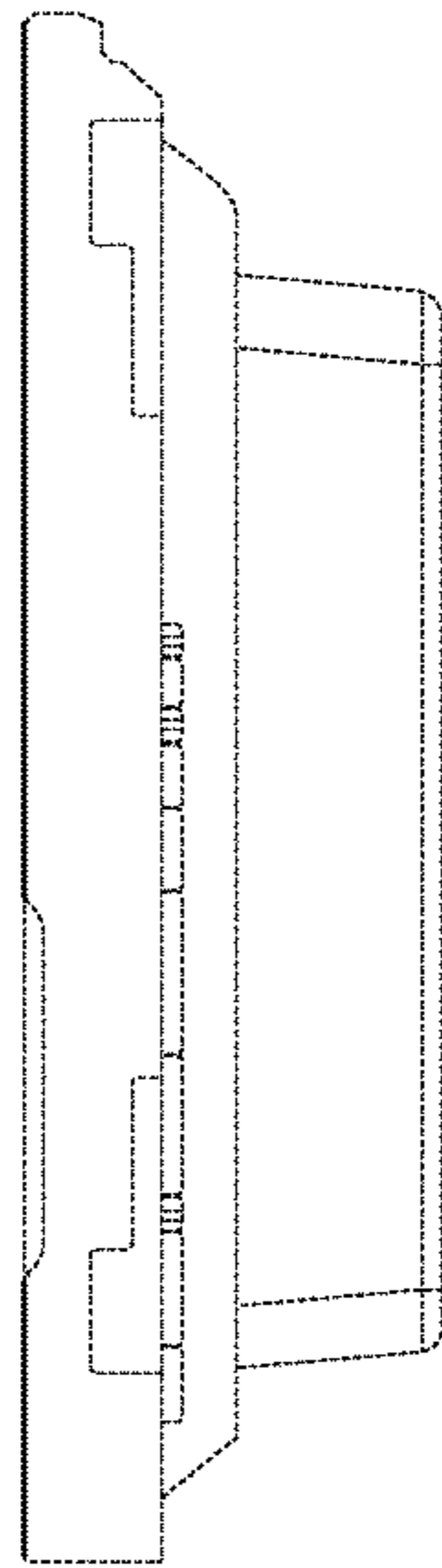
**FIG. 10**



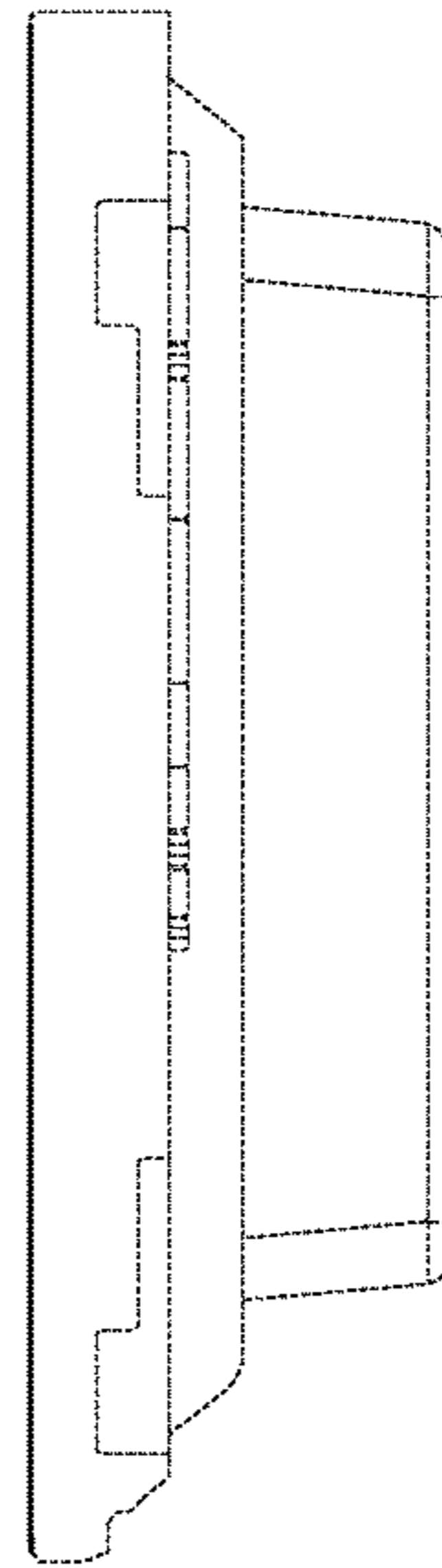
**FIG. 11**



**FIG. 12**



**FIG. 13**



**FIG. 14**