



US00D808442S

(12) **United States Design Patent**  
**Brueggen et al.**

(10) **Patent No.:** **US D808,442 S**  
(45) **Date of Patent:** **\*\* Jan. 23, 2018**

(54) **AUTONOMOUS AGRICULTURAL VEHICLE ASSEMBLY**

(71) Applicant: **Deere & Company**, Moline, IL (US)

(72) Inventors: **Shane J. Brueggen**, Louisburg, KS (US); **Steve P. Robisky**, Cedar Falls, IA (US); **Troy K. Maddox**, Anamosa, IA (US)

(73) Assignee: **DEERE & COMPANY**, Moline, IL (US)

(\*\*) Term: **15 Years**

(21) Appl. No.: **29/588,557**

(22) Filed: **Dec. 21, 2016**

(51) **LOC (11) Cl.** ..... **12-09**

(52) **U.S. Cl.**  
USPC ..... **D15/24**

(58) **Field of Classification Search**  
USPC ..... D15/10, 21-26, 11, 12; 56/14.7, 13.3, 56/13.4, 16.1, 17.6, 15.8, 25.9, 202, 255, 56/294, 320.1, 320.2  
CPC ..... A01B 69/00; G05D 1/00; G05D 1/021  
See application file for complete search history.

(56) **References Cited**

**U.S. PATENT DOCUMENTS**

D195,254 S *	5/1963	Keller et al.	.....	D15/25
3,828,952 A *	8/1974	Klee	.....	B60P 1/50 180/68.1
D294,032 S *	2/1988	Whiffin	.....	D12/15
D359,497 S *	6/1995	Rayner	.....	D15/25
5,451,135 A *	9/1995	Schempf	.....	B08B 9/0933 165/11.2
D375,506 S *	11/1996	Bastian	.....	D15/24
D428,425 S *	7/2000	Ratcliffe	.....	D12/14
D431,574 S *	10/2000	Porter	.....	D15/25
D438,218 S *	2/2001	McIlwraith	.....	D15/25

6,397,967 B1 *	6/2002	McIlwraith	.....	B60K 17/10 180/291
D460,463 S *	7/2002	Kubo	.....	D15/26
D463,454 S *	9/2002	Miller	.....	D15/22
D476,340 S	6/2003	Niebuhr et al.		
D482,701 S *	11/2003	Bares	.....	D15/24
D516,587 S *	3/2006	Bares	.....	D15/23
D555,673 S *	11/2007	Hendron	.....	D15/22
D561,785 S *	2/2008	Imashige	.....	D15/24
D587,727 S *	3/2009	Vos	.....	B62D 55/065 D15/24
D614,204 S *	4/2010	Thompson	.....	D15/24
D631,898 S *	2/2011	Major	.....	D15/24
D634,757 S *	3/2011	Mack	.....	D15/10
D657,394 S *	4/2012	Chapman	.....	D15/10
D685,394 S *	7/2013	Nagata	.....	D15/24
D707,261 S *	6/2014	Caboret	.....	D15/24
D734,211 S	7/2015	Ahn et al.		
9,265,187 B2 *	2/2016	Cavender-Bares	.....	A01C 7/00

(Continued)

*Primary Examiner* — Mark Goodwin

(57) **CLAIM**

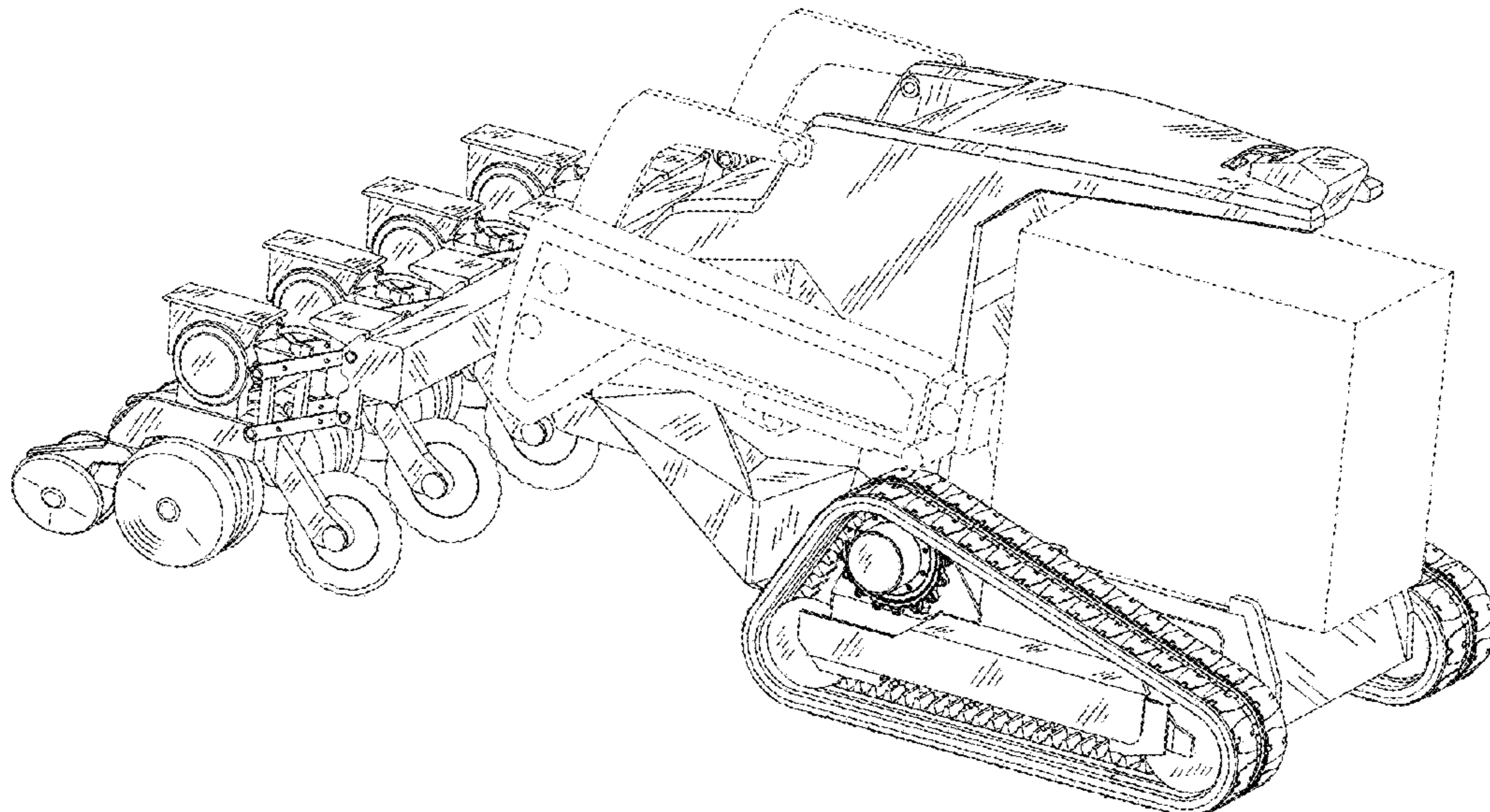
The ornamental design for an autonomous agricultural vehicle assembly, as shown and described.

**DESCRIPTION**

FIG. 1 is a left front perspective view of an autonomous agricultural vehicle assembly showing the new design; FIG. 2 is a right side elevation view thereof; FIG. 3 is a left side elevation view thereof; FIG. 4 is a front elevation view thereof; FIG. 5 is a rear elevation view thereof; FIG. 6 is a top plan view thereof; and, FIG. 7 is a bottom plan view thereof.

The ornamental design which is claimed is shown in solid lines in the drawings. The portions of the design shown in broken lines or dashed lines are included for the purpose of illustrating environment and form no part of the claimed design.

**1 Claim, 7 Drawing Sheets**



(56)

**References Cited**

U.S. PATENT DOCUMENTS

D760,809	S *	7/2016	Nicholson	.....	D15/13
9,392,743	B2 *	7/2016	Camacho-Cook	.....	A01C 15/00
D763,928	S *	8/2016	Okuyama	.....	D15/25
D786,312	S *	5/2017	Okuyama	.....	D12/14
2015/0045992	A1 *	2/2015	Ashby	.....	E02F 9/265
					701/2
2015/0105965	A1 *	4/2015	Blackwell	.....	A01B 59/002
					701/28
2015/0373905	A1 *	12/2015	Anderson	.....	A01C 21/00
					701/50

\* cited by examiner

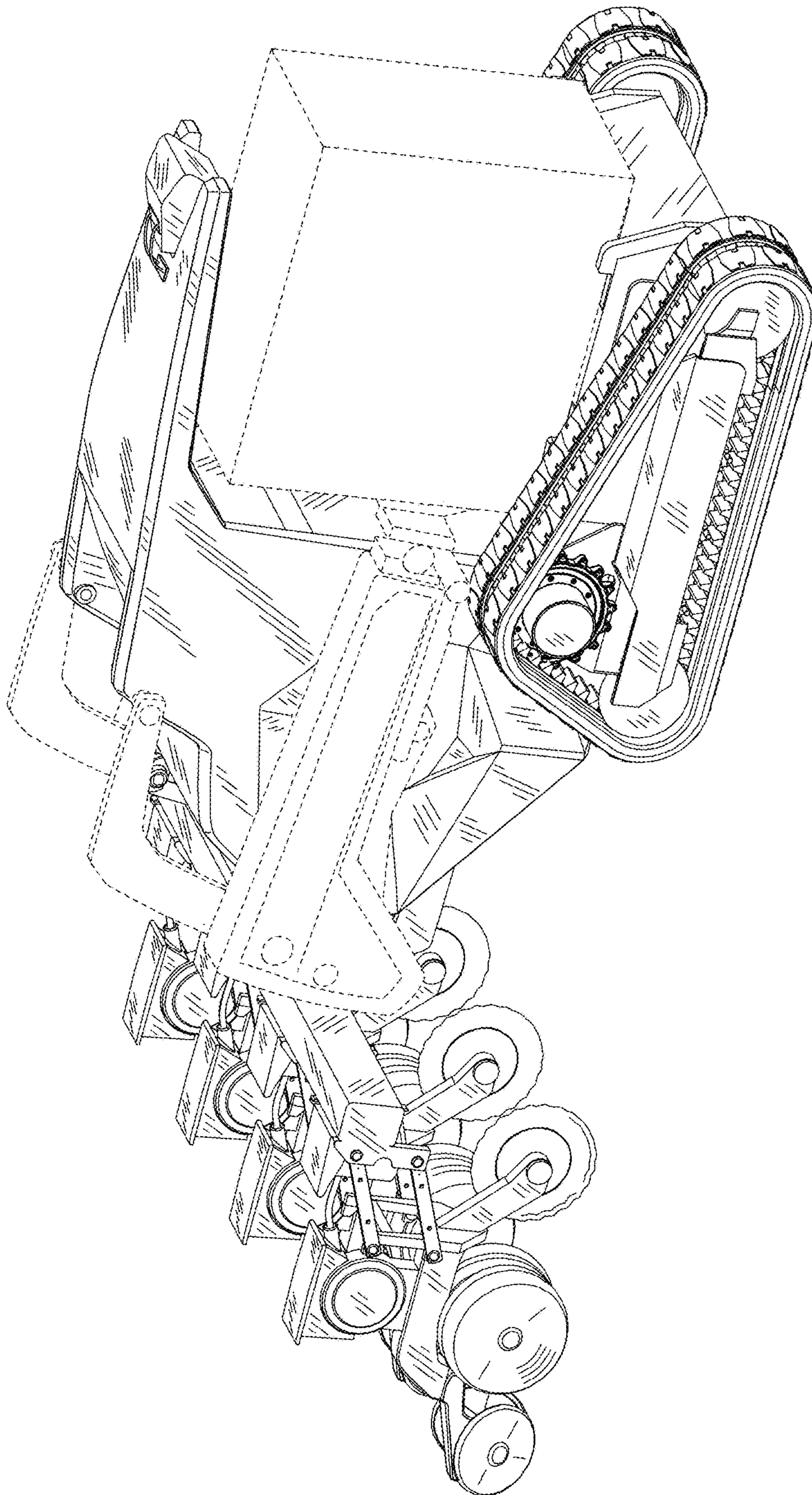


FIG. 1

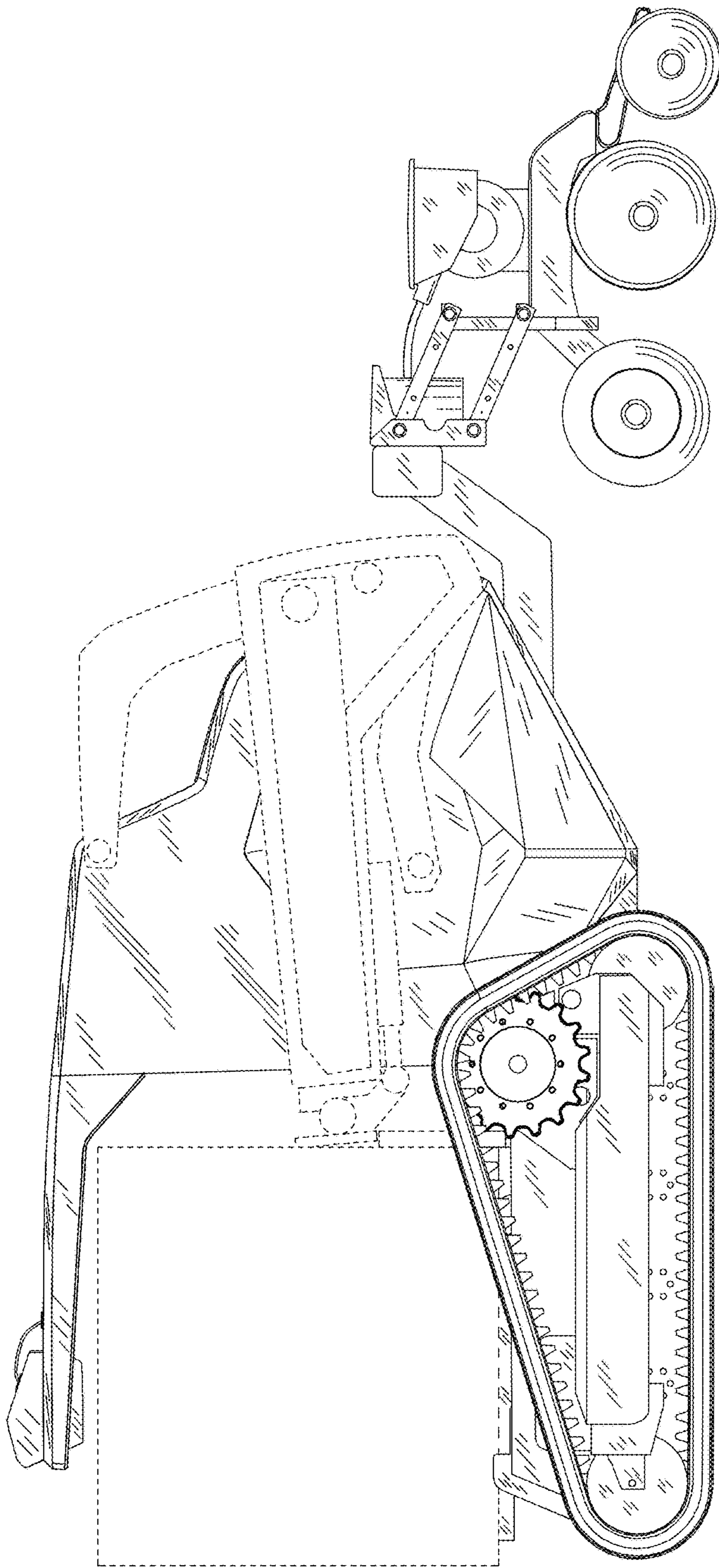


FIG. 2

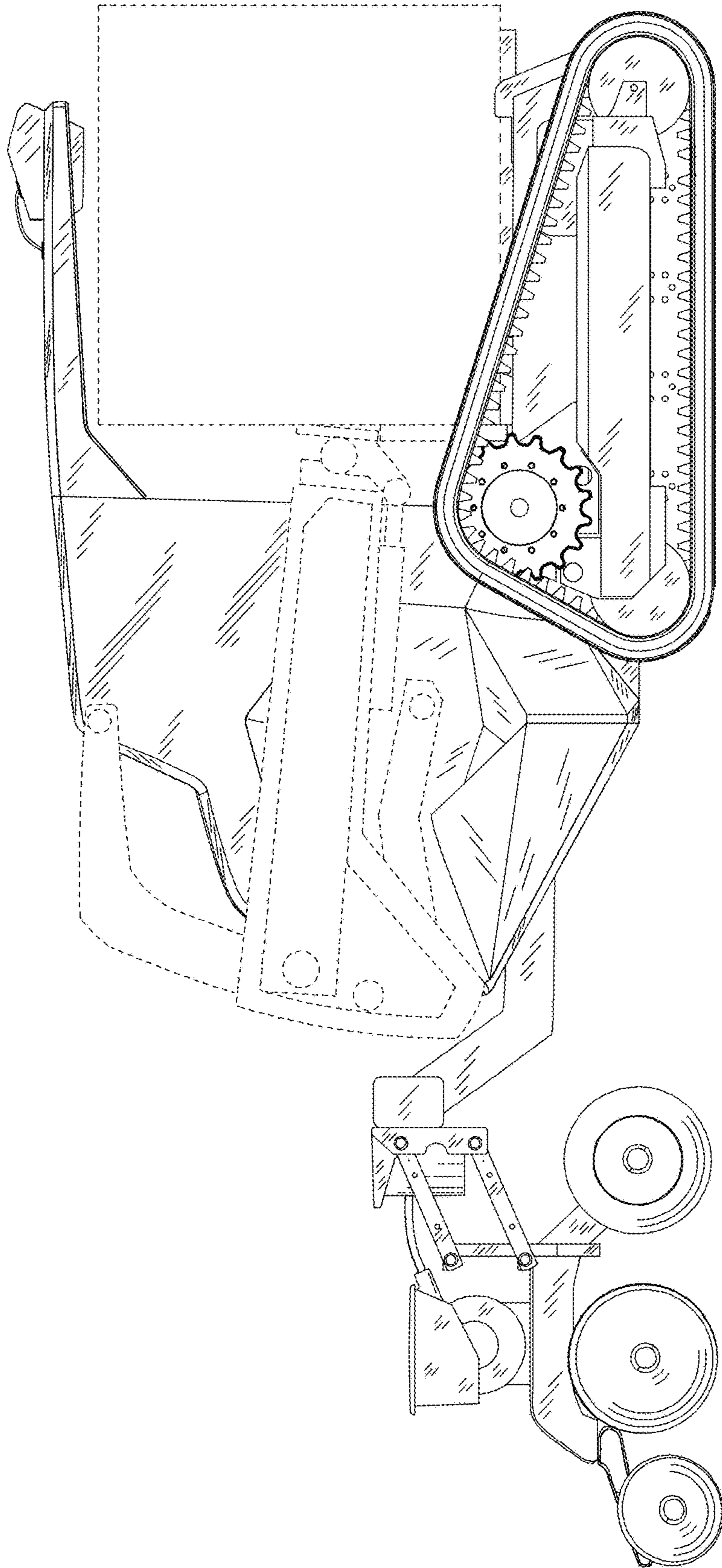


FIG. 3

FIG. 4

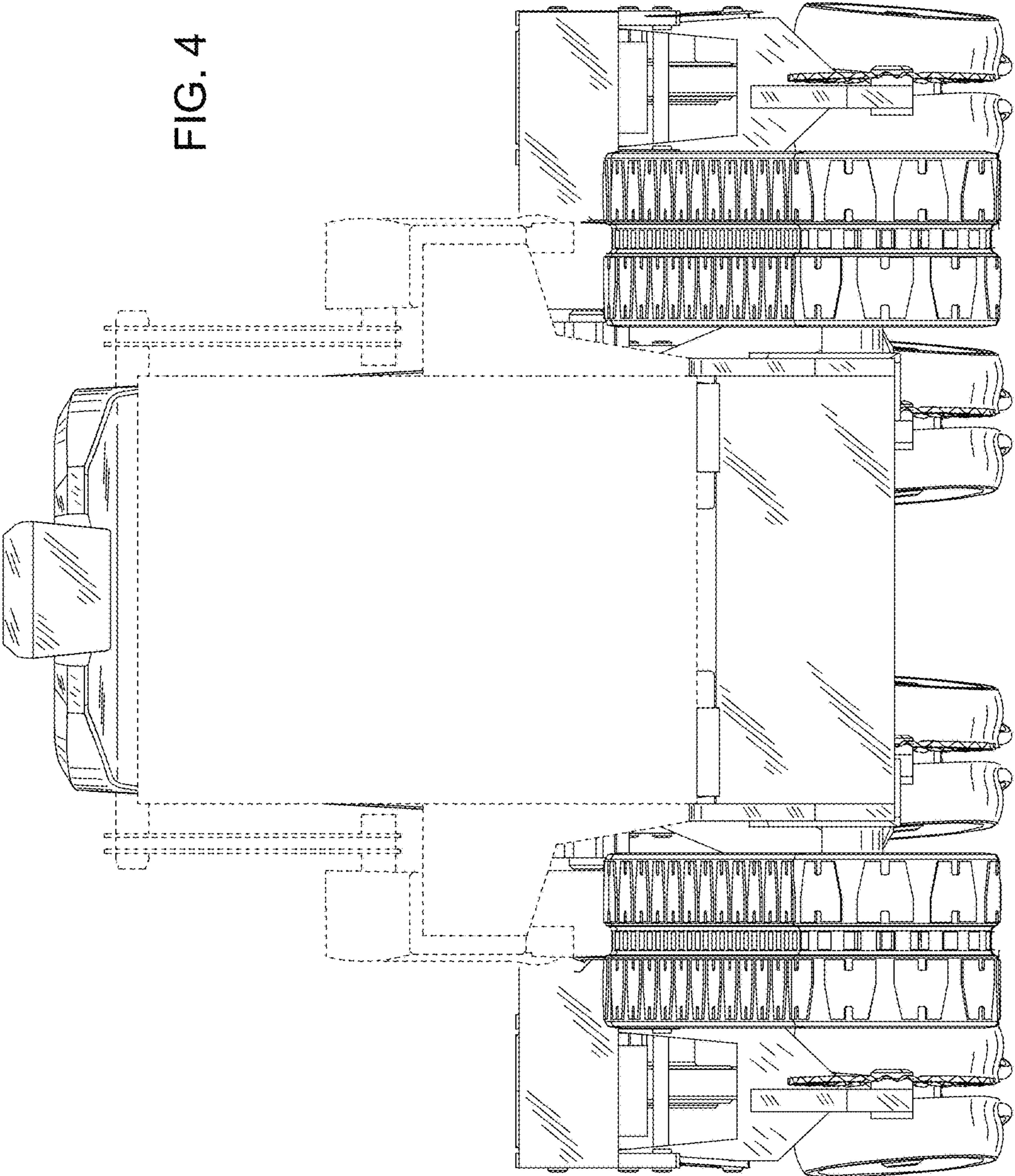
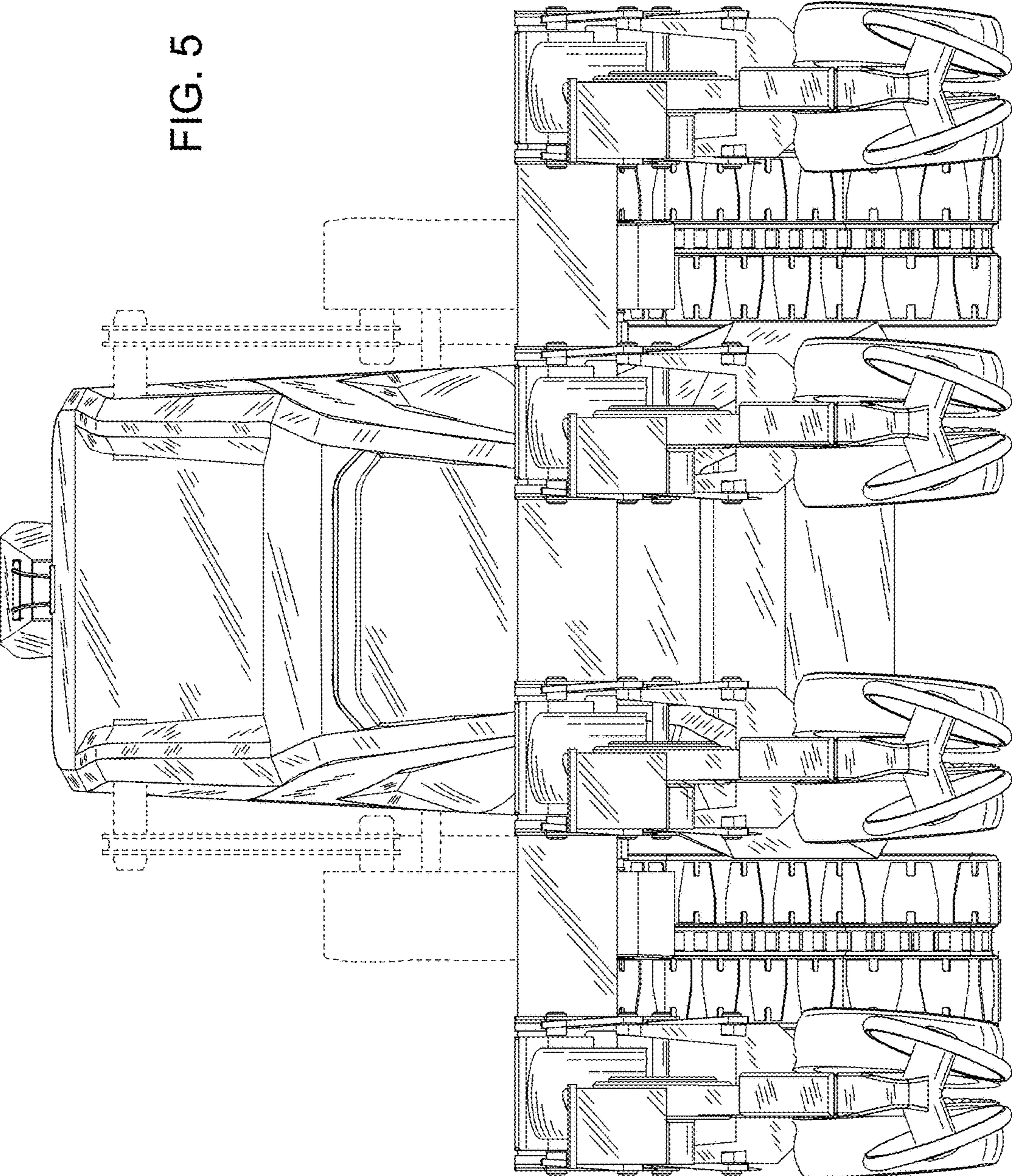


FIG. 5



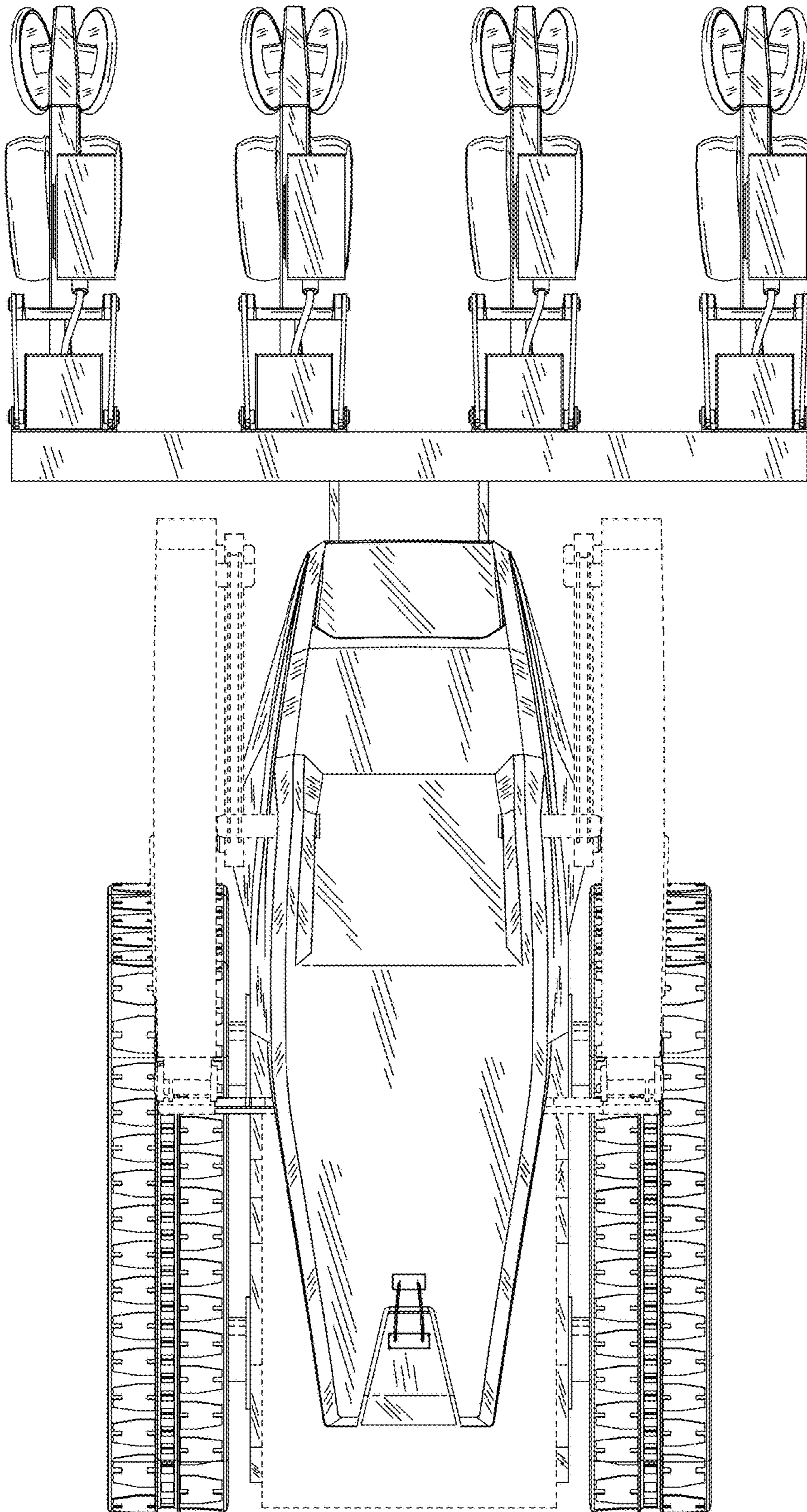


FIG. 6



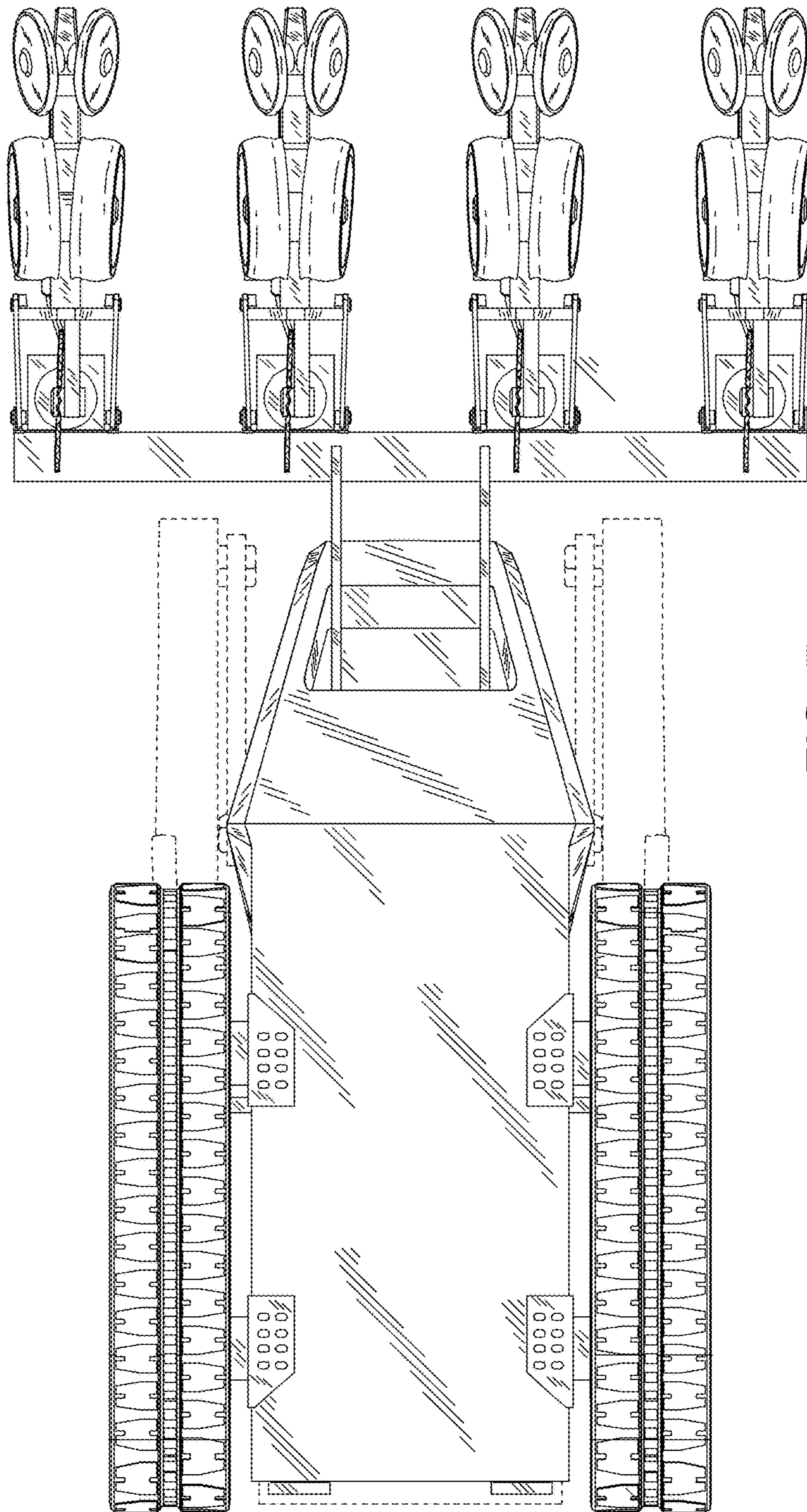


FIG. 7