



US00D808440S

(12) **United States Design Patent**
Tucker

(10) **Patent No.:** **US D808,440 S**

(45) **Date of Patent:** **** Jan. 23, 2018**

(54) **SNOW THROWER**

(71) Applicant: **CHERVON (HK) LIMITED**, Wanchai (HK)

(72) Inventor: **Dane Tucker**, Nanjing (CN)

(73) Assignee: **Chevron (HK) Limited**, Wanchai (HK)

(**) Term: **15 Years**

(21) Appl. No.: **29/582,384**

(22) Filed: **Oct. 27, 2016**

(51) **LOC (11) Cl.** **15-03**

(52) **U.S. Cl.**
USPC **D15/11; D15/12**

(58) **Field of Classification Search**
USPC D15/11, 12, 13; 37/242–250, 254, 37/257–260, 227, 214, 266, 352
CPC .. E01H 5/04; E01H 5/098; E01H 5/09; E01H 5/045; E01H 5/06; E01H 5/061; E01H 5/066; E01H 5/02; E01H 5/065; E01H 5/062; E01H 5/063; E01H 5/067; E01H 1/00; E01H 1/056; E01H 1/05; E01H 1/0809

See application file for complete search history.

(56) **References Cited**

U.S. PATENT DOCUMENTS

- 4,294,027 A * 10/1981 Edwards E01H 5/04 37/259
- D262,797 S * 1/1982 Arthur D15/12
- D269,092 S * 5/1983 Davies, III D15/12
- D270,057 S * 8/1983 Nakamura D15/12
- 4,694,594 A * 9/1987 Thorud E01H 5/04 37/233
- D305,125 S * 12/1989 Hinklin D15/11

- D307,912 S * 5/1990 Yoshida D15/12
- D314,775 S * 2/1991 Yoshida D15/11
- D320,993 S * 10/1991 Pink D15/12
- D326,457 S * 5/1992 Pink D15/11
- 5,758,436 A * 6/1998 Harms E01H 5/04 37/249
- 6,170,179 B1 * 1/2001 Paytas E01H 5/045 180/68.5
- D448,389 S * 9/2001 Katoh D15/12
- 6,745,548 B1 * 6/2004 Phillip A01D 34/824 56/10.5
- D603,428 S * 11/2009 Tashiro D15/12
- D642,596 S * 8/2011 Hinklin D15/12
- 2016/0108593 A1 * 4/2016 Cohen E01H 5/098 37/245

* cited by examiner

Primary Examiner — Mark Goodwin

(74) *Attorney, Agent, or Firm* — Greenberg Traurig, LLP

(57) **CLAIM**

What is claimed is the ornamental design for a snow thrower, as shown and described.

DESCRIPTION

FIG. 1 is a front perspective view of a snow thrower showing our new design;

FIG. 2 is a front side view thereof;

FIG. 3 is a rear side view thereof;

FIG. 4 is a left side view thereof;

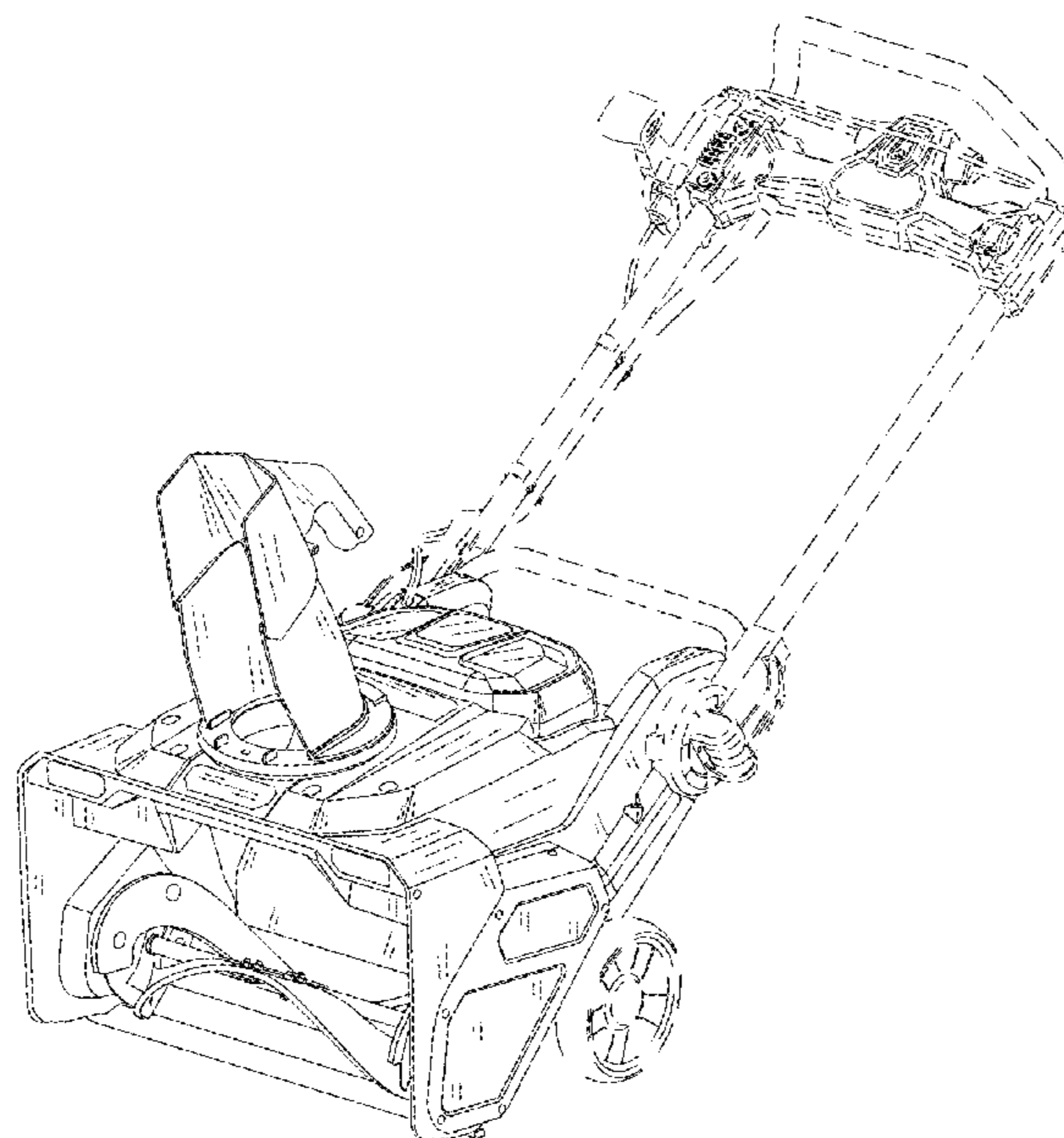
FIG. 5 is a right side view thereof;

FIG. 6 is a top plan view thereof; and,

FIG. 7 is a bottom plan view thereof.

Any elements shown in dotted and/or dashed lines are provided for illustrative purposes only and form no part of the design claimed. Any surface shading is used solely to show the character or contour of the surfaces represented.

1 Claim, 7 Drawing Sheets



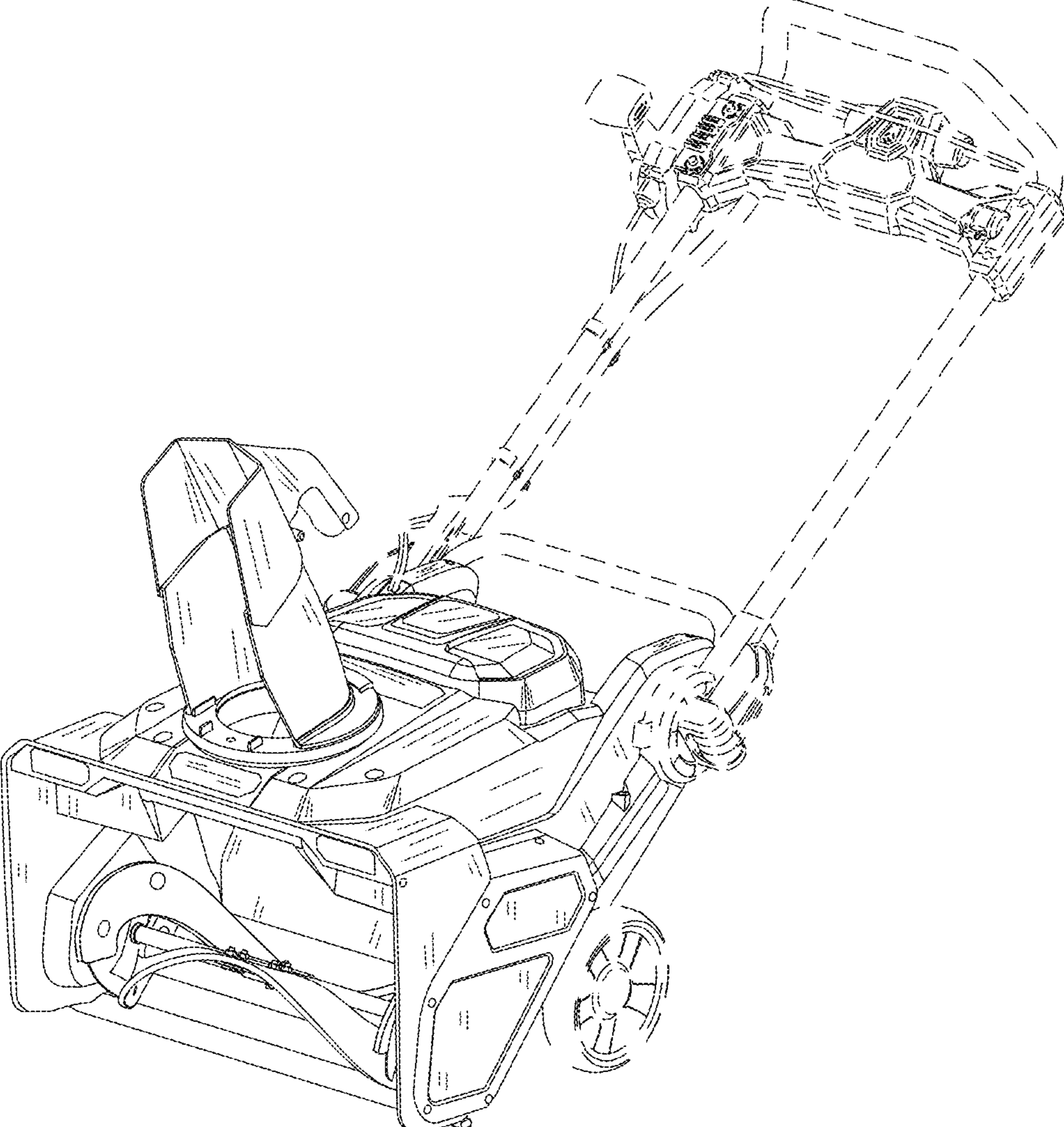


Fig. 1

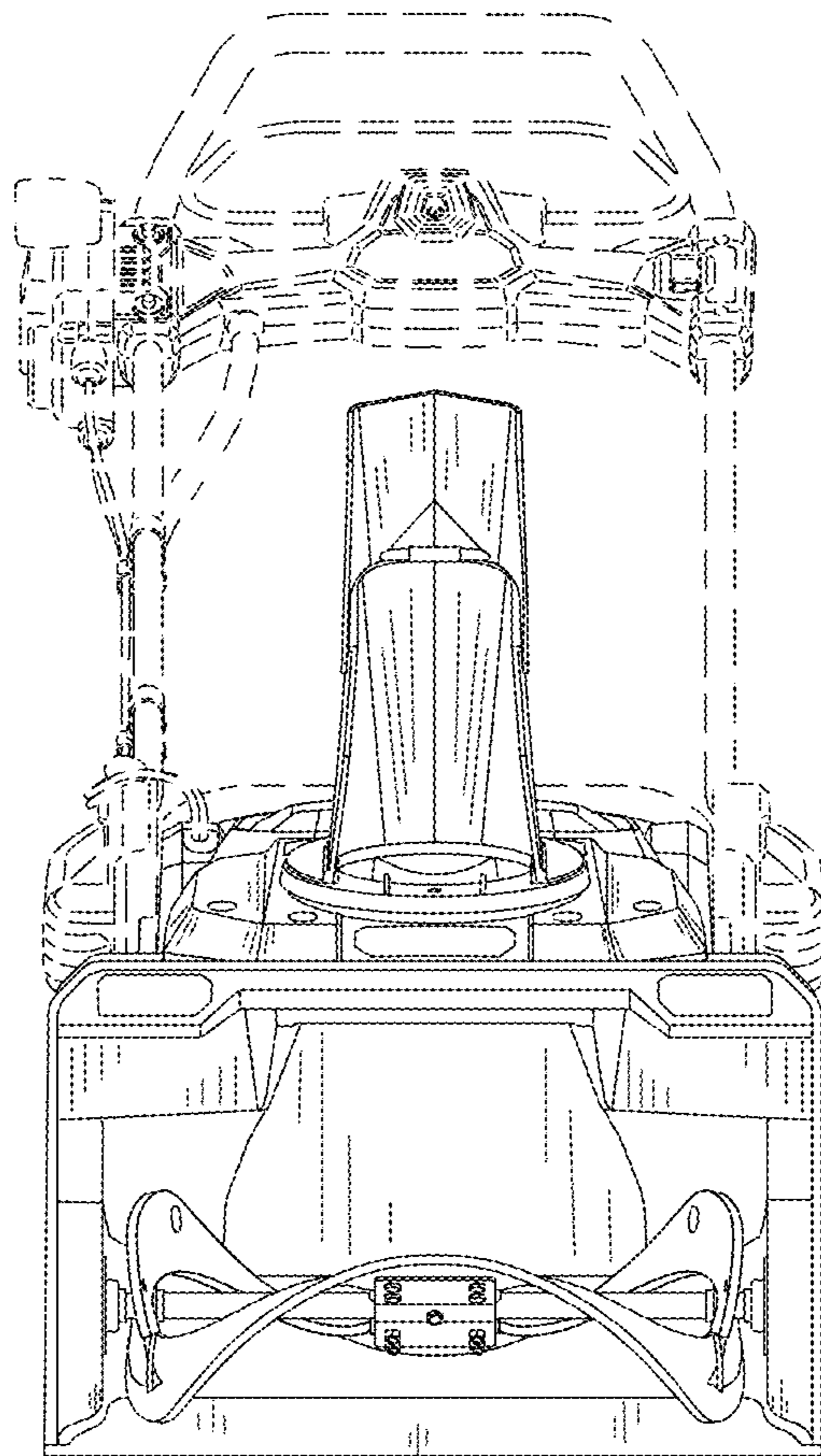


Fig. 2

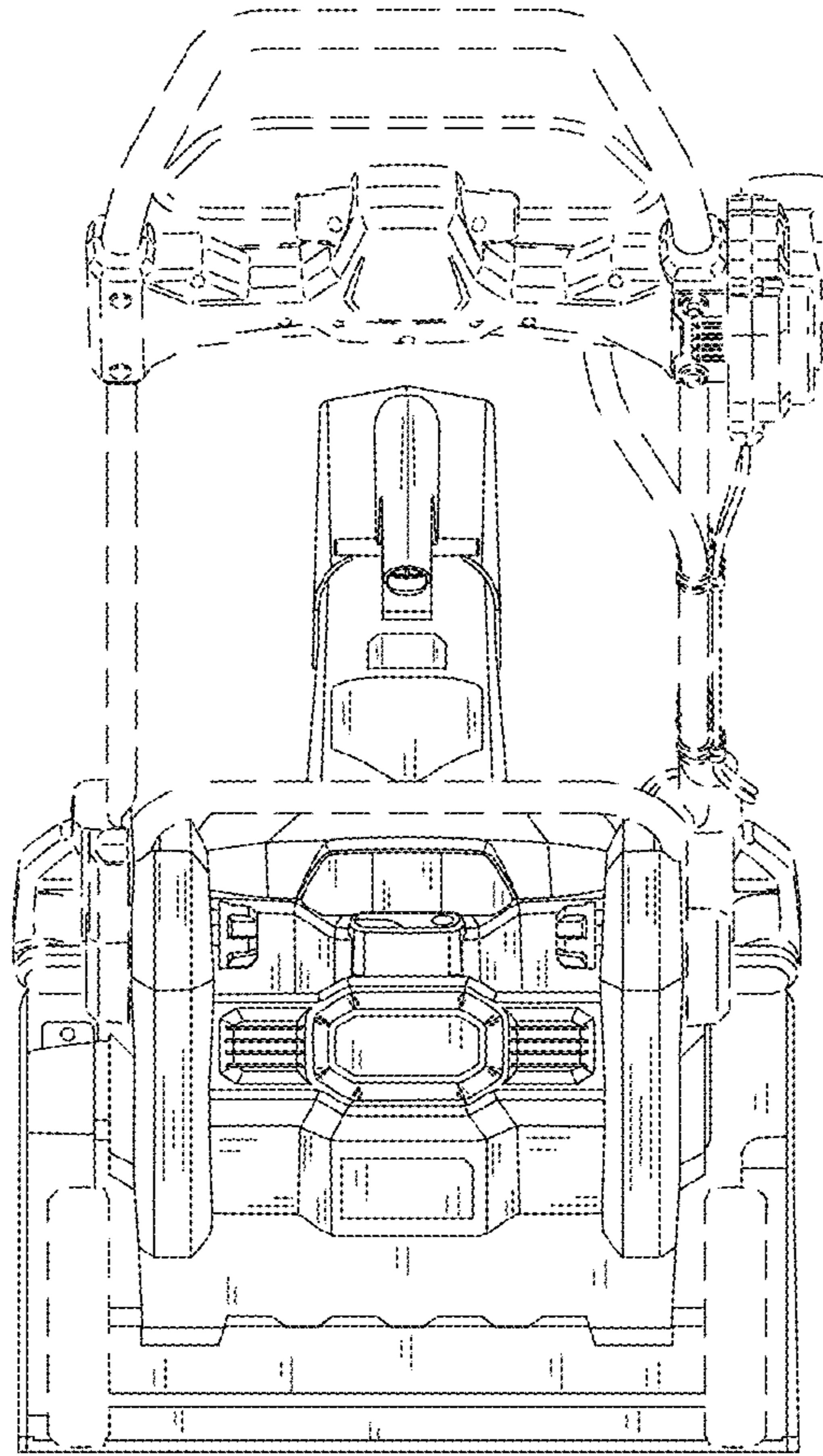


Fig. 3

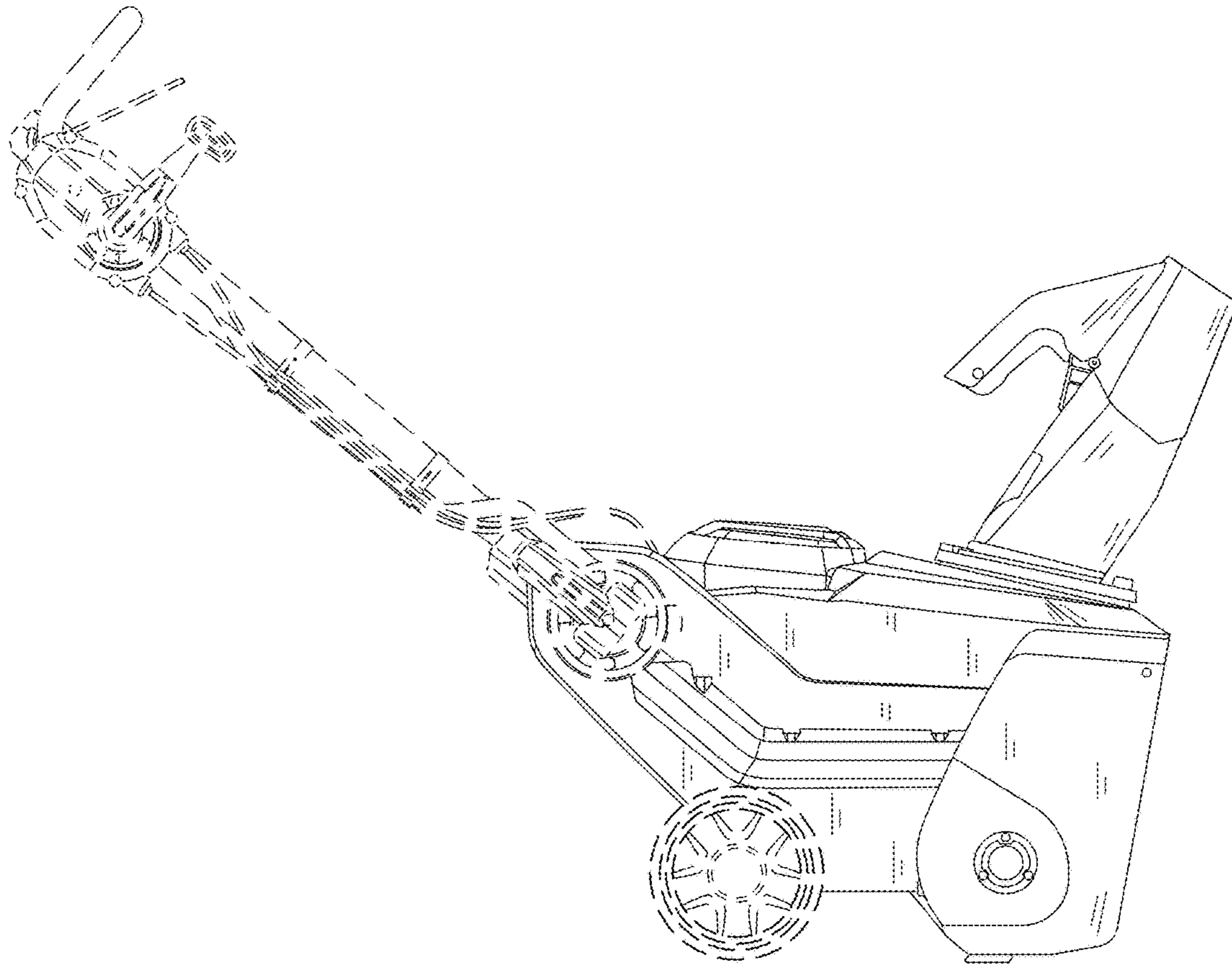


Fig. 4

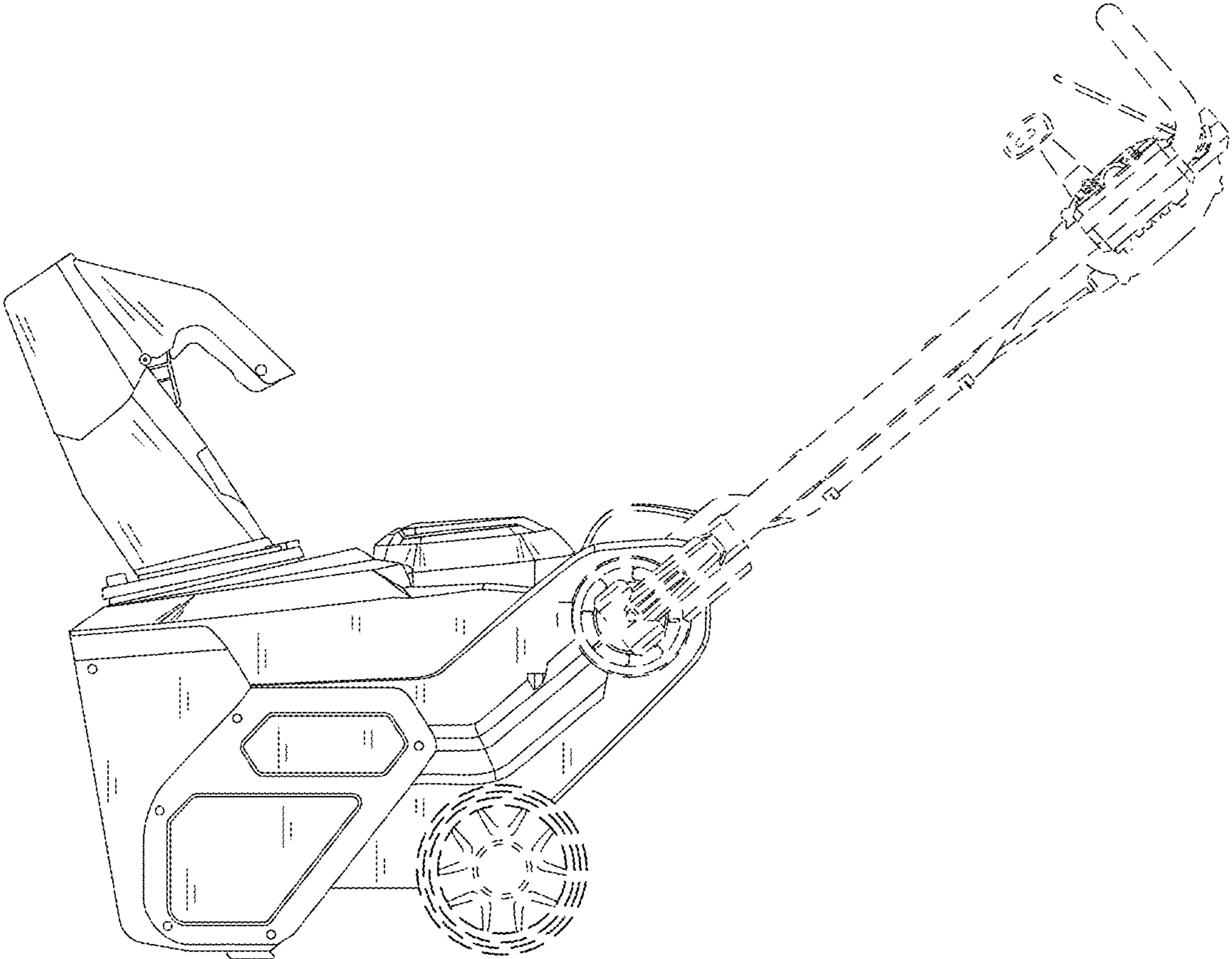


Fig. 5

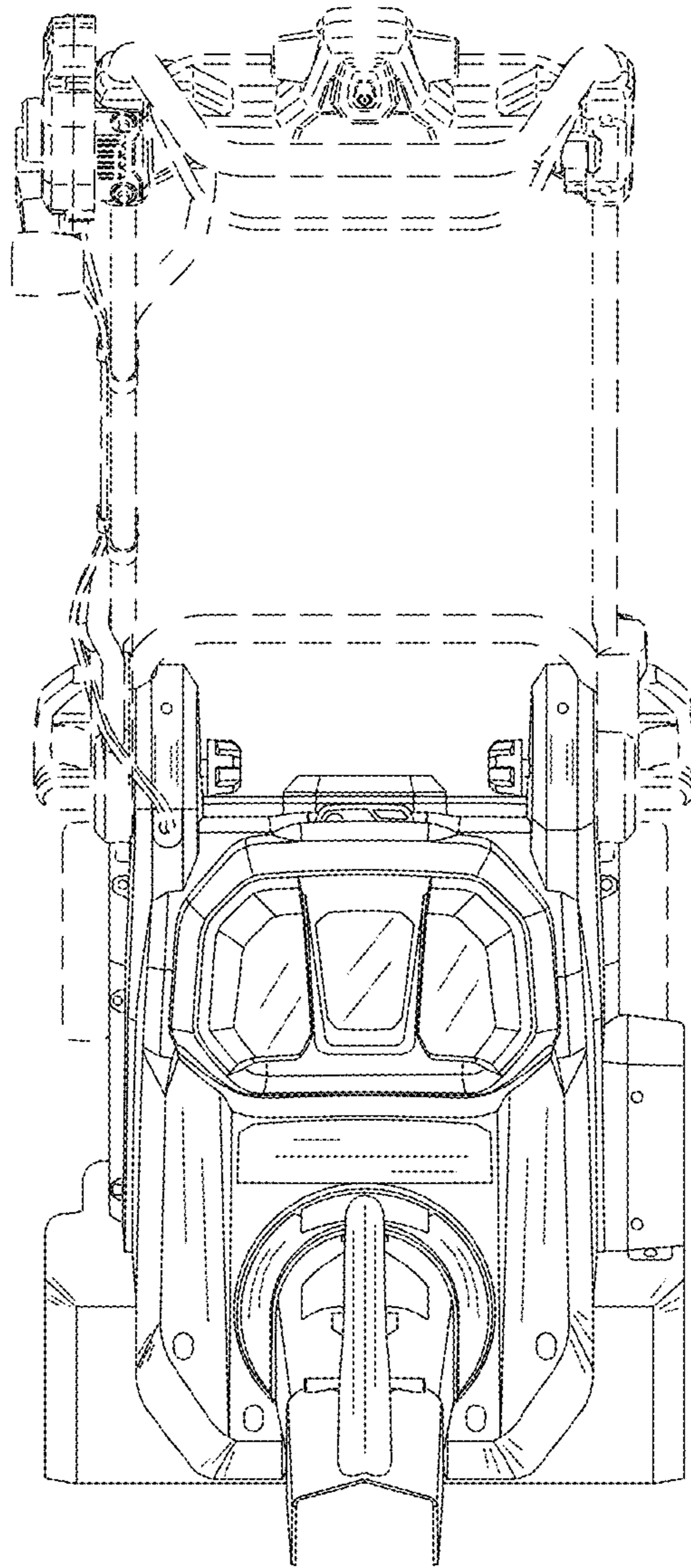


Fig. 6

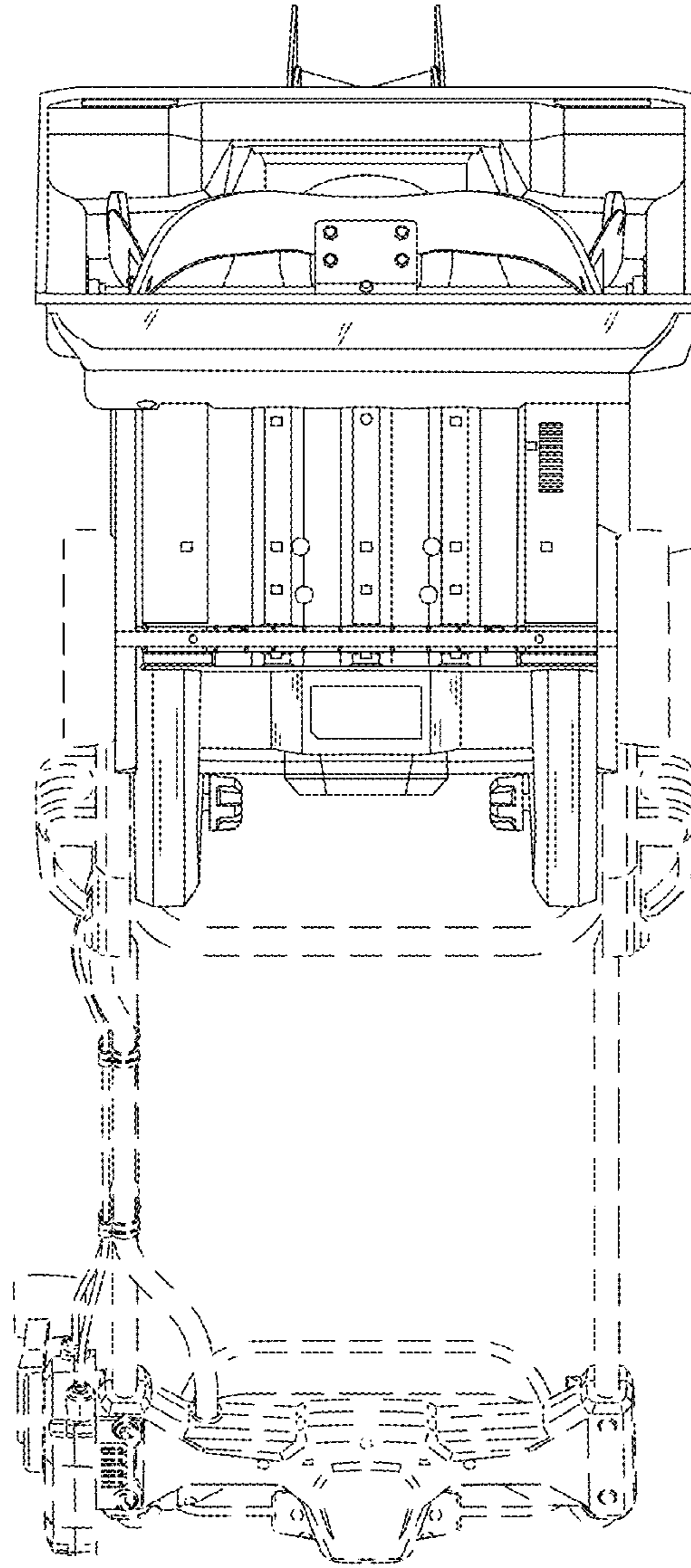


Fig. 7

UNITED STATES PATENT AND TRADEMARK OFFICE
CERTIFICATE OF CORRECTION


PATENT NO. : D808,440 S
APPLICATION NO. : 29/582384
DATED : January 23, 2018
INVENTOR(S) : Dane Tucker

Page 1 of 1

It is certified that error appears in the above-identified patent and that said Letters Patent is hereby corrected as shown below:

On the Title Page

(73) Assignee: [Chevron] should be "Chervon"

Signed and Sealed this
Tenth Day of December, 2024

Katherine Kelly Vidal
Director of the United States Patent and Trademark Office