



US00D808439S

(12) **United States Design Patent**
Hudnall et al.

(10) **Patent No.:** **US D808,439 S**
(45) **Date of Patent:** **** Jan. 23, 2018**

(54) **WATER PUMP SPACER**

(71) Applicant: **Holley Performance Products, Inc.**,
Bowling Green, KY (US)

(72) Inventors: **Coy Hudnall**, Bowling Green, KY
(US); **Kevin Tracy**, Port Charlotte, FL
(US)

(73) Assignee: **Holley Performance Products, Inc.**,
Bowling Green, KY (US)

(**) Term: **15 Years**

(21) Appl. No.: **29/603,386**

(22) Filed: **May 9, 2017**

(51) **LOC (11) Cl.** **15-02**

(52) **U.S. Cl.**
USPC **D15/7**

(58) **Field of Classification Search**
USPC D15/7-9; D23/231, 232, 225; 417/60,
417/235, 265, 321, 355, 358, 363, 359,
(Continued)

(56) **References Cited**

U.S. PATENT DOCUMENTS

D327,277 S * 6/1992 Bellis D15/7
D410,470 S * 6/1999 Filipek D15/7
(Continued)

Primary Examiner — Ralf T Seifert

(74) *Attorney, Agent, or Firm* — Middleton Reutlinger

(57) **CLAIM**

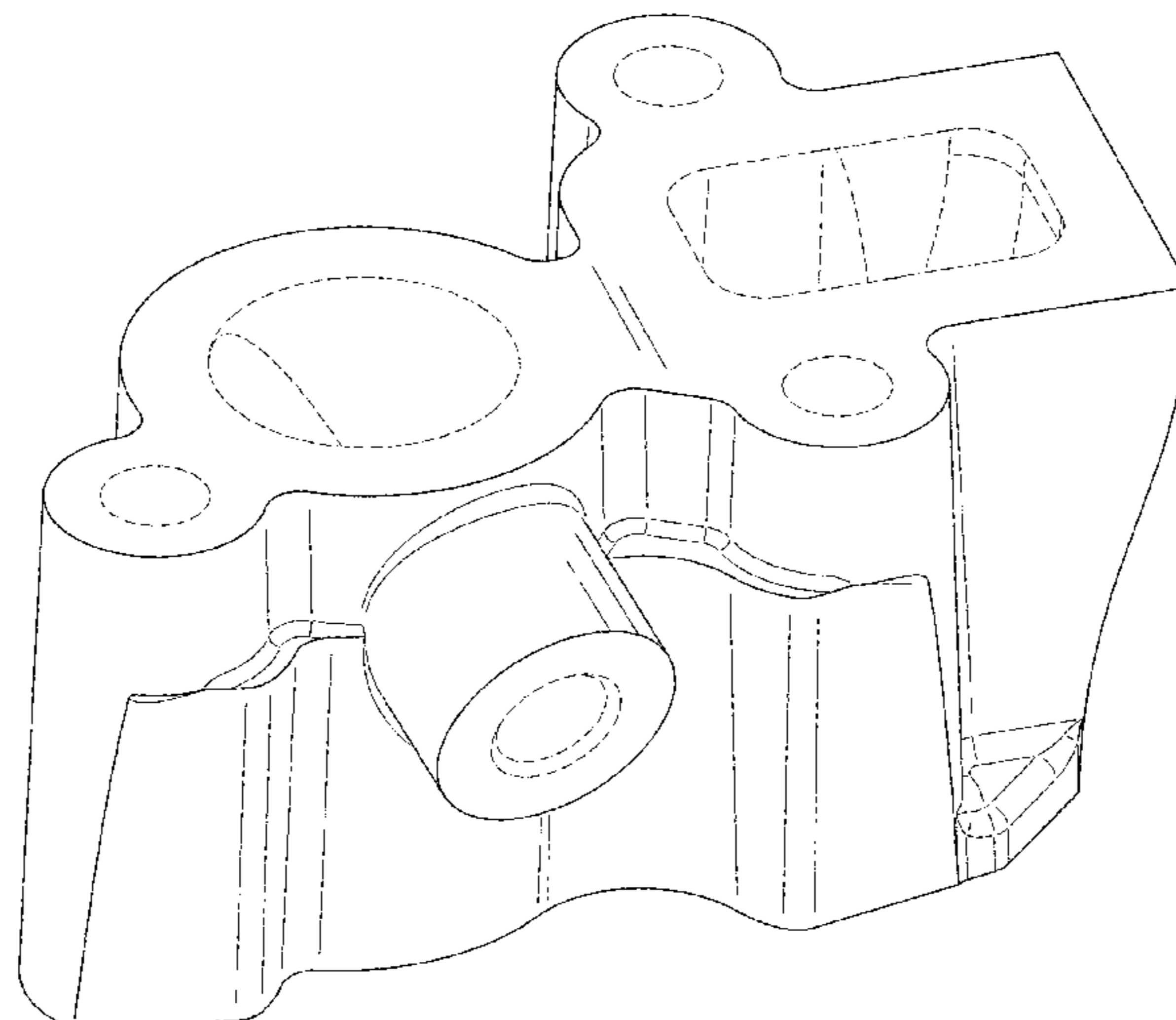
The ornamental design for a water pump spacer, as shown
and described.

DESCRIPTION

FIG. 1 is an upper perspective view of a first water pump
spacer design;

FIG. 2 is a top view of the water pump spacer of FIG. 1;
FIG. 3 is a bottom view of the water pump spacer of FIG.
1;
FIG. 4 is a left side view of the water pump spacer of FIG.
1;
FIG. 5 is a right side view of the water pump spacer of FIG.
1;
FIG. 6 is a front view of the water pump spacer of FIG. 1;
FIG. 7 is a rear view of the water pump spacer of FIG. 1;
FIG. 8 is a lower perspective view of the first water pump
spacer design of FIG. 1;
FIG. 9 is an upper perspective view of a second water pump
spacer design;
FIG. 10 is a top view of the water pump spacer of FIG. 9;
FIG. 11 is a bottom view of the water pump spacer of FIG.
9;
FIG. 12 is a left side view of the water pump spacer of FIG.
9;
FIG. 13 is a right side view of the water pump spacer of FIG.
9;
FIG. 14 is a front view of the water pump spacer of FIG. 9;
FIG. 15 is a rear view of the water pump spacer of FIG. 9;
FIG. 16 is a lower perspective view of the second water
pump spacer design of FIG. 9;
FIG. 17 is an upper perspective view of a third water pump
spacer design;
FIG. 18 is a top view of the water pump spacer of FIG. 17;
FIG. 19 is a bottom view of the water pump spacer of FIG.
17;
FIG. 20 is a left side view of the water pump spacer of FIG.
17;
FIG. 21 is a right side view of the water pump spacer of FIG.
17;
FIG. 22 is a front view of the water pump spacer of FIG. 17;
FIG. 23 is a rear view of the water pump spacer of FIG. 17;
and,
FIG. 24 is a lower perspective view of the third water pump
spacer design of FIG. 17.
The broken line disclosure represents unclaimed portions of
the water pump spacer in which the design is embodied.

1 Claim, 24 Drawing Sheets



(58) **Field of Classification Search**

USPC 417/410.1, 415–416, 405, 900, 269, 539;
 60/408, 412; 184/26–37; 415/140–147;
 123/495, 509; 137/565.34

CPC F02M 37/04; F02M 37/14; F04B 53/92;
 F04B 1/005; F04B 17/00; F01P 5/10

See application file for complete search history.

(56) **References Cited**

U.S. PATENT DOCUMENTS

D436,968	S *	1/2001	Cook	D15/7
6,267,554	B1 *	7/2001	Heer	F01P 5/10 415/170.1
D490,820	S *	6/2004	Schoemneyr	D15/7
D537,844	S *	3/2007	Chu	D15/9
D563,435	S *	3/2008	Charlet	D15/7
D645,478	S *	9/2011	Iwanicki	D15/7
D695,788	S *	12/2013	Wilkinson	D15/7
D698,829	S *	2/2014	Singh	D15/7
D700,217	S *	2/2014	Chu	D15/9
D700,218	S *	2/2014	Chu	D15/9
D735,243	S *	7/2015	Nam	D15/9
D775,235	S *	12/2016	Huckey	D15/5
9,631,546	B2 *	4/2017	Huckey	F01P 5/12
2011/0088638	A1 *	4/2011	Yamagata	F01P 5/10 123/41.44
2012/0079997	A1 *	4/2012	Iwanicki	F01P 5/10 123/41.44

* cited by examiner

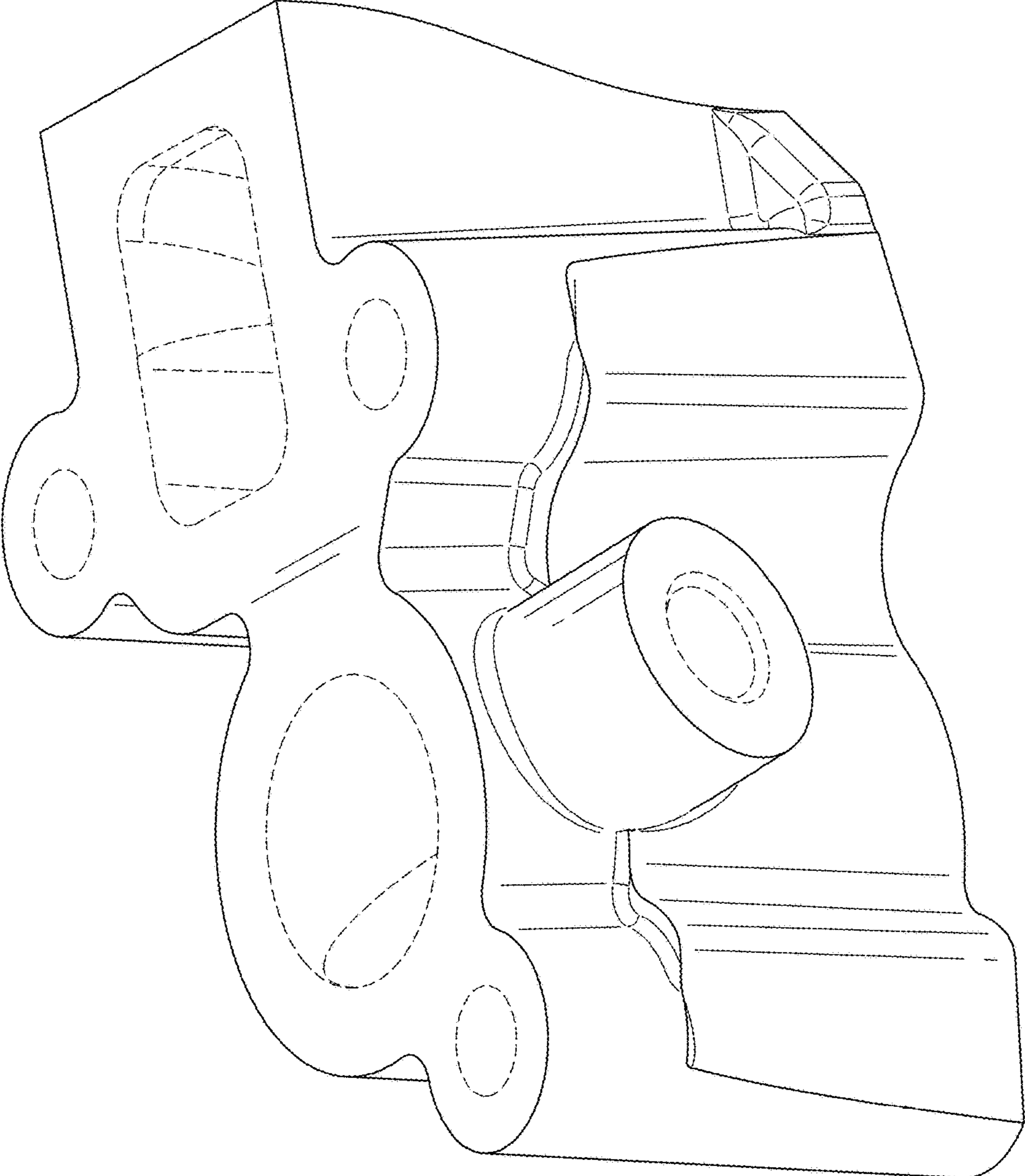


FIG. 1

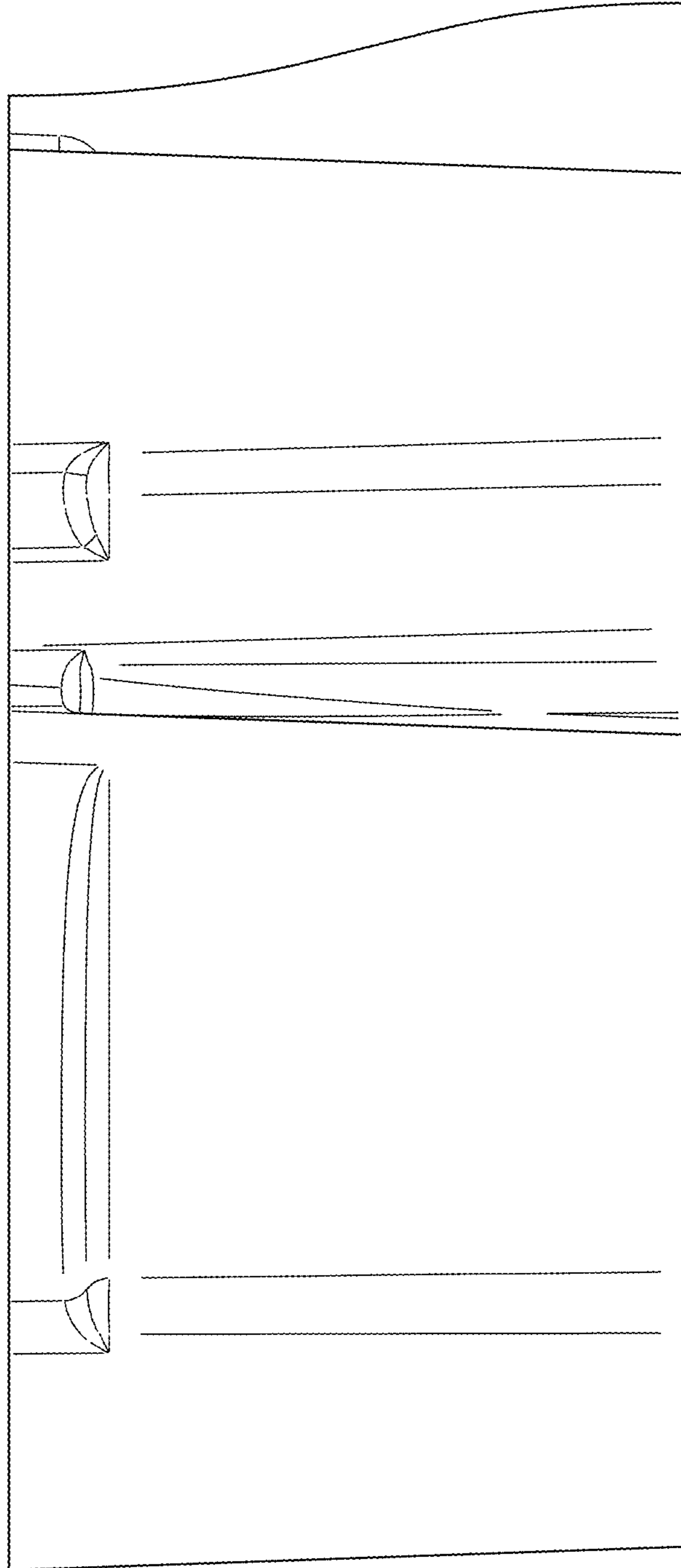


FIG. 2

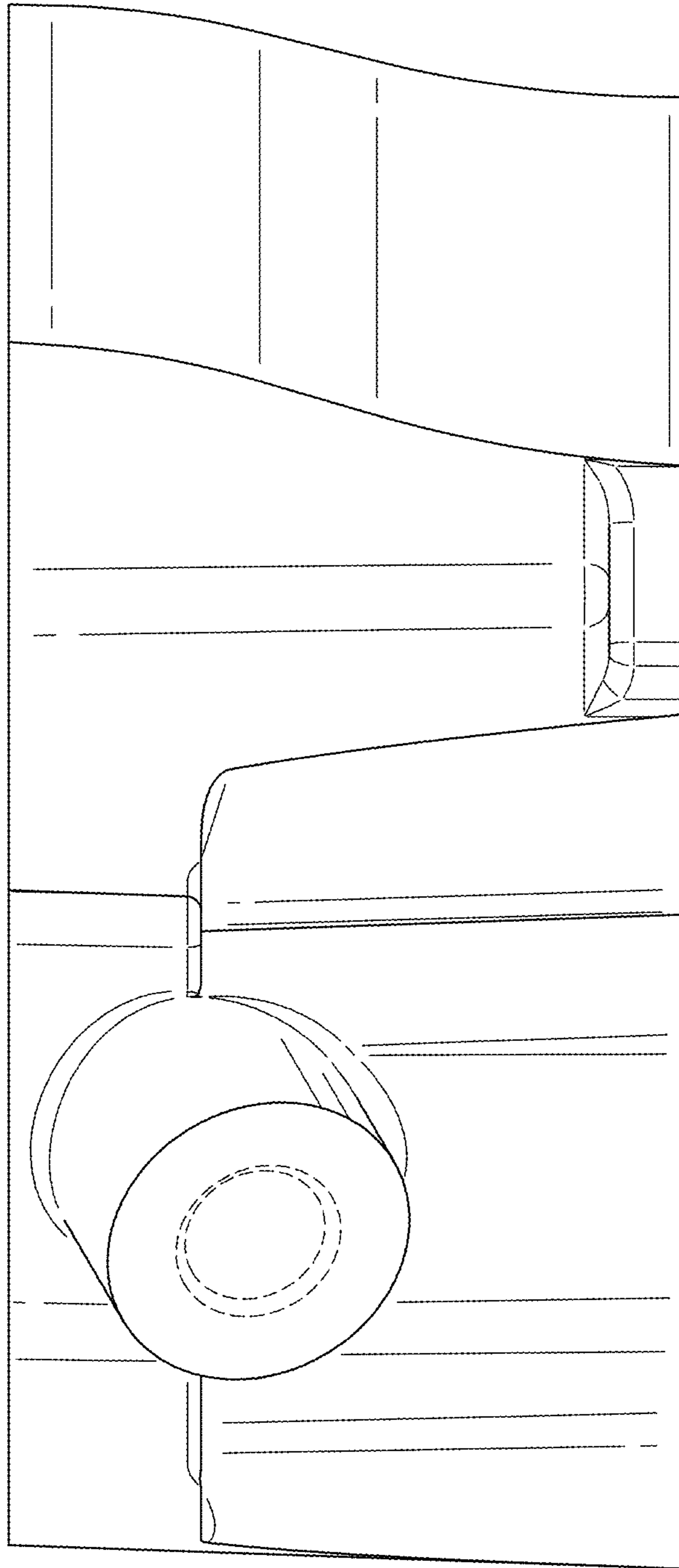


FIG. 3

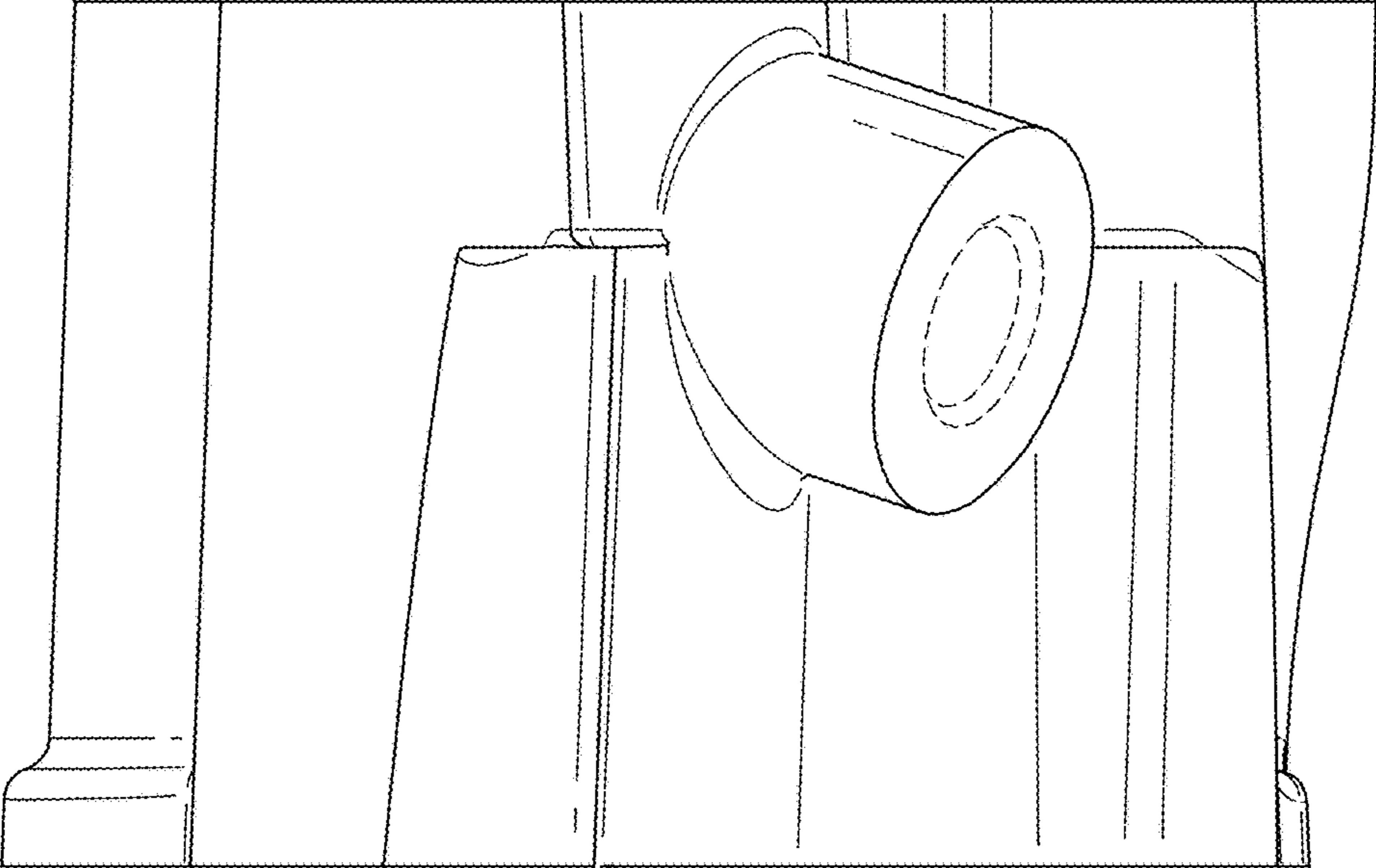


FIG. 4

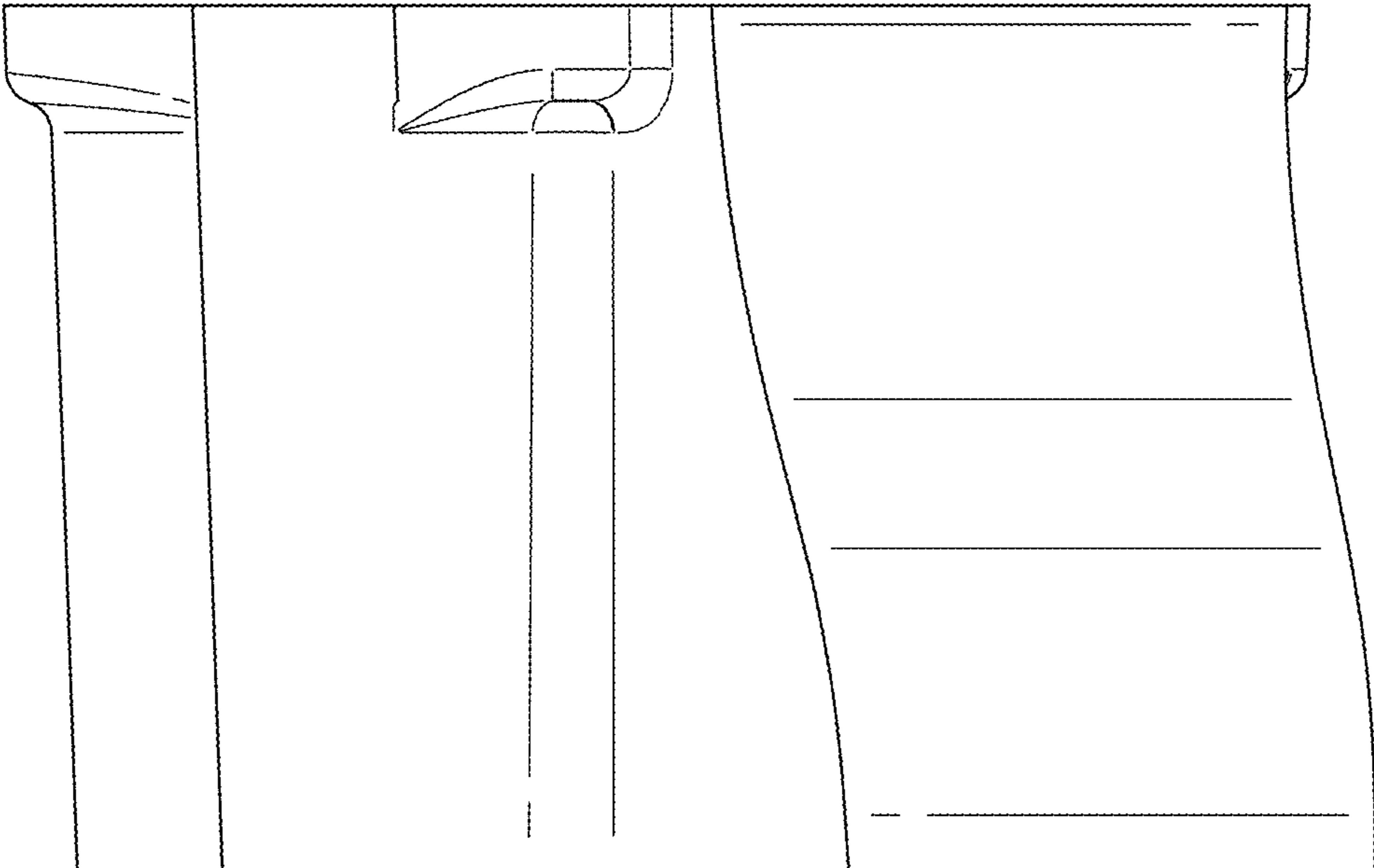


FIG. 5

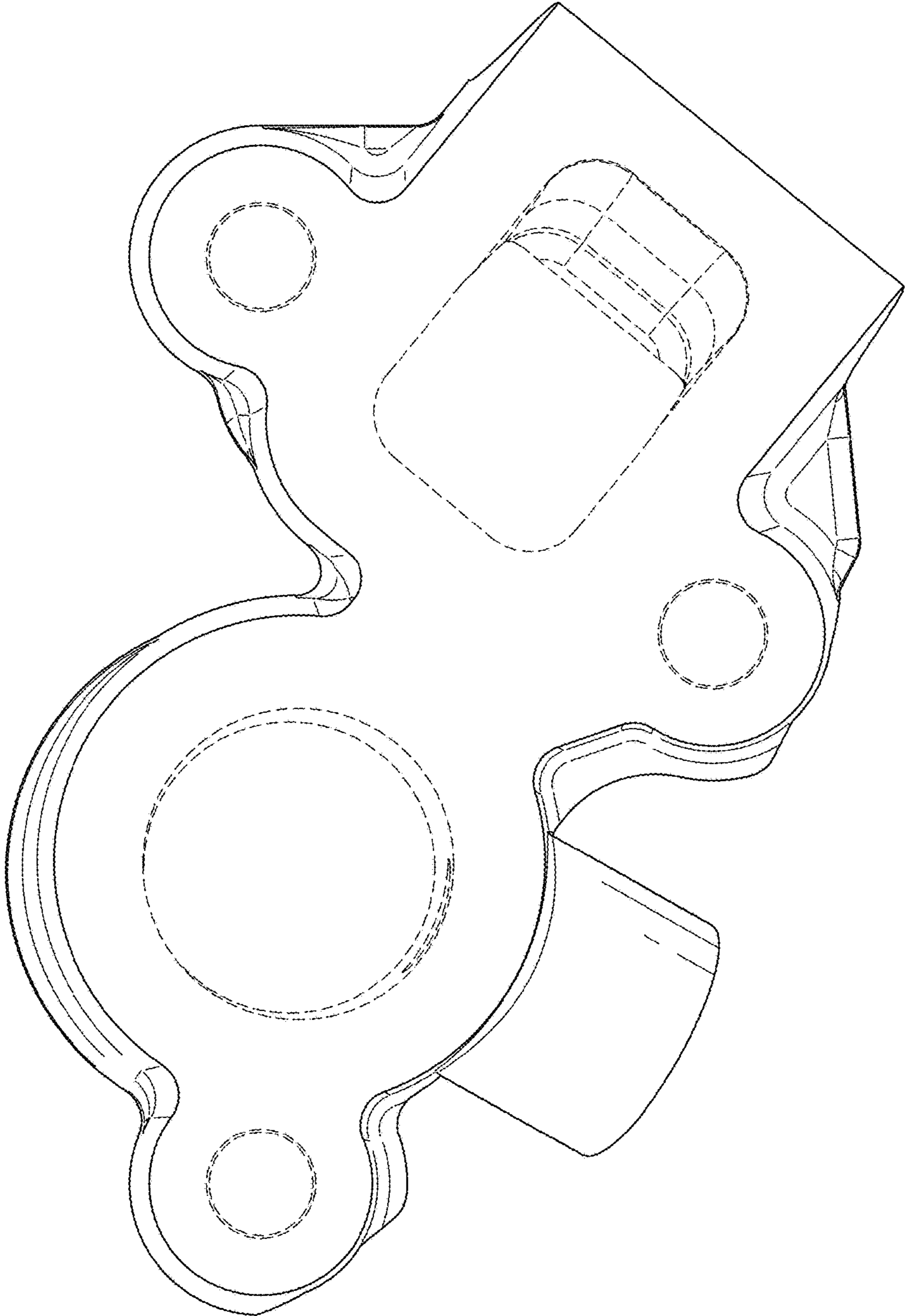


FIG. 6

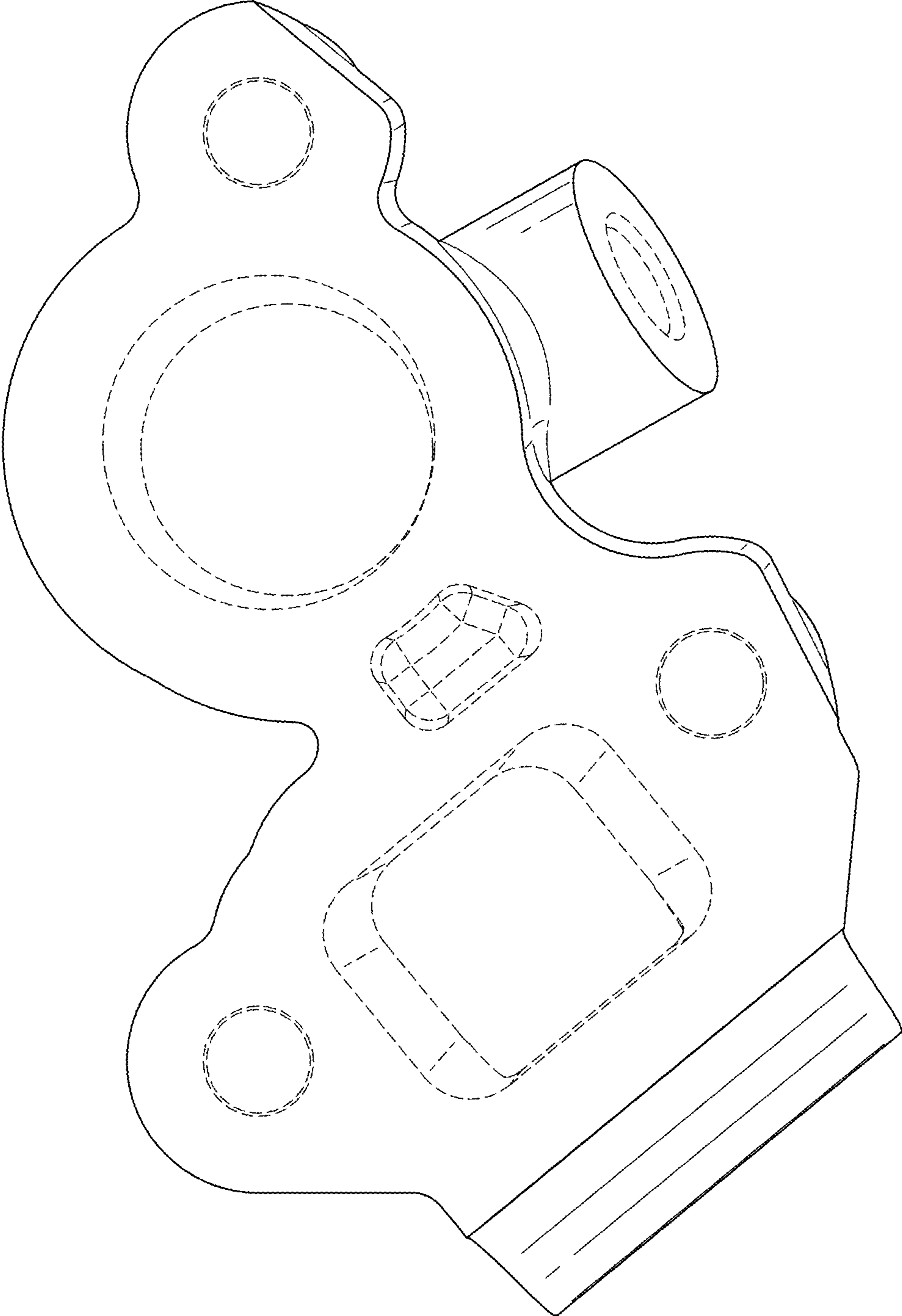


FIG. 7

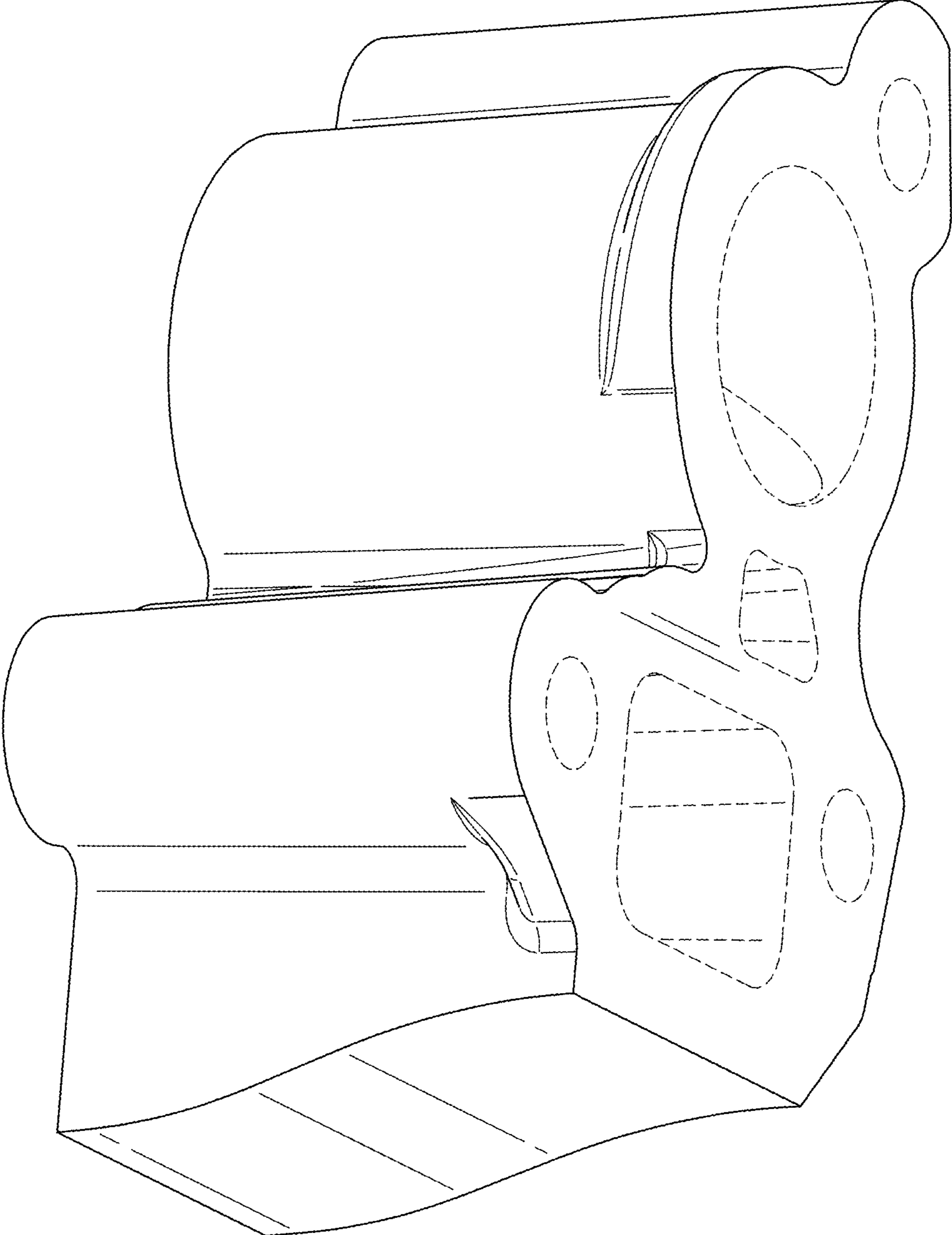


FIG. 8

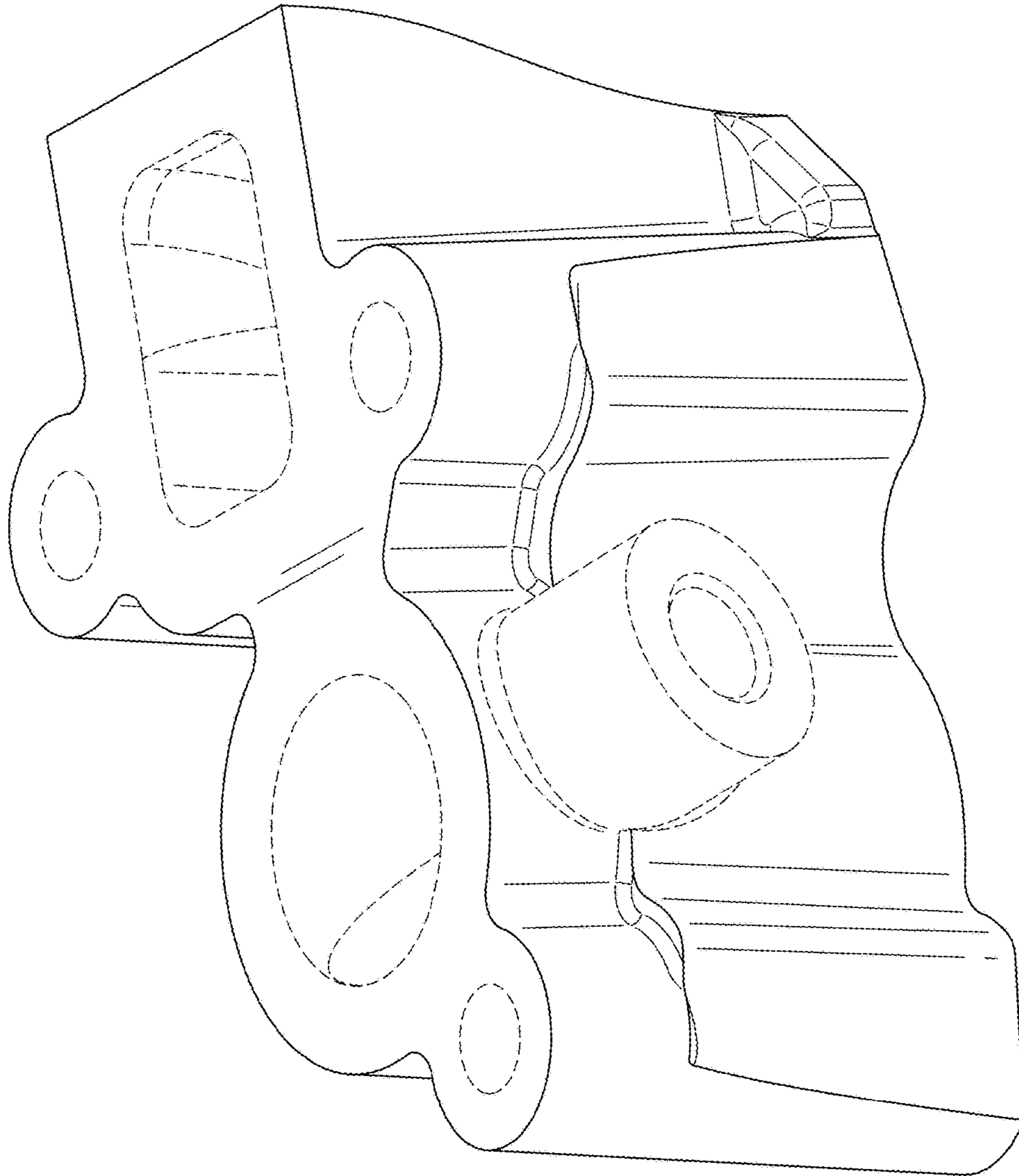


FIG. 9

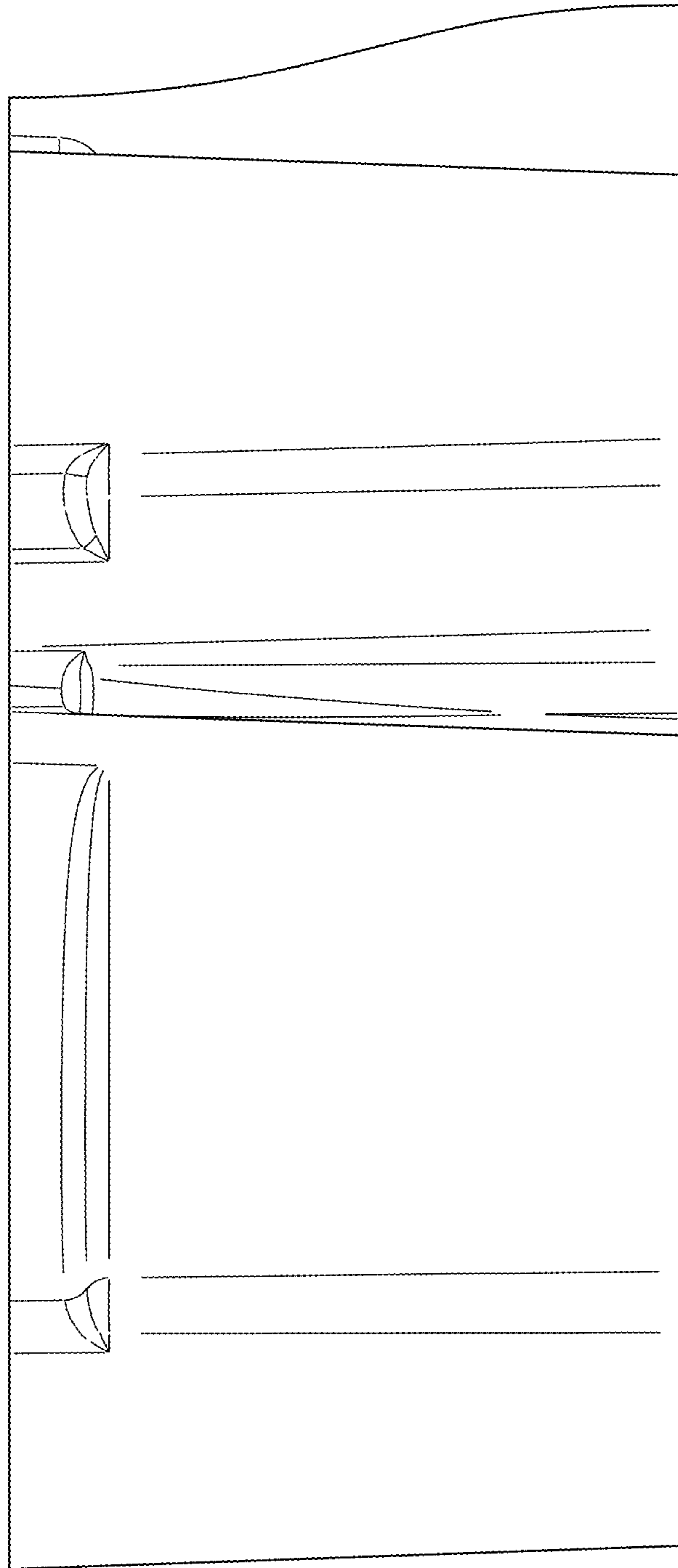


FIG. 10

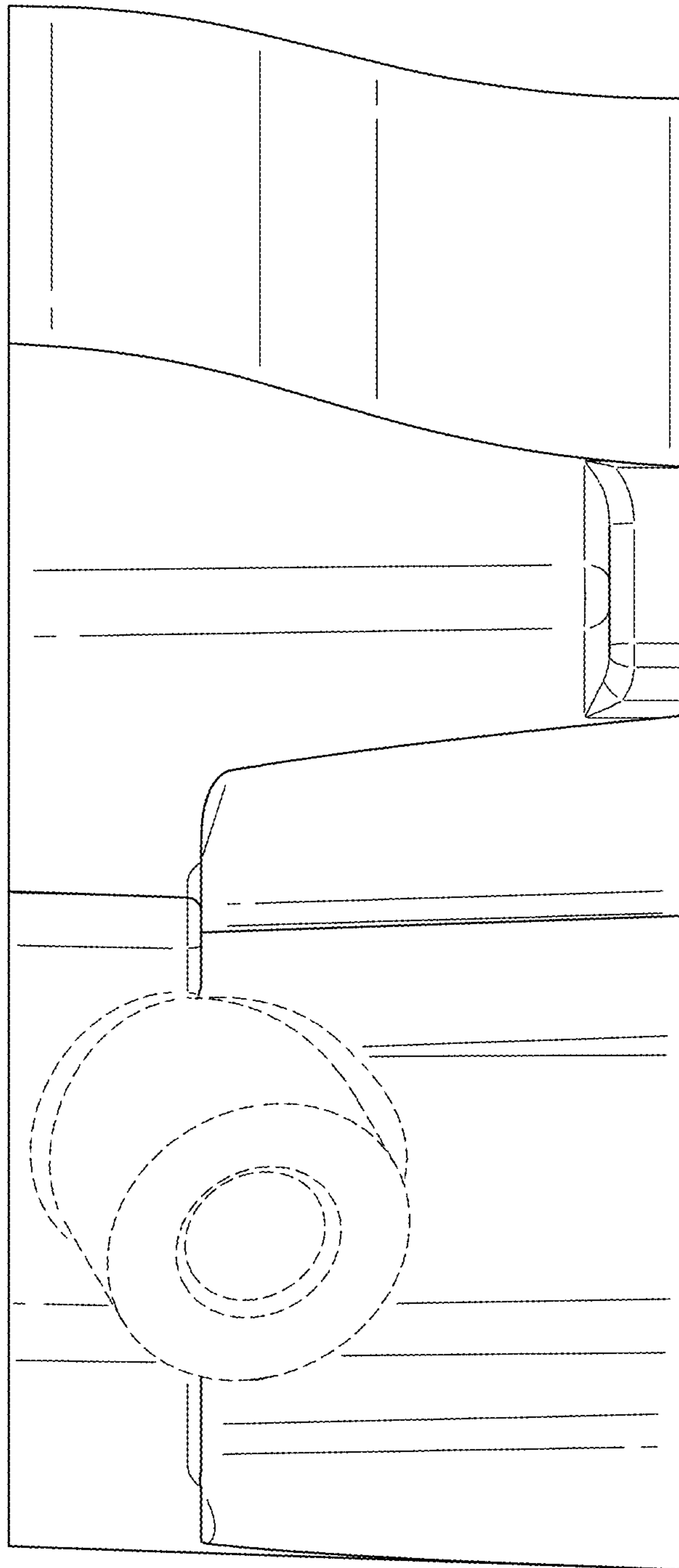


FIG. 11

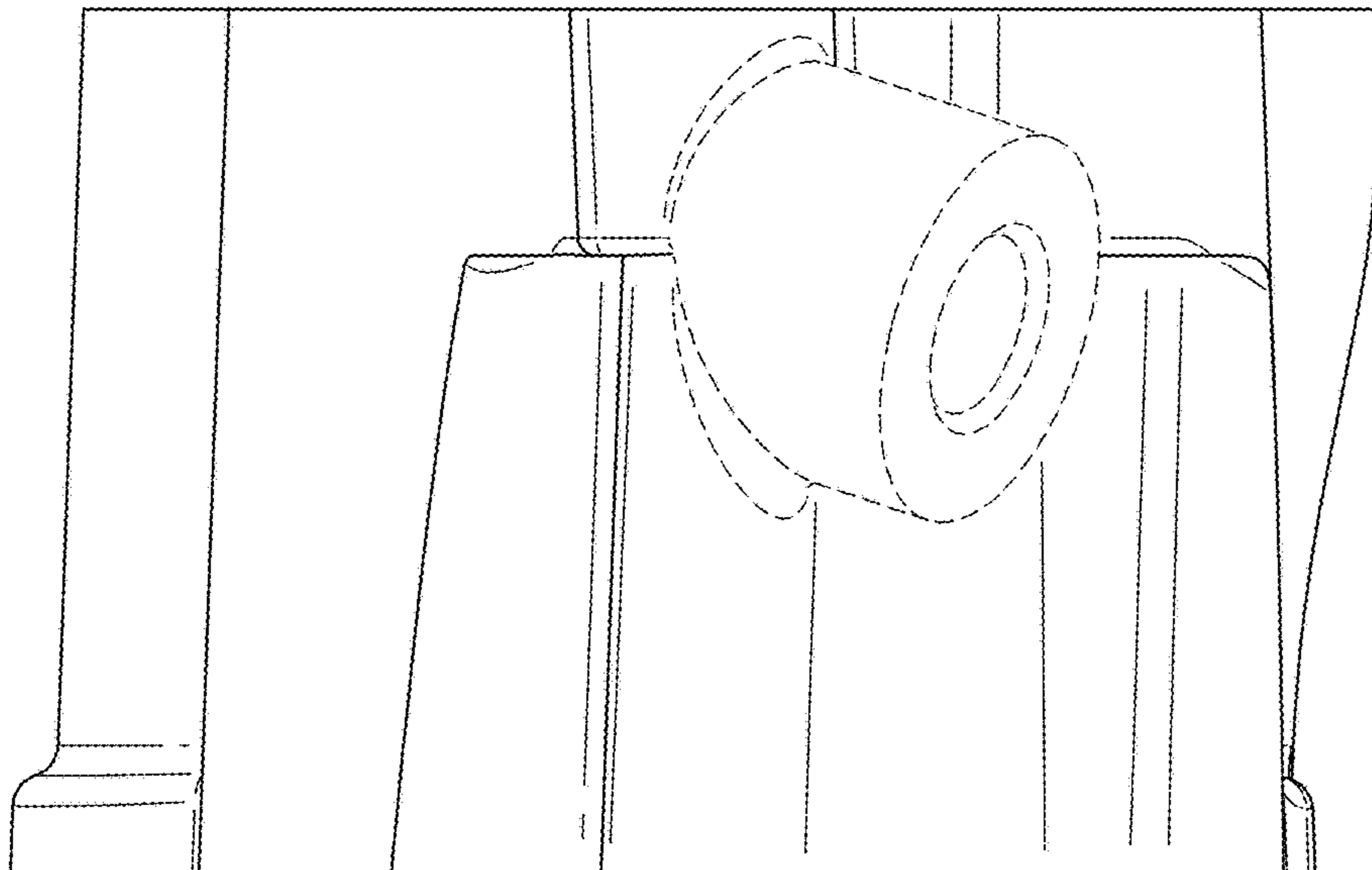


FIG. 12

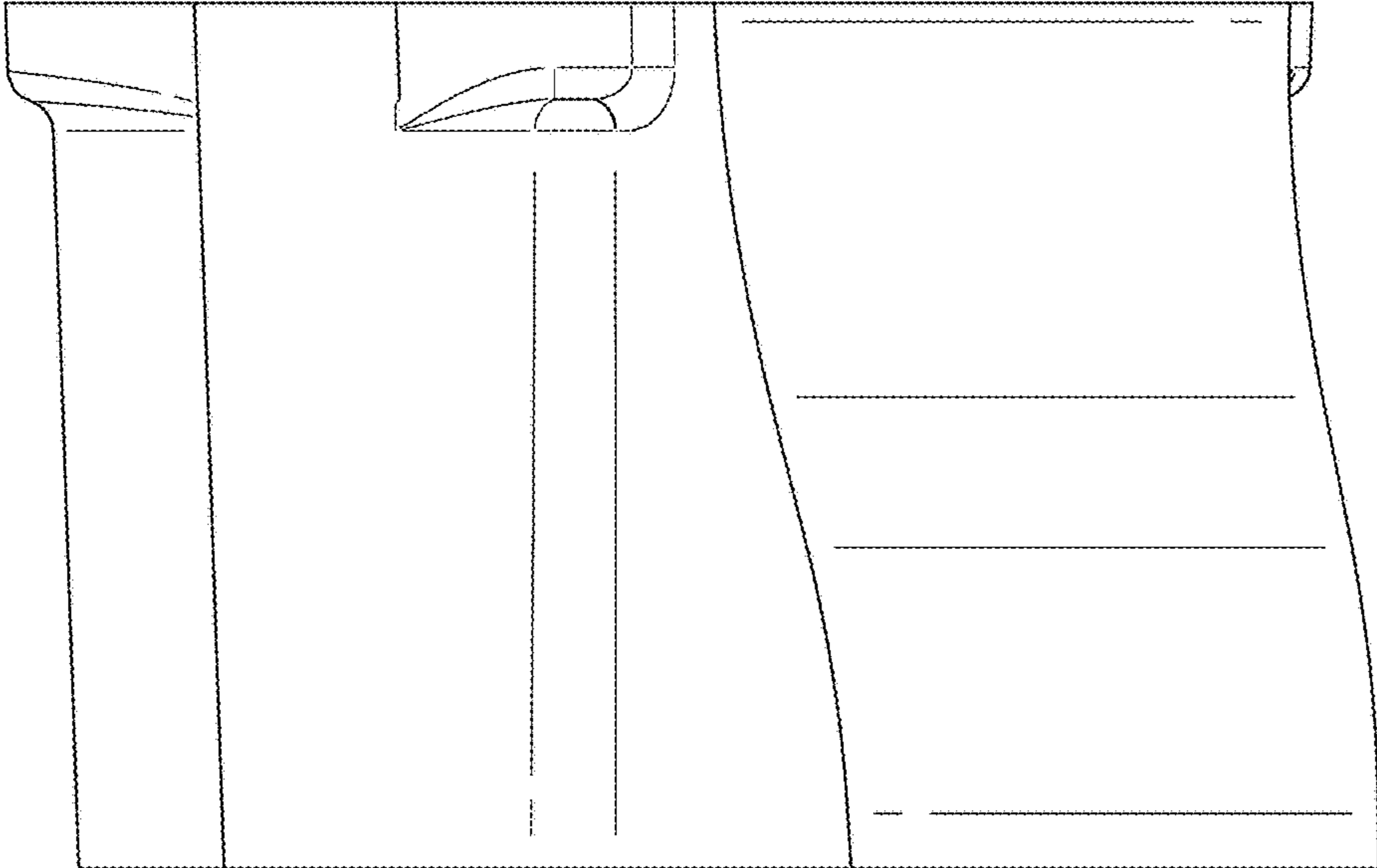


FIG. 13

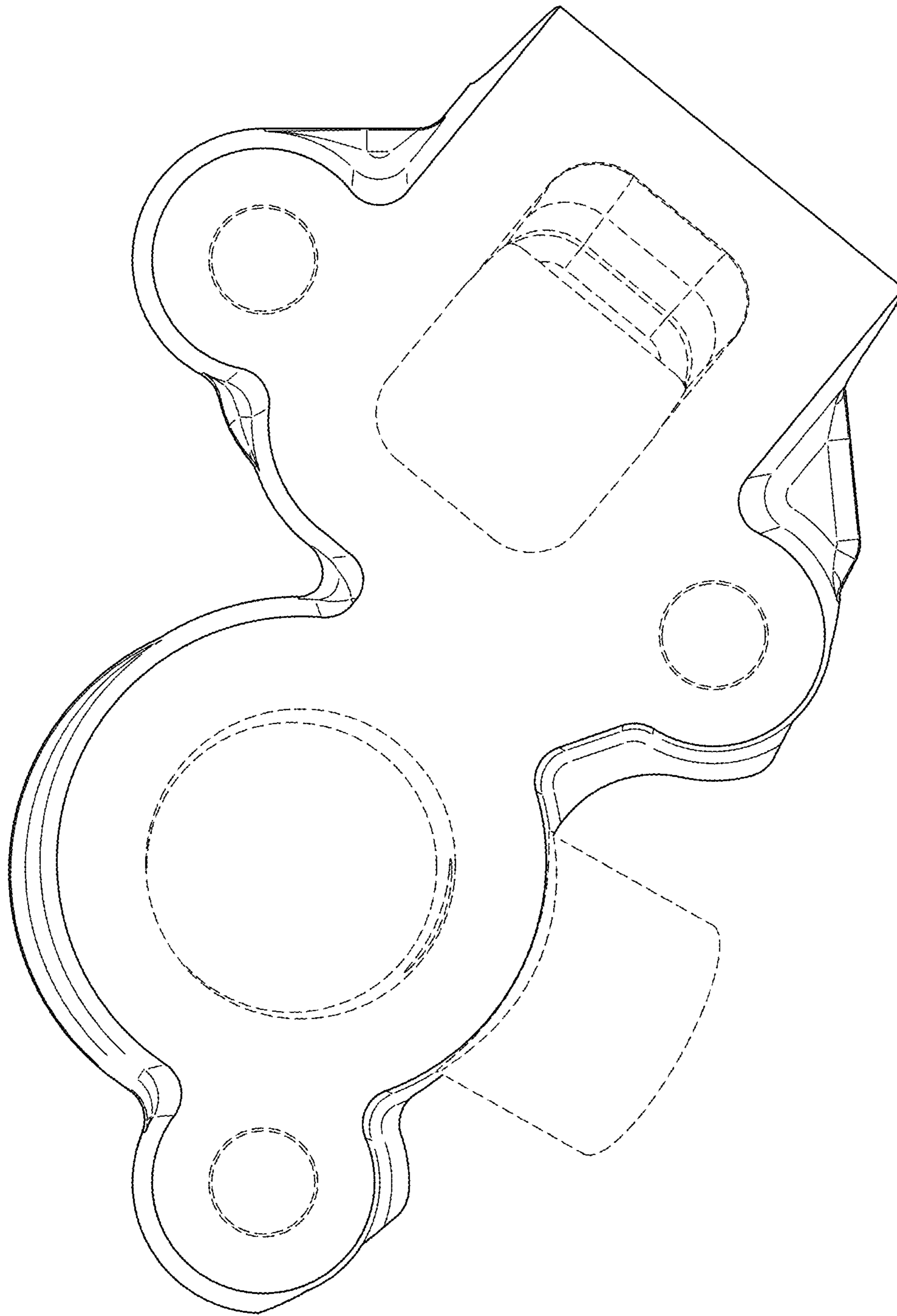


FIG. 14

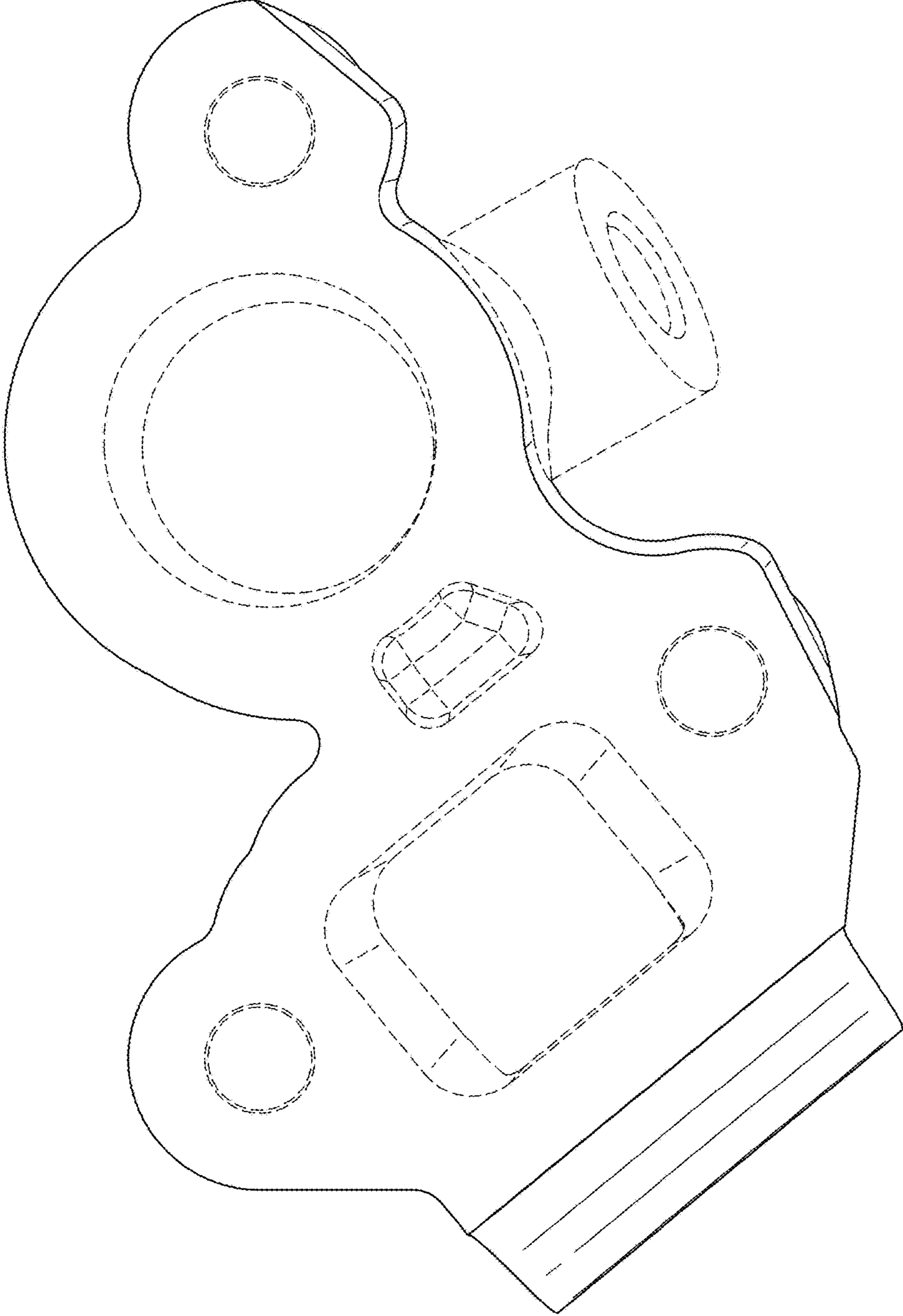


FIG. 15

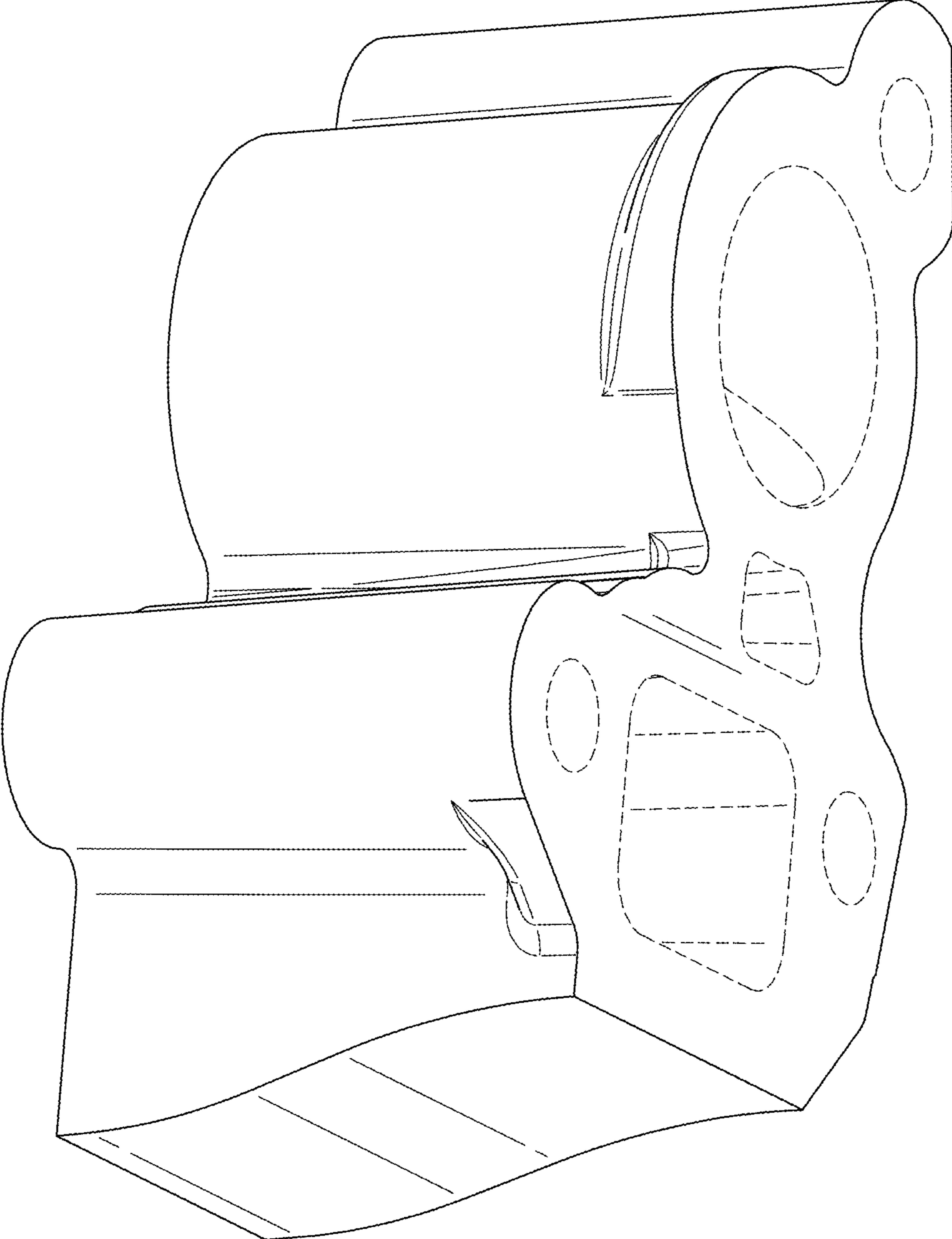


FIG. 16

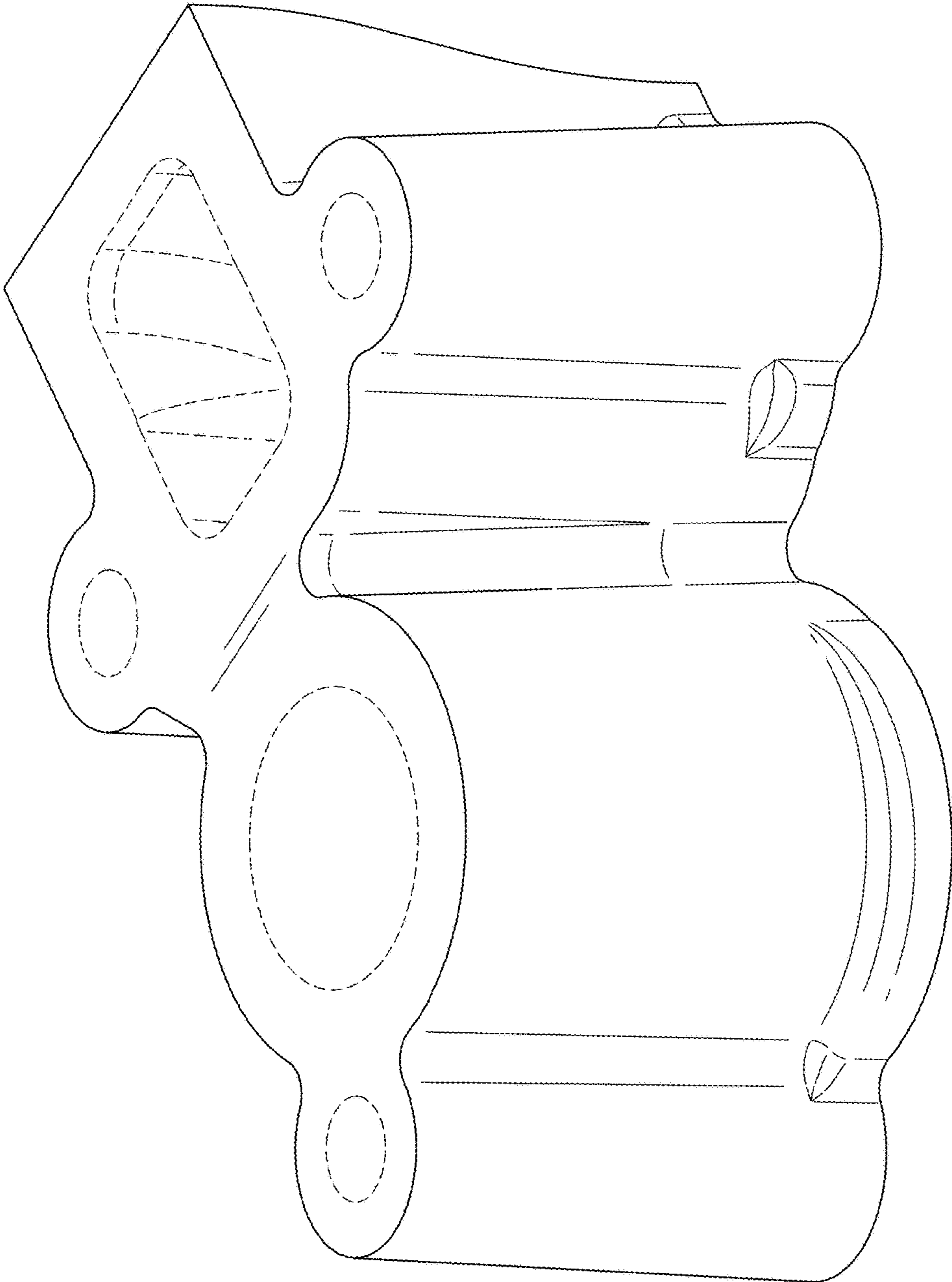


FIG. 17

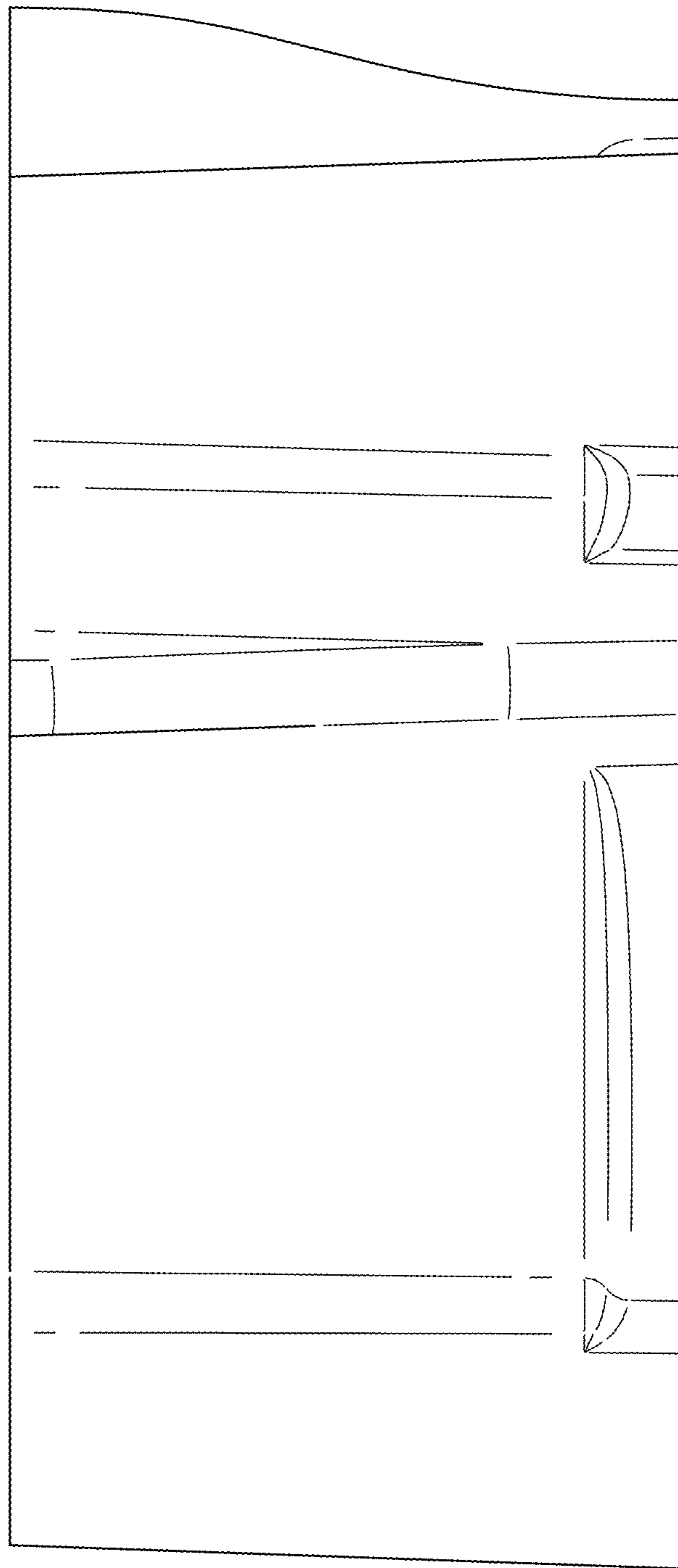


FIG. 18

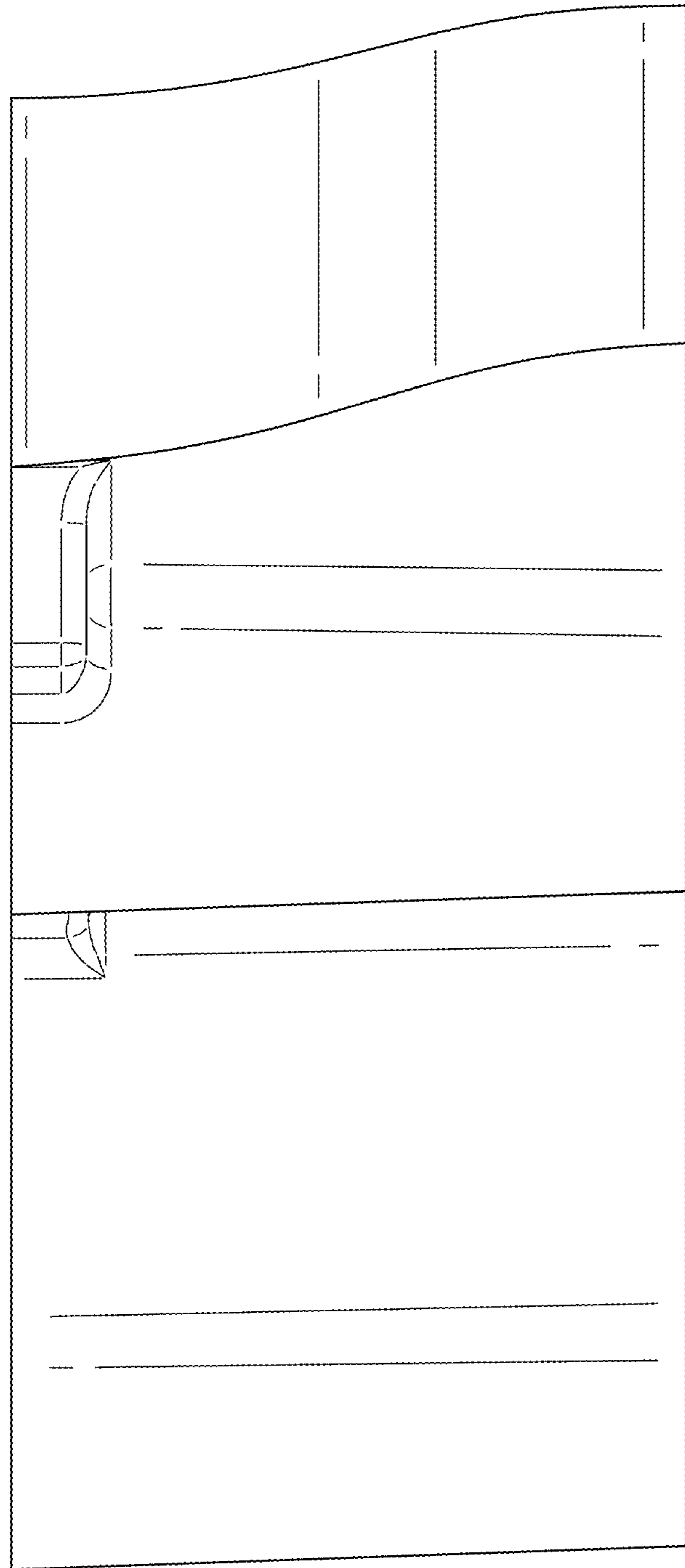


FIG. 19

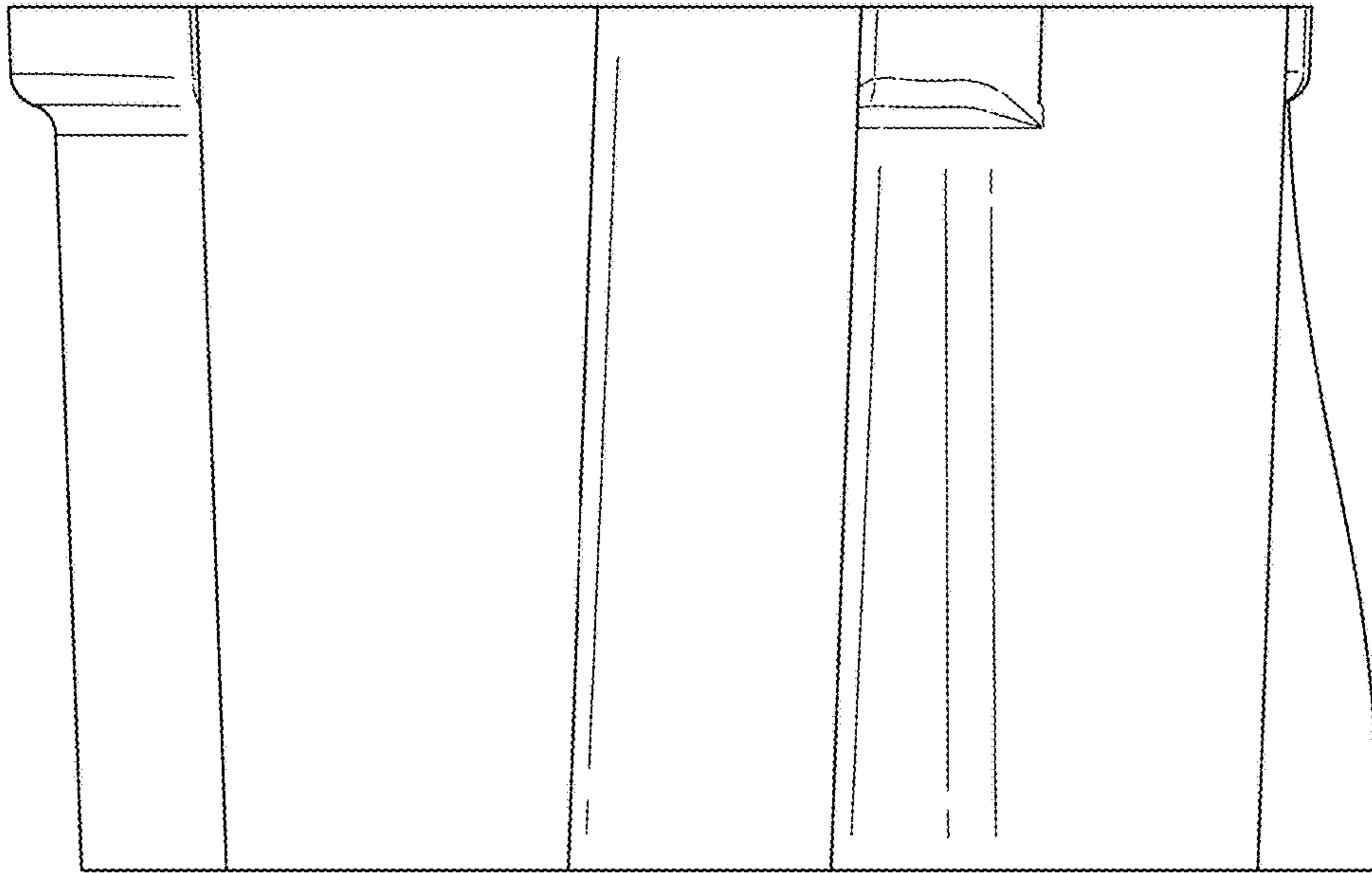


FIG. 20

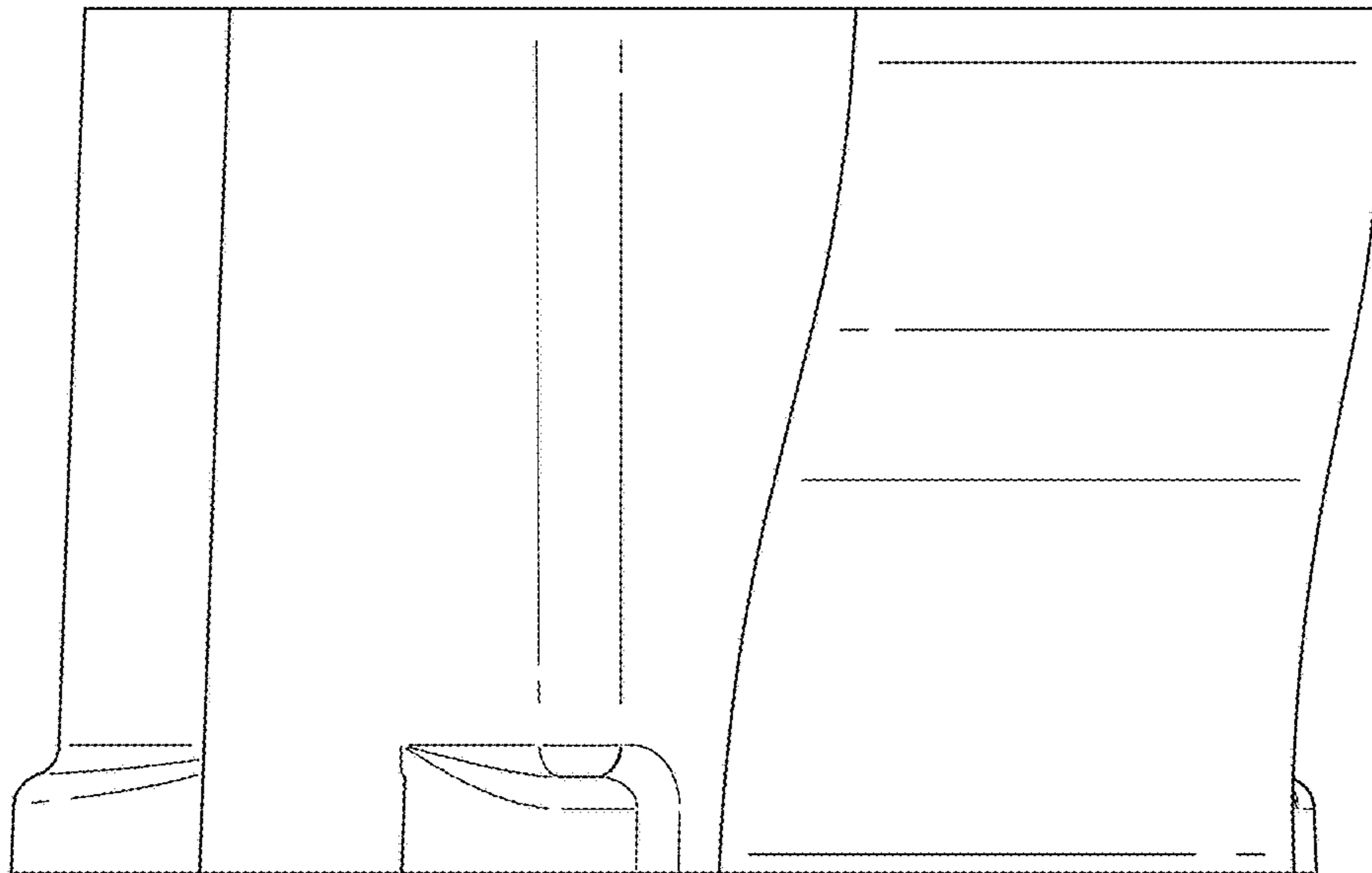


FIG. 21

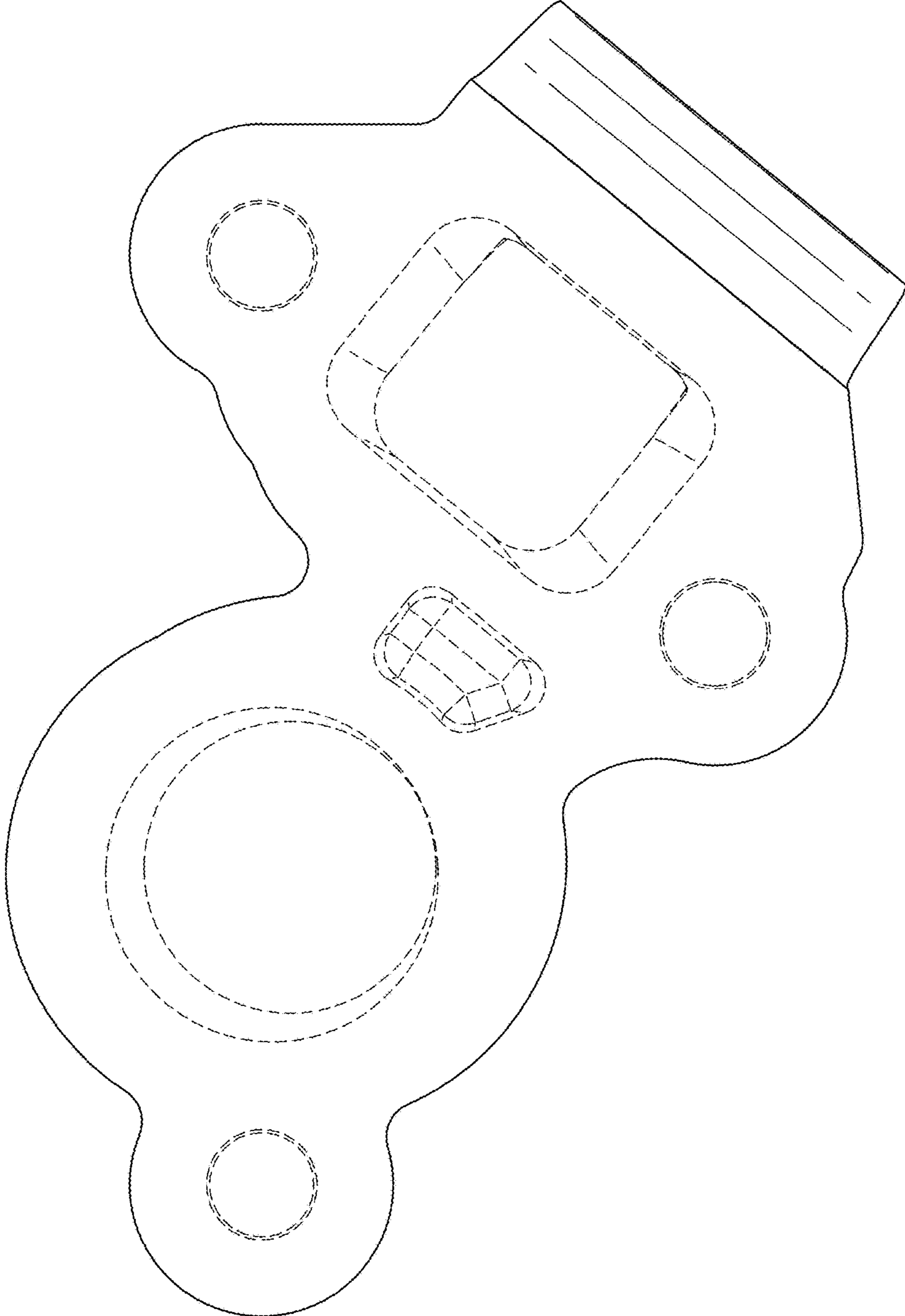


FIG. 22

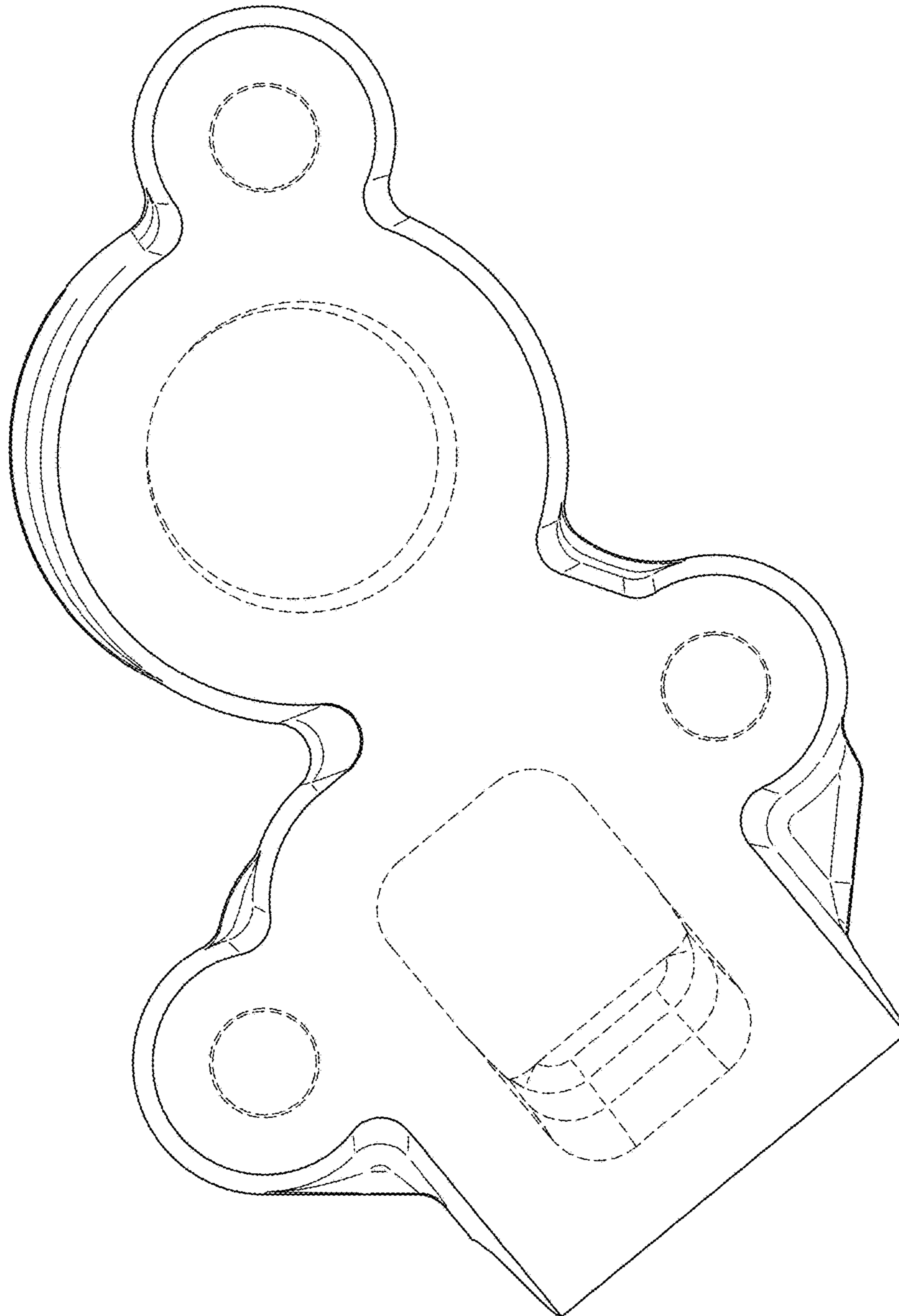


FIG. 23

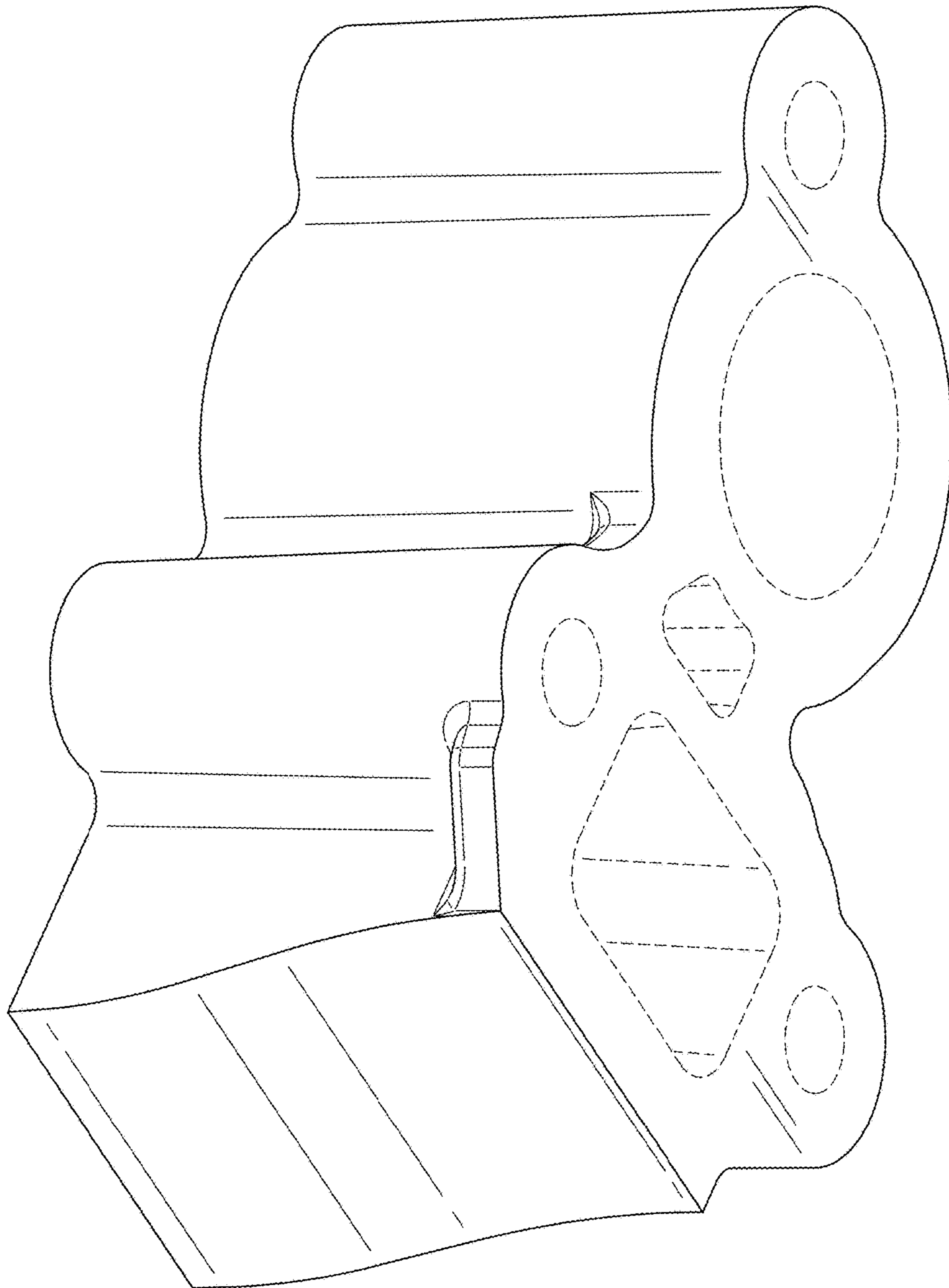


FIG. 24