



US00D808438S

(12) **United States Design Patent**
Wakabayashi et al.

(10) **Patent No.:** **US D808,438 S**
(45) **Date of Patent:** **** Jan. 23, 2018**

- (54) **INLINE FUEL PUMP**
- (71) Applicant: **NIKKI CO., LTD.**, Kanagawa-ken (JP)
- (72) Inventors: **Teruyuki Wakabayashi**, Kanagawa-ken (JP); **Yukinori Suematsu**, Kanagawa-ken (JP)
- (73) Assignee: **Nikki Co., Ltd.** (JP)
- (**) Term: **15 Years**
- (21) Appl. No.: **29/580,582**
- (22) Filed: **Oct. 11, 2016**
- (51) **LOC (11) Cl.** **15-02**
- (52) **U.S. Cl.**
USPC **D15/7**
- (58) **Field of Classification Search**
USPC D15/7-9; D23/231, 232, 225; 417/60, 417/235, 265, 321, 355, 358, 363, 359, 417/410.1, 415-416, 405, 900, 269, 539; 60/408, 412; 184/26-37; 415/140-147; 123/495, 509; 137/565.34
CPC F02M 37/04; F02M 37/14; F04B 53/92; F04B 1/005
See application file for complete search history.

D376,370 S *	12/1996	Davis	D15/7
D385,889 S *	11/1997	Kullas	D15/7
D403,329 S *	12/1998	Walker	D15/7
D445,804 S *	7/2001	Tsai	D15/7
D471,563 S *	3/2003	Selic	D15/7
D486,501 S *	2/2004	Hawkins	D15/7
D498,241 S *	11/2004	Song	D15/7
D498,242 S *	11/2004	Song	D15/7
D506,210 S *	6/2005	Selic	D15/7
D680,134 S *	4/2013	Fordyce	D15/7
D757,825 S *	5/2016	Chevallier	D15/7

* cited by examiner

Primary Examiner — Ralf Seifert

(74) *Attorney, Agent, or Firm* — Fishman Stewart PLLC

(57) **CLAIM**

The ornamental design for an inline fuel pump, as shown and described.

DESCRIPTION

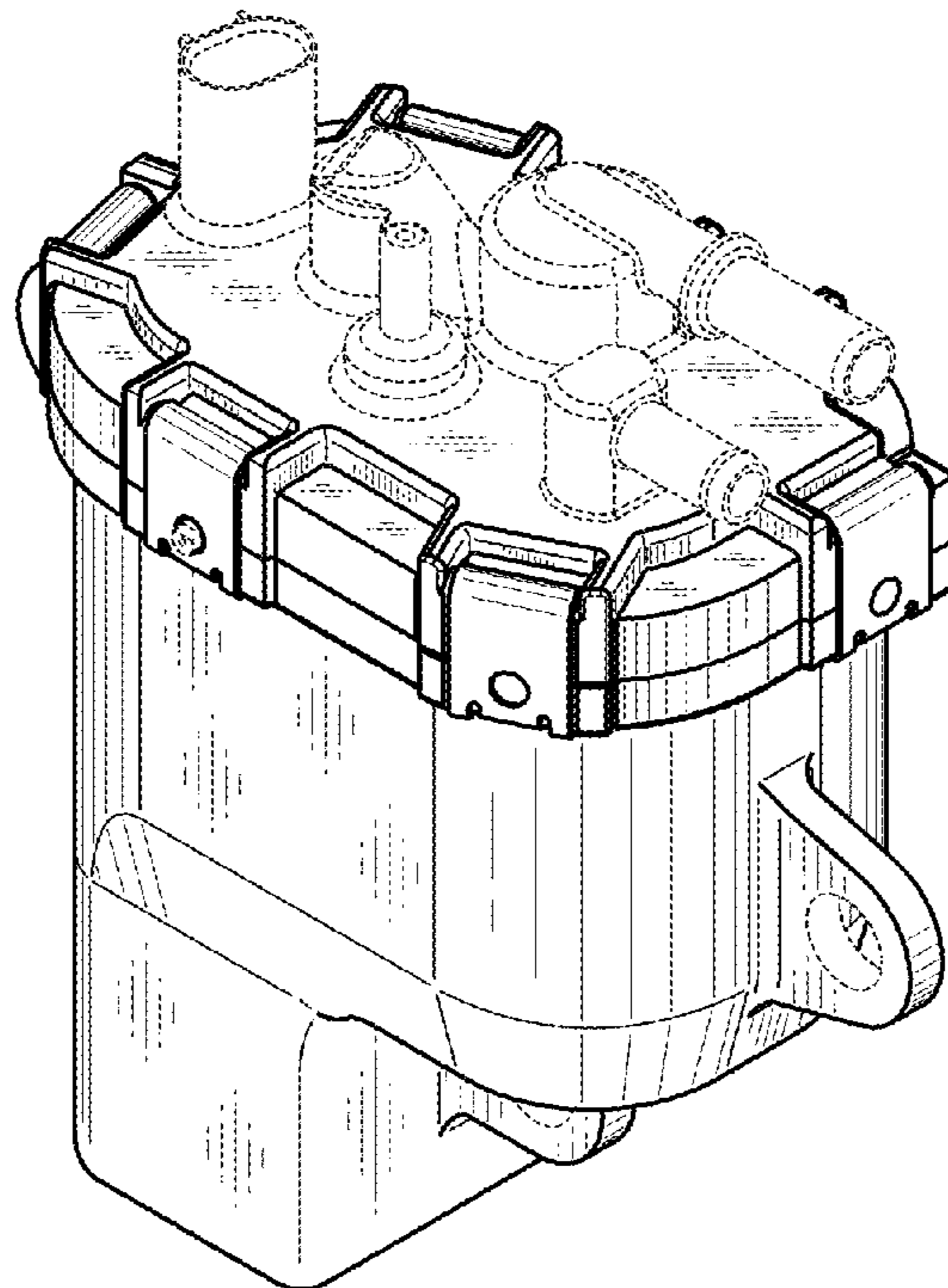
FIG. 1 is a rear perspective view of a fuel pump;
 FIG. 2 is a front perspective view of a fuel pump;
 FIG. 3 is a front view of a fuel pump;
 FIG. 4 is a rear view of a fuel pump;
 FIG. 5 is a left side view of a fuel pump;
 FIG. 6 is a right side view of a fuel pump;
 FIG. 7 is a top view of a fuel pump; and,
 FIG. 8 is a rear view of a fuel pump.
 Portions of the figures shown in dashed lines are for illustrative purposes only and form no part of the claimed design.

(56) **References Cited**

U.S. PATENT DOCUMENTS

D237,312 S *	10/1975	Lombard	D15/7
D304,283 S *	10/1989	Credle, Jr.	D15/7

1 Claim, 5 Drawing Sheets



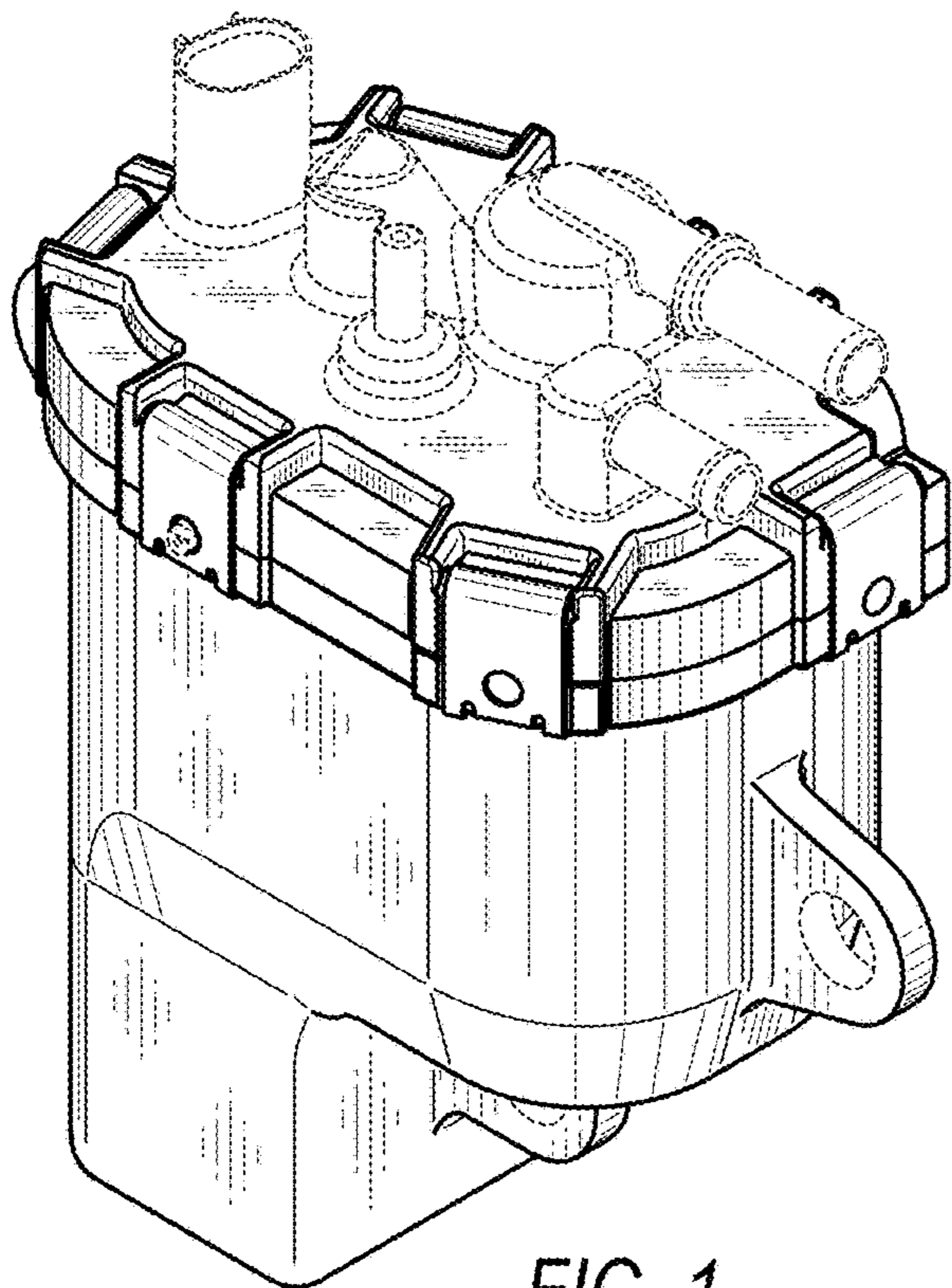


FIG. 1

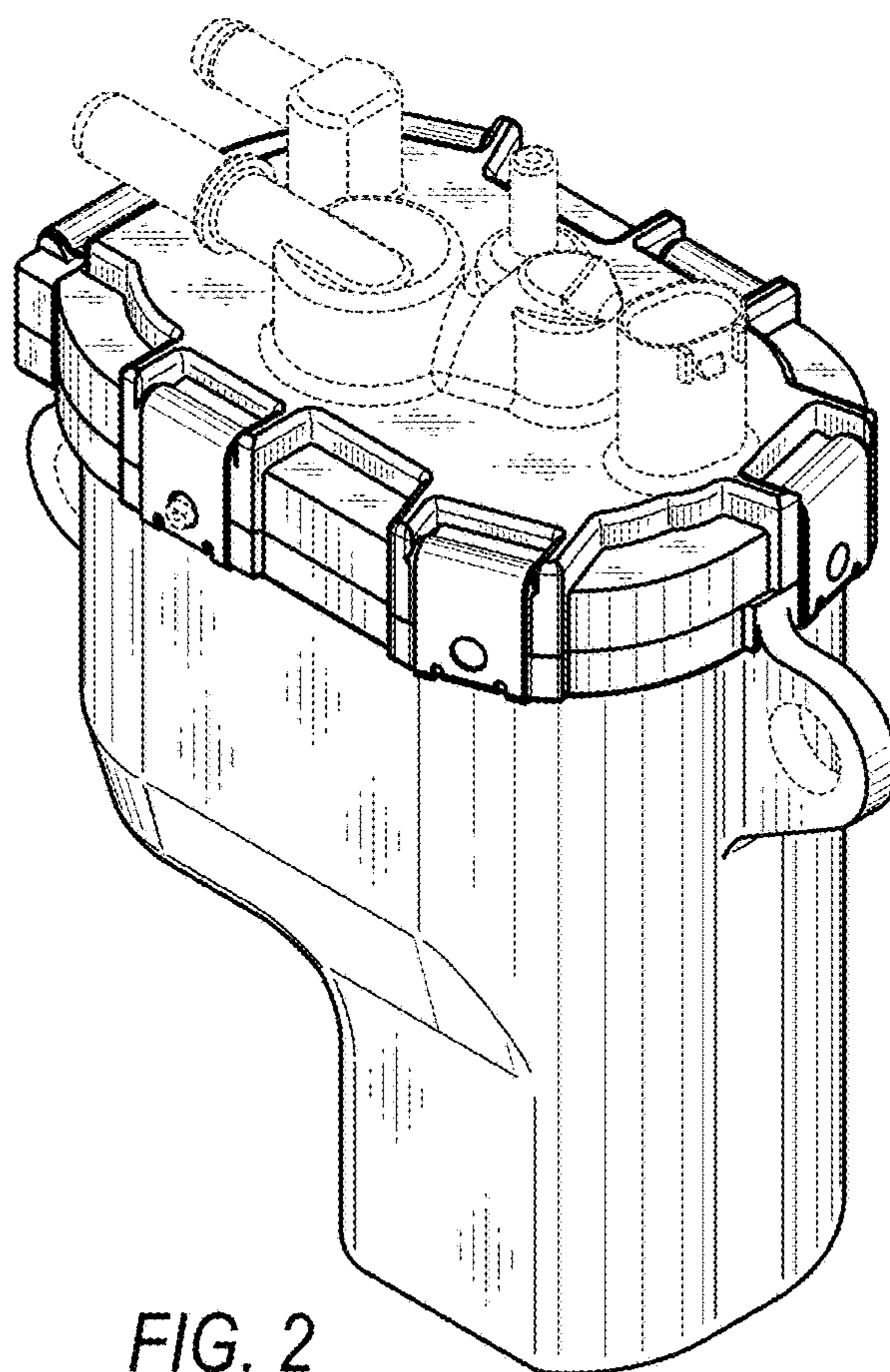


FIG. 2

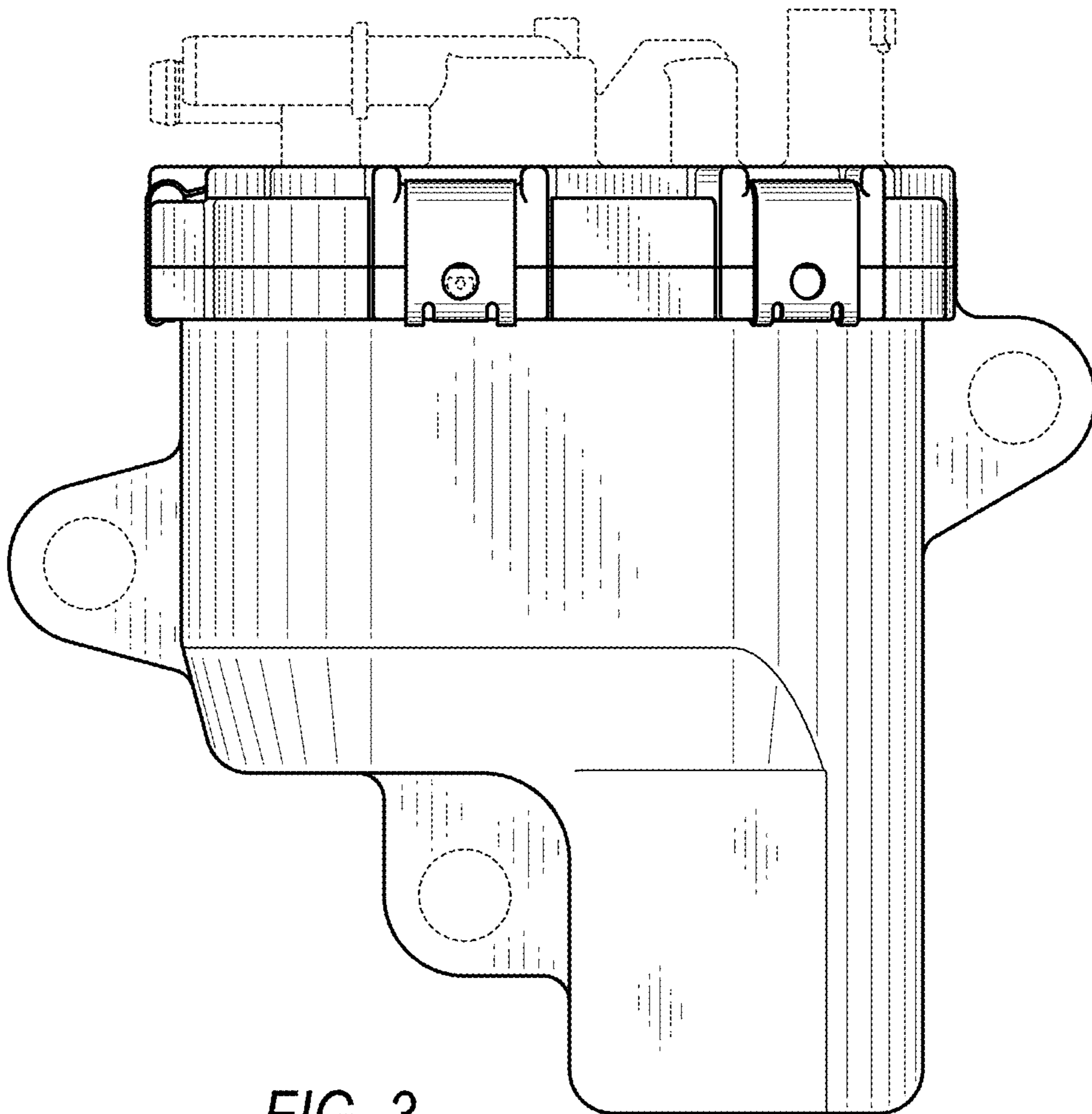


FIG. 3

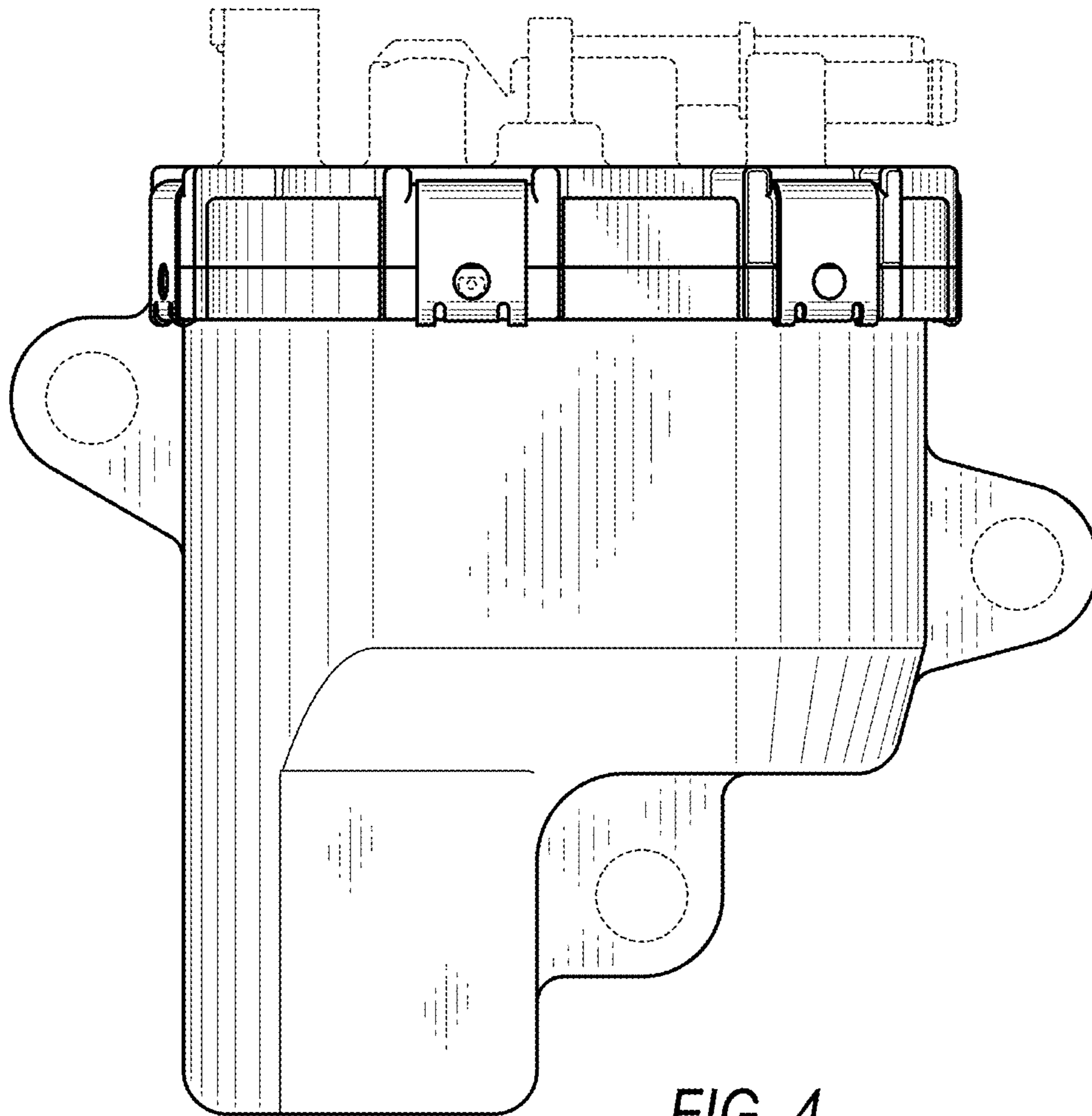


FIG. 4

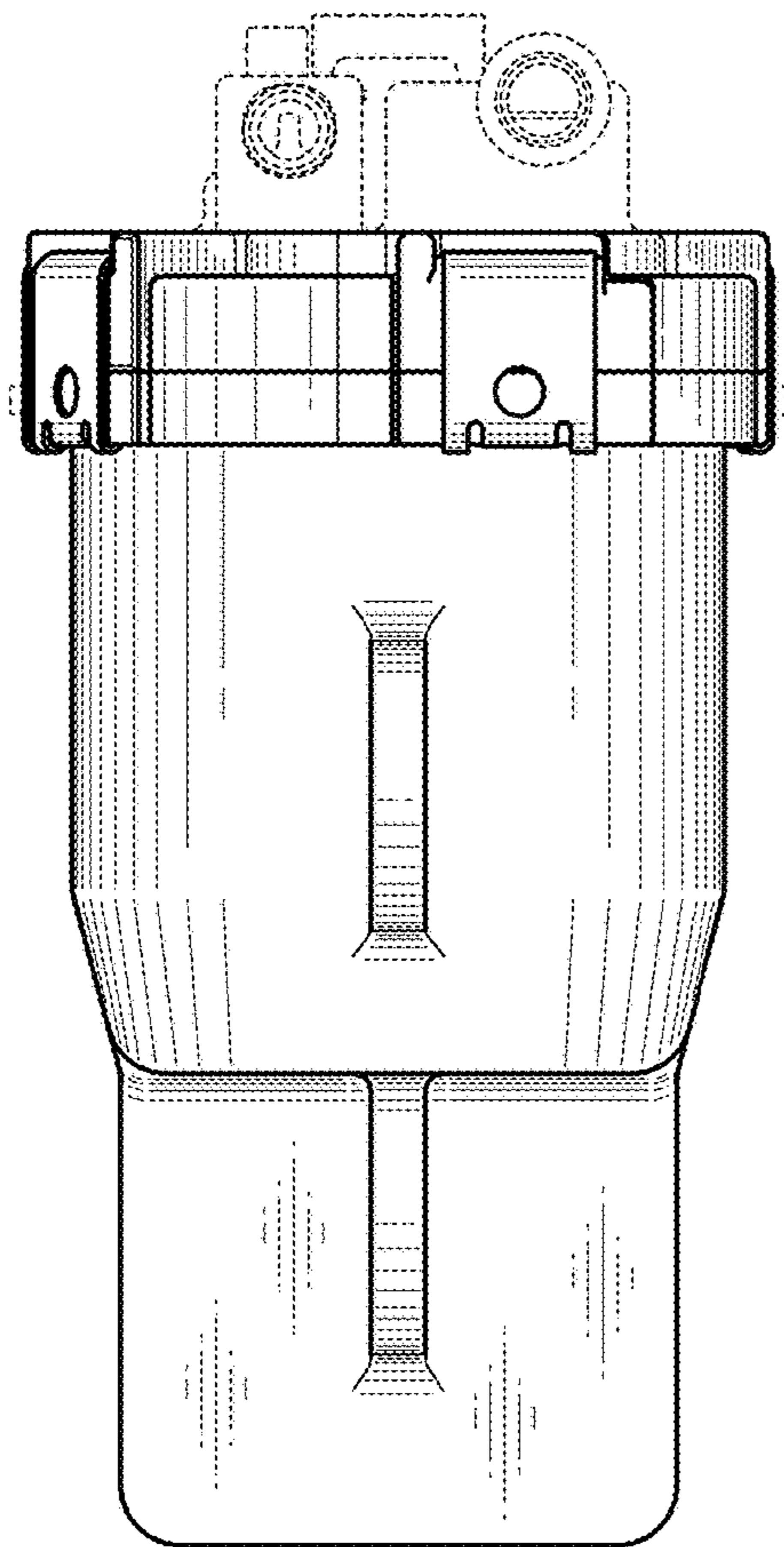


FIG. 5

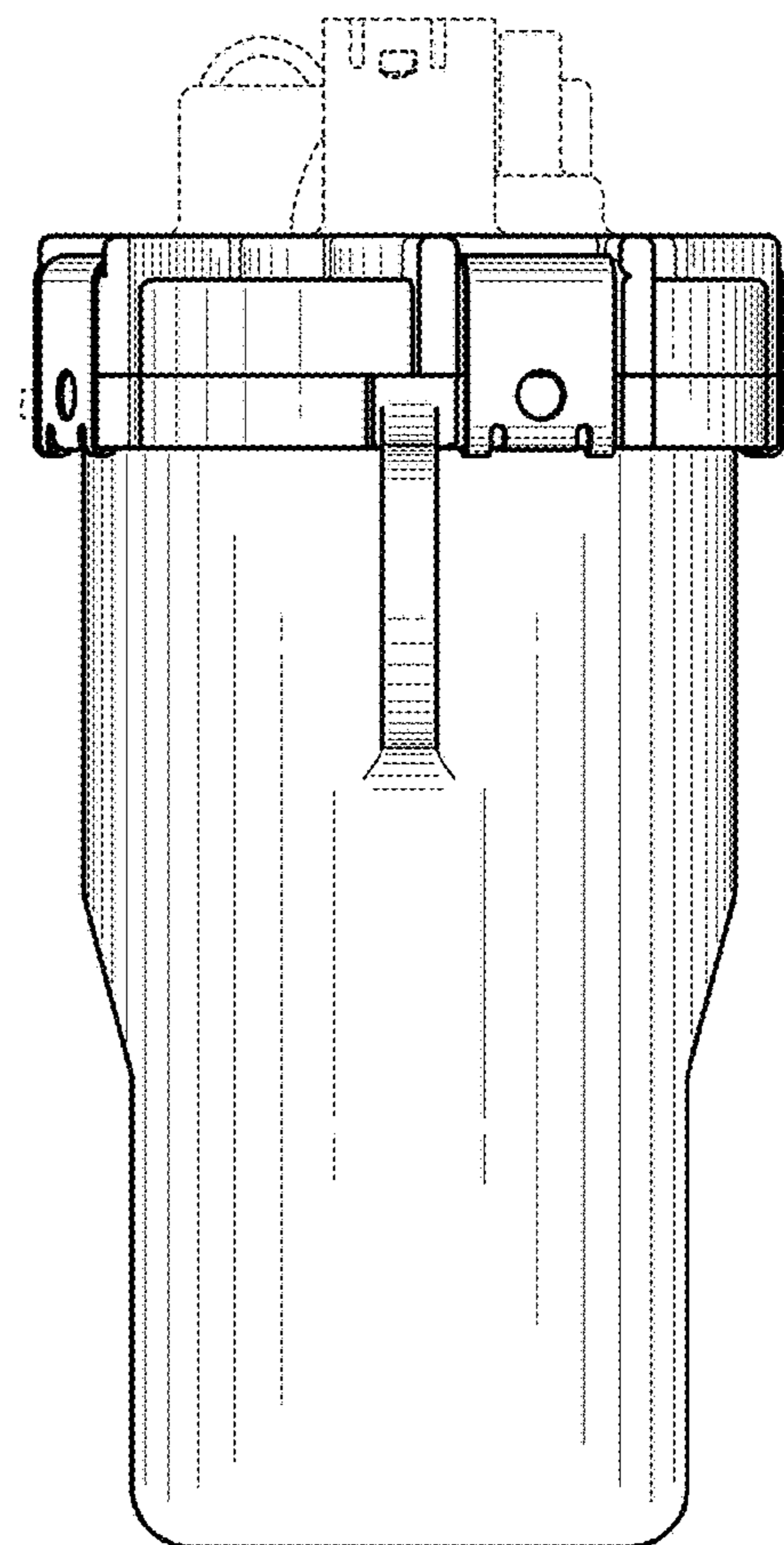


FIG. 6

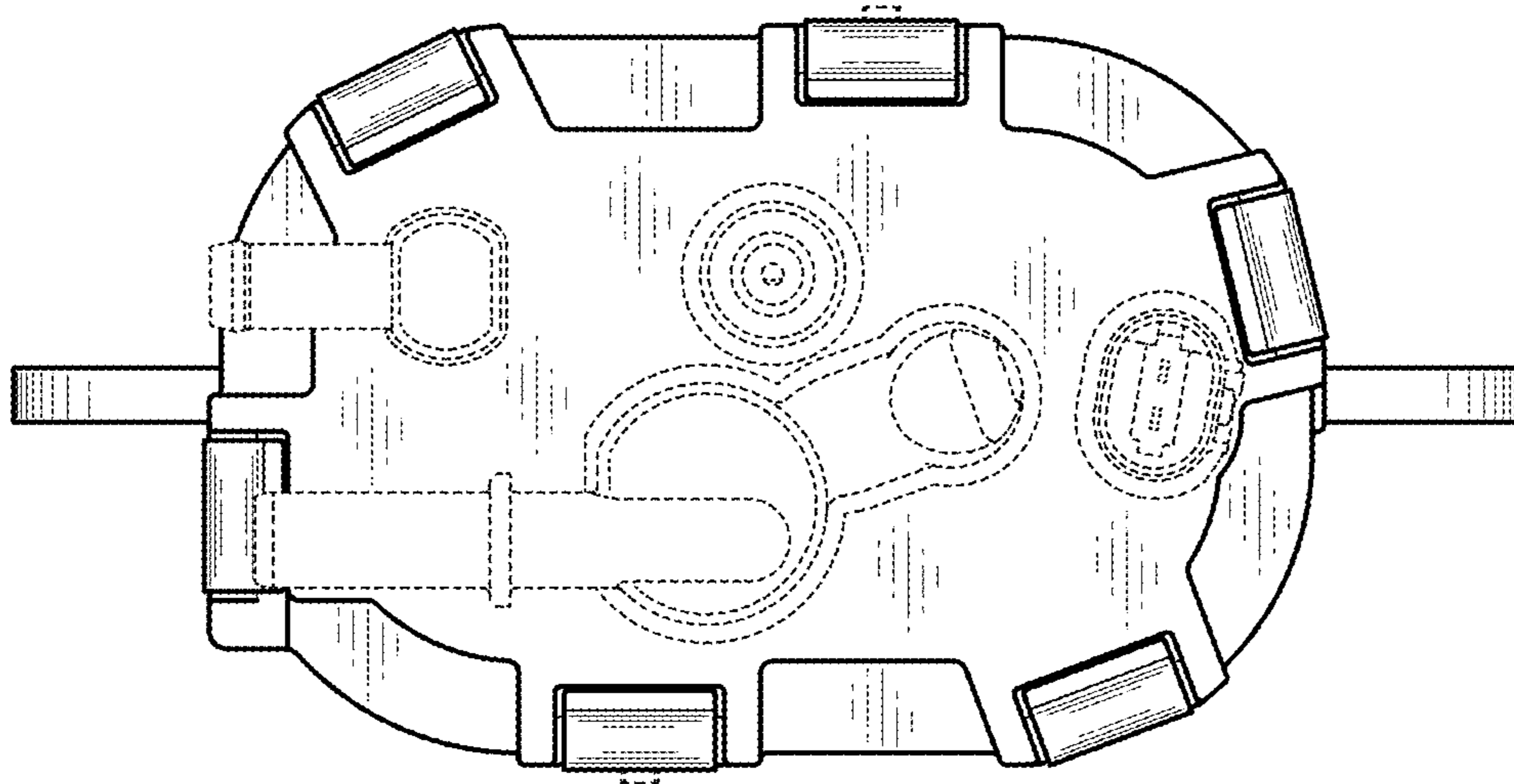


FIG. 7

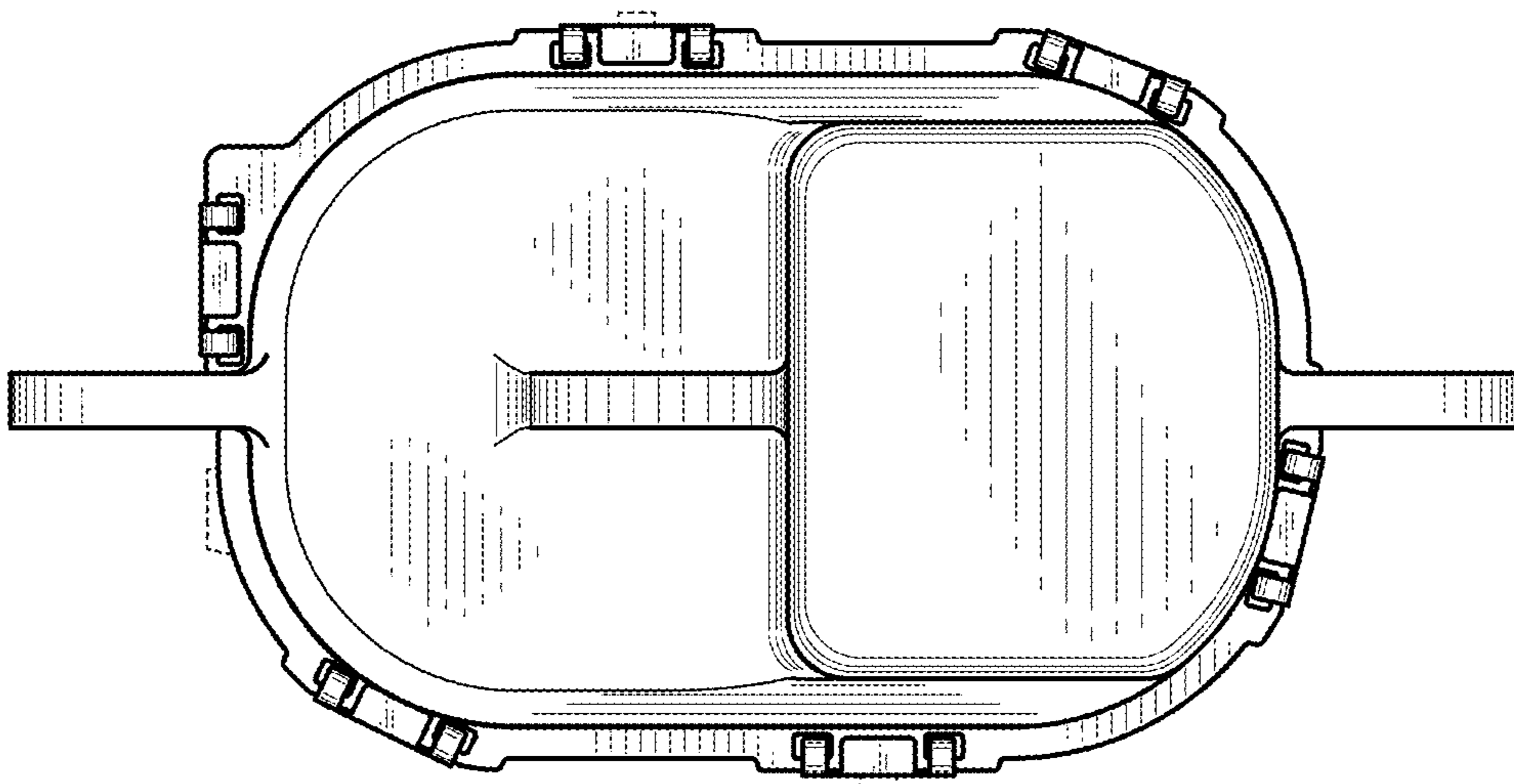


FIG. 8