



US00D808437S

(12) **United States Design Patent**
Hubbard-Cummins et al.

(10) **Patent No.:** **US D808,437 S**

(45) **Date of Patent:** **** Jan. 23, 2018**

(54) **AIR COMPRESSOR**

(71) Applicant: **Beautymarked, LLC**, Indianapolis, IN (US)

(72) Inventors: **Kiralee Hubbard-Cummins**, Indianapolis, IN (US); **Joshua Cummins**, Indianapolis, IN (US)

(73) Assignee: **Beautymarked, LLC**, Indianapolis, IN (US)

(**) Term: **15 Years**

(21) Appl. No.: **29/580,328**

(22) Filed: **Oct. 7, 2016**

(51) **LOC (11) Cl.** **15-02**

(52) **U.S. Cl.**
USPC **D15/7**

(58) **Field of Classification Search**
USPC D15/7-9; D23/231, 232, 225; 417/60, 417/235, 265, 321, 355, 358, 363, 359, 417/410.1, 415-416, 405, 900, 269, 539; 60/408, 412; 184/26-37; 415/140-147; 123/495, 509; 137/565.34
CPC F02M 37/04; F02M 37/14; F04B 53/92; F04B 1/005
See application file for complete search history.

(56) **References Cited**

U.S. PATENT DOCUMENTS

D479,248 S * 9/2003 Gist D15/9
D498,768 S * 11/2004 Romandy D15/9

D536,707 S * 2/2007 Bass D15/9
D662,950 S * 7/2012 Lu D15/9
D687,074 S * 7/2013 Barack D15/7
D769,944 S * 10/2016 Sheedy D15/9
D792,473 S * 7/2017 Imsand D15/7

* cited by examiner

Primary Examiner — Ralf T Seifert

(74) *Attorney, Agent, or Firm* — Woodard, Emhardt, Moriarty, McNett & Henry LLP

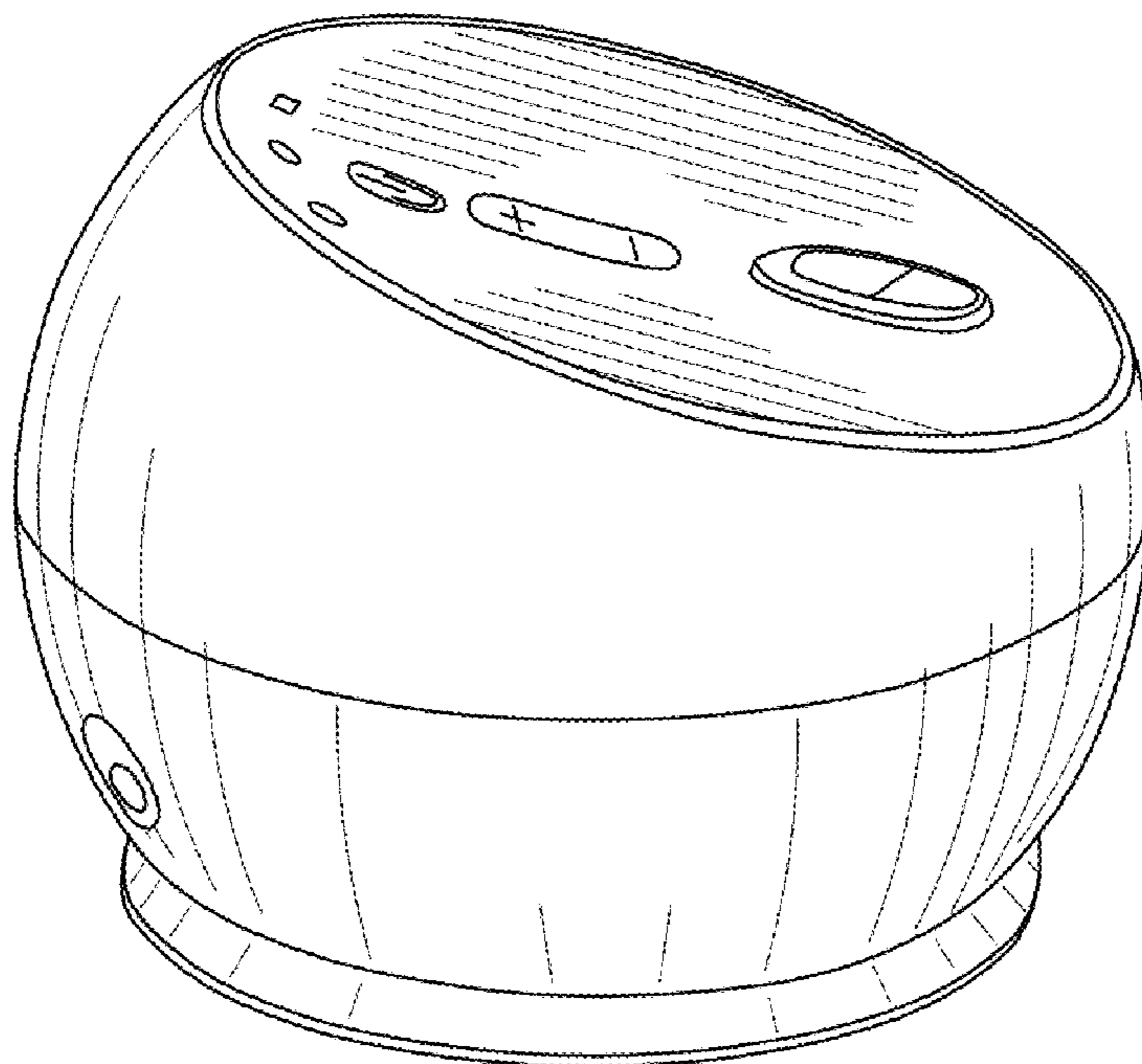
(57) **CLAIM**

The ornamental design for an air compressor, as shown and described.

DESCRIPTION

FIG. 1 is a perspective view of the air compressor showing our new design;
FIG. 2 is a front view thereof;
FIG. 3 is a back view thereof;
FIG. 4 is a right side view thereof;
FIG. 5 is a left side view thereof;
FIG. 6 is a top view thereof; and,
FIG. 7 is a bottom view thereof.
The portion outlined by the dashed line does not form a part of our new design.

1 Claim, 2 Drawing Sheets



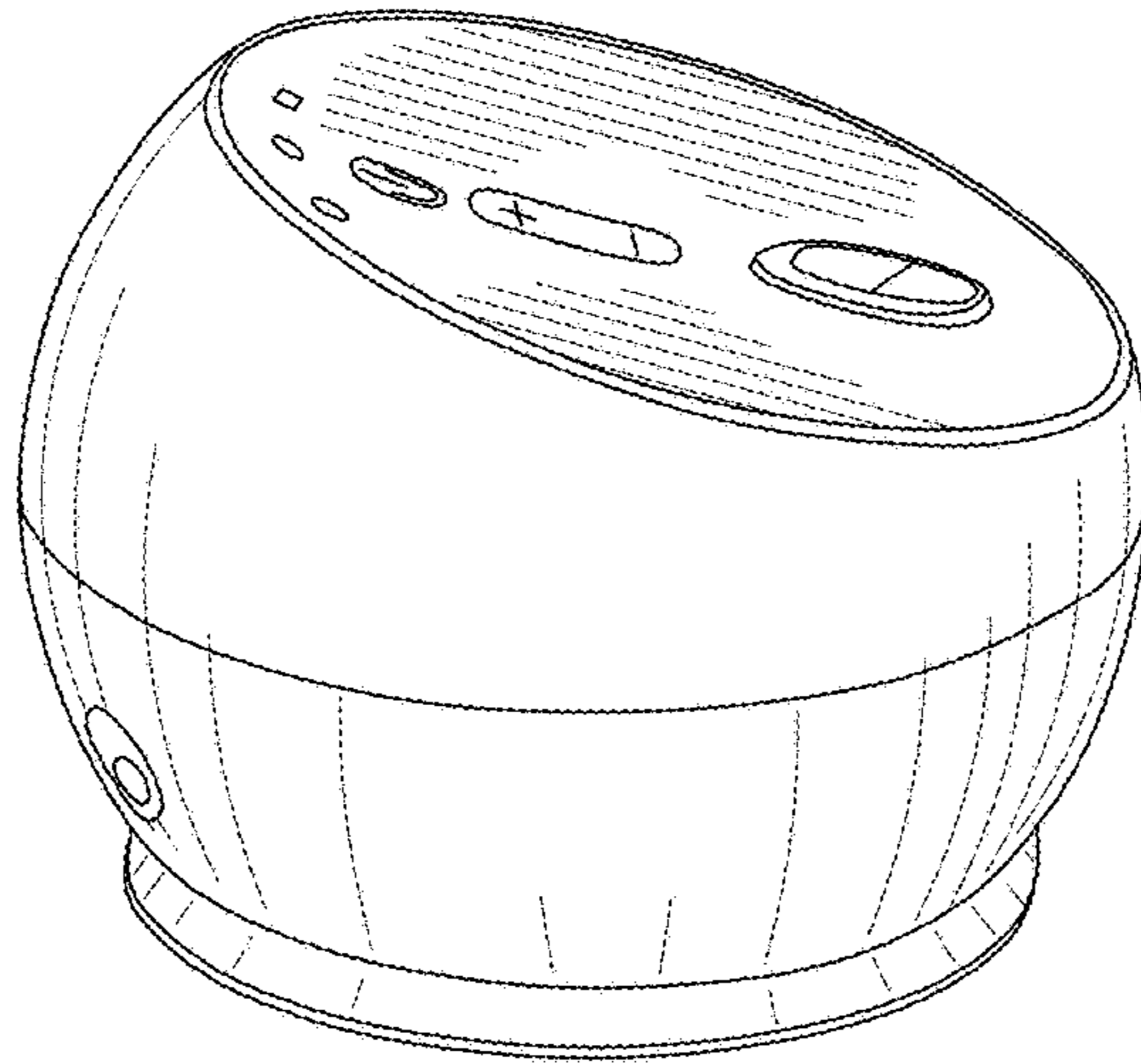


Fig. 1

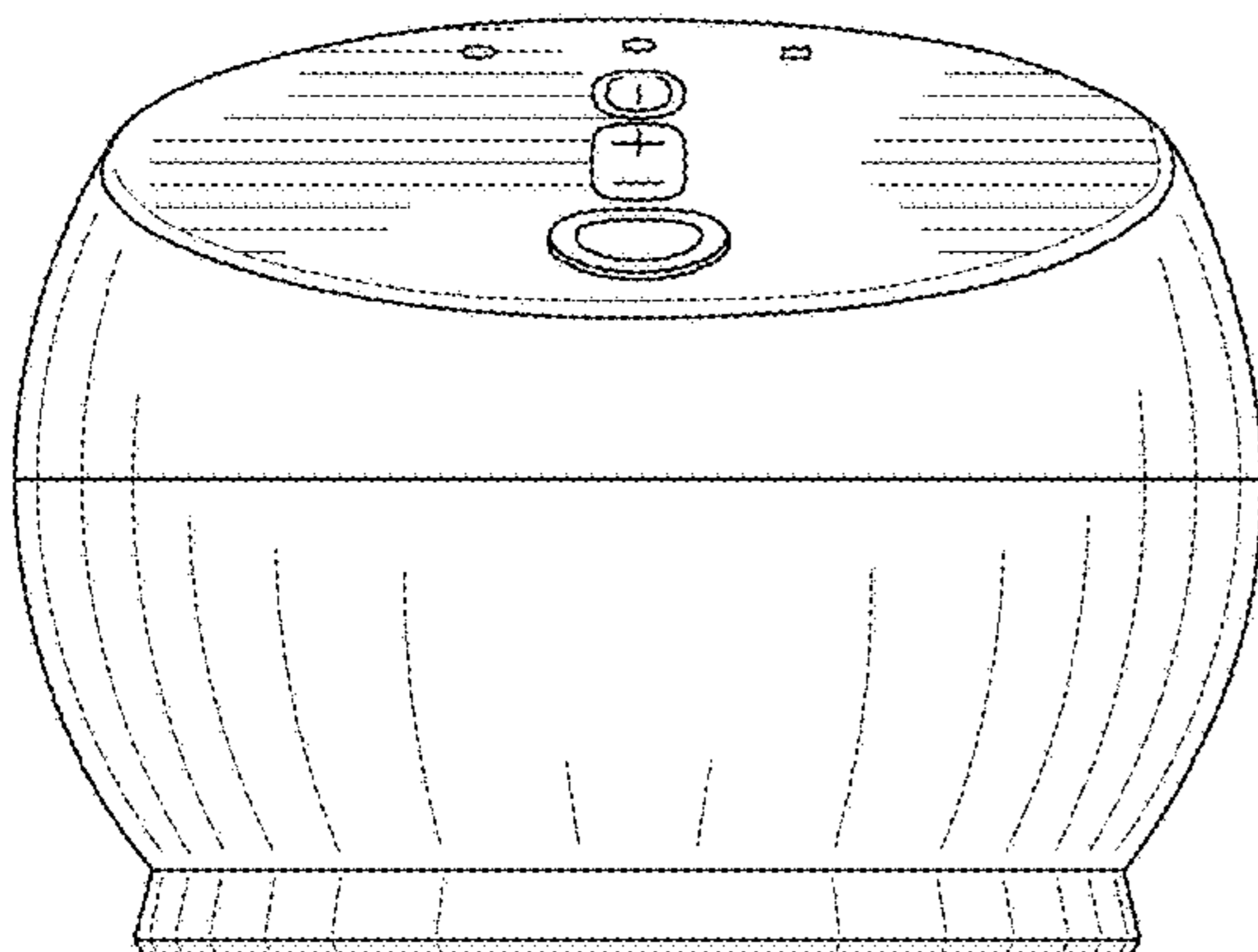


Fig. 2

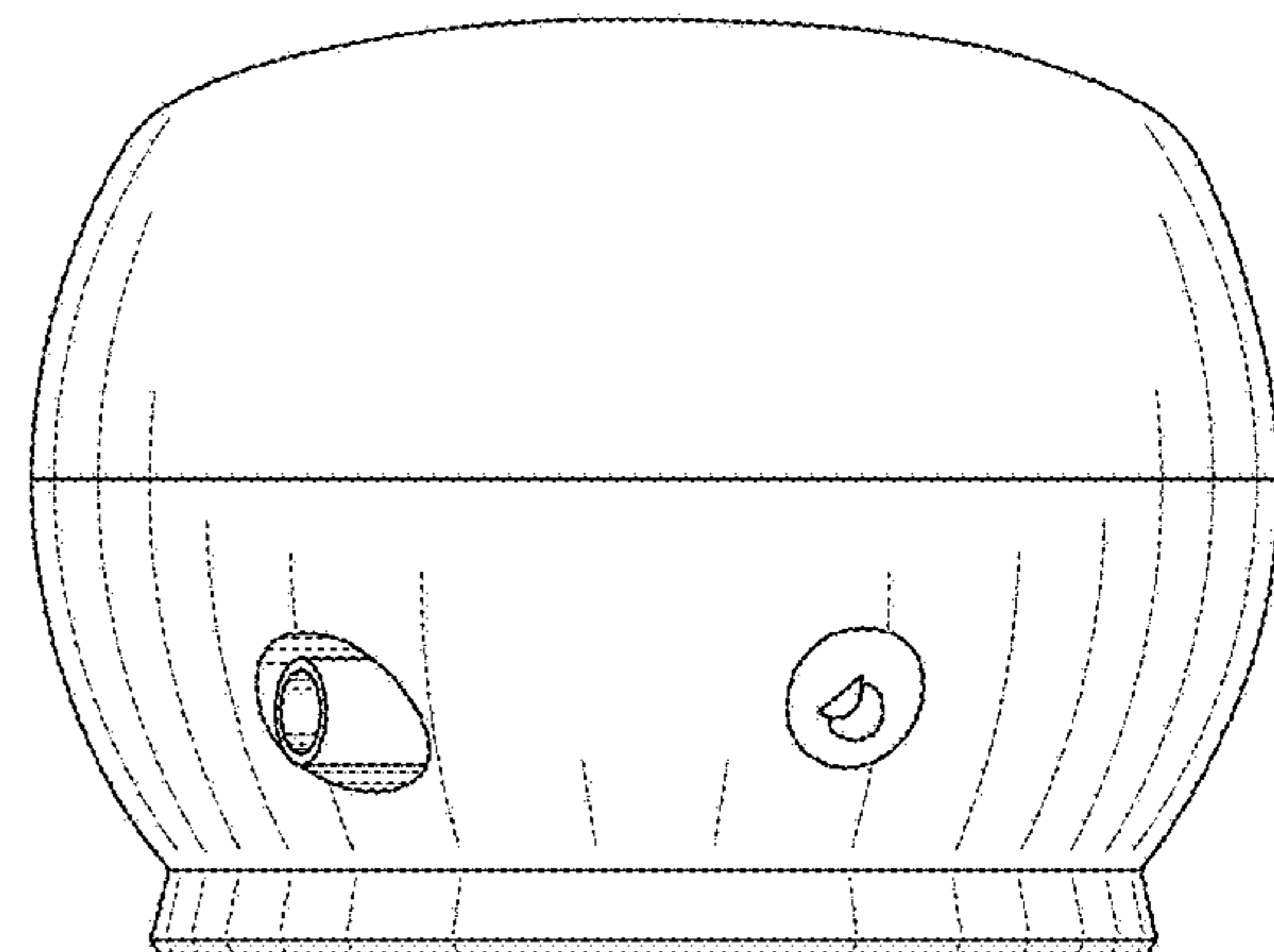


Fig. 3

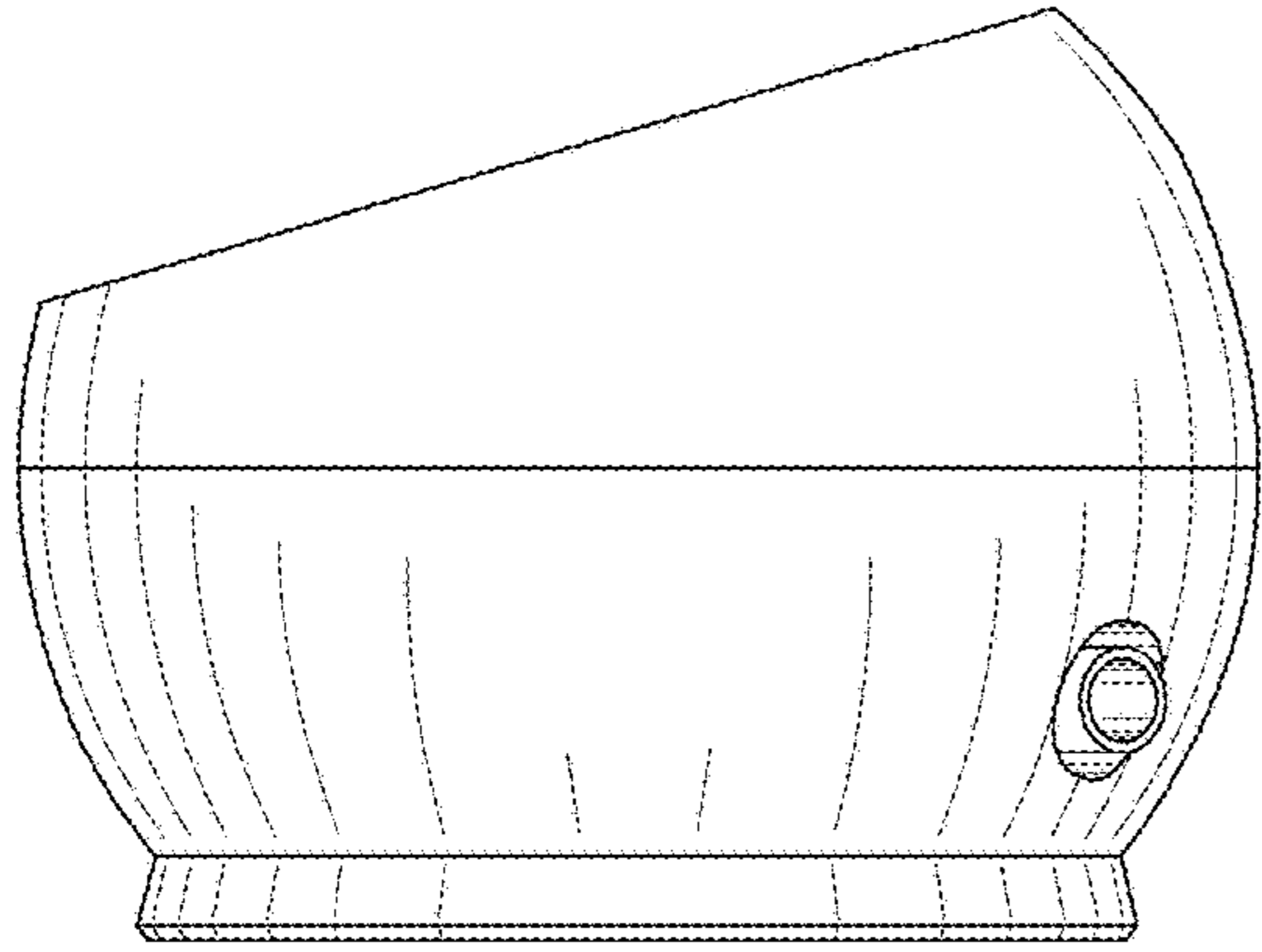


Fig. 4

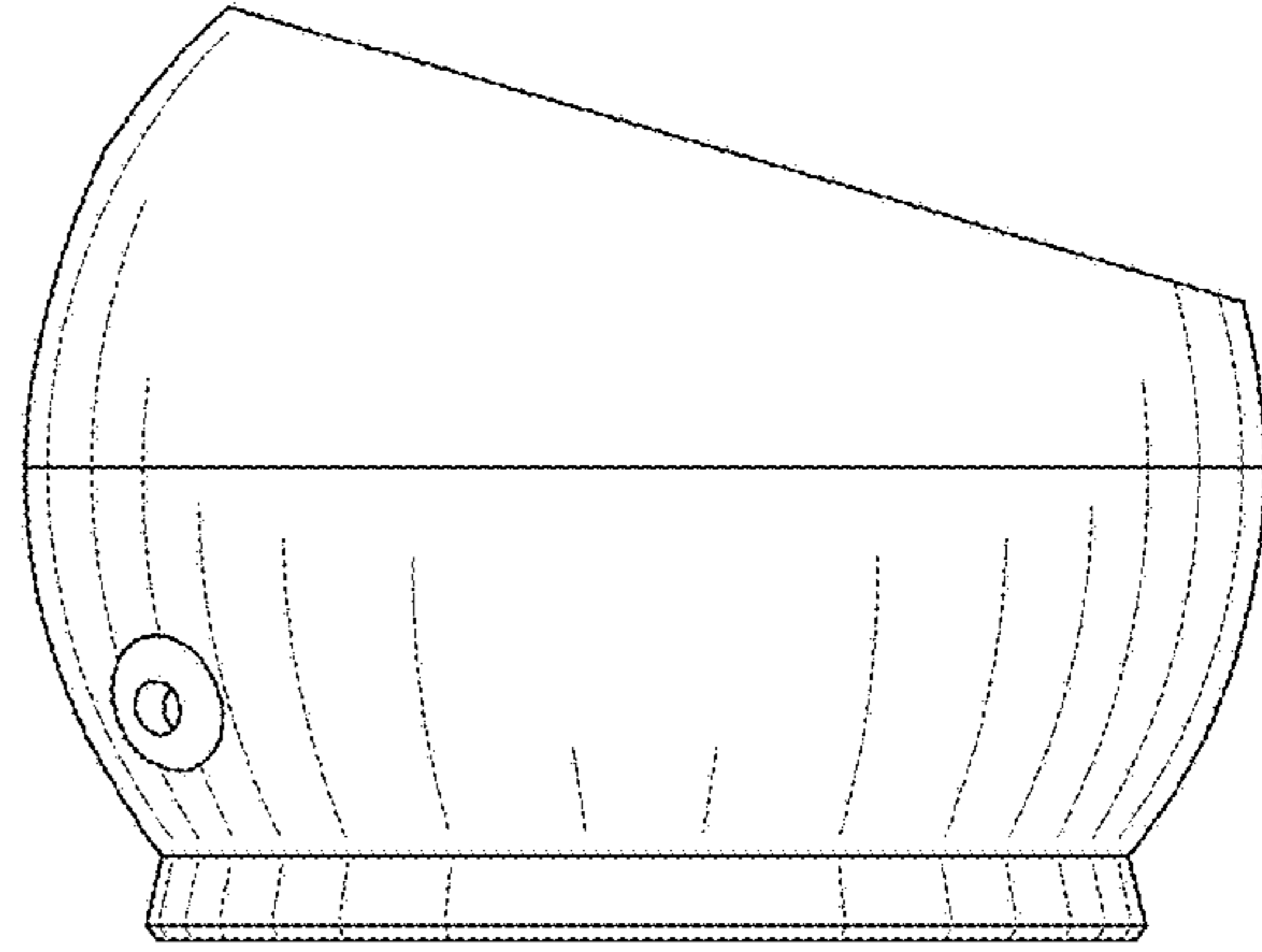


Fig. 5

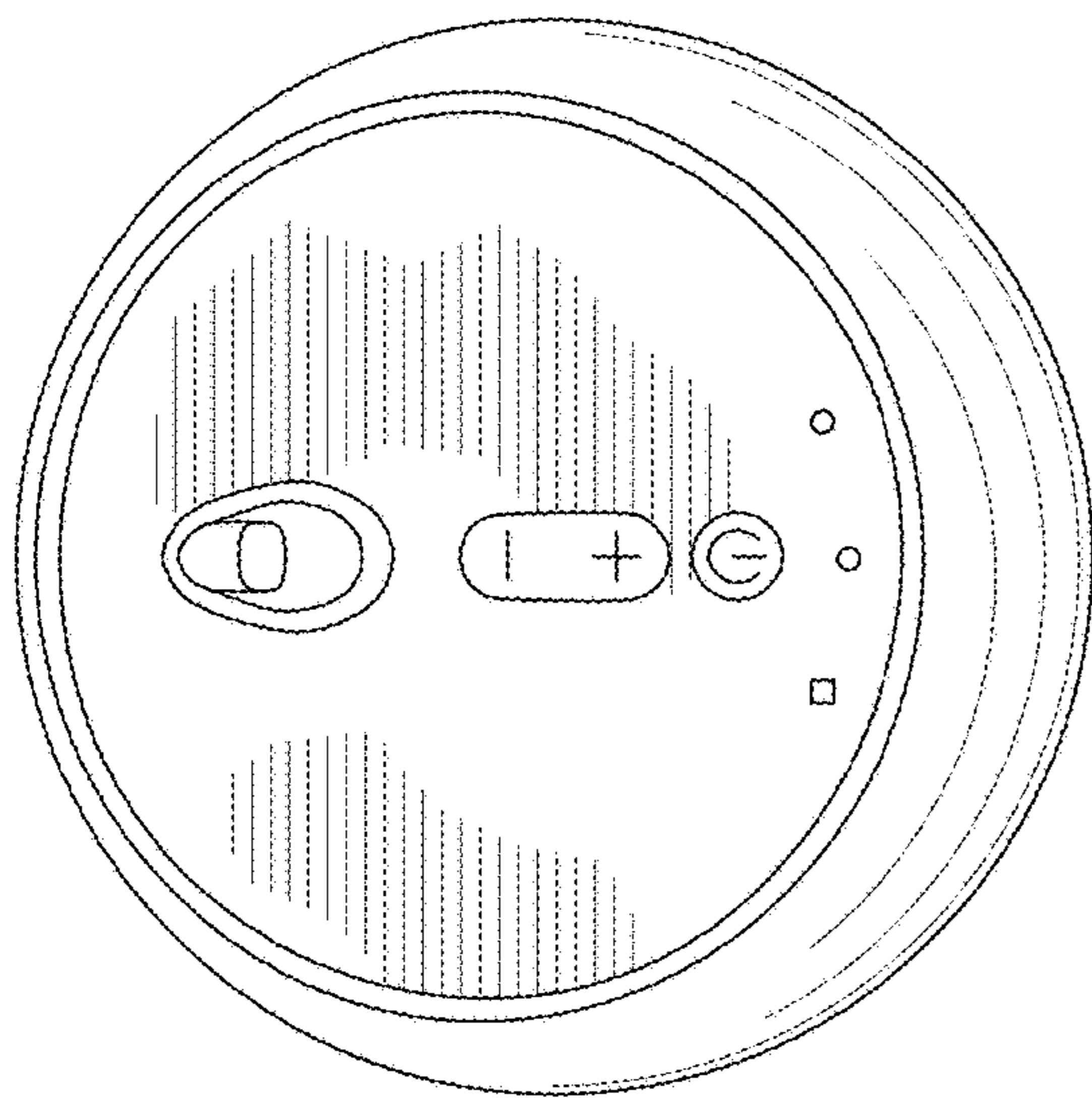


Fig. 6

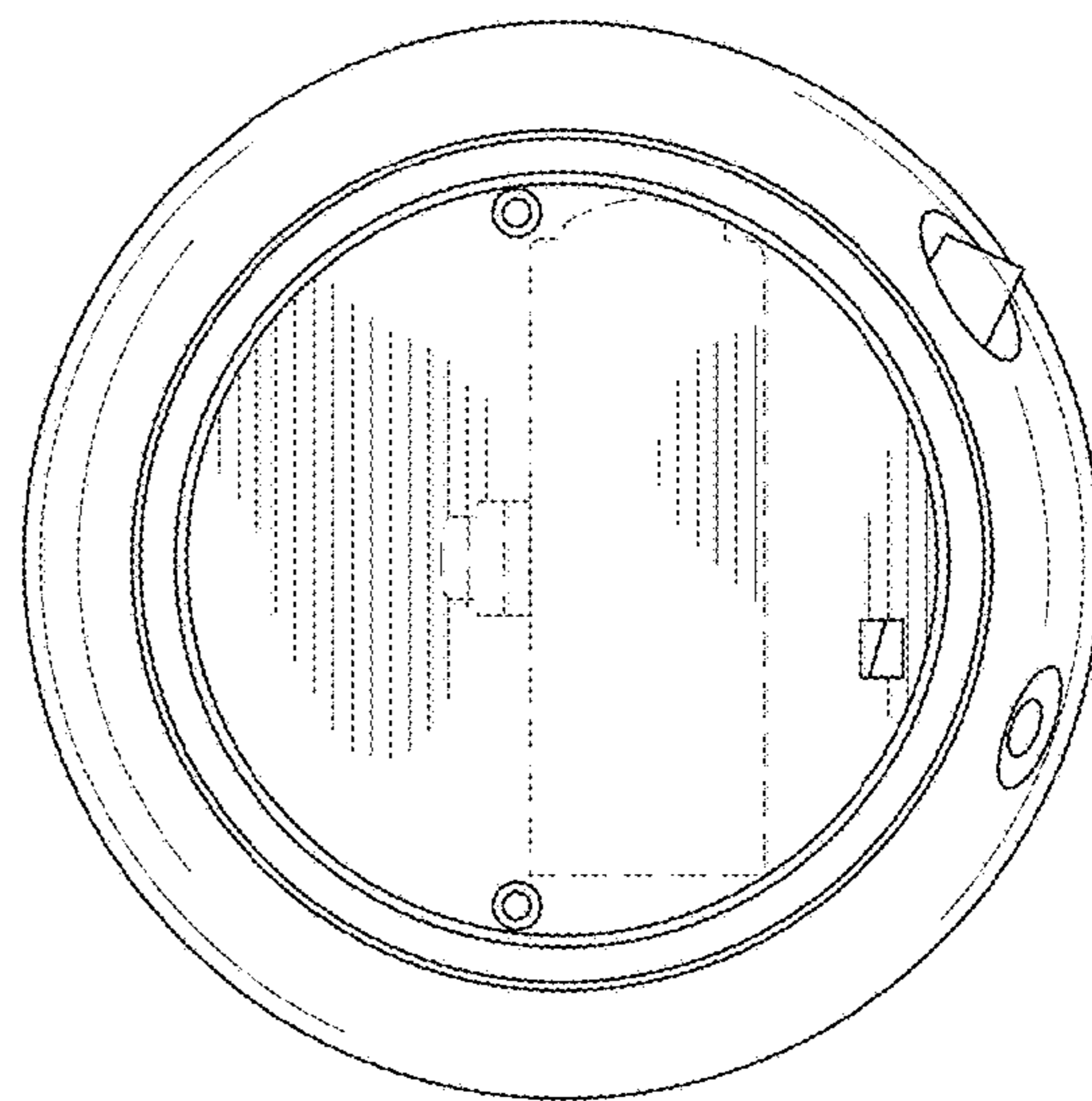


Fig. 7