



US00D808436S

(12) **United States Design Patent**
Hamburger et al.

(10) **Patent No.:** **US D808,436 S**
(45) **Date of Patent:** **** Jan. 23, 2018**

- (54) **SUPERCHARGER SYSTEM**
- (71) Applicant: **Hamburger's Specialty Vehicles, Inc.**,
Toms River, NJ (US)
- (72) Inventors: **Edward Hamburger**, Toms River, NJ
(US); **David Goral**, Bayville, NJ (US);
Henry Daniecki, Cream Ridge, NJ
(US)
- (73) Assignee: **HAMBURGER'S SPECIALTY**
VEHICLES, INC., Toms River, NJ
(US)
- (**) Term: **15 Years**
- (21) Appl. No.: **29/582,663**
- (22) Filed: **Oct. 28, 2016**
- (51) **LOC (11) Cl.** **15-01**
- (52) **U.S. Cl.**
USPC **D15/5**
- (58) **Field of Classification Search**
USPC D15/1-5
CPC F01D 9/026; F02B 37/183; F02B 29/0412;
F02B 29/0437; F02B 33/36; F02B 27/00;
F02B 33/44; F02B 61/02; F02M
35/10157; F02M 35/116; F02M 35/161;
F02M 35/10039; F02M 35/10045; F02M
35/10144; F02M 35/10268
See application file for complete search history.

7,654,876	B1 *	2/2010	Jones	F02B 33/40	123/559.1
8,439,019	B1 *	5/2013	Carlson	F16H 7/20	123/559.1
8,439,020	B1 *	5/2013	Carlson	F02B 33/40	123/559.1
9,664,152	B2 *	5/2017	Zoner	F02M 35/10157	
2011/0123315	A1 *	5/2011	Robinson	F02B 37/004	415/145
2011/0252790	A1 *	10/2011	Lotterman	F02B 37/00	60/605.1
2014/0165559	A1 *	6/2014	Lotterman	F02B 37/025	60/605.1
2015/0198106	A1 *	7/2015	Ishibashi	F02D 23/02	123/445
2016/0237961	A1 *	8/2016	Callaway, III	...	F02M 35/10157	
2017/0101925	A1 *	4/2017	Robinson	F02B 37/183	
2017/0198593	A1 *	7/2017	Yoshida	F01D 9/026	
2017/0218891	A1 *	8/2017	Zoner	F02M 35/10085	

* cited by examiner

Primary Examiner — T. Chase Nelson

Assistant Examiner — Ania Aman

(74) *Attorney, Agent, or Firm* — MacMillan, Sobanski & Todd, LLC

(57) **CLAIM**

The ornamental design for a supercharger system, as shown and described.

DESCRIPTION

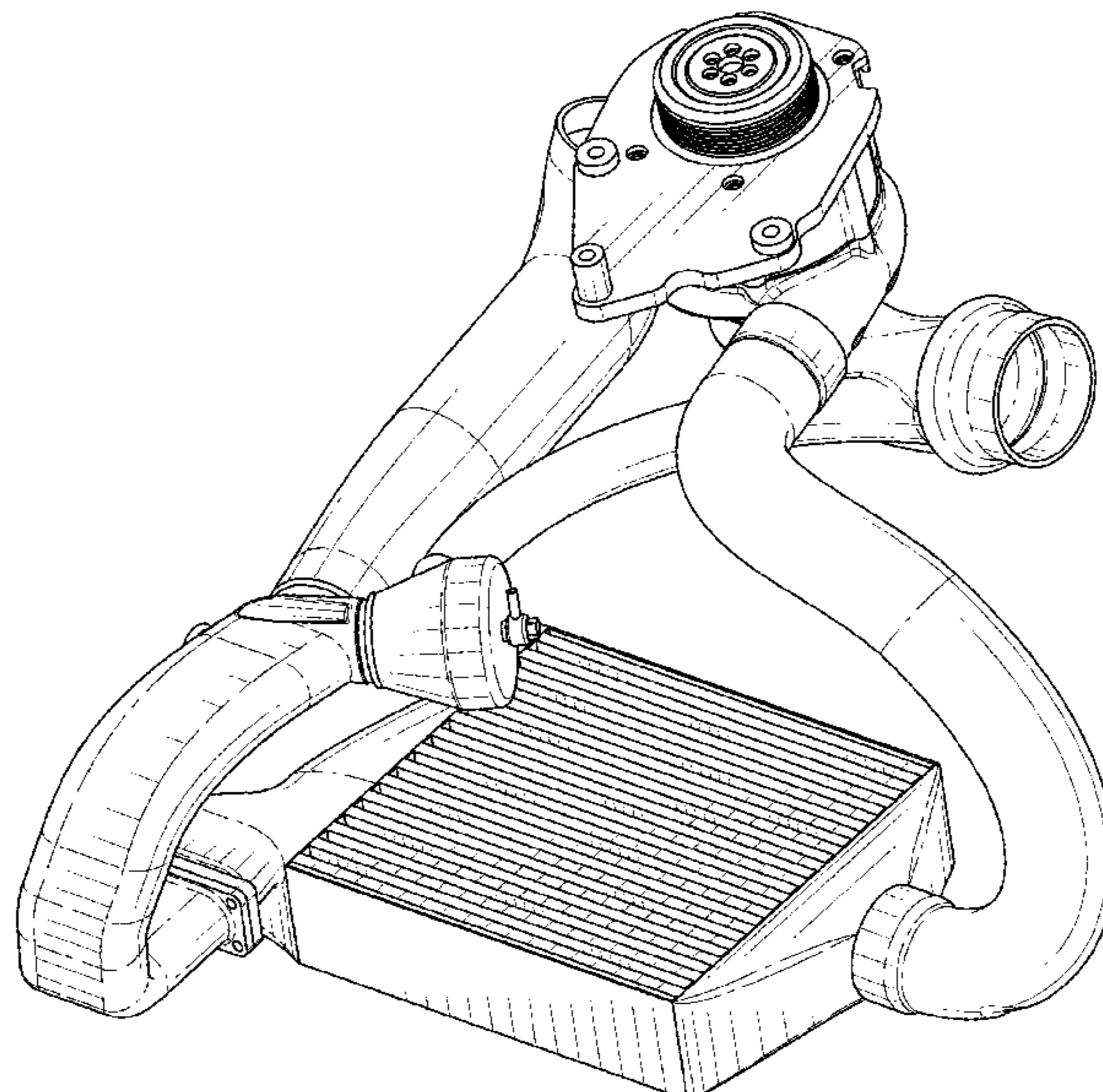
FIG. 1 is a perspective view of a supercharger system according to the design;
 FIG. 2 is a rear elevational view thereof;
 FIG. 3 is a front elevational view thereof;
 FIG. 4 is a left side elevational view thereof;
 FIG. 5 is a right side elevational view thereof;
 FIG. 6 is a top plan view thereof; and,
 FIG. 7 is a bottom plan view thereof.

1 Claim, 7 Drawing Sheets

(56) **References Cited**

U.S. PATENT DOCUMENTS

4,417,559	A *	11/1983	Matsuda	F02B 27/00	123/184.21
5,586,540	A *	12/1996	Marzec	F02B 33/40	123/559.1



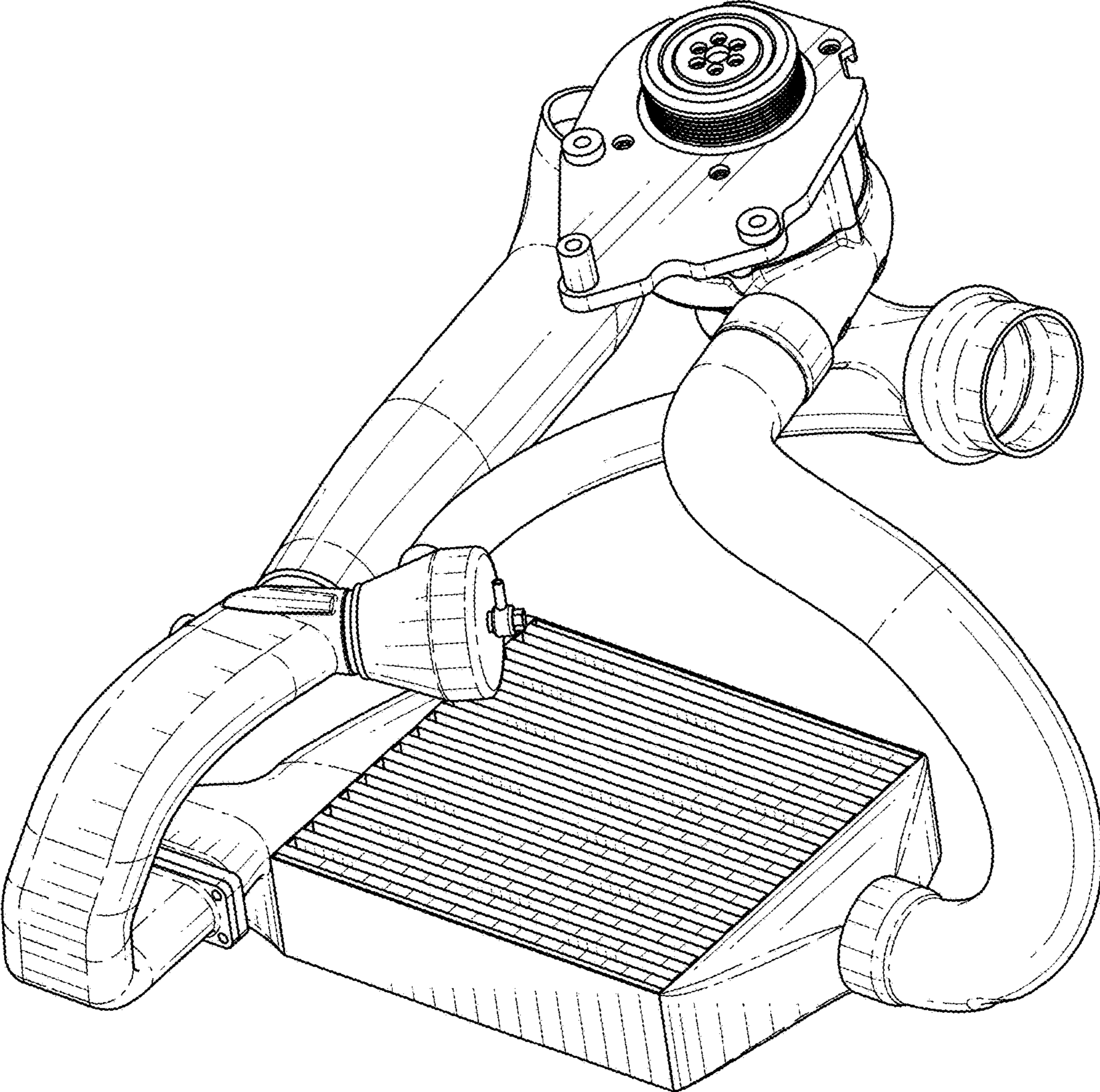


FIG. 1

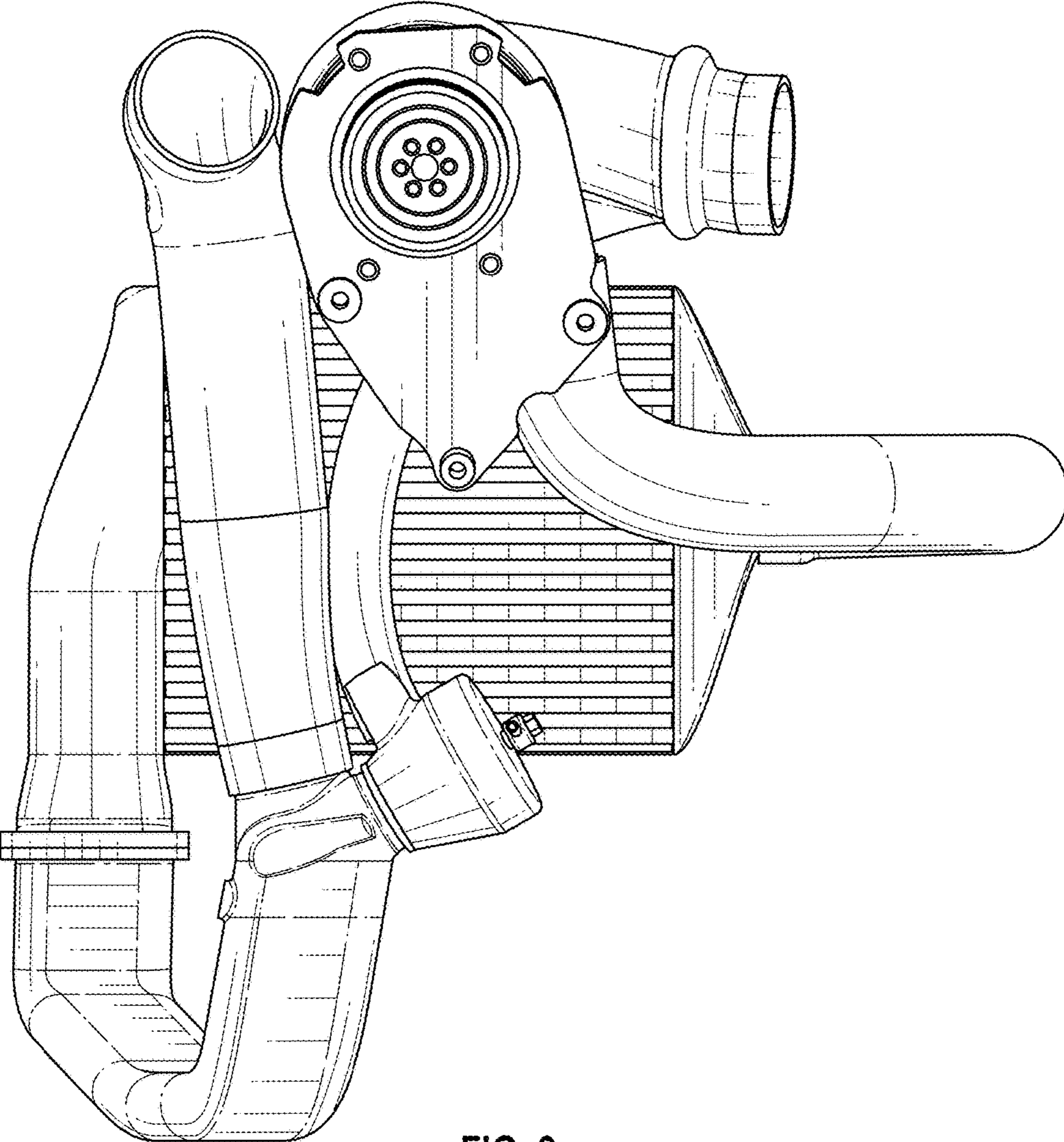


FIG. 2

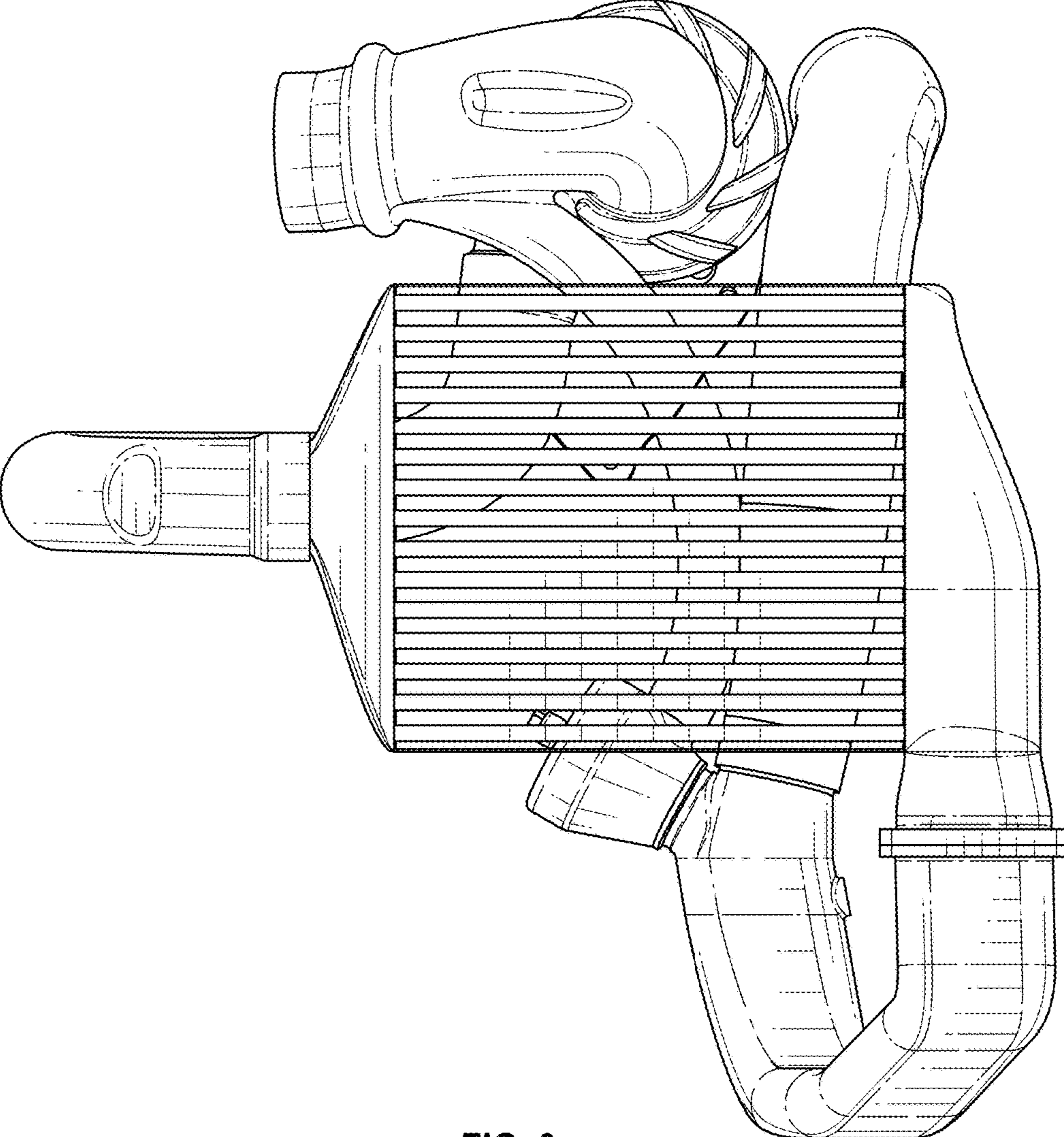


FIG. 3

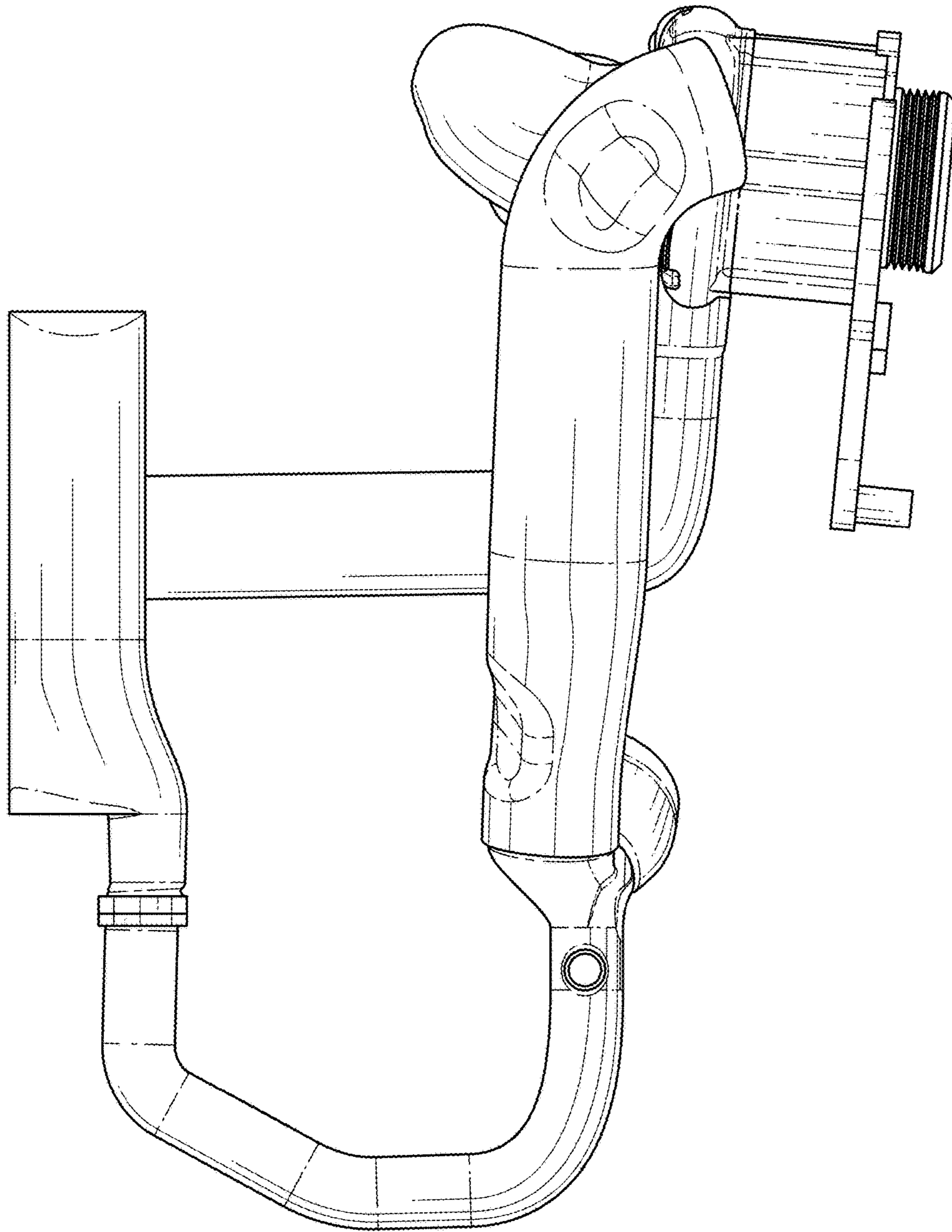


FIG. 4

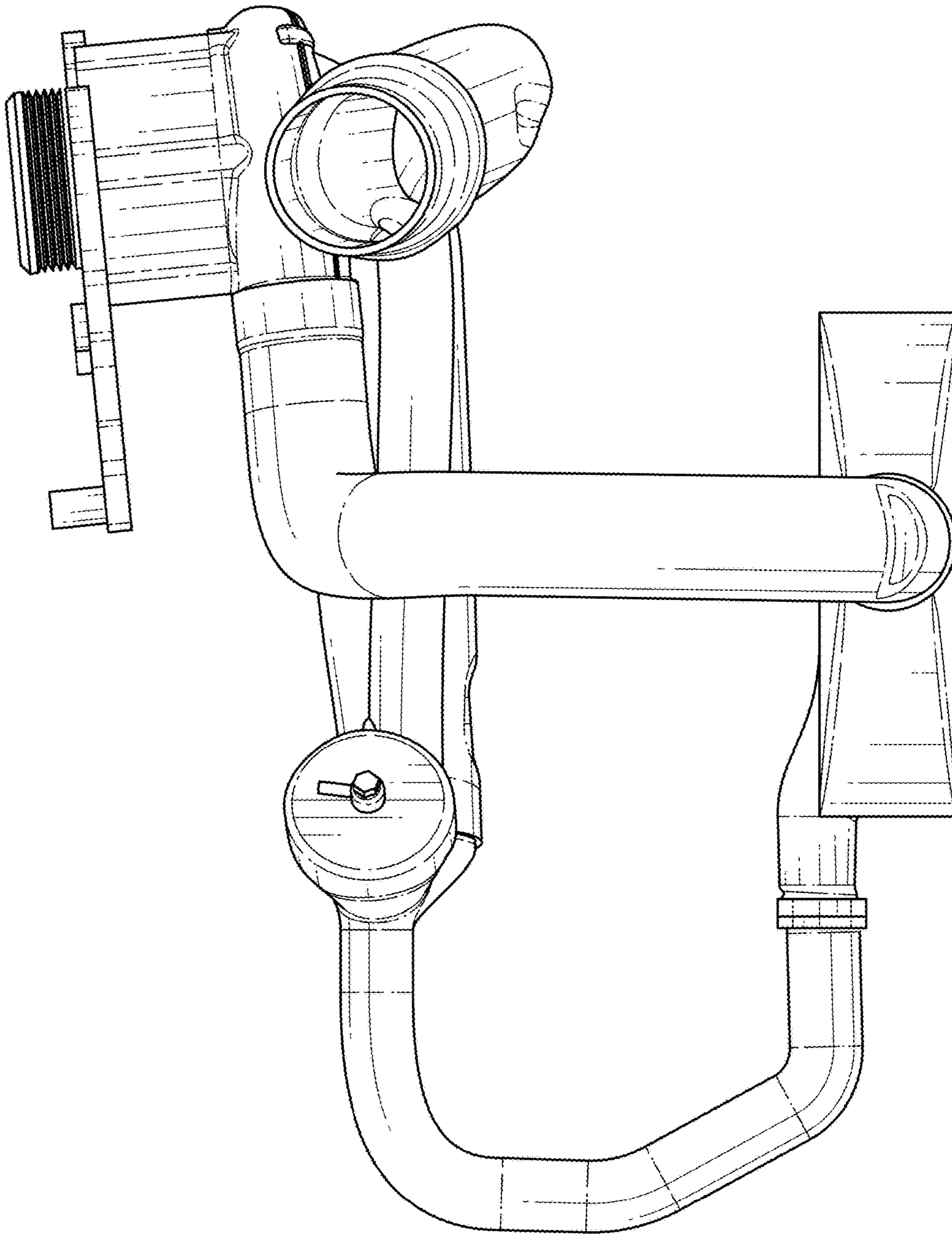


FIG. 5

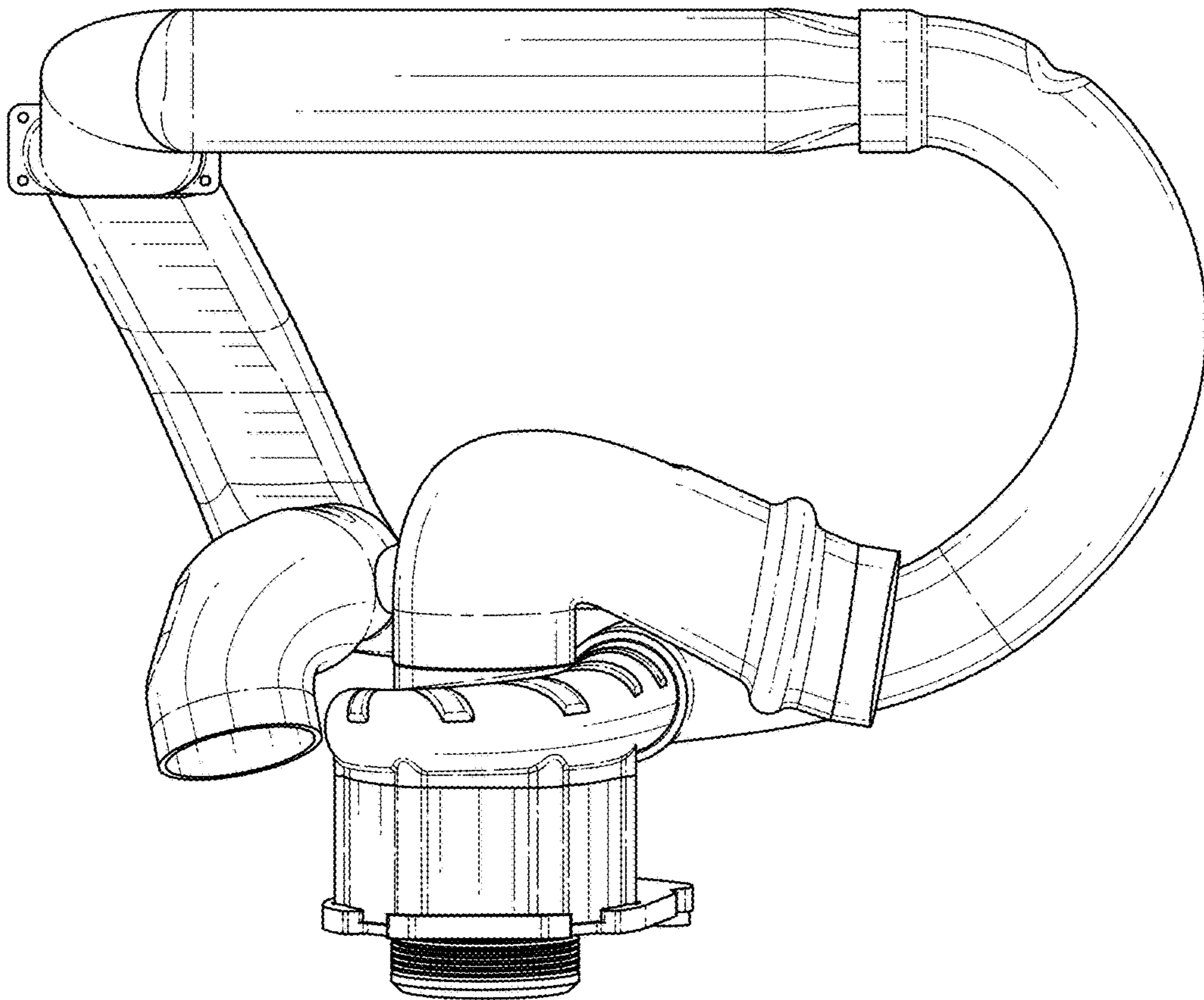


FIG. 6

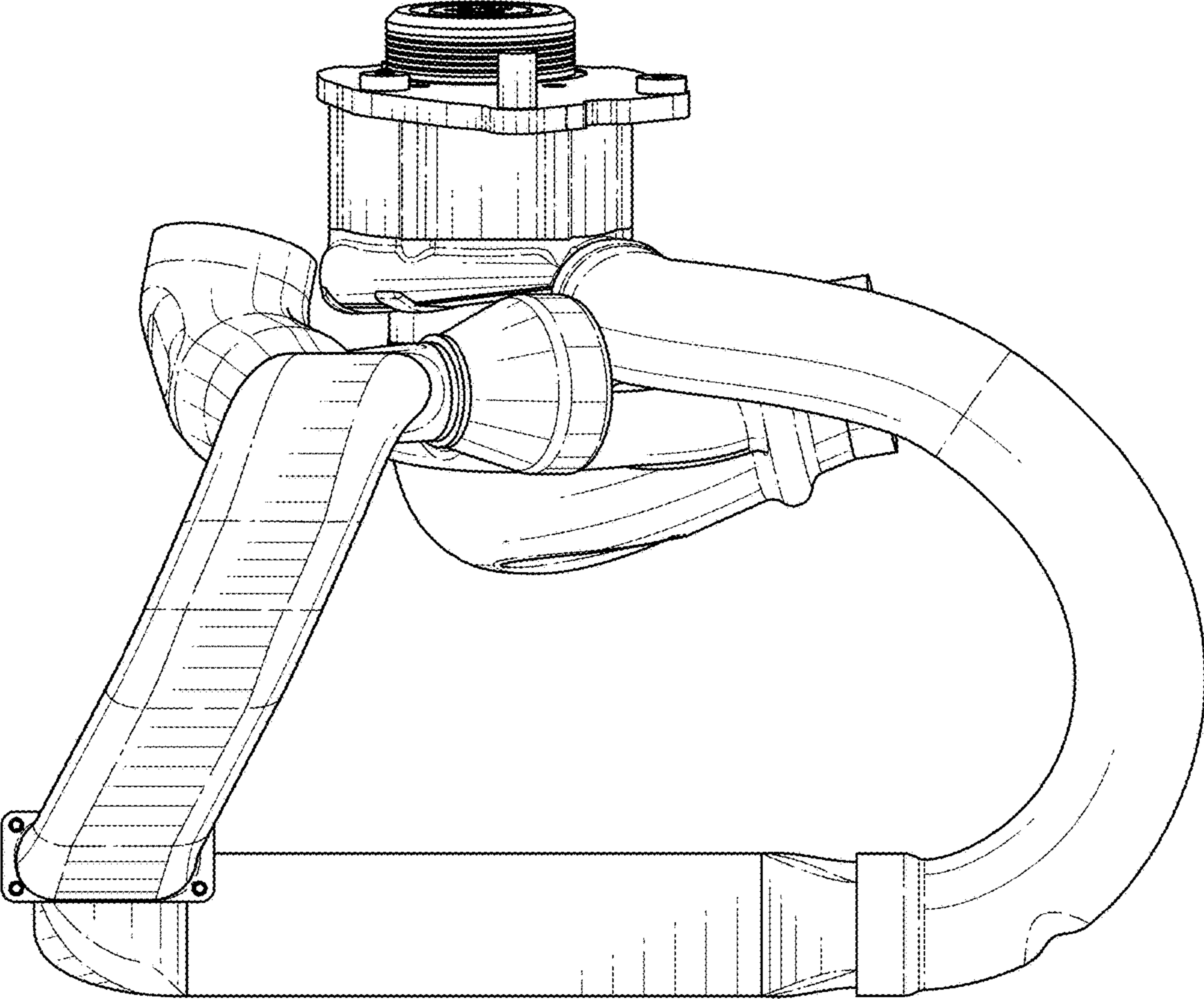


FIG. 7