



US00D808435S

(12) **United States Design Patent**  
**Shehan et al.**

(10) **Patent No.:** **US D808,435 S**  
(45) **Date of Patent:** **\*\* Jan. 23, 2018**

(54) **EFI THROTTLE BODY**

4,294,282 A 10/1981 McCabe et al.  
4,306,441 A 12/1981 Dodson  
4,318,214 A 3/1982 Dodson  
4,325,339 A 4/1982 Bier et al.

(71) Applicant: **Holley Performance Products Inc.**,  
Bowling Green, KY (US)

(Continued)

(72) Inventors: **Laura Shehan**, Bowling Green, KY  
(US); **Jonathan Sams**, Woodburn, KY  
(US); **Adam Layman**, Alvaton, KY  
(US); **Douglas Flynn**, Bowling Green,  
KY (US); **Amy Gieske**, Loogootee, IN  
(US)

**FOREIGN PATENT DOCUMENTS**

AU 201710470 2/2017  
AU 201710471 2/2017

(Continued)

(73) Assignee: **Holley Performance Products, Inc.**,  
Bowling Green, KY (US)

**OTHER PUBLICATIONS**

Transmittal Letter of Related Cases.  
Design U.S. Appl. No. 29/572,684 entitled "EFI Throttle Body"  
filed Jul. 29, 2016.

(\*\*) Term: **15 Years**

*Primary Examiner* — T. Chase Nelson  
*Assistant Examiner* — Ania Aman

(21) Appl. No.: **29/572,692**

(74) *Attorney, Agent, or Firm* — Middleton Reutlinger

(22) Filed: **Jul. 29, 2016**

(51) **LOC (11) Cl.** ..... **15-01**

(52) **U.S. Cl.**  
USPC ..... **D15/5**

(58) **Field of Classification Search**  
USPC ..... D15/1-6  
CPC ..... F02M 1/00; F02M 13/00; F02M 17/00;  
F02M 37/00; F02M 7/17; F02M 69/52;  
F02M 69/043; F02M 69/462; F02M  
51/005; F02M 63/0056; F02M 63/02;  
F02M 71/00; F02M 61/145; F02M  
63/0275; F02M 63/0047; F02D 9/1035;  
F02D 35/0092; F02D 35/0053  
See application file for complete search history.

(57) **CLAIM**

We claim the ornamental design for an EFI throttle body, as  
shown and described.

**DESCRIPTION**

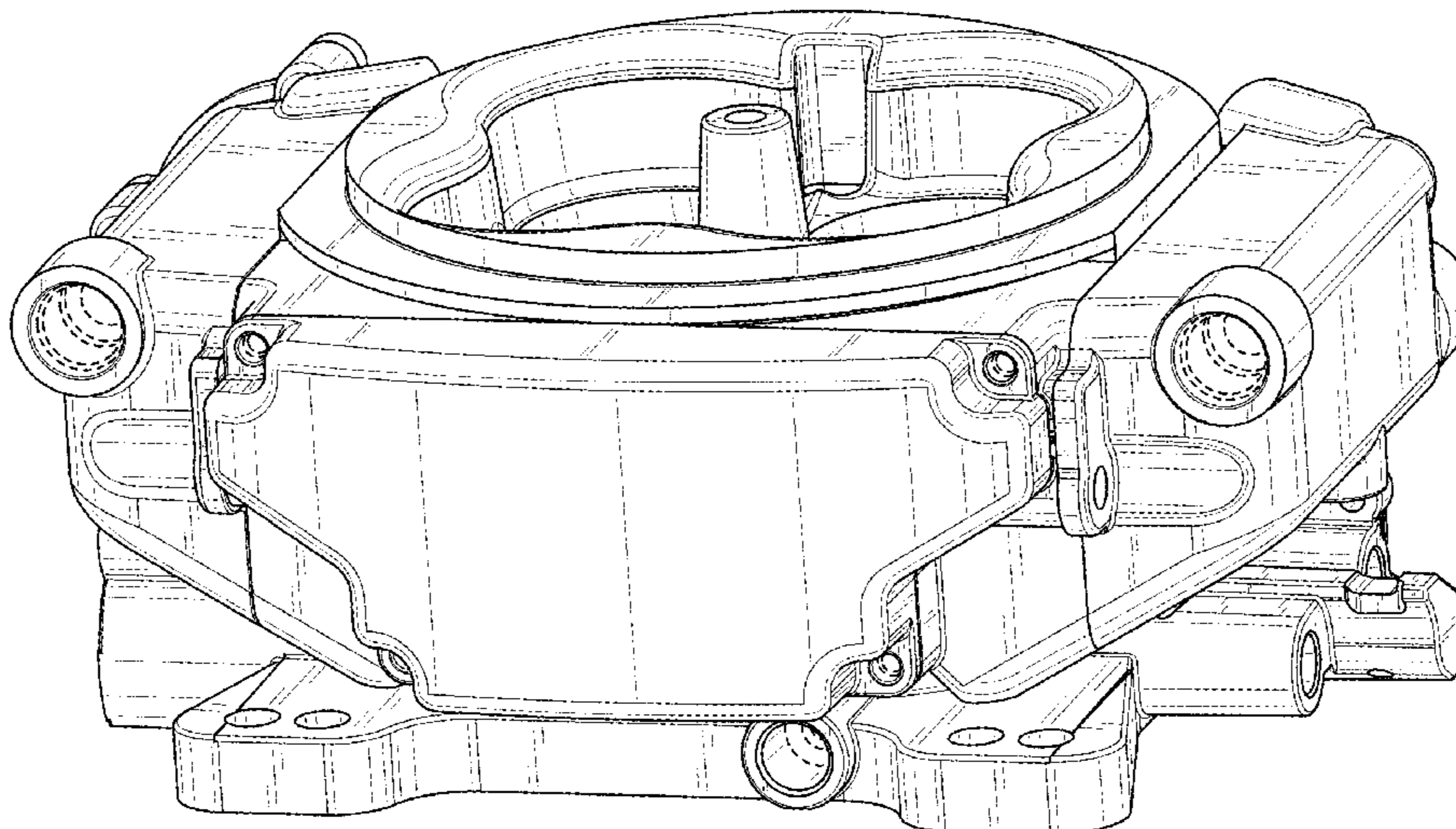
FIG. 1 is a front perspective view of an EFI throttle body  
showing my new design.  
FIG. 2 is a front elevational view thereof;  
FIG. 3 is a back elevational view thereof;  
FIG. 4 is a left side elevational view thereof;  
FIG. 5 is a right side elevational view thereof;  
FIG. 6 is a top plan view thereof;  
FIG. 7 is a bottom plan view thereof; and,  
FIG. 8 is a rear elevational view thereof.  
The broken lines in the drawings illustrate unclaimed envi-  
ronmental structure as well as the boundaries of the claimed  
design. The broken lines, as well as the boundaries and  
structure they depict, form no part of the claimed design.

(56) **References Cited**

**U.S. PATENT DOCUMENTS**

3,104,272 A \* 9/1963 Carlson ..... F02M 1/00  
261/23.2  
3,294,374 A \* 12/1966 Smith ..... F02M 1/10  
123/579  
4,224,908 A 9/1980 Bier et al.  
4,230,645 A 10/1980 Dodson

**1 Claim, 8 Drawing Sheets**



(56)

References Cited

U.S. PATENT DOCUMENTS

4,348,338 A \* 9/1982 Martinez ..... F02M 3/08  
123/518  
4,357,283 A 11/1982 Manning  
4,434,762 A 3/1984 McCabe et al.  
4,434,763 A 3/1984 McCabe et al.  
4,556,032 A 12/1985 Miller  
5,667,730 A \* 9/1997 Barfield ..... F02M 1/16  
261/18.3  
5,807,512 A \* 9/1998 Grant ..... F02M 9/14  
261/23.2  
5,809,972 A \* 9/1998 Grant ..... F02M 71/00  
123/472  
5,863,470 A \* 1/1999 Grant ..... F02M 9/14  
261/23.2  
6,120,007 A \* 9/2000 Grant ..... F02M 9/14  
261/23.2  
D447,147 S 8/2001 Grant  
6,286,817 B1 \* 9/2001 Grant ..... F02M 5/12  
116/276  
6,481,698 B1 11/2002 Calvin et al.  
6,874,768 B2 4/2005 Grant  
D508,496 S \* 8/2005 Grant ..... D15/6  
7,255,331 B2 8/2007 Grant  
7,533,661 B2 5/2009 Baasch  
7,591,245 B2 9/2009 Baasch et al.  
7,658,177 B2 2/2010 Baasch et al.  
7,735,475 B2 \* 6/2010 Farrell ..... F02M 35/10032  
123/336  
D619,621 S \* 7/2010 Braswell ..... D15/6  
D655,311 S 3/2012 Gieske et al.  
D659,714 S 5/2012 Gieske et al.  
9,115,671 B2 8/2015 Benoit

D748,149 S \* 1/2016 Laws ..... D15/6  
9,303,578 B2 \* 4/2016 Wittkopf ..... F02D 41/08  
9,376,997 B1 6/2016 Farrell et al.  
D760,804 S \* 7/2016 Shehan ..... D15/6  
9,482,198 B1 \* 11/2016 Farrell ..... F02M 69/52  
2004/0155367 A1 8/2004 Grant  
2005/0082694 A1 4/2005 Grant  
2005/0110170 A1 5/2005 Grant  
2006/0244158 A1 11/2006 Grant  
2007/0013086 A1 \* 1/2007 Cooper ..... F02M 5/12  
261/70  
2008/0110435 A1 5/2008 Baasch et al.  
2008/0110436 A1 5/2008 Baasch et al.  
2008/0302326 A1 12/2008 Grant  
2009/0101104 A1 4/2009 Baasch et al.  
2009/0145406 A1 \* 6/2009 Farrell ..... F02M 35/10032  
123/470  
2010/0077993 A1 \* 4/2010 Satterfield ..... F02M 13/00  
123/439  
2013/0298868 A1 \* 11/2013 Wittkopf ..... F02D 41/08  
123/339.14  
2013/0298871 A1 \* 11/2013 Bennett ..... F02M 35/10216  
123/445  
2014/0123944 A1 \* 5/2014 Benoit ..... F02M 17/34  
123/445  
2015/0108256 A1 4/2015 Flynn et al.

FOREIGN PATENT DOCUMENTS

CA 2391589 5/2001  
CN 01568711 10/2009  
EP 003729599 1/2017  
WO 0136804 5/2001  
WO 2008061065 5/2008

\* cited by examiner

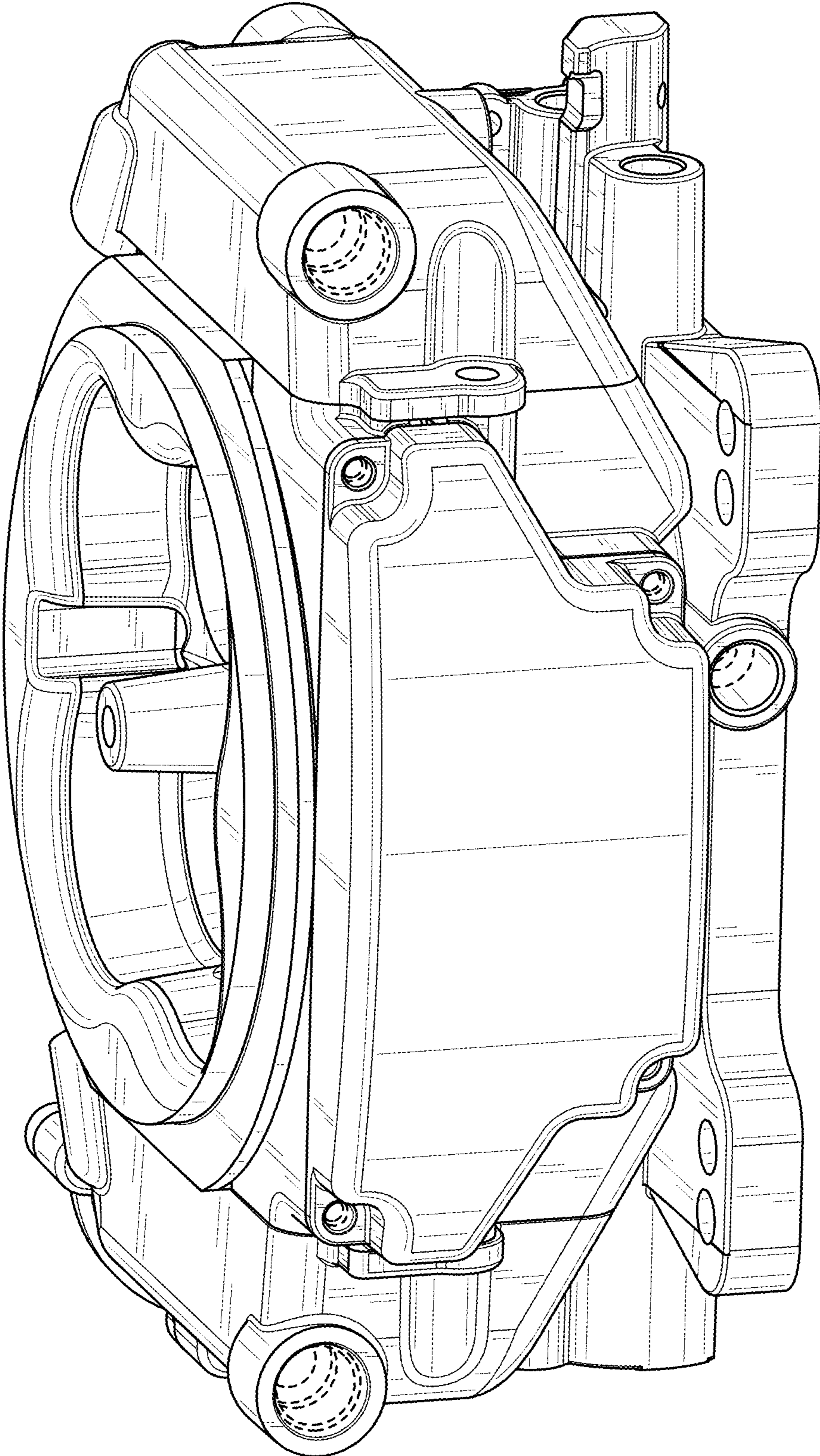


FIG. 1

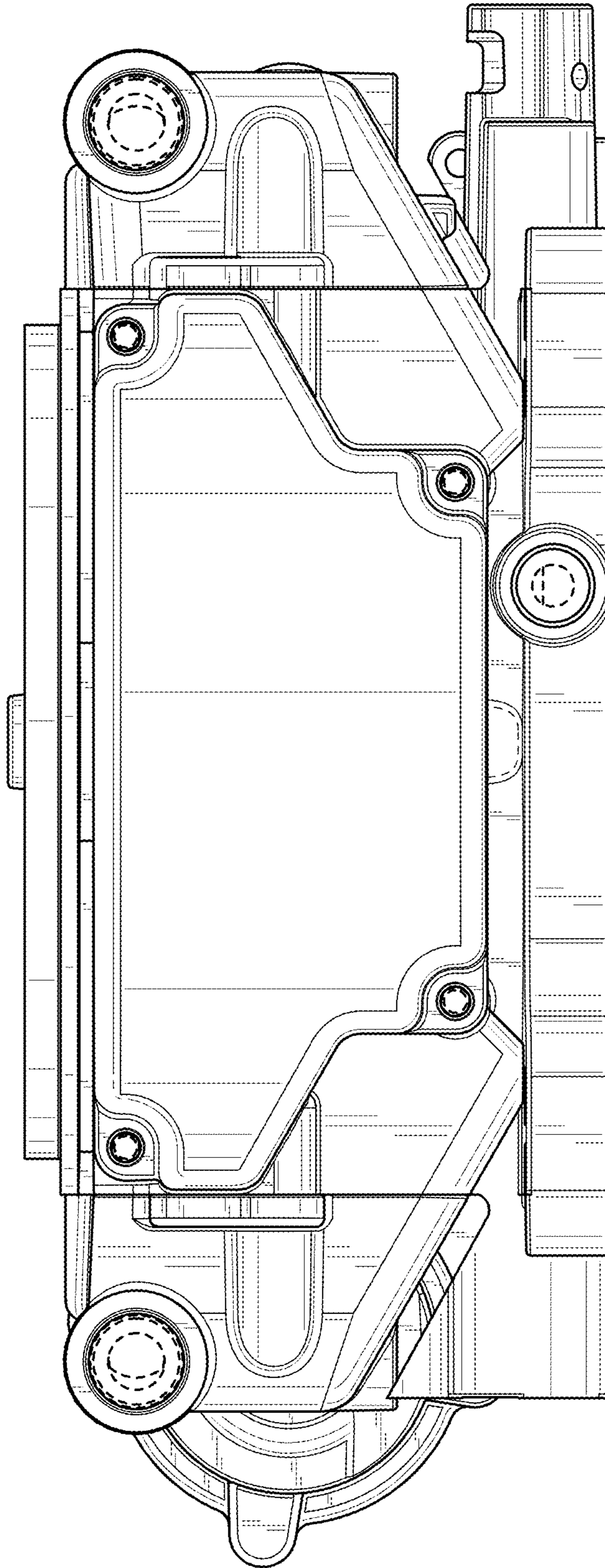


FIG. 2

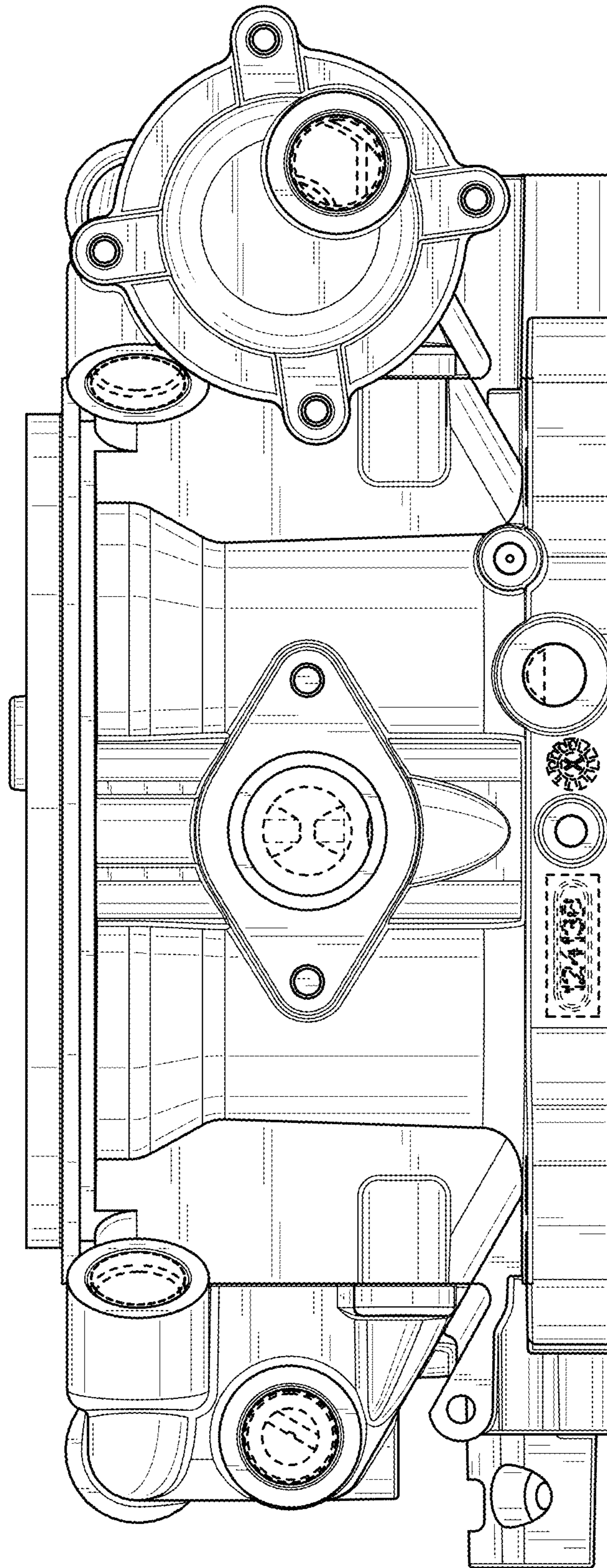


FIG. 3

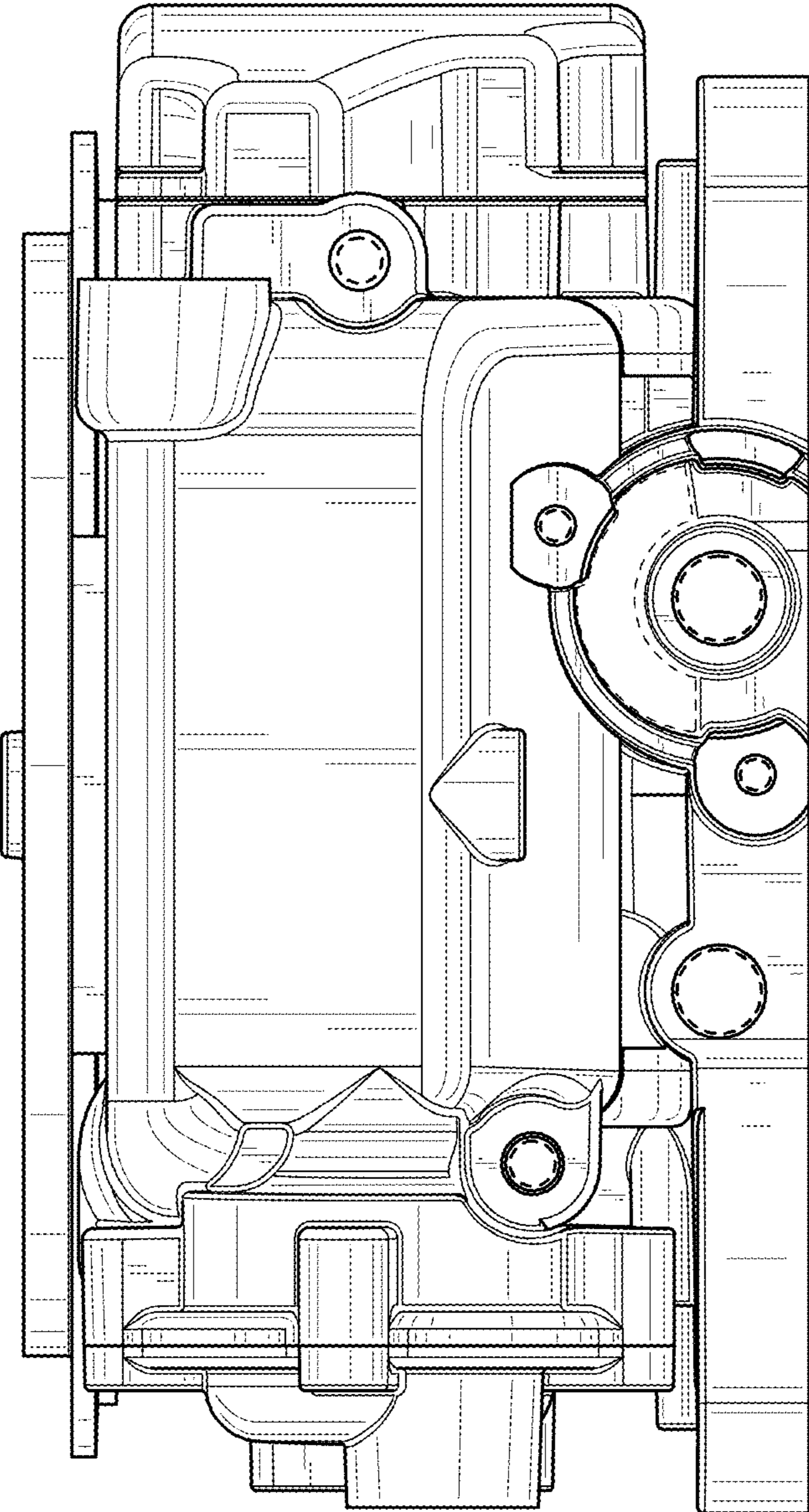


FIG. 4

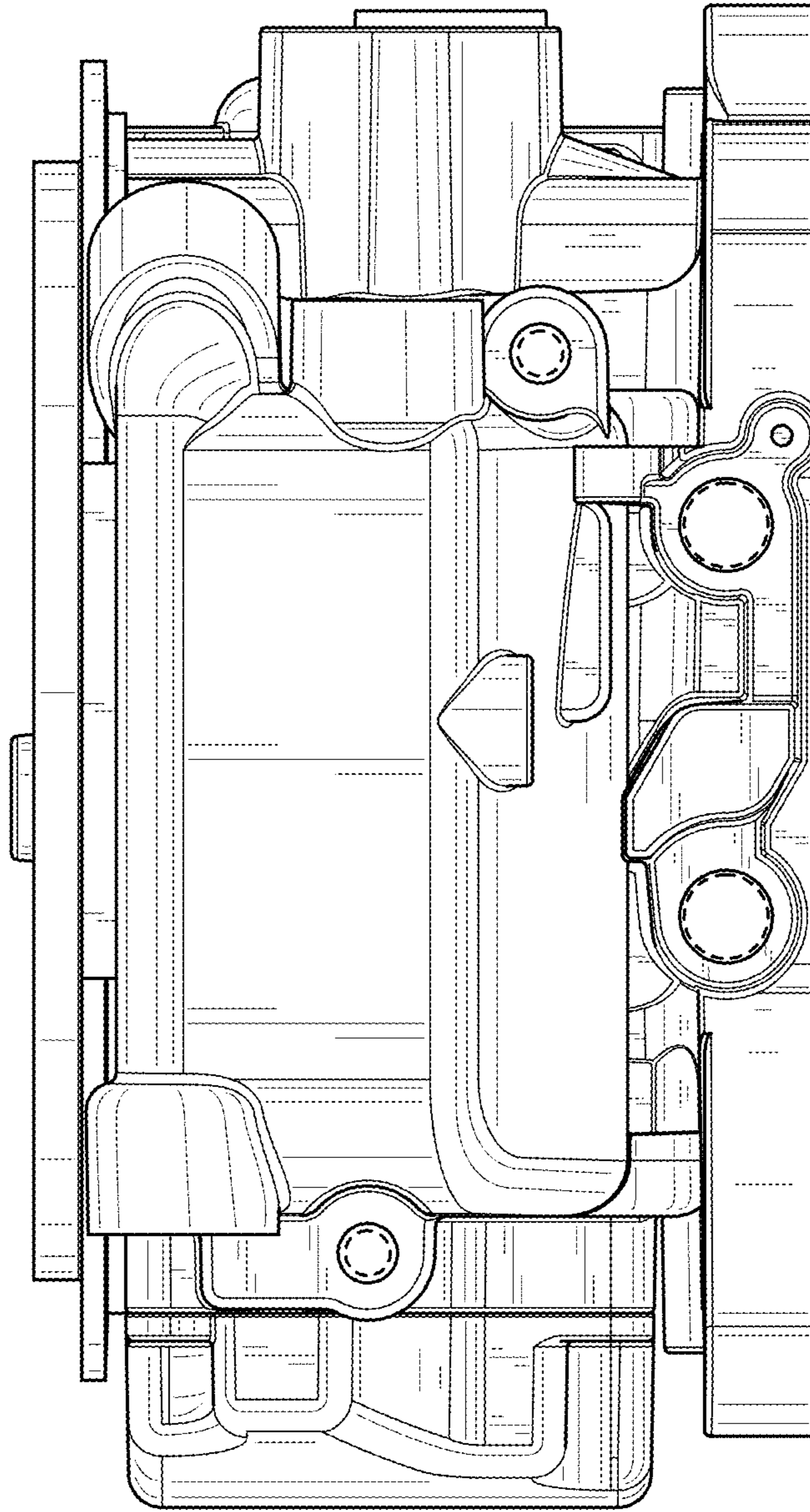


FIG. 5

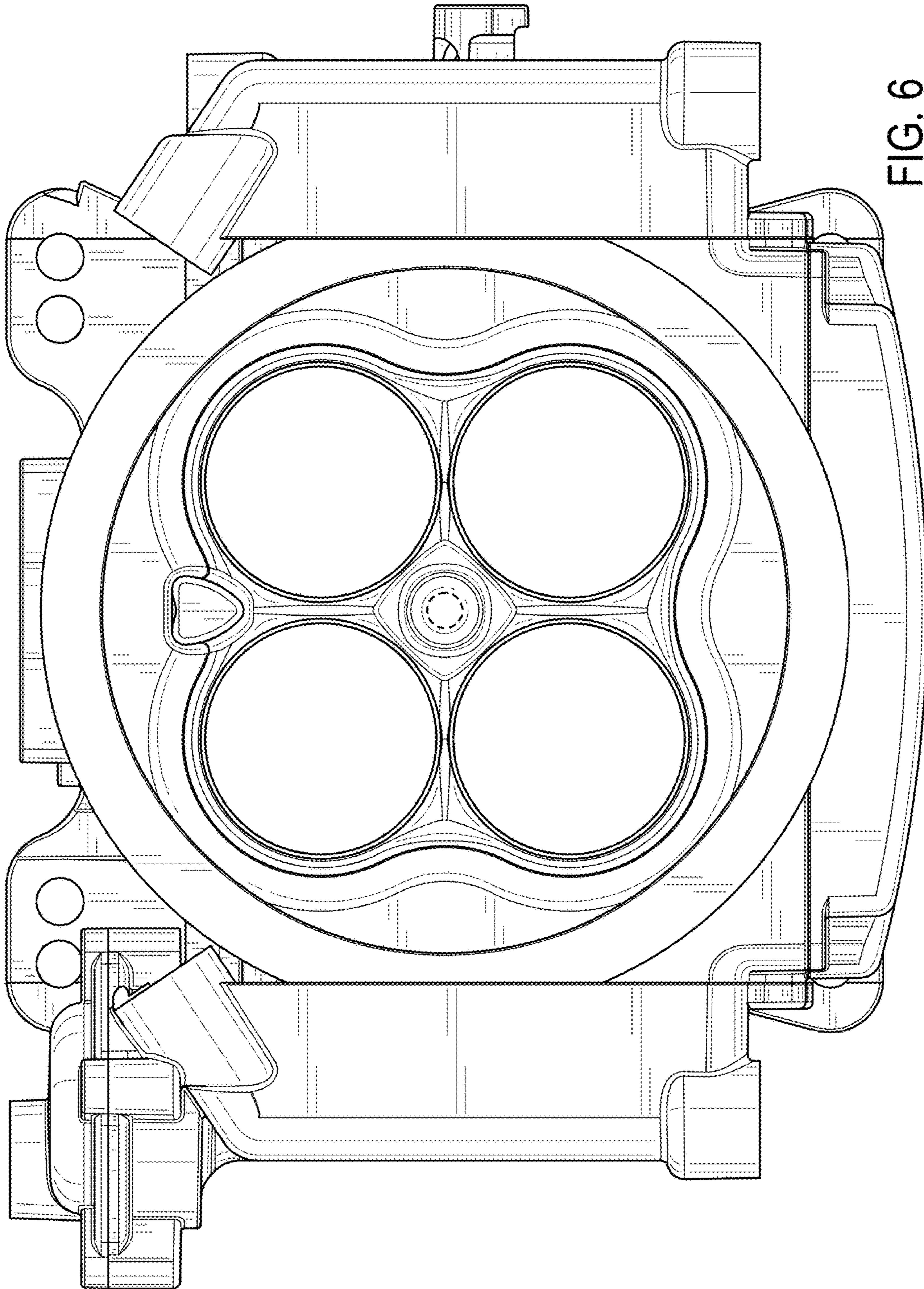


FIG. 6



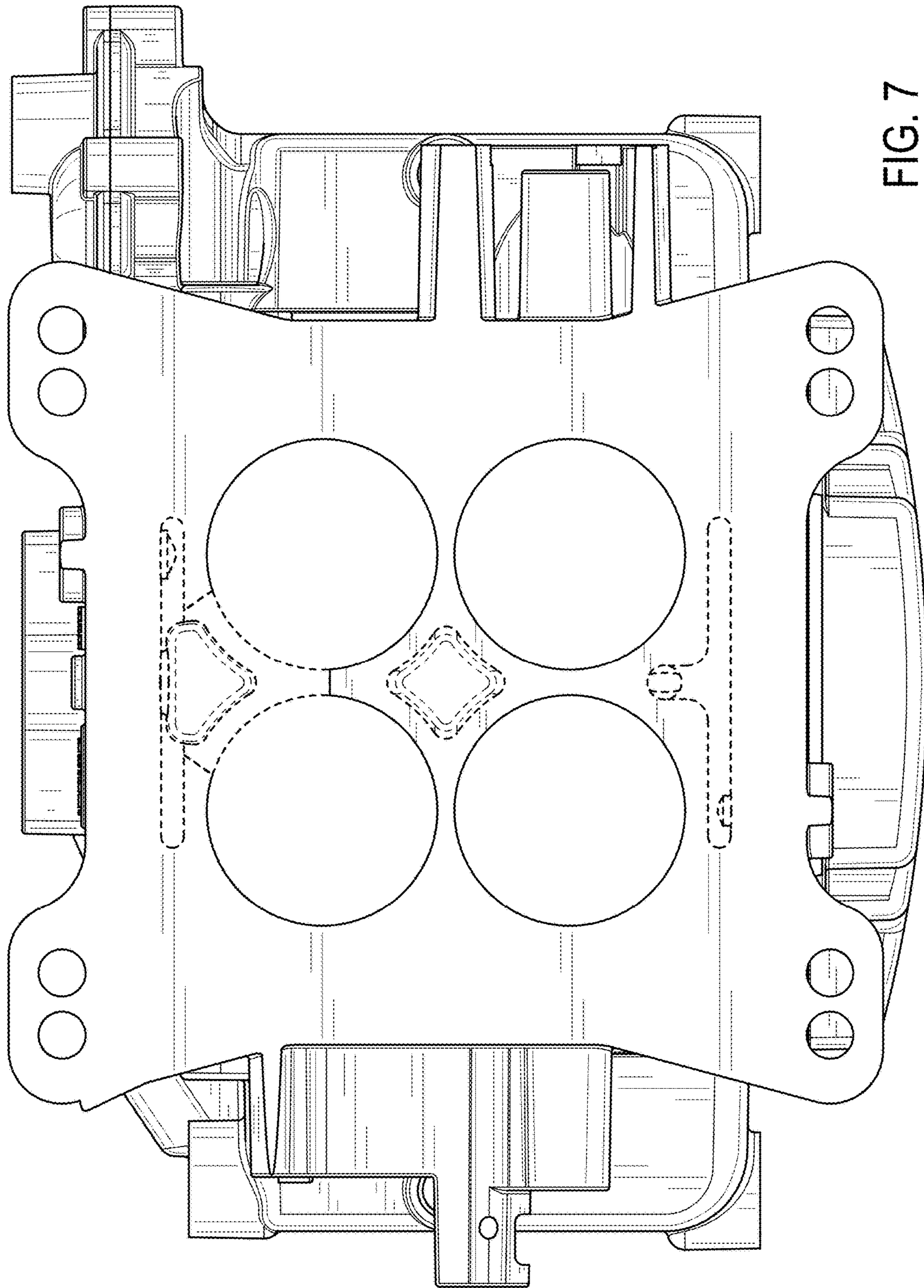


FIG. 7

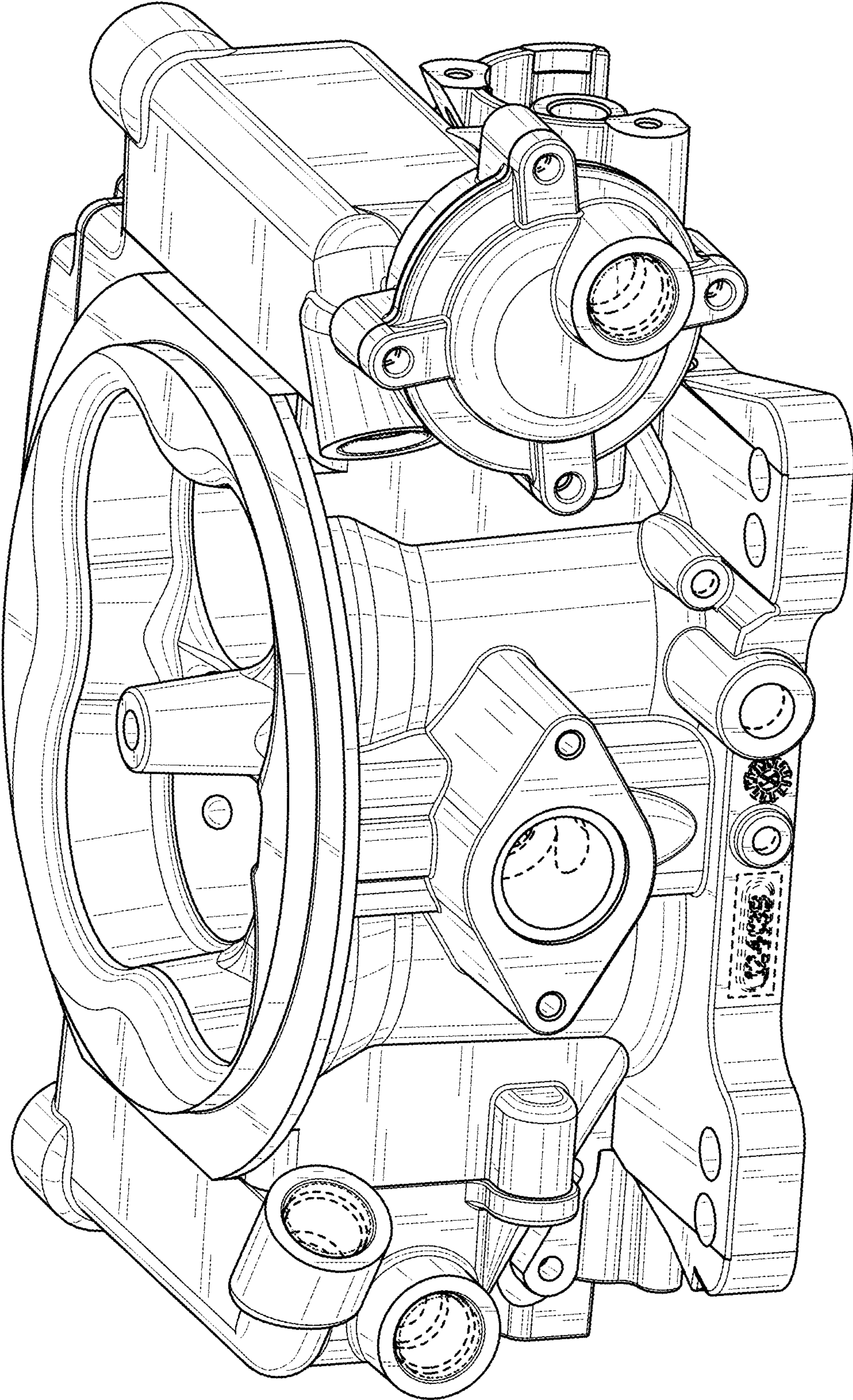


FIG. 8