



US00D808434S

(12) **United States Design Patent**
Van Lant et al.

(10) **Patent No.:** **US D808,434 S**

(45) **Date of Patent:** **** Jan. 23, 2018**

(54) **LOWER VENT OF A MULTI-CHAMBER BLOWOFF VALVE**

(71) Applicant: **Accessible Technologies, Inc.**, Lenexa, KS (US)

(72) Inventors: **Tyler Van Lant**, Olathe, KS (US);
Michael A. Carlson, Overland Park, KS (US)

(73) Assignee: **Accessible Technologies, Inc.**, Lenexa, KS (US)

(**) Term: **15 Years**

(21) Appl. No.: **29/566,179**

(22) Filed: **May 27, 2016**

(51) **LOC (11) Cl.** **15-01**

(52) **U.S. Cl.**
USPC **D15/5**

(58) **Field of Classification Search**
USPC D15/5, 1, 7; 251/129.2, 175, 229, 38;
137/10; D4/138; D3/12; D8/352, 313;
53/492; 220/271, 737, 761, 770;
292/DIG. 63; 60/602, 598; 123/559.1;
D34/39

CPC F16K 24/04; F16K 31/363
See application file for complete search history.

(56) **References Cited**

U.S. PATENT DOCUMENTS

- 4,248,047 A * 2/1981 Sumi F02B 37/186
60/602
- 4,561,631 A * 12/1985 Slavin F02B 37/186
251/129.2
- D566,234 S * 4/2008 Caron D15/5
- D626,968 S * 11/2010 Iwata D15/5
- D735,436 S * 7/2015 Lehman D34/39

- D745,056 S * 12/2015 Eybergen D15/5
- 2003/0106539 A1 * 6/2003 Jung F02B 37/16
123/559.1
- 2006/0064980 A1 * 3/2006 Ivens F02B 37/186
60/602
- 2007/0163257 A1 * 7/2007 Steed F02B 37/16
60/598
- 2012/0104010 A1 * 5/2012 Kelley B67C 7/00
220/737

OTHER PUBLICATIONS

Race Valve Open with Mounting Hardward (Steel Flange); Date Printed: May 19, 2016; Date Posted: Unknown; ProCharger Superchargers; <<https://www.procharger.com/store/index.php?act=viewProd&productId=92>>.

Proflo-Bullet Bypass Valve Open; Date Printed: May 19, 2016; Date Posted: Unknown; ProCharger Superchargers; <<https://www.procharger.com/store/index.php?act=viewProd&productId=90>>.

(Continued)

Primary Examiner — Cynthia Ramirez

Assistant Examiner — Gino Colan

(74) *Attorney, Agent, or Firm* — Erise IP, P.A.

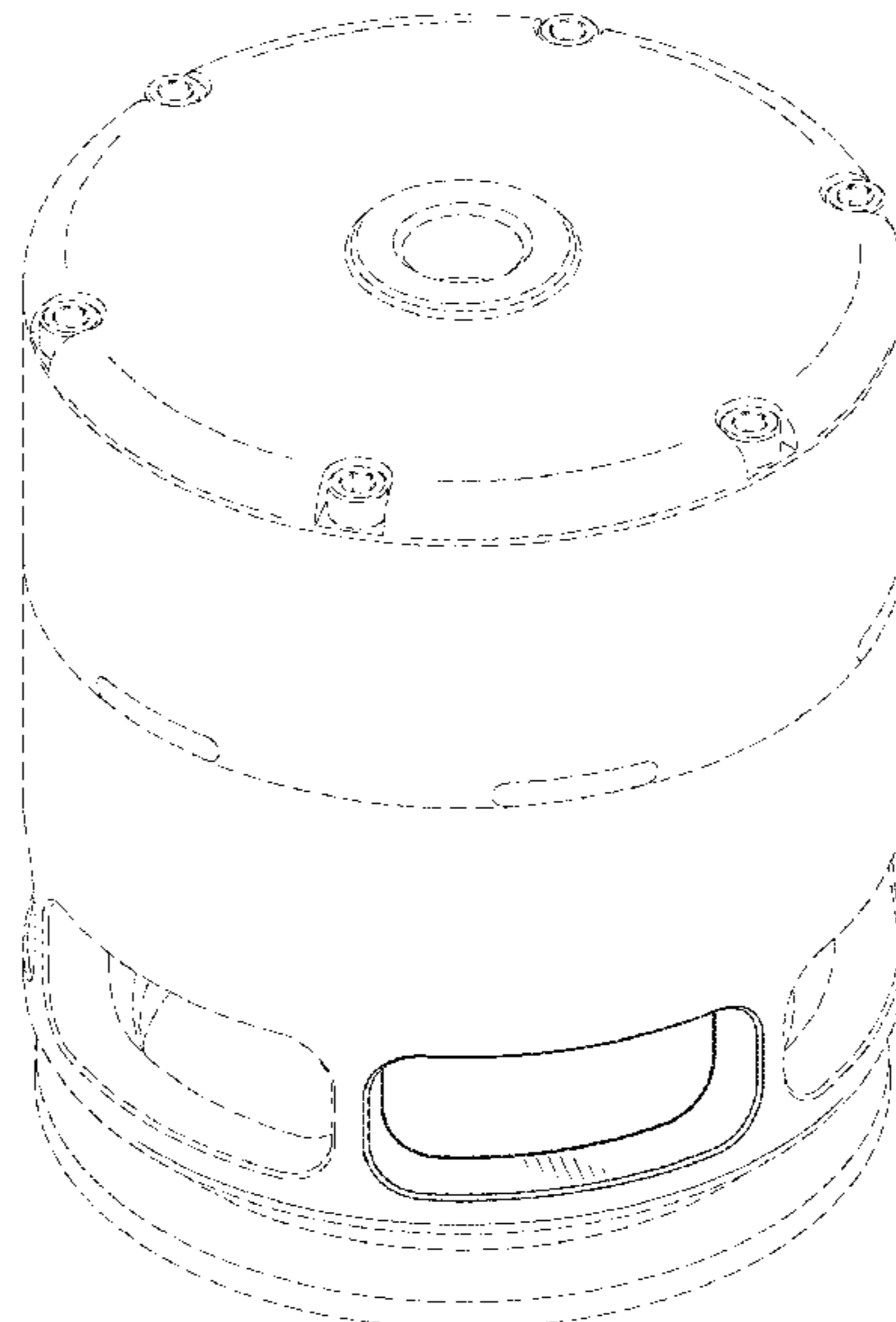
(57) **CLAIM**

The ornamental design for a lower vent of a multi-chamber blowoff valve, as shown and described.

DESCRIPTION

FIG. 1 is a perspective view of a lower vent of a multi-chamber blowoff valve showing our new design; FIG. 2 is a top plan view thereof; FIG. 3 is a front elevational view thereof; FIG. 4 is a back elevational view thereof; and, FIG. 5 is a bottom plan view thereof. The features shown in broken lines depict environmental structure only and form no part of the claimed design.

1 Claim, 3 Drawing Sheets



(56)

References Cited

OTHER PUBLICATIONS

Enclosed Race Valve with Aluminum; Date Printed: May 19, 2016;
Date Posted: Unknown; ProCharger Superchargers; <<https://www.procharger.com/store/index.php?act=viewProd&productId=2>>.

Open Race Valve with Aluminum; Date Printed: May 19, 2016;
Date Posted: Unknown; ProCharger Superchargers; <<https://www.procharger.com/store/index.php?act=viewProd&productId=4>>.

* cited by examiner

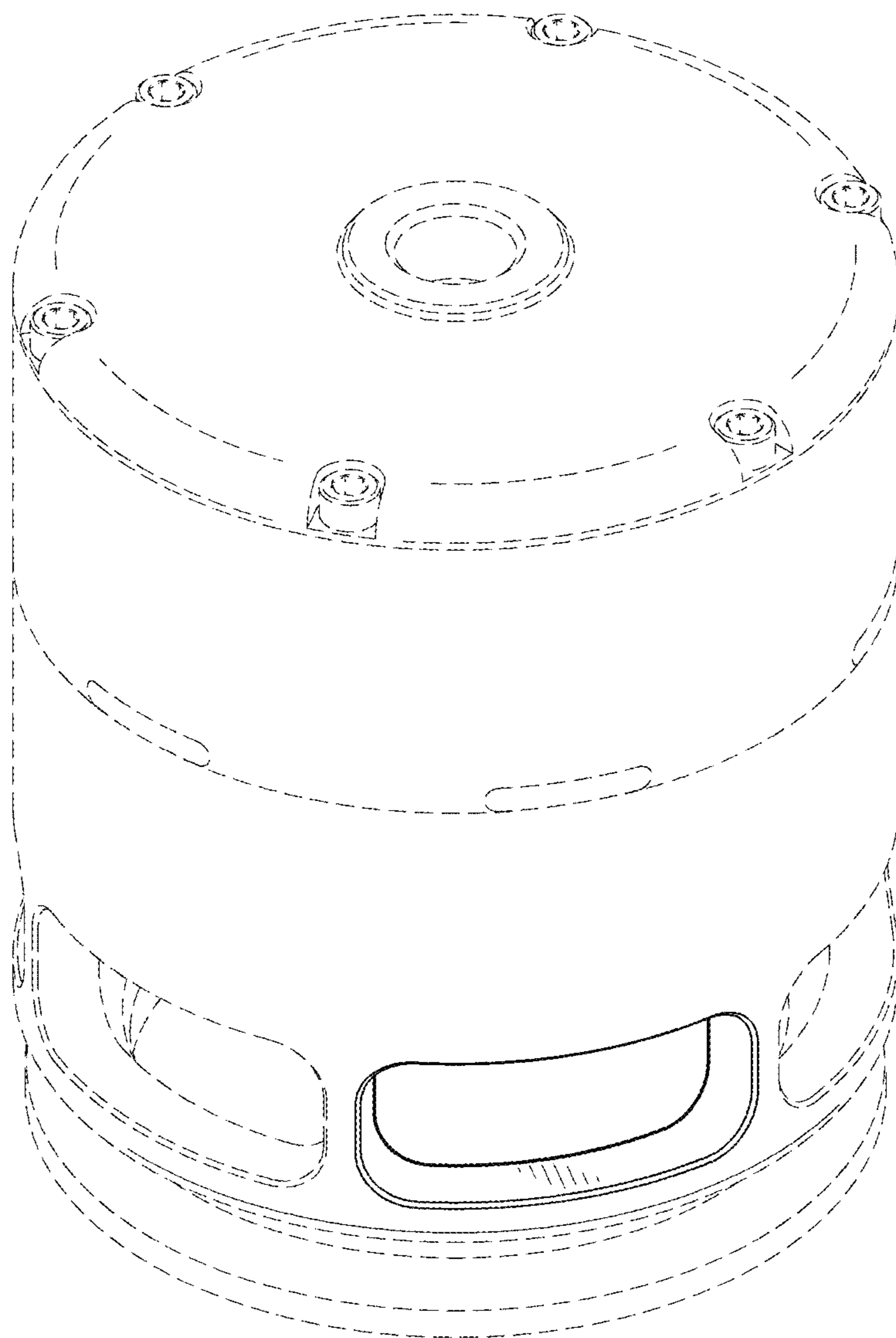


Fig. 1

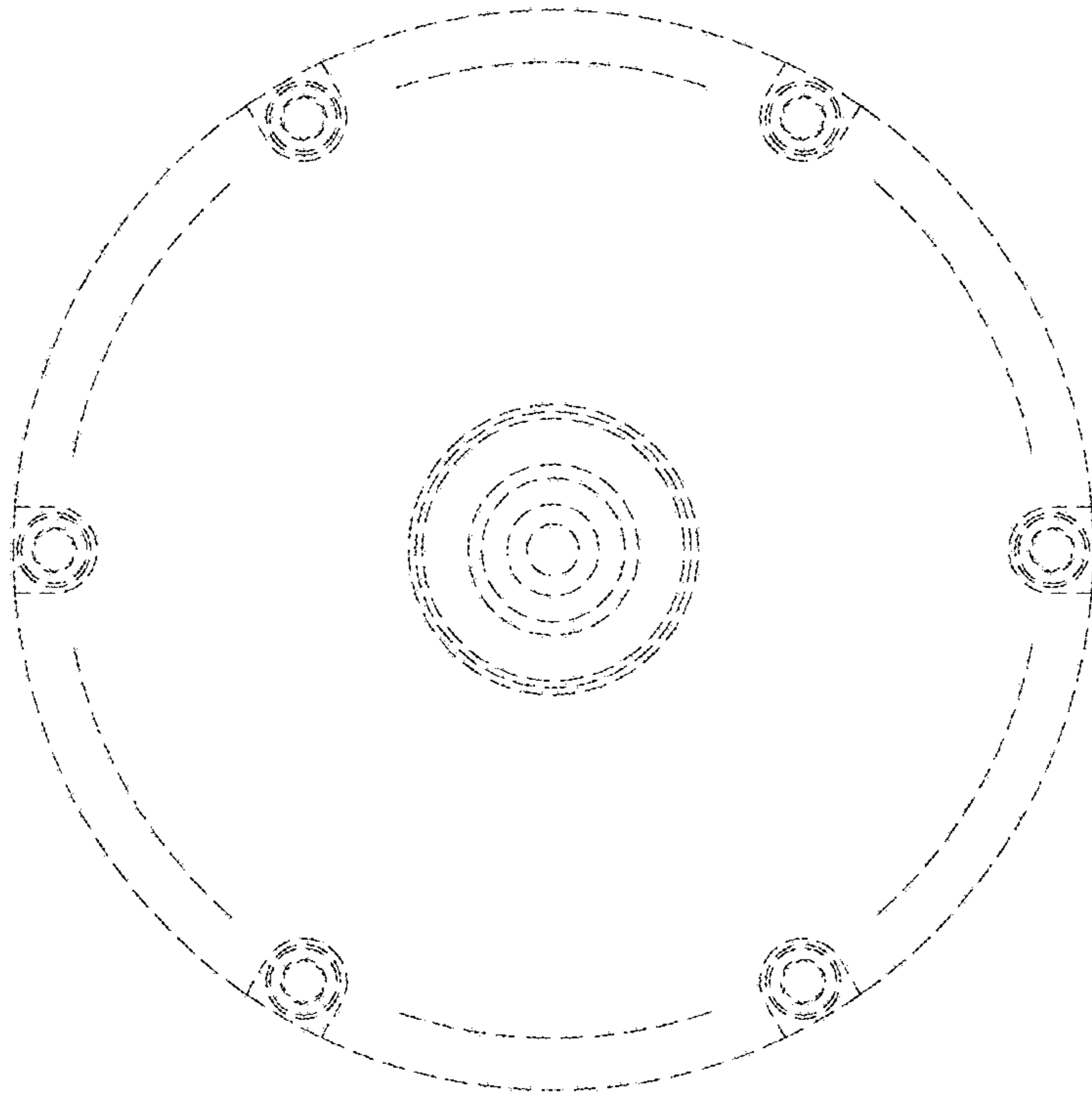


Fig. 2

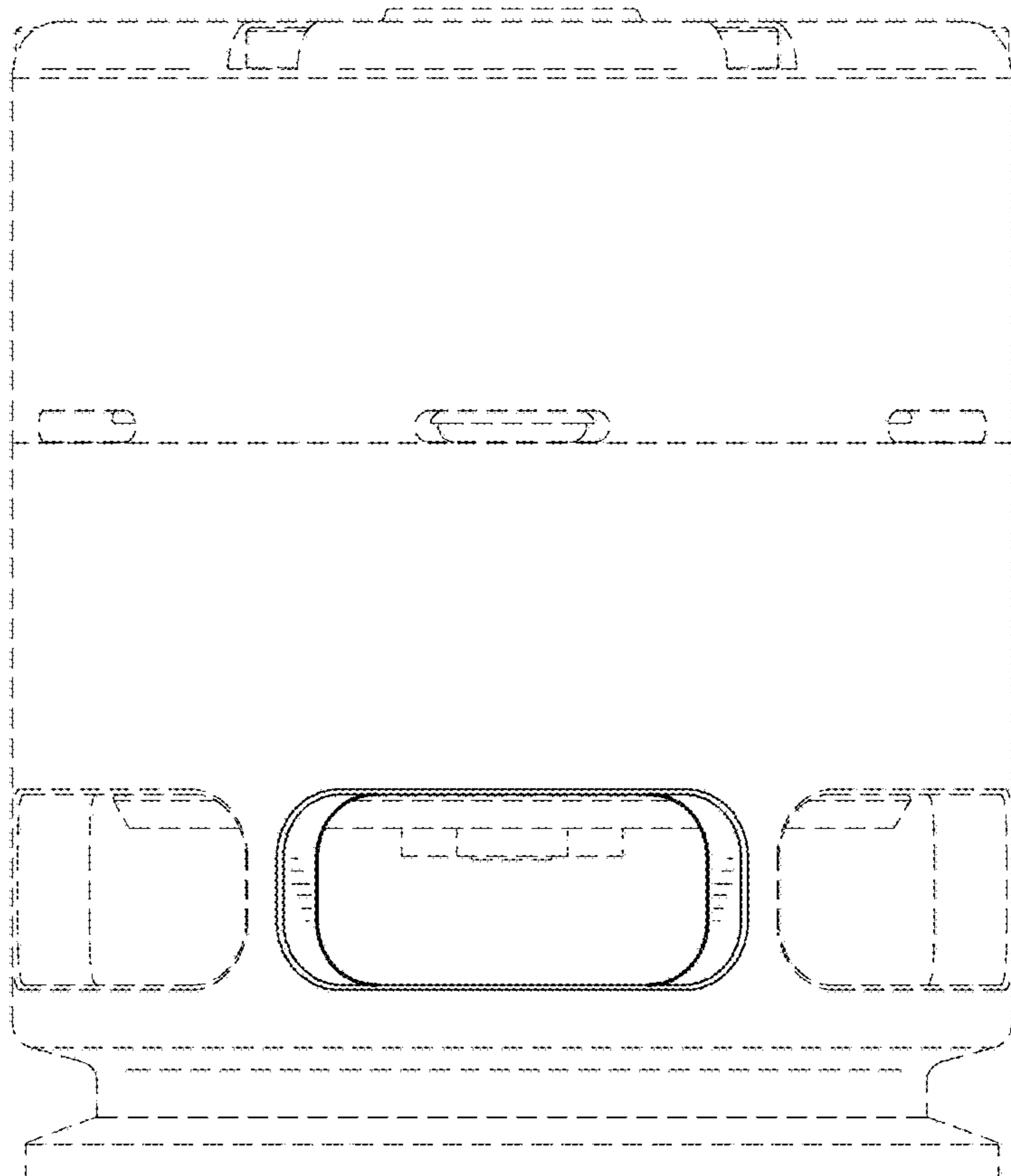


Fig. 3

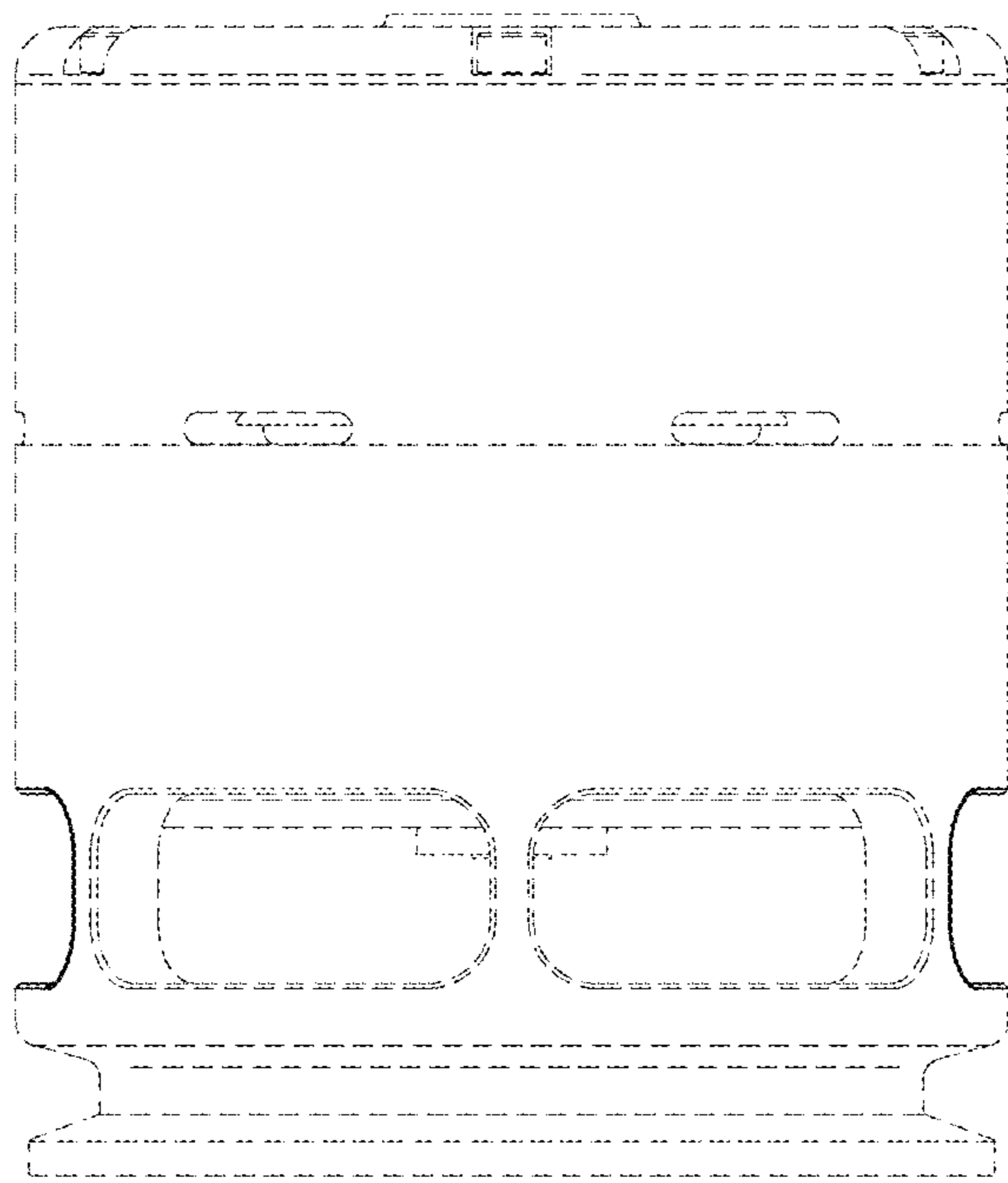


Fig. 4

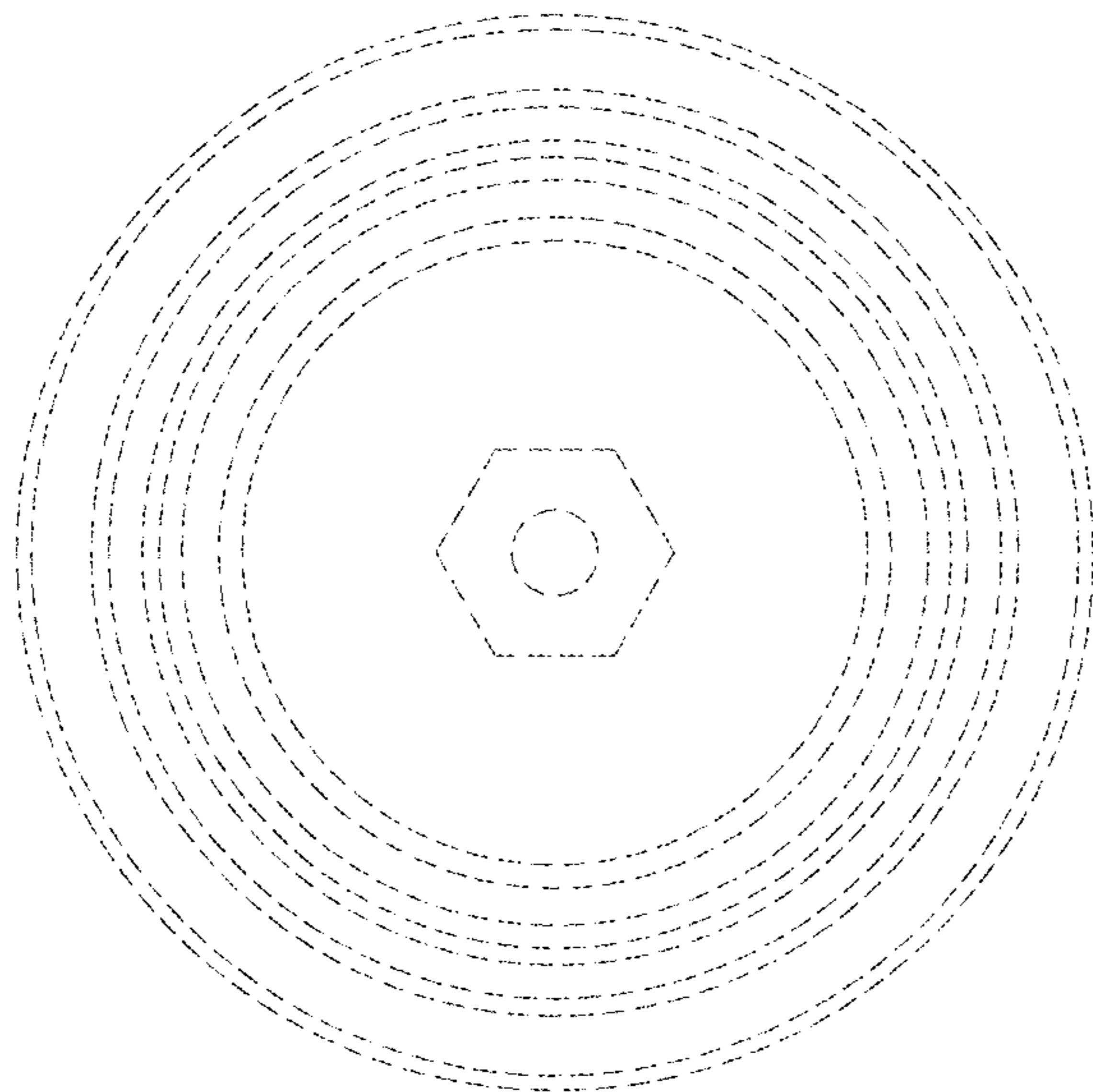


Fig. 5