



US00D808433S

(12) **United States Design Patent** (10) **Patent No.:** **US D808,433 S**
Ellison et al. (45) **Date of Patent:** **** Jan. 23, 2018**

(54) **MOTORCYCLE IGNITION COIL**
(71) Applicant: **Accel Performance Group LLC**,
Bowling Green, KY (US)
(72) Inventors: **Jason Ellison**, Elyria, OH (US);
Michael T. Gretchko, Avon, OH (US)
(73) Assignee: **Accel Performance Group LLC**,
Cleveland, OH (US)

RE43,920 E 1/2013 Giddens
D701,535 S 3/2014 Ellison et al.
9,293,249 B2 * 3/2016 Ellison F02P 13/00
D776,165 S 1/2017 Ellison et al.
2009/0194083 A1 8/2009 Boerjes
2010/0227715 A1 9/2010 King
(Continued)

(**) Term: **15 Years**
(21) Appl. No.: **29/562,289**
(22) Filed: **Apr. 25, 2016**

FOREIGN PATENT DOCUMENTS

CN 102061974 A 5/2011
GB 708559 A 5/1954
(Continued)

OTHER PUBLICATIONS

International Search Report and Written Opinion for International Application No. PCT/US2014/014205, dated May 27, 2014, 11 pages.

(Continued)

Primary Examiner — T. Chase Nelson
Assistant Examiner — Ania Aman
(74) *Attorney, Agent, or Firm* — Middleton Reutlinger

Related U.S. Application Data

(62) Division of application No. 29/493,752, filed on Jun. 12, 2014, now Pat. No. Des. 776,165.
(51) **LOC (11) Cl.** **15-01**
(52) **U.S. Cl.**
USPC **D15/5**
(58) **Field of Classification Search**
USPC D15/1-5; D12/114; 123/634
CPC F02P 3/053; F02P 15/001; F02P 13/00;
F02P 3/02; H01F 38/12; H01F 41/04;
F02B 61/02; F02B 75/22; H01T 21/00
See application file for complete search history.

(57) **CLAIM**

The ornamental design for a motorcycle ignition coil, as shown and described.

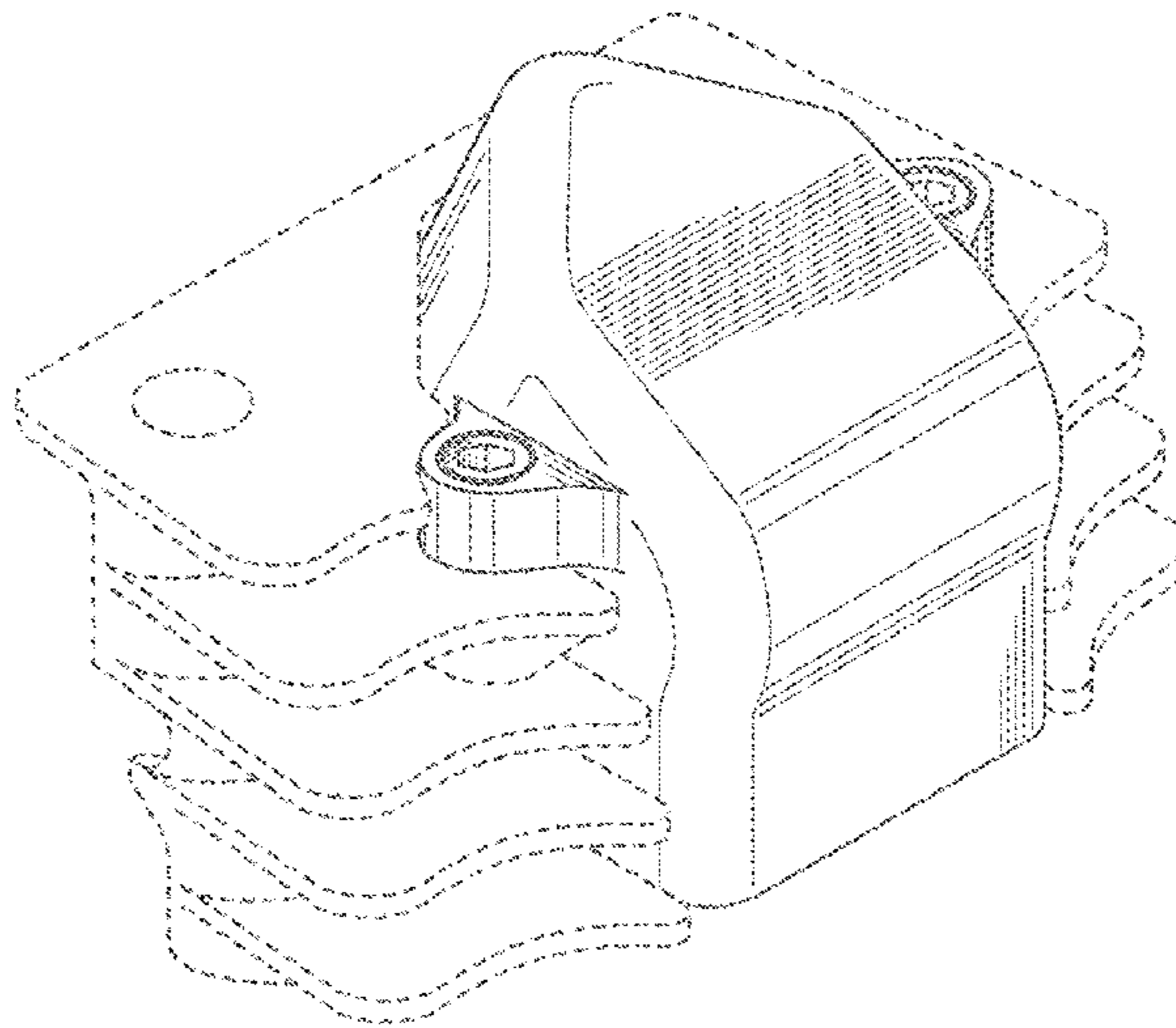
DESCRIPTION

FIG. 1 is a front perspective view of the motorcycle ignition coil;
FIG. 2 is a front elevation view thereof;
FIG. 3 is a left side elevation view thereof;
FIG. 4 is a rear elevation view thereof;
FIG. 5 is a right side elevation view thereof;
FIG. 6 is a top plan view thereof; and,
FIG. 7 is a bottom plan view thereof.
In the drawings, the broken lines depict environment and form no part of the claim.

(56) **References Cited**
U.S. PATENT DOCUMENTS

4,706,639 A 11/1987 Boyer et al.
4,903,675 A 2/1990 Huntzinger et al.
D342,076 S 12/1993 Heismann
7,117,860 B1 10/2006 Chittum
D549,241 S 8/2007 Giddens
7,441,553 B2 10/2008 Satoh
7,681,563 B2 3/2010 Idogawa et al.
7,789,078 B2 9/2010 Anzo et al.
7,849,843 B2 12/2010 Kojima et al.

1 Claim, 3 Drawing Sheets



(56)

References Cited

U.S. PATENT DOCUMENTS

2012/0017881 A1 1/2012 Kataoka et al.
2012/0103313 A1 5/2012 Idogawa et al.
2014/0209077 A1 7/2014 Ellison et al.
2015/0311681 A1 10/2015 Ellison

FOREIGN PATENT DOCUMENTS

GB 734945 A 8/1955
GB 821015 A 9/1959
JP 2000045860 A 2/2000
WO 20144121101 8/2014

OTHER PUBLICATIONS

Ducati "Multistrada 1200 ABS—Model Year 2010—Spare parts catalogue No. 915.1.301.1A," retrieved on Nov. 12, 2014 from http://www.ducati.at/uploads/media/MTS1200SABS_Eu_2010.pdf, pp. 78 and 134; Figures 18b(a) and 031, 2 pages.
Transmittal Letter of Related Cases dated Mar. 3, 2017.
Canadian Patent Application No. 2,899,870 as filed on Jan. 31, 2014.
European Patent Application No. 14 708 976.7 as filed on Jan. 31, 2014.
Design U.S. Appl. No. 29/562,285, filed Apr. 25, 2016.
Design U.S. Appl. No. 29/562,292, filed Apr. 25, 2016.
Design U.S. Appl. No. 29/562,295, filed Apr. 25, 2016.
TheGrabulator, "How-To: 600RR coil on plug conversion", Mar. 3, 2012, <http://www.rc51forums.com/forums/60-how-articles/6482-how-600rr-coil-plug-conversion.html>.

* cited by examiner

Fig. 1

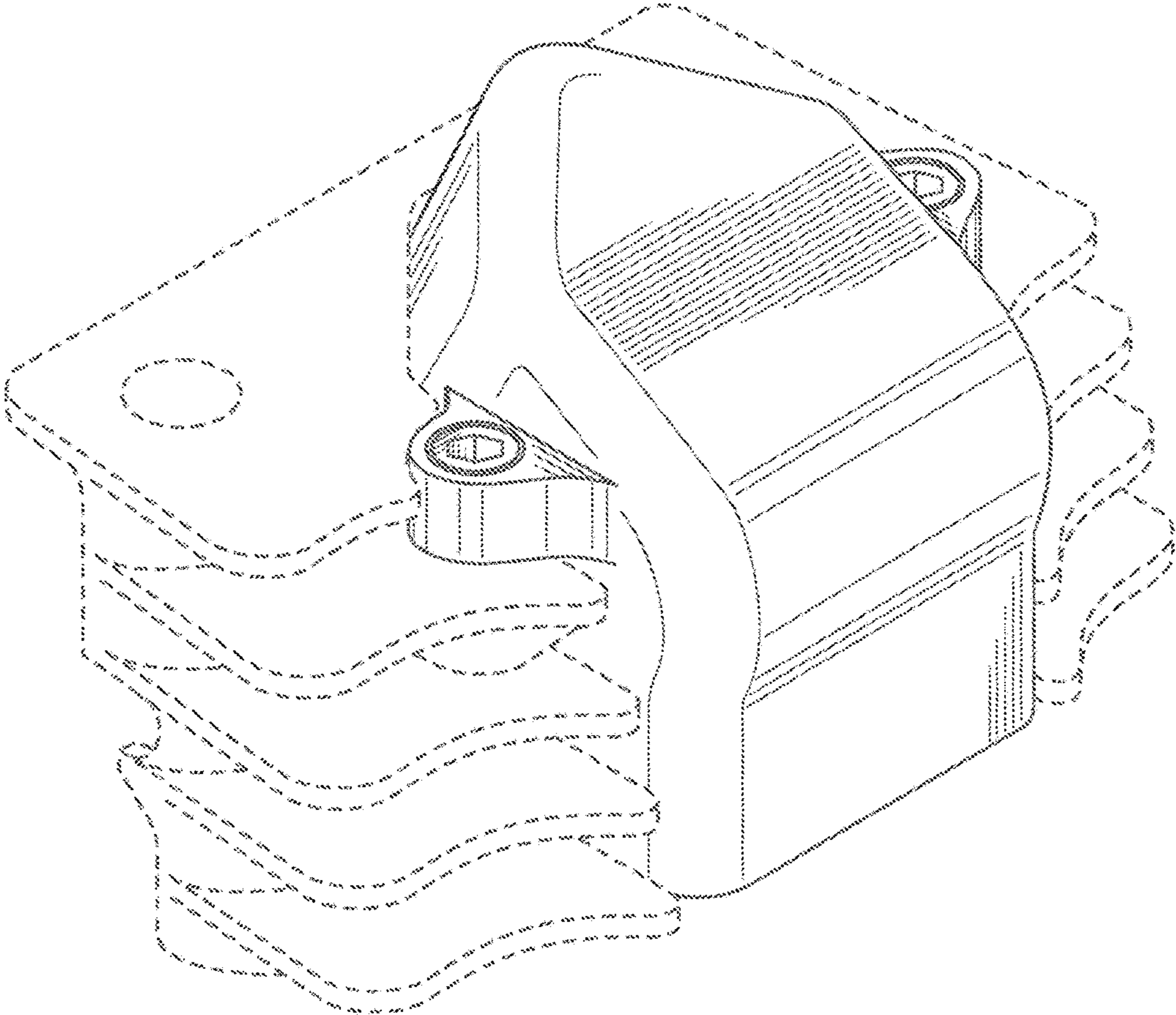


Fig. 2

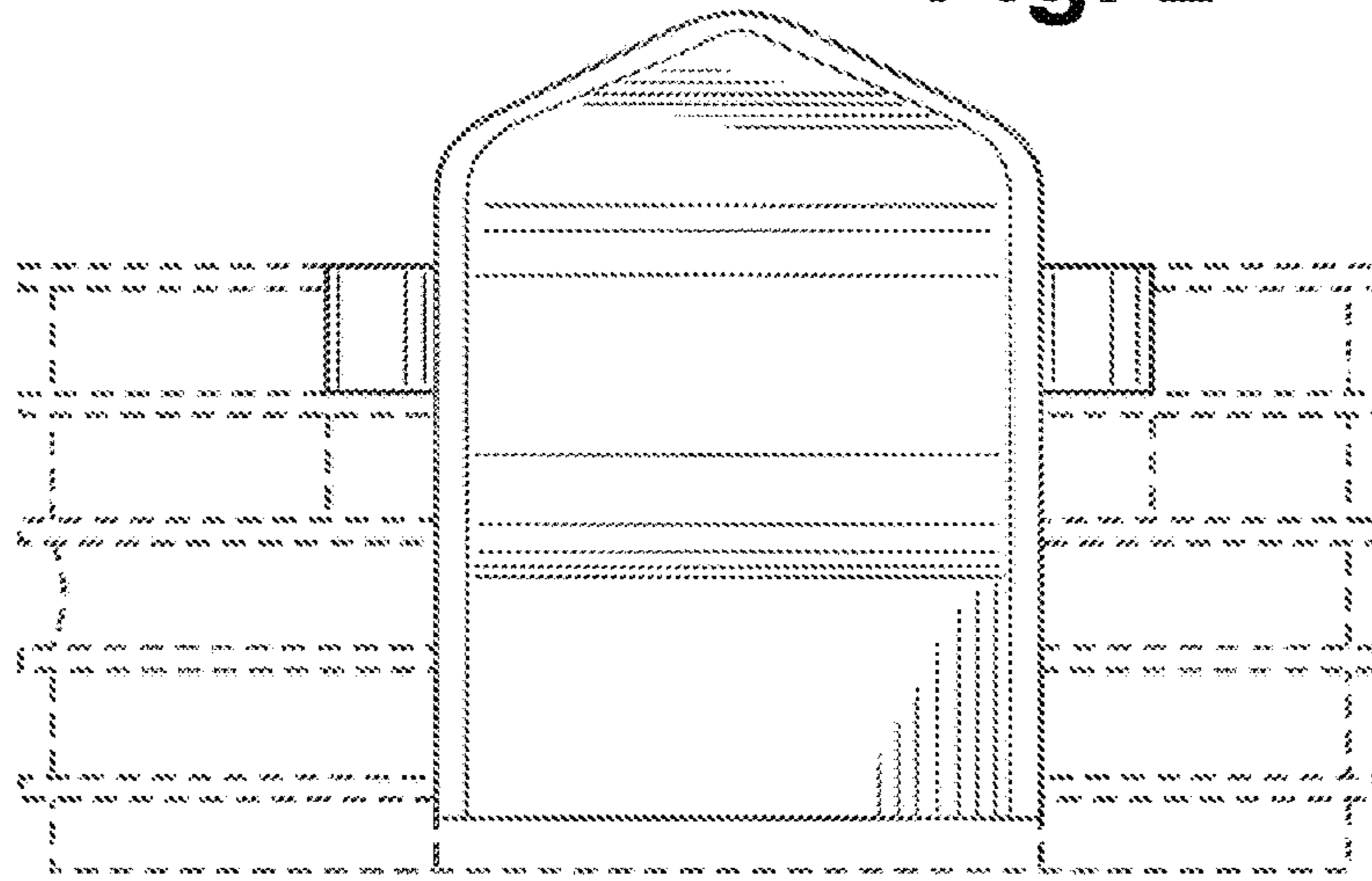


Fig. 3

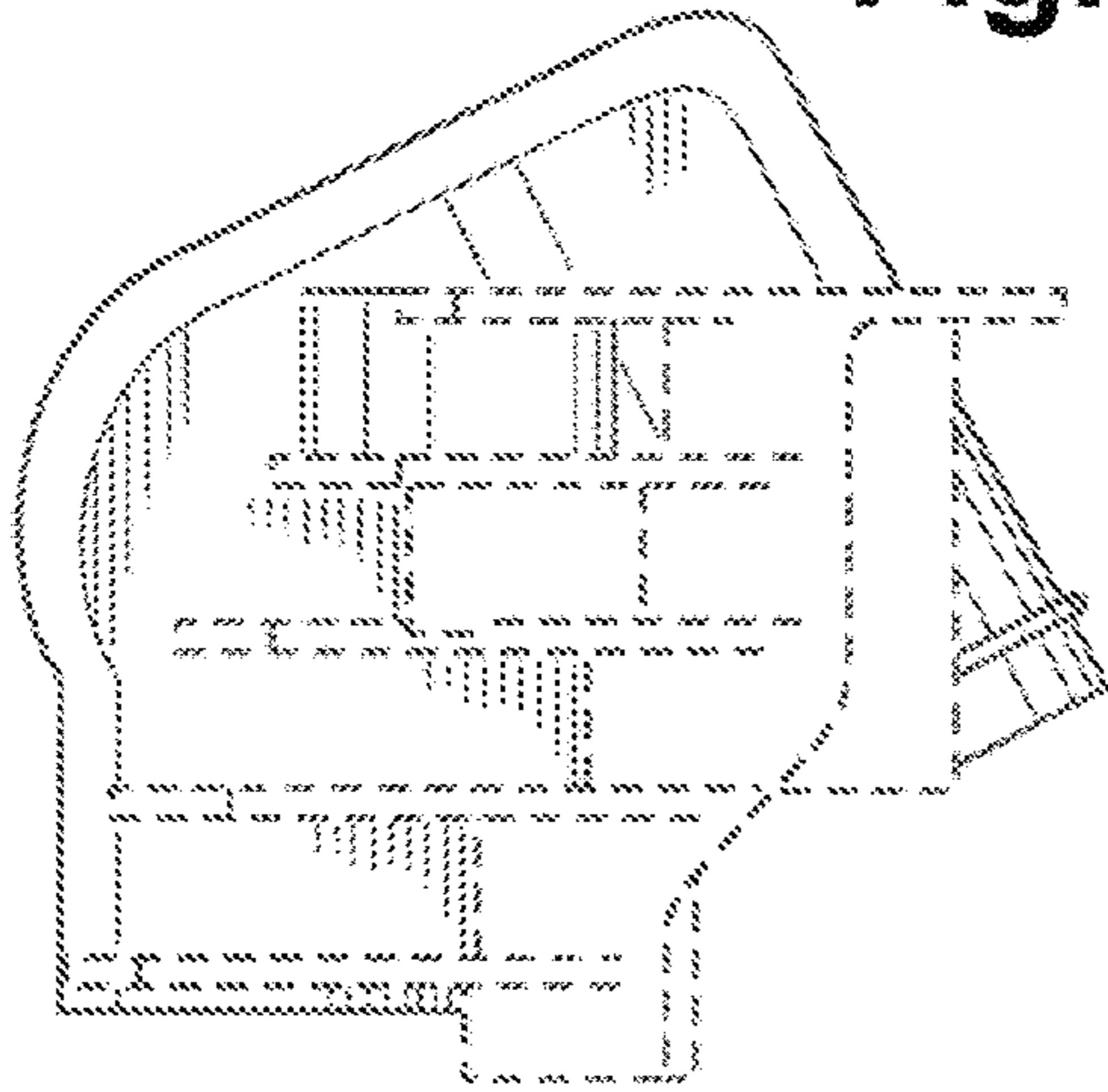


Fig. 4

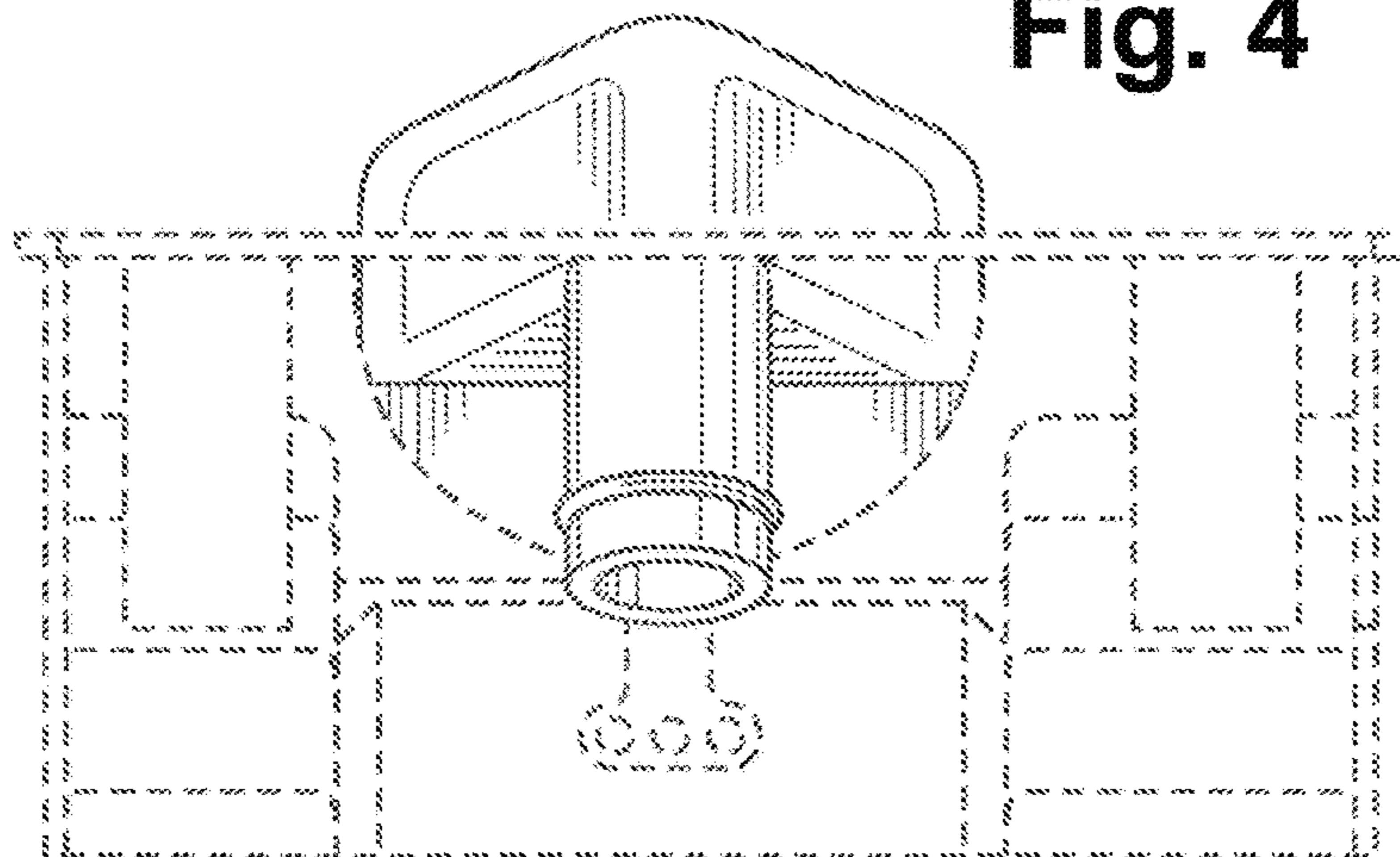


Fig. 5

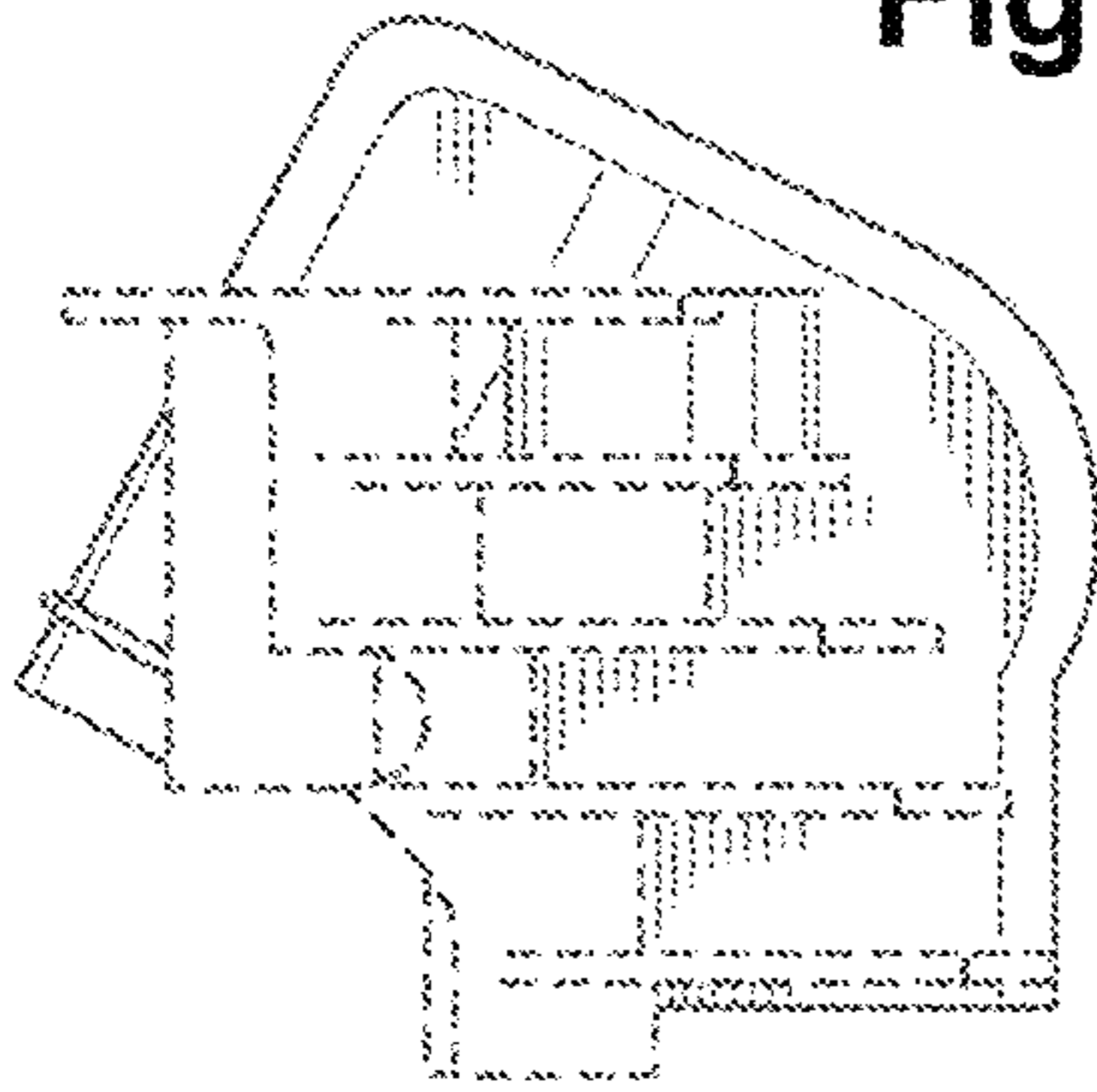


Fig. 6

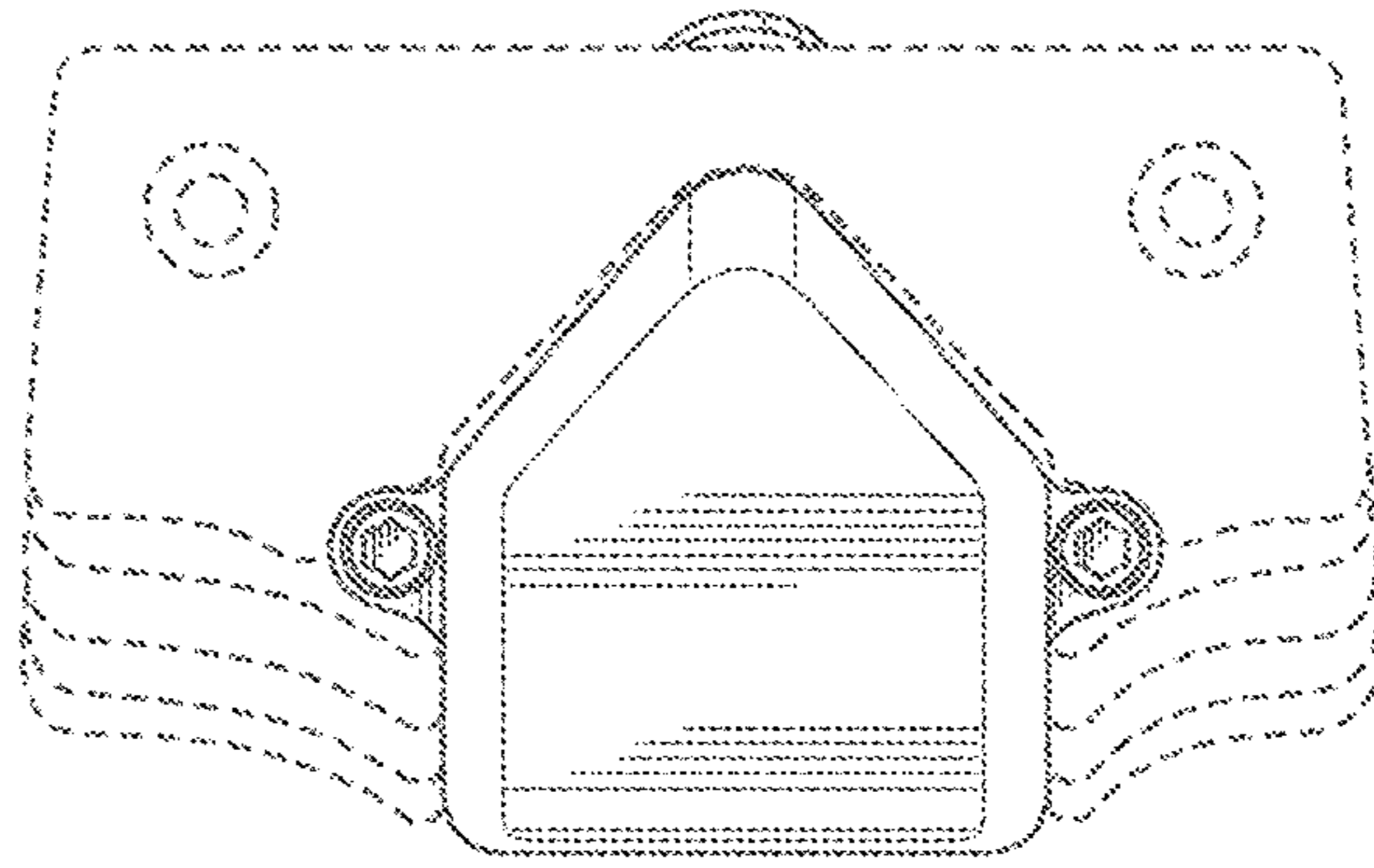


Fig. 7

