



US00D808431S

(12) **United States Design Patent**
Tseng

(10) **Patent No.:** **US D808,431 S**
(45) **Date of Patent:** **** Jan. 23, 2018**

- (54) **PUMP NOZZLE**
- (71) Applicant: **CHUAN JIING ENTERPRISE CO., LTD.**, Taichung (TW)
- (72) Inventor: **Tien-Tsai Tseng**, Taichung (TW)
- (73) Assignee: **CHUAN JIING ENTERPRISE CO., LTD.**, Taichuang (TW)
- (**) Term: **14 Years**
- (21) Appl. No.: **29/523,580**
- (22) Filed: **Apr. 10, 2015**
- (51) **LOC (11) Cl.** **15-01**
- (52) **U.S. Cl.**
USPC **D15/5**; D23/213; D23/266
- (58) **Field of Classification Search**
USPC D15/1, 2, 3, 4, 5, 6, 150, 151, 152, 9.1;
D23/321, 213, 200, 232, 266; D7/700,
D7/300.2, 398; D24/121-123; D9/446,
D9/447, 449
CPC Y10S 138/08; B67D 7/00; B67D 7/007;
B67D 7/02; B67D 7/04
See application file for complete search history.

- (56) **References Cited**
U.S. PATENT DOCUMENTS
D209,871 S * 1/1968 Grebow D9/447
3,929,165 A * 12/1975 Diebolt F16L 11/111
138/121
4,340,089 A * 7/1982 Freiherr von
Arnim F01N 13/1816
138/121
4,426,027 A * 1/1984 Maynard, Jr. B65D 47/063
222/529
4,593,690 A * 6/1986 Sheridan A61M 16/04
128/204.18
4,600,125 A * 7/1986 Maynard, Jr. B67B 7/28
141/330

- D298,015 S * 10/1988 Gendron D9/447
- 4,832,238 A * 5/1989 Taylor B65D 25/48
141/337
- 4,921,147 A * 5/1990 Poirier B65D 25/44
138/121
- D310,172 S * 8/1990 Parker D7/700
- D317,970 S * 7/1991 Yen D23/200
- 5,311,753 A * 5/1994 Kanao D06F 39/08
138/103
- 5,350,091 A * 9/1994 Leete B65D 25/385
141/337
- 5,551,583 A * 9/1996 Sachathamakul A61J 11/04
215/11.1
- 5,722,570 A * 3/1998 Sultzer, III B65D 47/063
222/529
- 6,398,266 B1 * 6/2002 Crump F16L 11/15
138/121
- D486,909 S * 2/2004 Cise D24/110

(Continued)

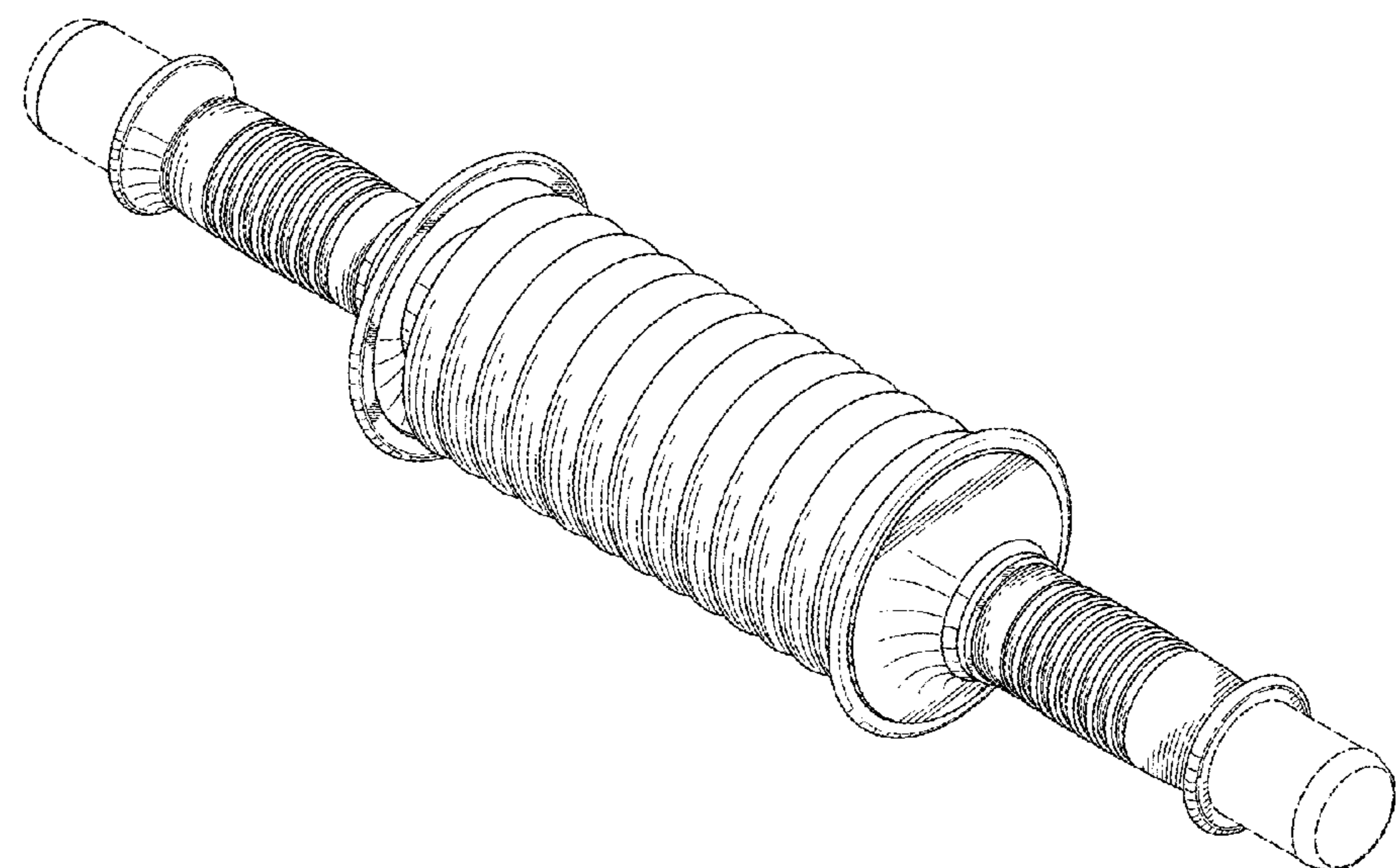
Primary Examiner — T. Chase Nelson
Assistant Examiner — Ania Aman

(57) **CLAIM**
I claim the ornamental design for the pump nozzle, as shown and described.

DESCRIPTION

FIG. 1 is a perspective view of the pump nozzle showing my design;
FIG. 2 is a front view of the pump nozzle shown in FIG. 1, with a rear view being a mirror image thereof;
FIG. 3 is a left side view of the pump nozzle shown in FIG. 1, with a right side view being a mirror image thereof; and
FIG. 4 is a top view of the pump nozzle shown in FIG. 1, with a bottom view being a mirror image thereof; and,
FIG. 5 is a top view of the pump nozzle in another position than shown in FIG. 4.
The broken lines shown in the drawings are for the purpose of illustrating unclaimed portions of the pump nozzle and form no part of the claimed design.

1 Claim, 5 Drawing Sheets



(56)

References Cited

U.S. PATENT DOCUMENTS

7,044,342 B2 * 5/2006 Carlton B67D 7/005
222/481.5
D667,530 S * 9/2012 Wyne D23/213
D698,415 S * 1/2014 Wyne D23/213
D766,719 S * 9/2016 Magley D9/442
D767,737 S * 9/2016 Kuykendall D23/266
9,434,601 B2 * 9/2016 Baker B67D 7/42
D776,532 S * 1/2017 Magley D9/442
D776,534 S * 1/2017 Stratton D7/300.2

* cited by examiner

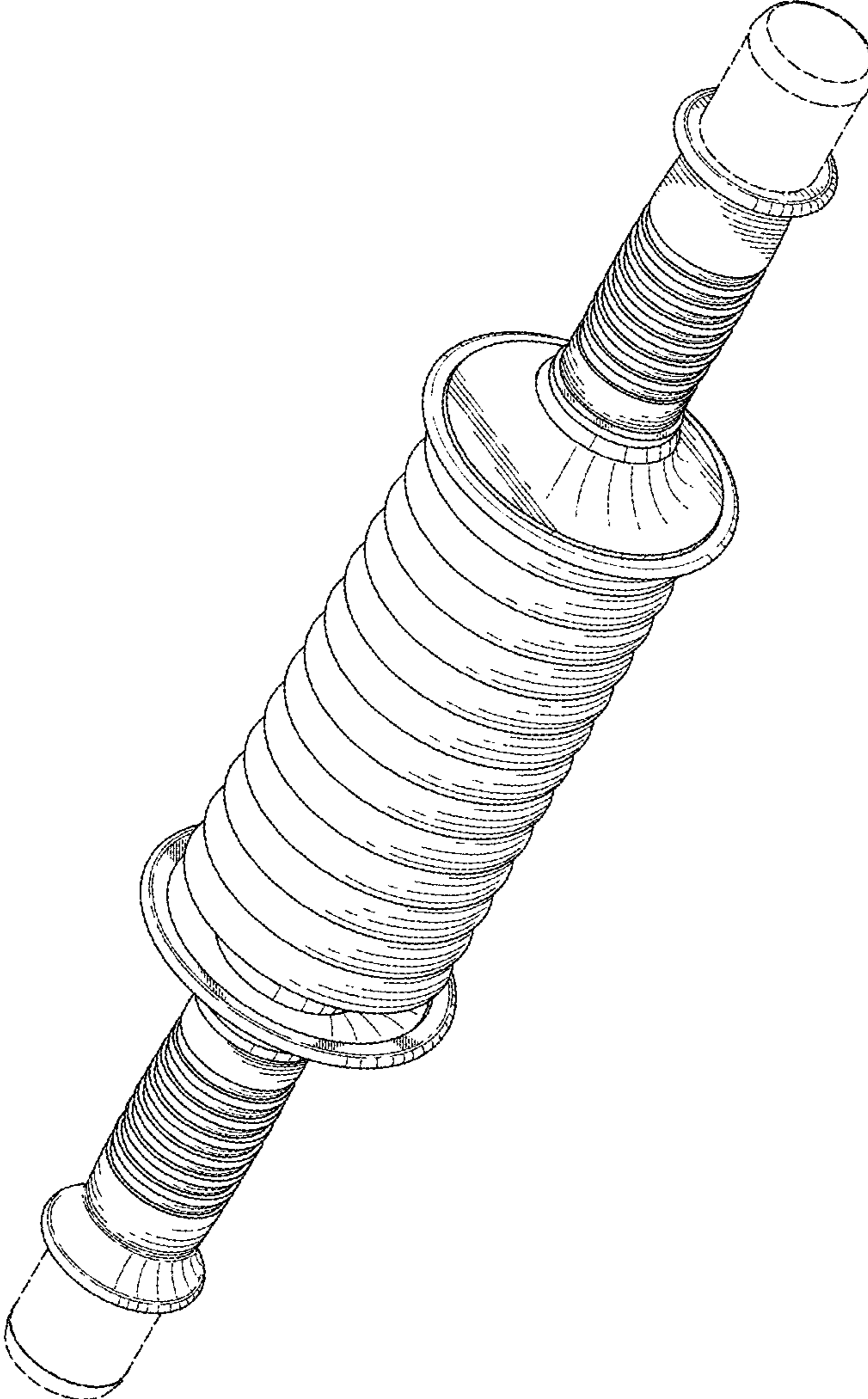


FIG.1

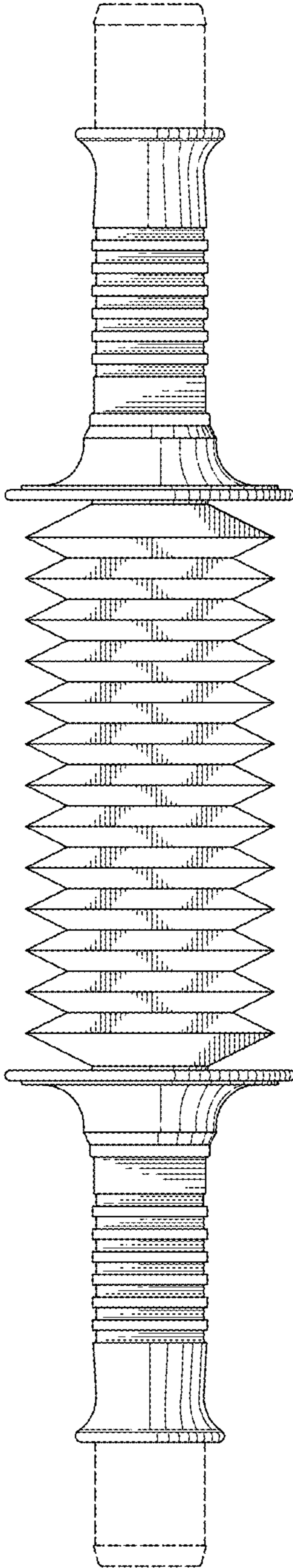


FIG.2

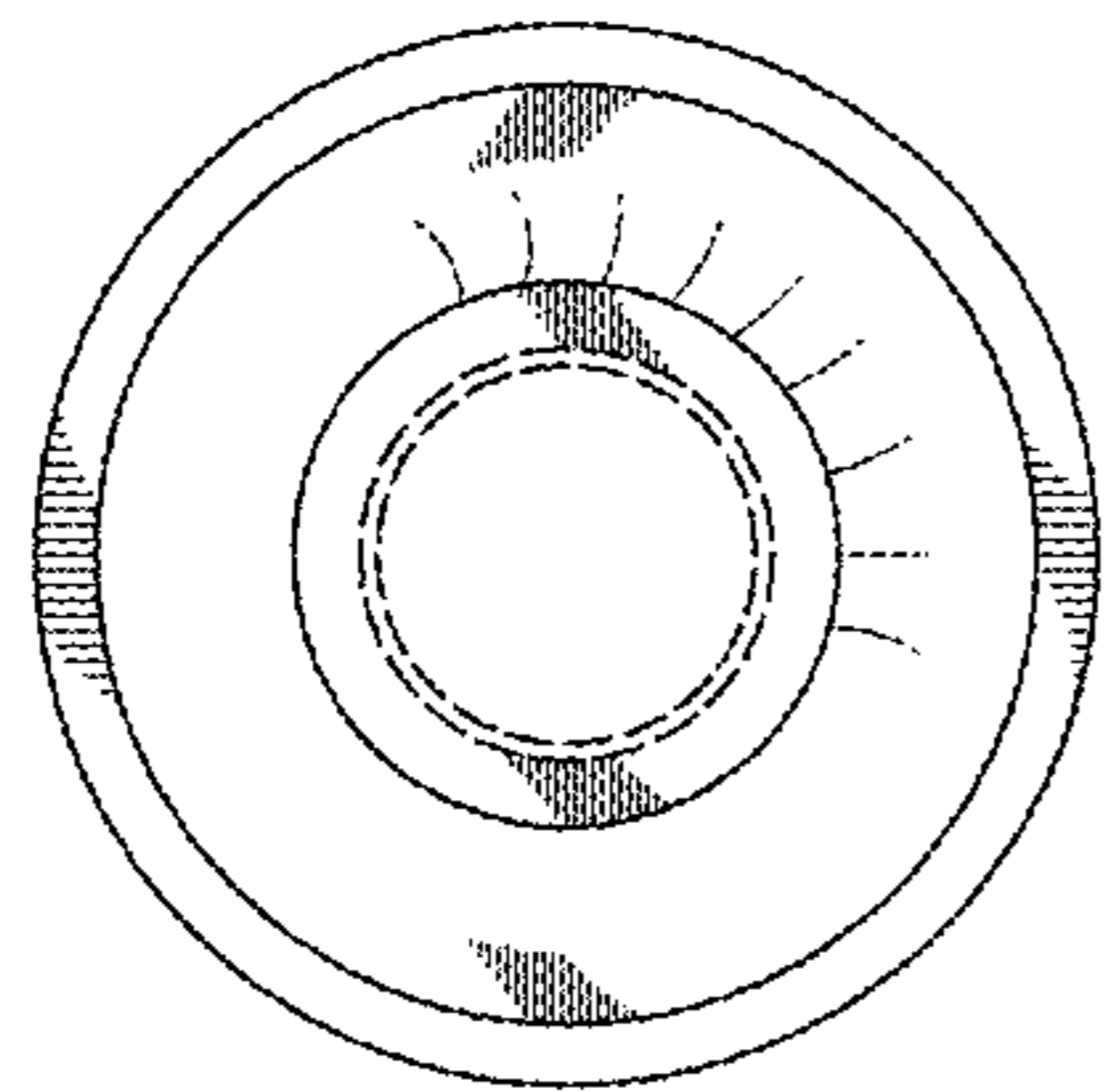


FIG.3

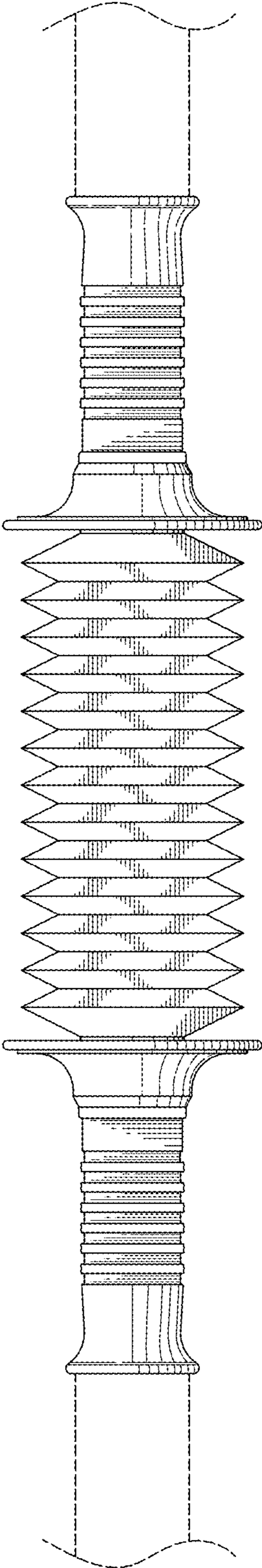


FIG.4

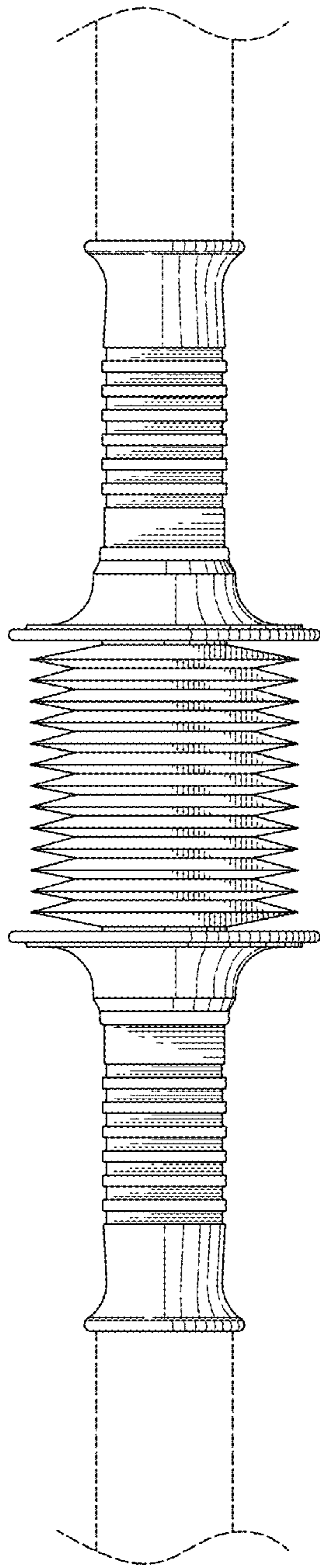


FIG.5