



US00D808430S

(12) **United States Design Patent**
Wang

(10) **Patent No.:** **US D808,430 S**
(45) **Date of Patent:** **** Jan. 23, 2018**

- (54) **CAR WIRELESS MP3 PLAYER**
- (71) Applicant: **SHENZHEN GXY ELECTRONIC CO., LTD.**, Shenzhen, Guangdong (CN)
- (72) Inventor: **Weian Wang**, Shenzhen (CN)
- (73) Assignee: **SHENZHEN GXY ELECTRONIC CO., LTD.**, Shenzhen (CN)

5,568,549 A * 10/1996 Wang B60R 11/0241
379/426
D423,821 S * 5/2000 Crump D14/299
7,020,663 B2 * 3/2006 Hay G06Q 30/06
434/317
D523,840 S * 6/2006 Heath D14/188
D558,769 S * 1/2008 Krieger D13/108
7,634,228 B2 * 12/2009 White G06Q 30/0267
455/3.05
D616,464 S * 5/2010 Park D14/203.1
(Continued)

(**) Term: **15 Years**

Primary Examiner — Prabhakar Deshmukh

(21) Appl. No.: **29/588,368**

(74) *Attorney, Agent, or Firm* — Oliff PLC

(22) Filed: **Dec. 20, 2016**

(57) **CLAIM**

(51) **LOC (11) Cl.** **14-03**

The ornamental design for a car wireless MP3 player, as shown and described.

(52) **U.S. Cl.**

DESCRIPTION

USPC **D14/496**; D14/203.3

(58) **Field of Classification Search**

USPC D14/496, 401, 435, 474, 483, 217, 137,
D14/138, 160, 168, 356, 203.1–203.8,
D14/507; 345/156, 169, 173–179, 905;
715/727–729, 864; 710/1, 5, 8; 713/1,
713/600; 455/1.1, 1.7, 73, 344–347, 93,
455/95, 3.01–3.06, 550.1, 573.1, 556.1,
455/414.1, 418, 419, 420; 370/342–344;
369/1, 2, 6–12; 463/43–47; 273/148 B;
709/217, 219, 223; 723/135, 136
CPC A63F 9/22; A63F 9/24; A63F 13/00; A63F
13/12; G09G 5/00; G09G 5/12; G06Q
30/0267; G06Q 30/0269; G11B 31/02;
H04M 1/6091; H04M 1/6083
See application file for complete search history.

FIG. 1 is a front, top, right-side perspective view of the car wireless y player;
FIG. 2 is a rear elevational view thereof; and
FIG. 3 is a top plan view thereof;
FIG. 4 is a right-side elevational view thereof, the left-side elevational view (not provided) being a mirror image thereof;
FIG. 5 is a front elevational view thereof;
FIG. 6 is a bottom plan view thereof.
FIG. 7 is a rear, top, right-side perspective view of a second embodiment of the car wireless MP3 player, shown in an alternate bent configuration;
FIG. 8 is a rear elevational view thereof; and
FIG. 9 is a top plan view thereof;
FIG. 10 is a right-side elevational view thereof, the left-side elevational view (not provided) being a mirror image thereof;
FIG. 11 is a front elevational view thereof; and,
FIG. 12 is a bottom plan view thereof.

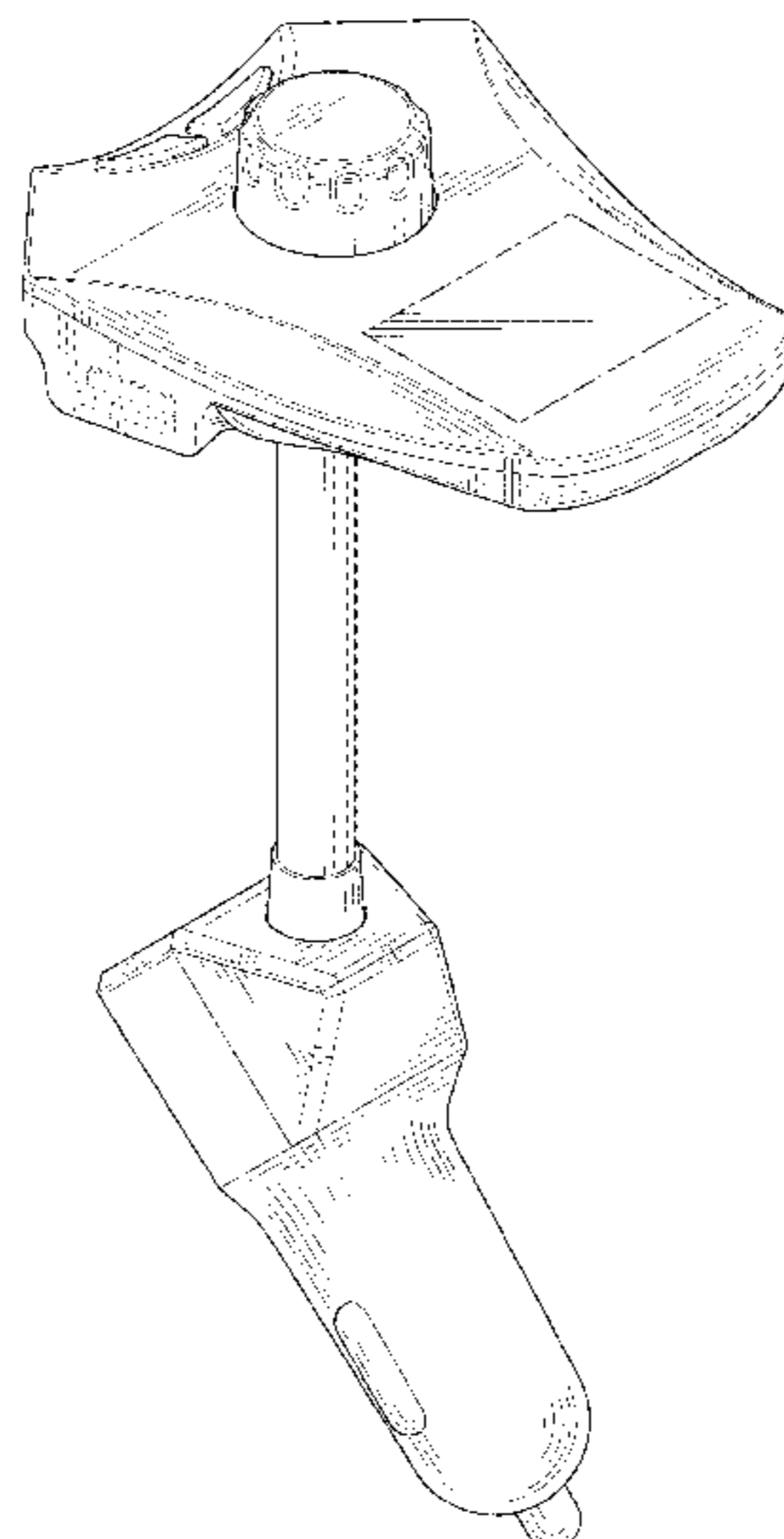
The broken lines depict unclaimed parts of the MP3 player, and thus form no part of the claimed design.

(56) **References Cited**

U.S. PATENT DOCUMENTS

- 4,441,405 A * 4/1984 Takeuchi B60H 1/0075
236/94
- 5,477,510 A * 12/1995 Ukita G06F 15/0283
369/18

1 Claim, 12 Drawing Sheets



(56)

References Cited

U.S. PATENT DOCUMENTS

8,155,342 B2 * 4/2012 Marlowe G11B 19/025
381/86
9,444,868 B2 * 9/2016 White H04L 65/602

* cited by examiner

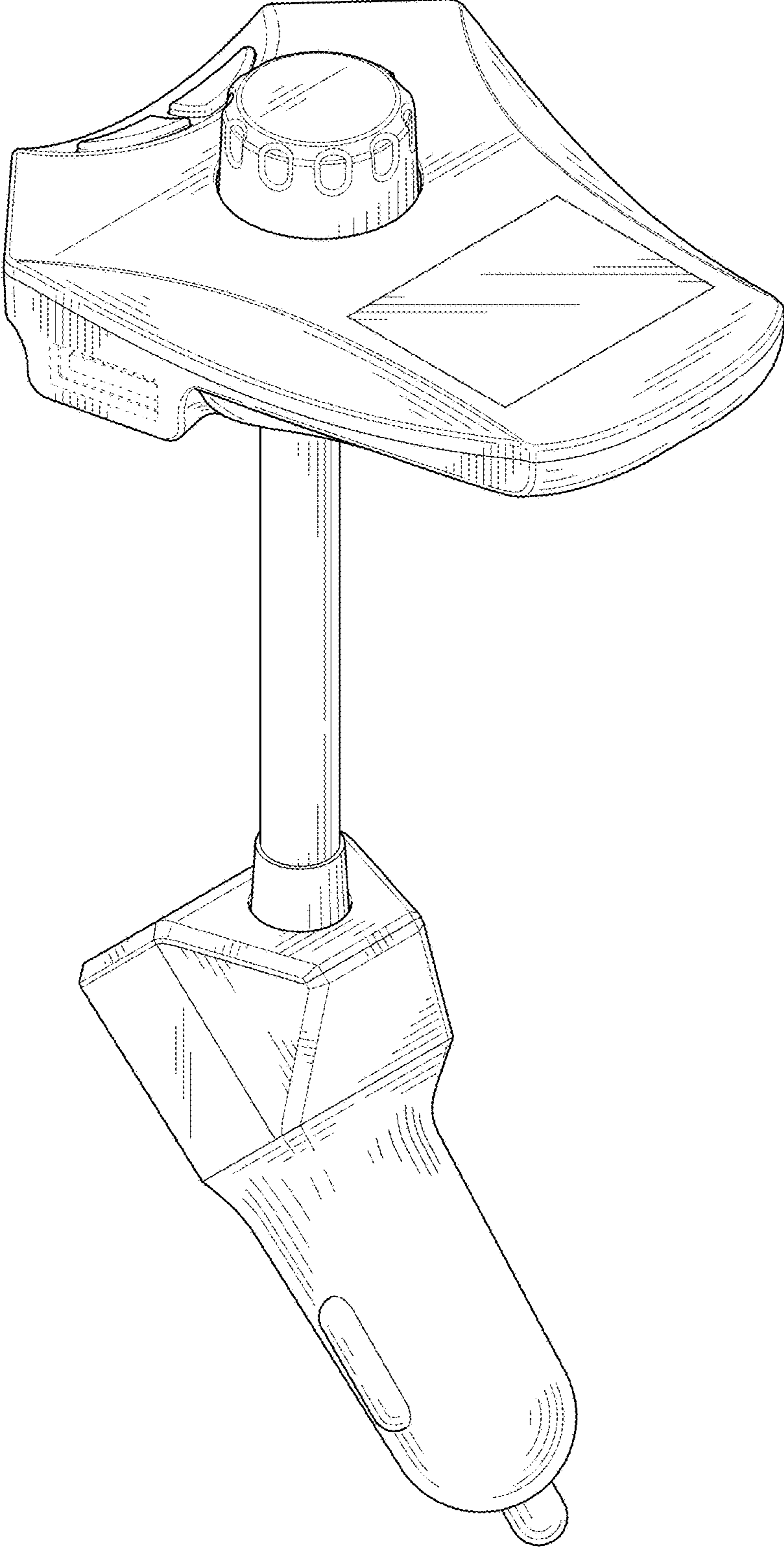


FIG. 1

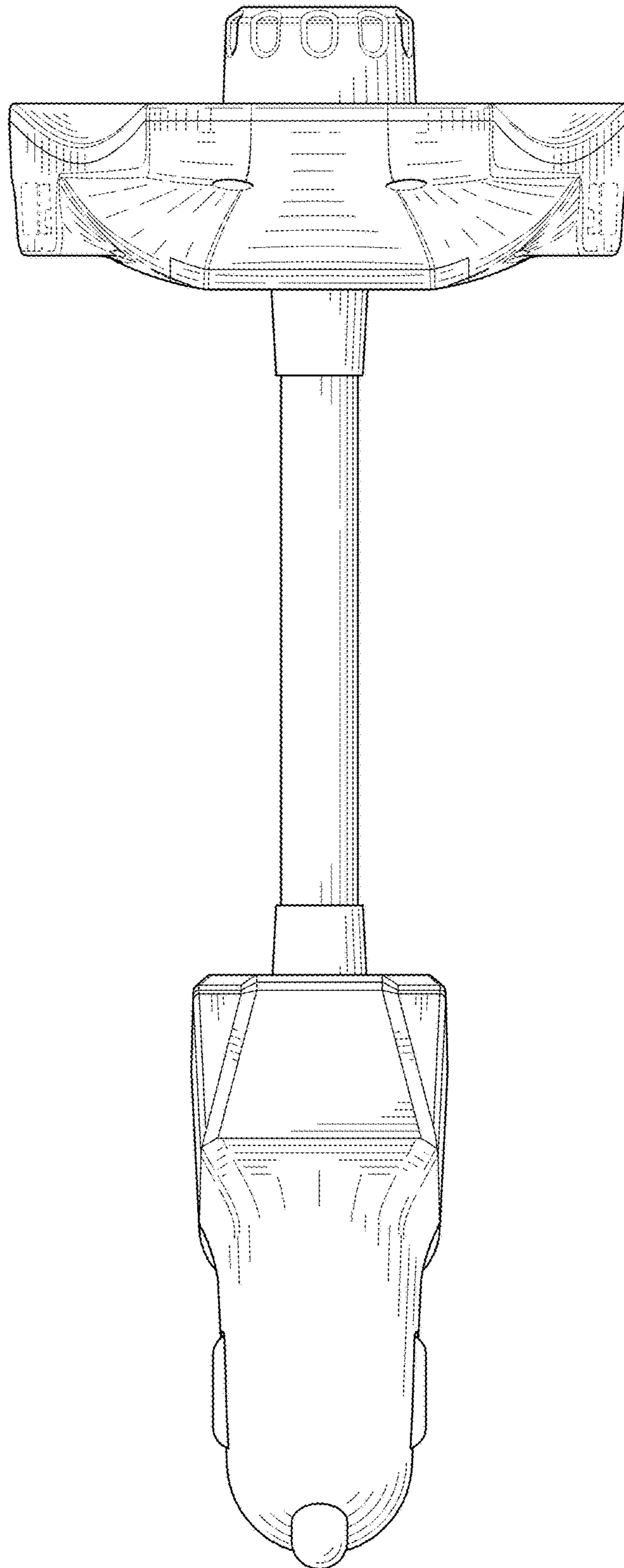


FIG. 2

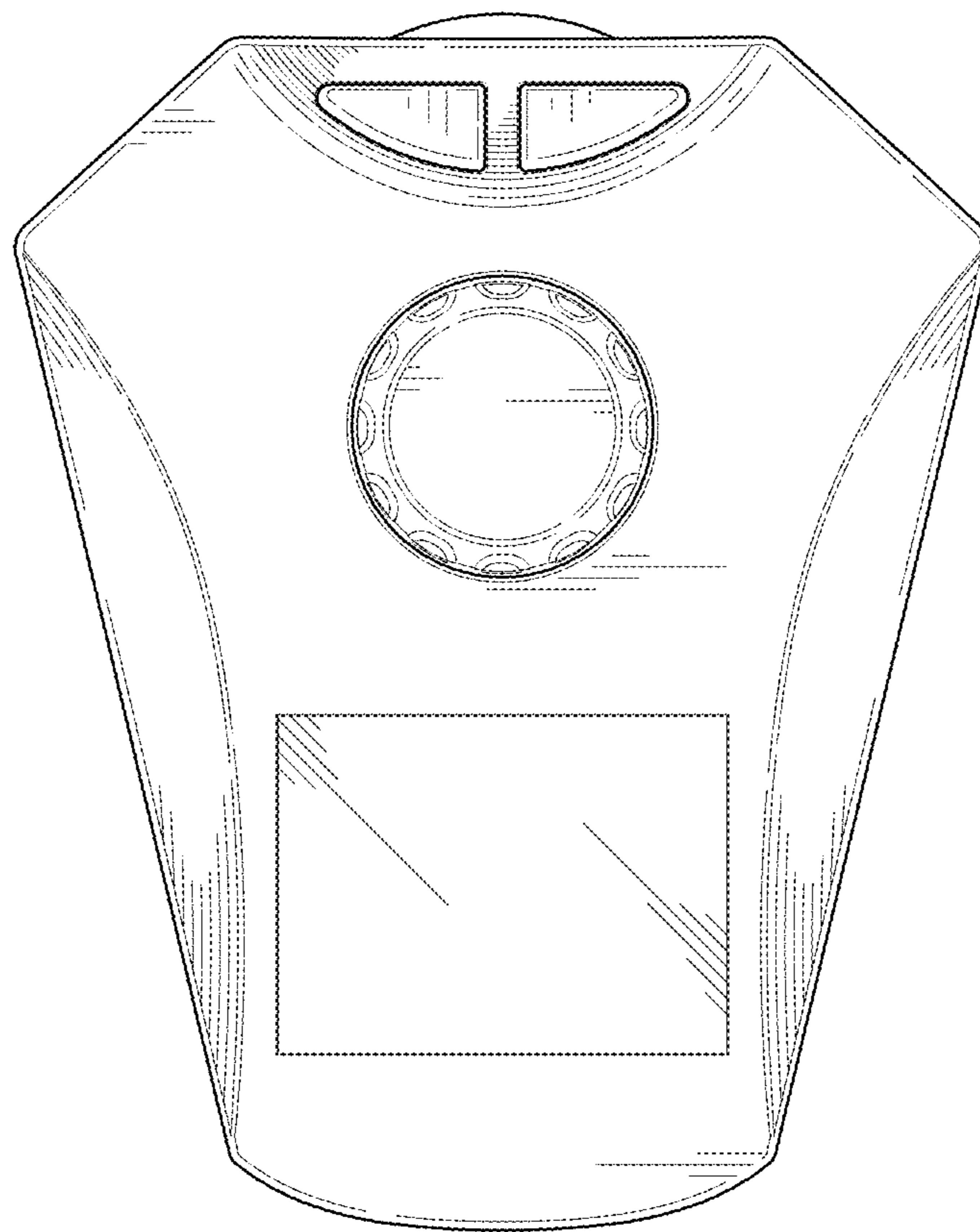


FIG. 3

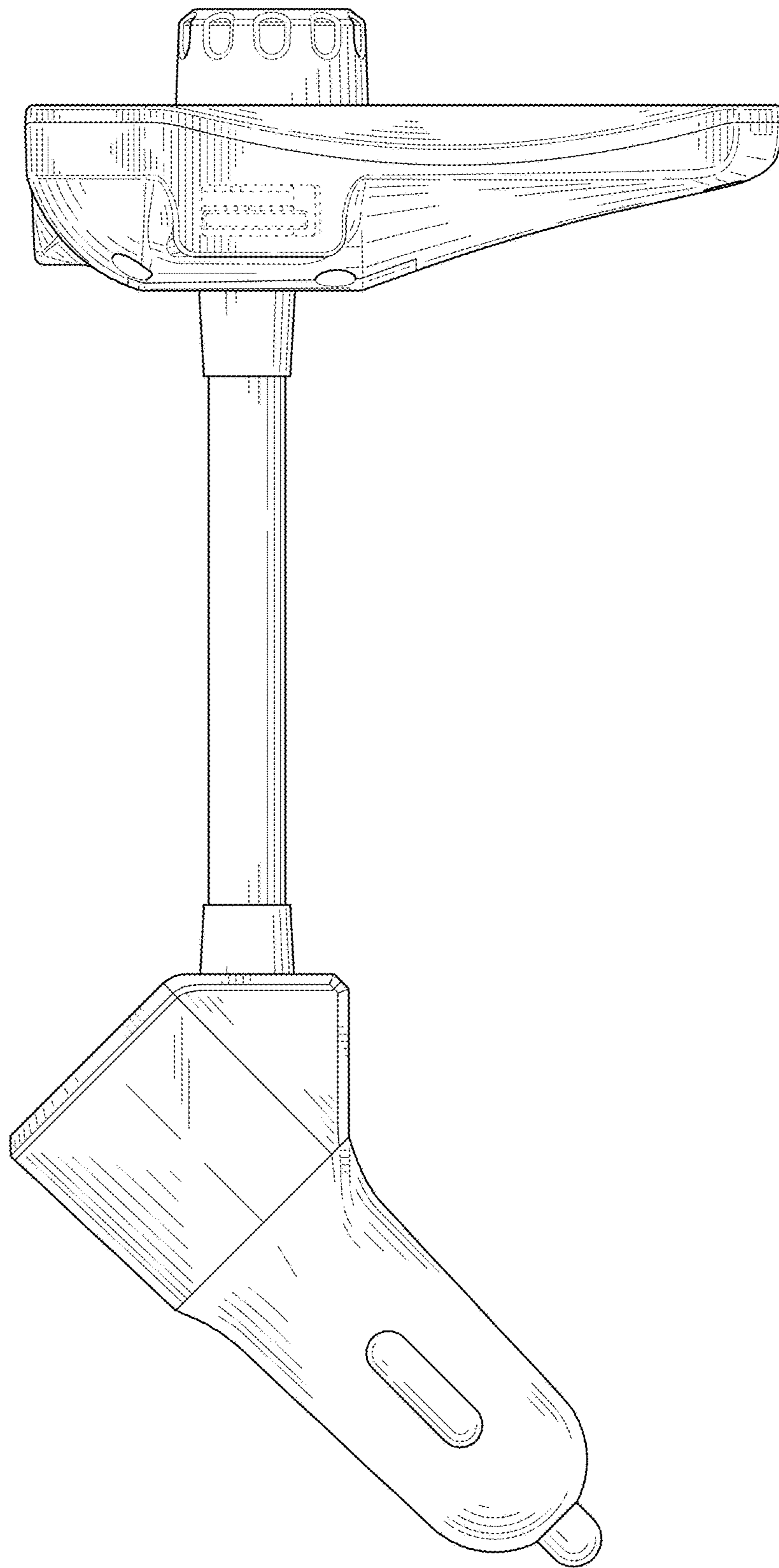


FIG. 4

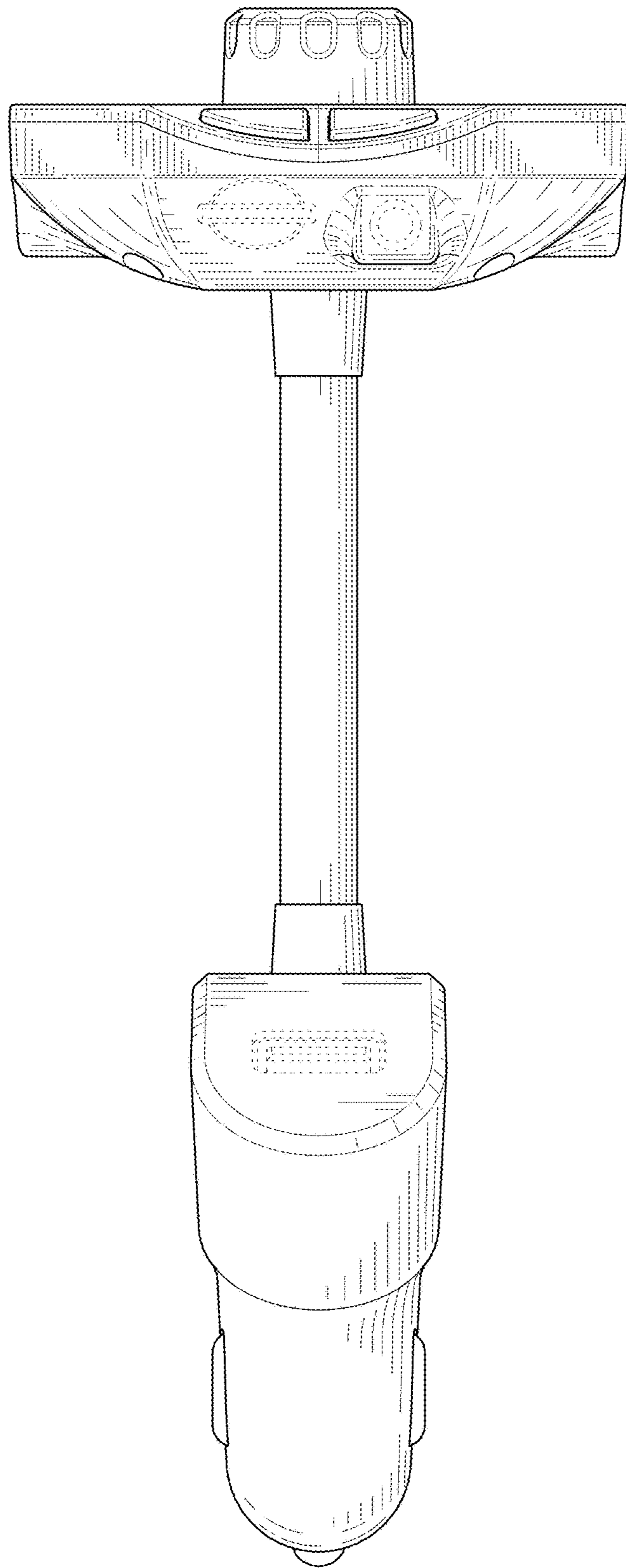


FIG. 5

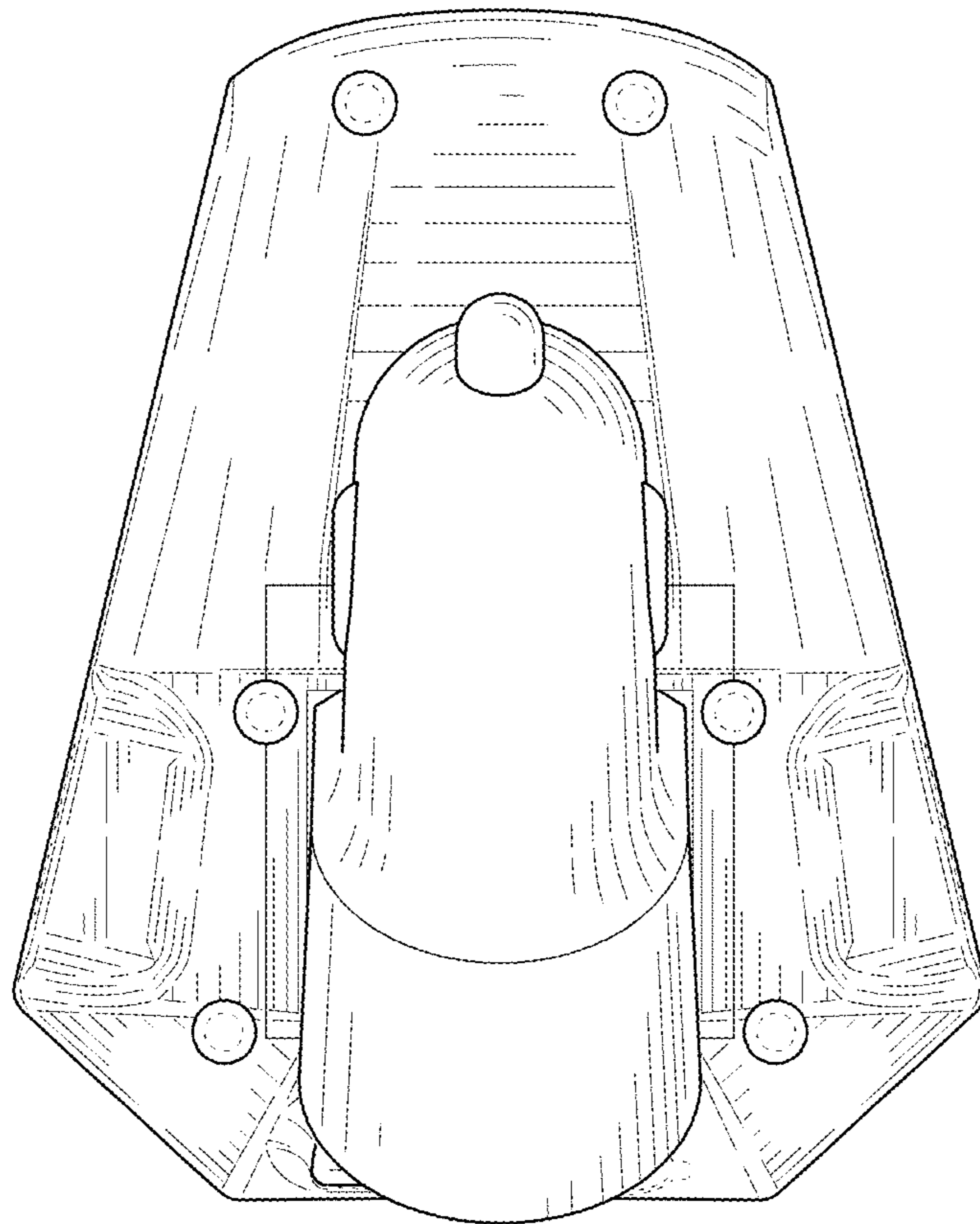


FIG. 6

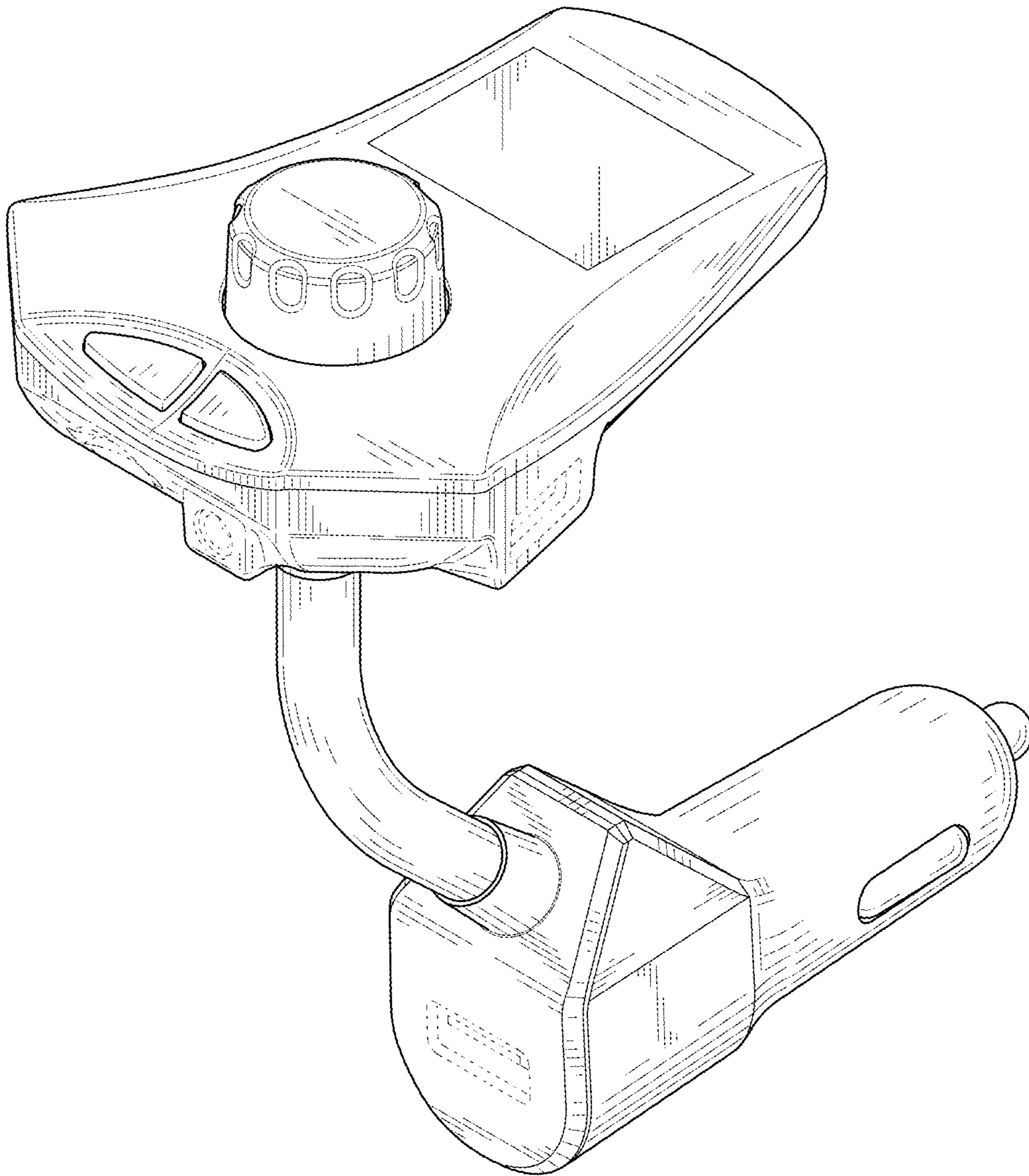


FIG. 7

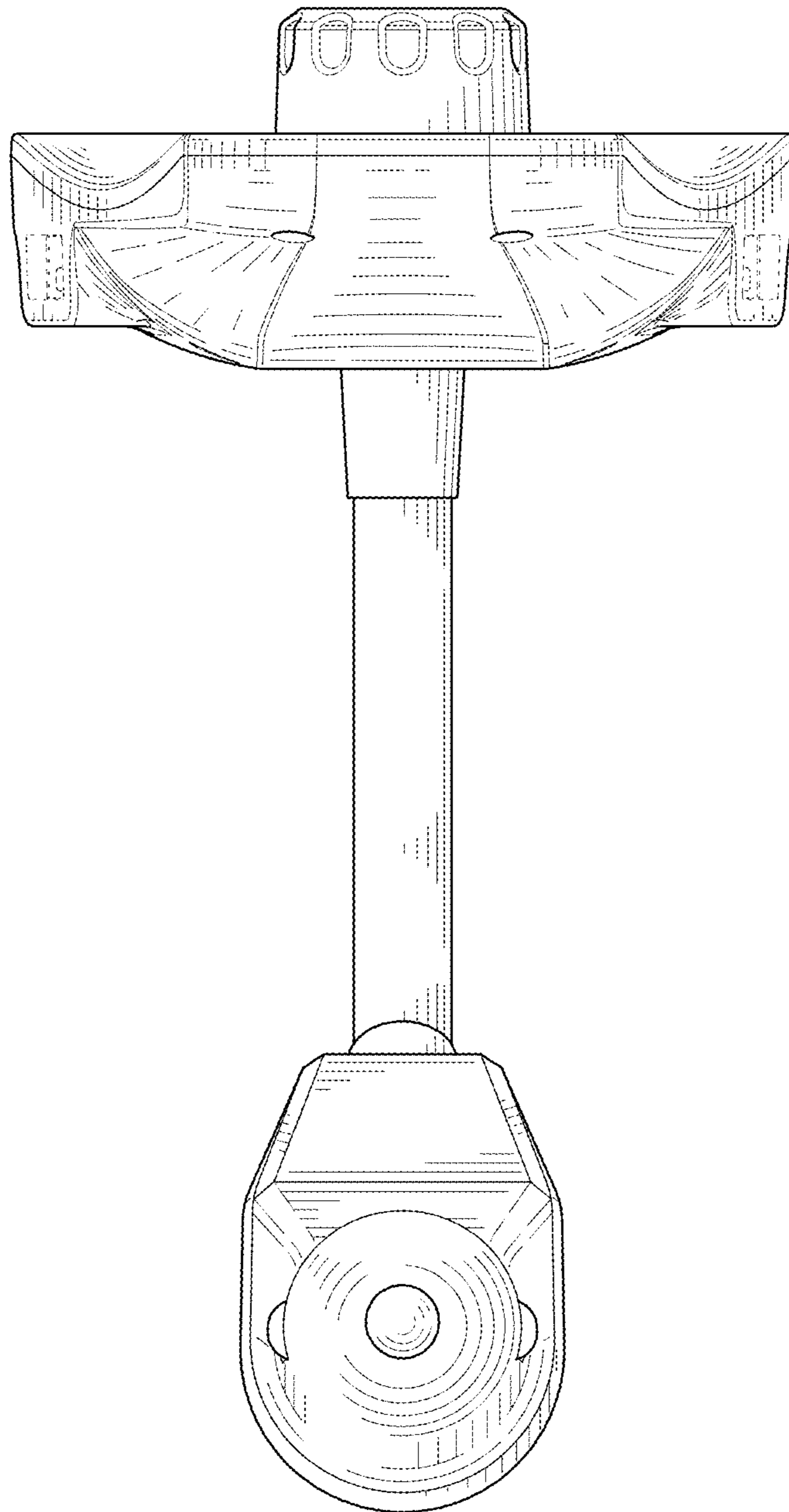


FIG. 8

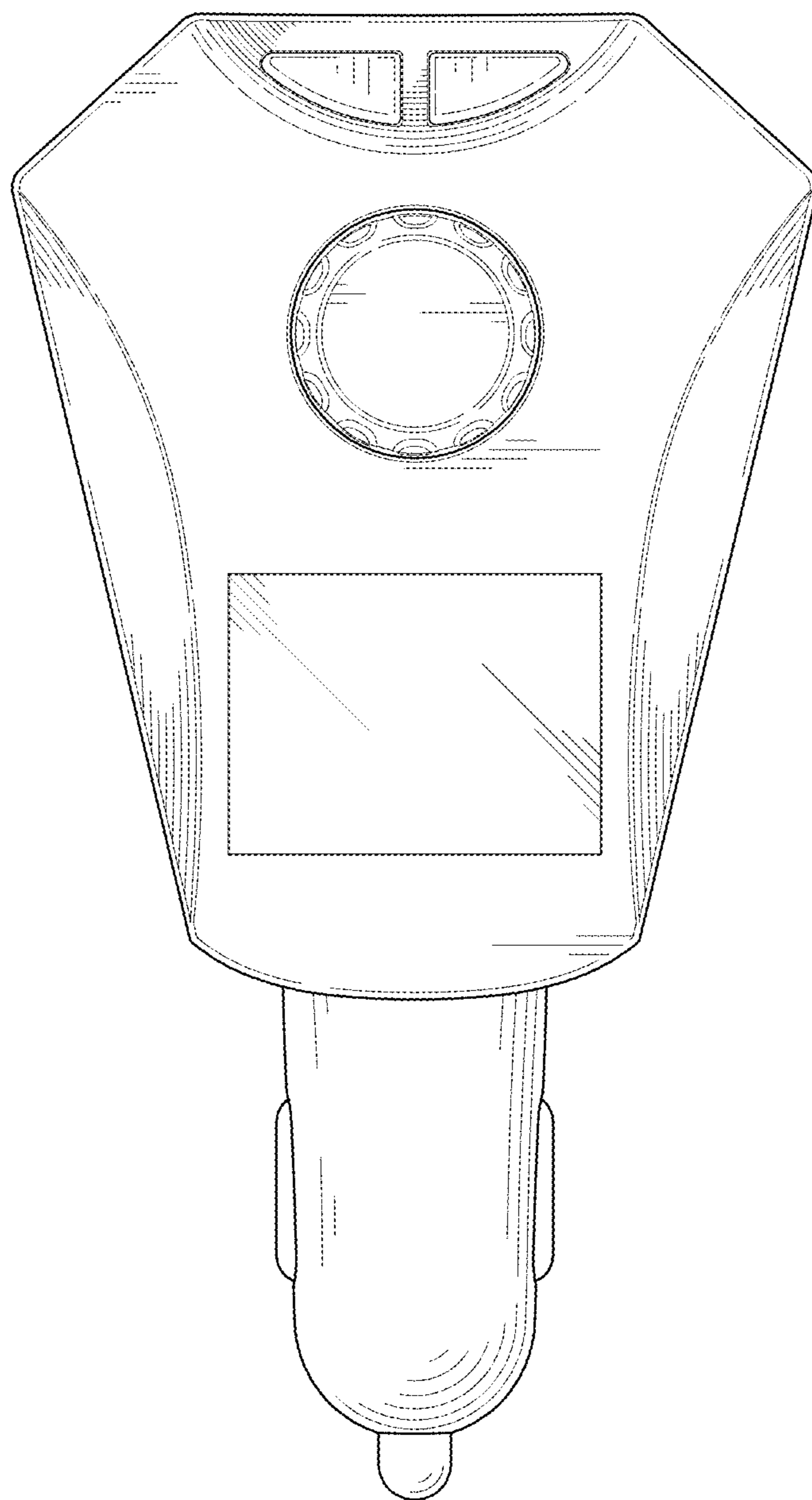


FIG. 9

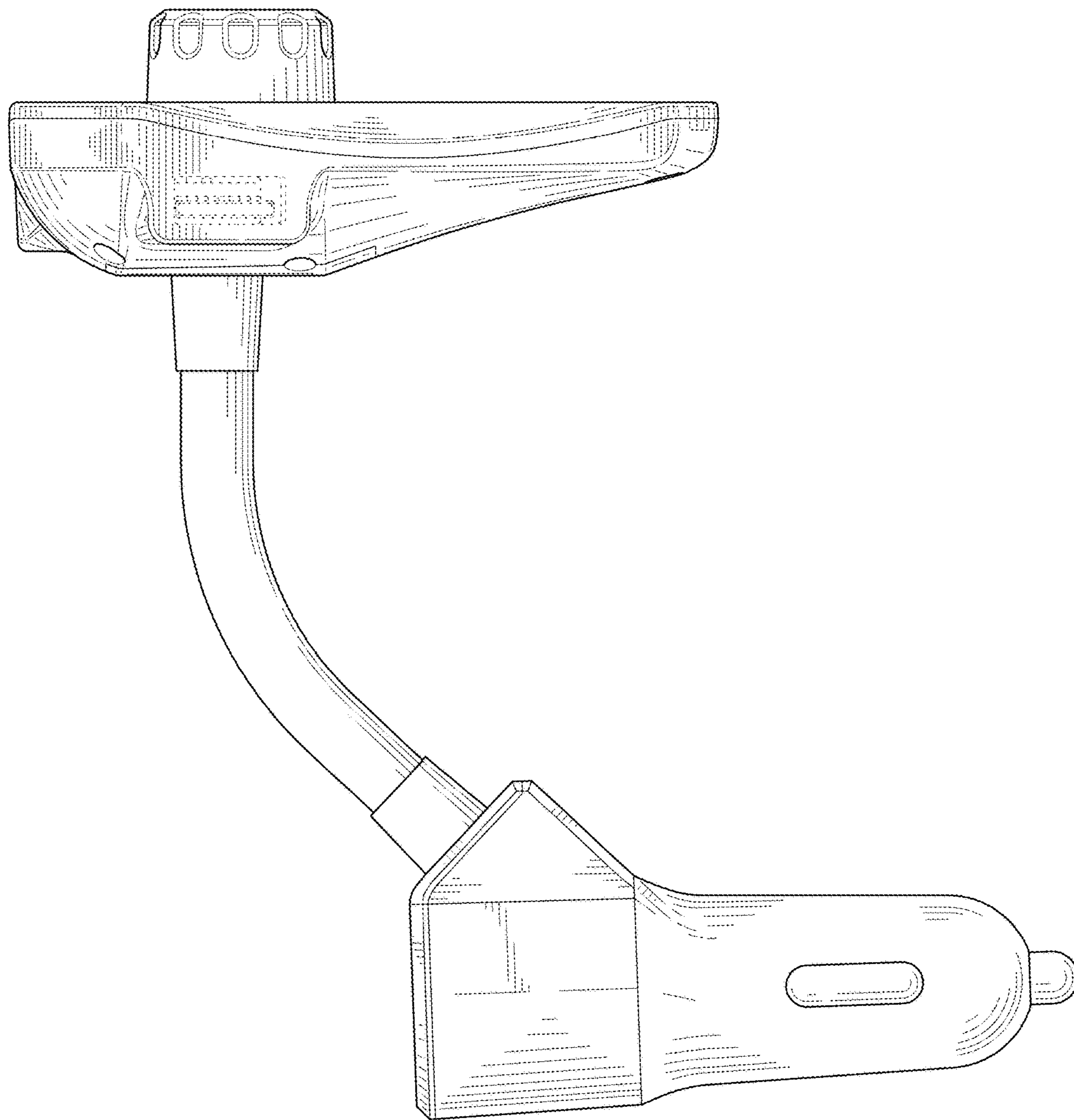


FIG. 10

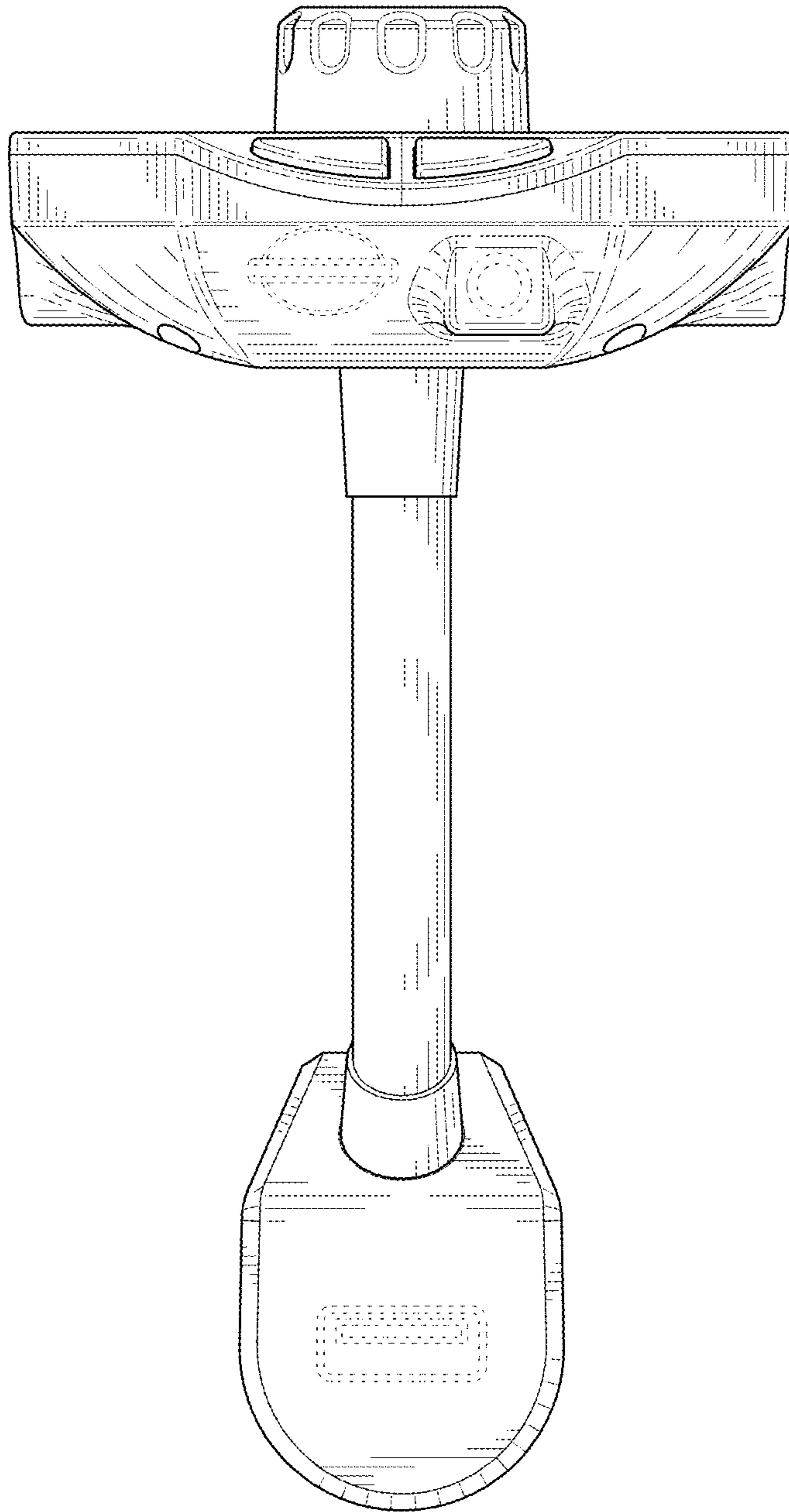


FIG. 11

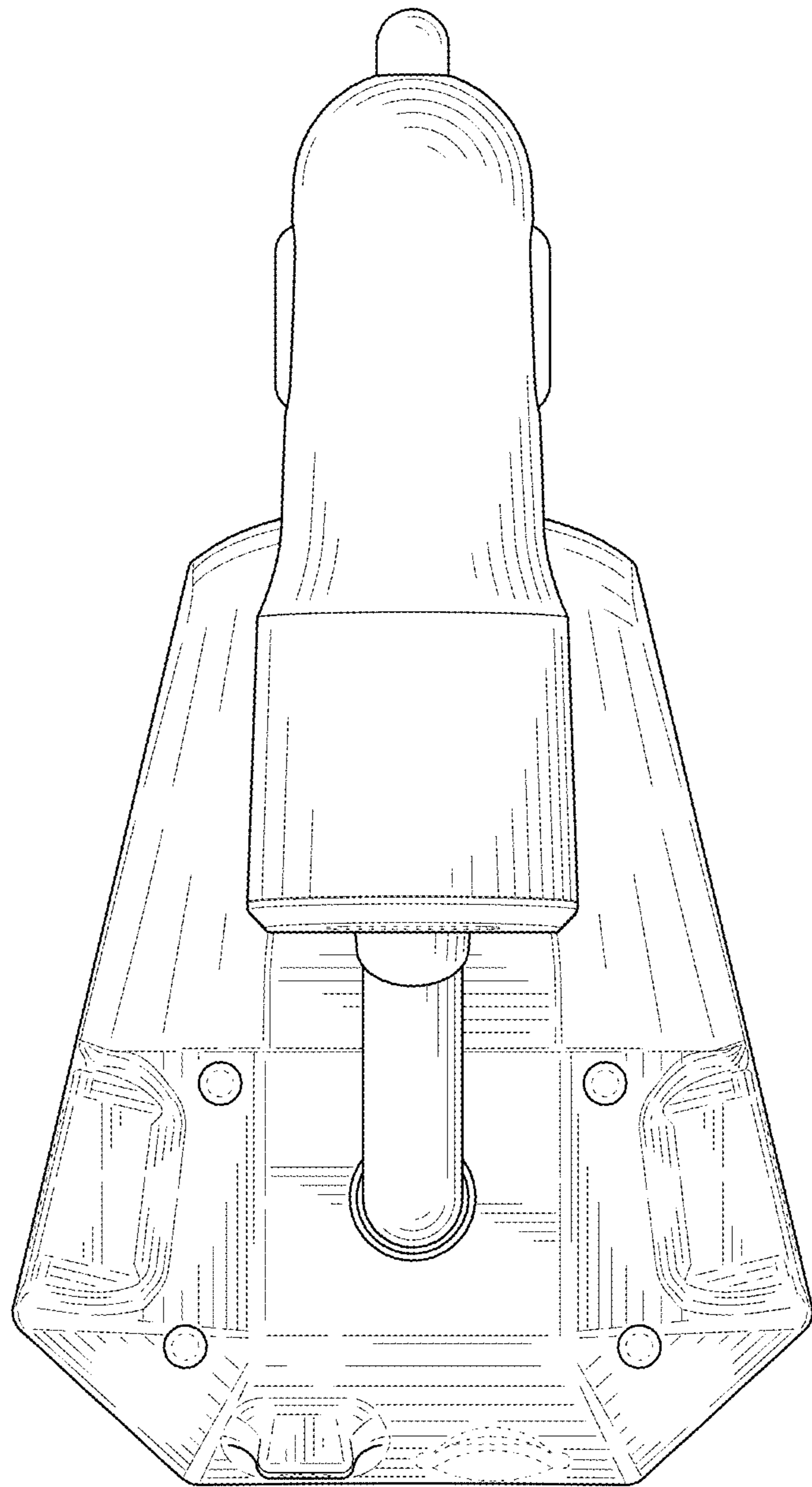


FIG. 12