



US00D808423S

(12) **United States Design Patent**
Jiang et al.

(10) **Patent No.:** **US D808,423 S**
(45) **Date of Patent:** **** Jan. 23, 2018**

(54) **DISPLAY SCREEN OR PORTION THEREOF WITH ICON**

(71) Applicant: **VISA INTERNATIONAL SERVICE ASSOCIATION**, San Francisco, CA (US)

(72) Inventors: **Chunxi Jiang**, San Francisco, CA (US); **William DiMondi**, San Francisco, CA (US)

(73) Assignee: **VISA INTERNATIONAL SERVICE ASSOCIATION**, San Francisco, CA (US)

(**) Term: **15 Years**

(21) Appl. No.: **29/566,251**

(22) Filed: **May 27, 2016**

(51) **LOC (11) Cl.** **14-04**

(52) **U.S. Cl.**
USPC **D14/492**

(58) **Field of Classification Search**
USPC D14/485–495
CPC G06F 3/048; G06F 3/0481; G06F 3/04817; G06F 3/0482; G06F 3/0483; G06F 3/04842; G06F 3/0485; G06F 3/04855; G06F 3/0486; G06F 3/0488; G06F 3/04886; G06F 9/4443; G06F 17/211; G06F 17/212

See application file for complete search history.

(56) **References Cited**

U.S. PATENT DOCUMENTS

D397,103 S * 8/1998 Arora D14/490
6,540,260 B1 * 4/2003 Tan B42D 1/08
281/21.1
D576,634 S * 9/2008 Clark D14/485

D599,358 S * 9/2009 Hoefnagels D14/485
D599,361 S * 9/2009 Hoefnagels D14/485
D701,232 S * 3/2014 Na D14/486
D710,880 S * 8/2014 Elston D14/488
D730,369 S * 5/2015 Yokota D14/485
D744,496 S * 12/2015 Seo D14/485
D775,152 S * 12/2016 Perach D14/485
2004/0064510 A1 * 4/2004 Ooi H04L 12/1822
709/205

OTHER PUBLICATIONS

Montesdeoca, Pablo, “Wallet Icon” Mar. 28, 2016, dribbble, site visited Sep. 18, 2017 <https://dribbble.com/shots/2616819-Wallet-Icon>.
“Wallet Icon Outline” Dec. 5, 2015, Iconshop, site visited Sep. 18, 2017 <https://freeiconshop.com/icon/wallet-icon-outline/>.

* cited by examiner

Primary Examiner — Kevin K Rudzinski

Assistant Examiner — Jack Reickel

(74) *Attorney, Agent, or Firm* — Loeb & Loeb LLP

(57) **CLAIM**

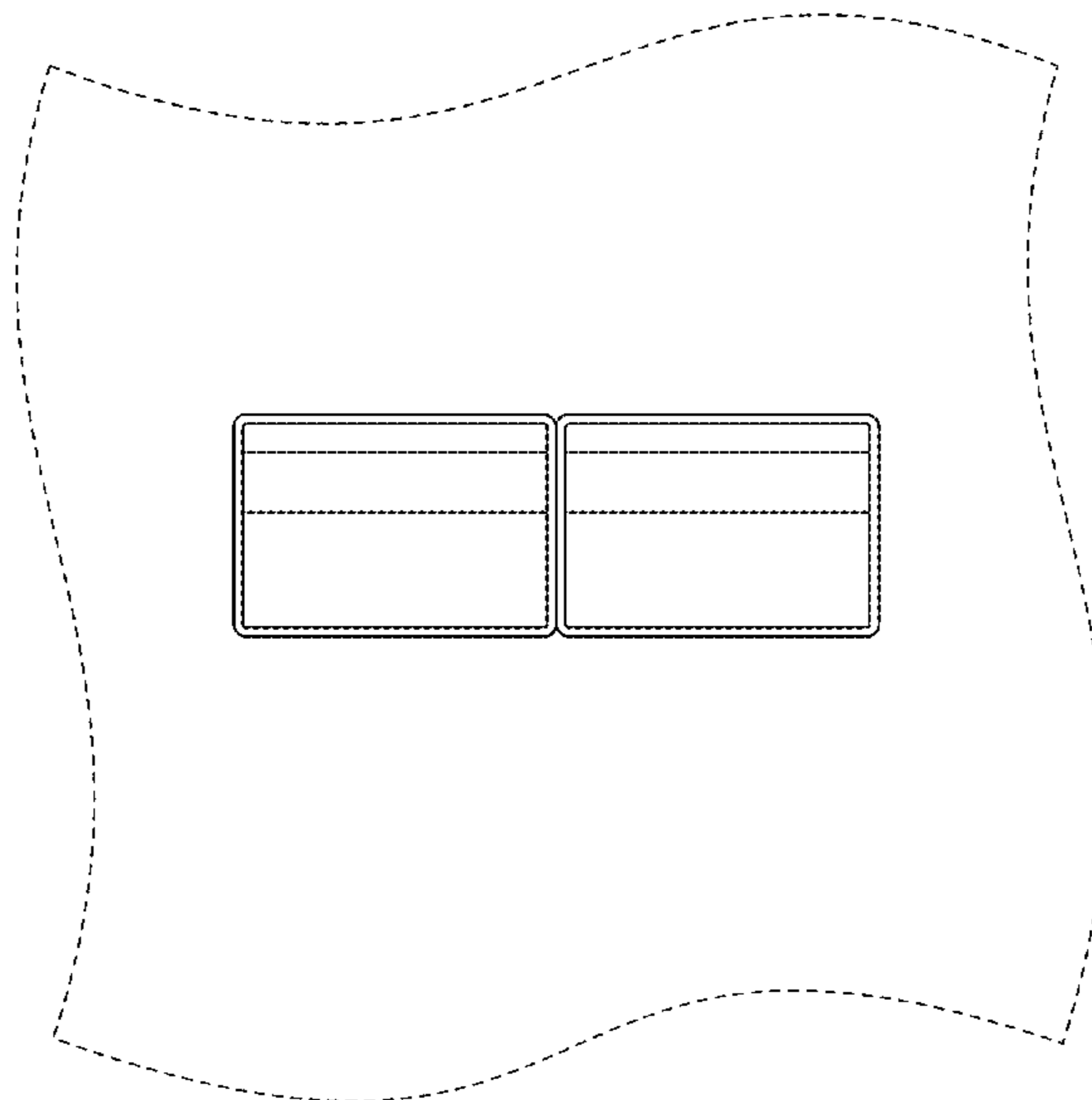
The ornamental design for a display screen or portion thereof with icon, as shown and described.

DESCRIPTION

FIG. 1 is an enlarged front view of a display screen or portion thereof with icon showing our new design; and, FIG. 2 is a front view of the display screen or portion thereof with icon of FIG. 1 shown on a device.

The broken line showing of the display screen is included for the purpose of illustrating portions of the article and form no part of the claimed design. The broken line showing of the device is included for the purpose of illustrating environmental structure and form no part of the claimed design.

1 Claim, 2 Drawing Sheets



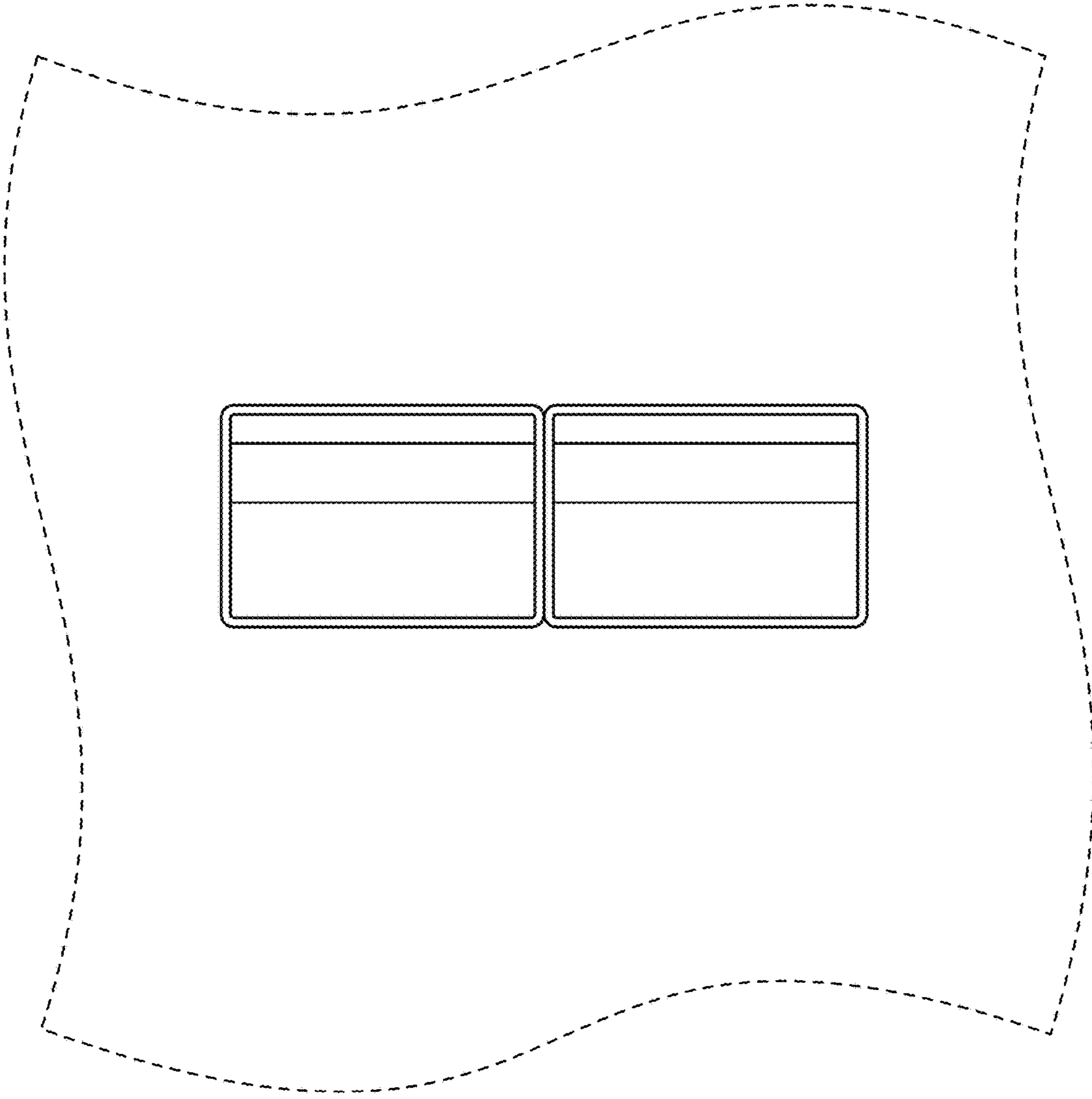


FIG. 1

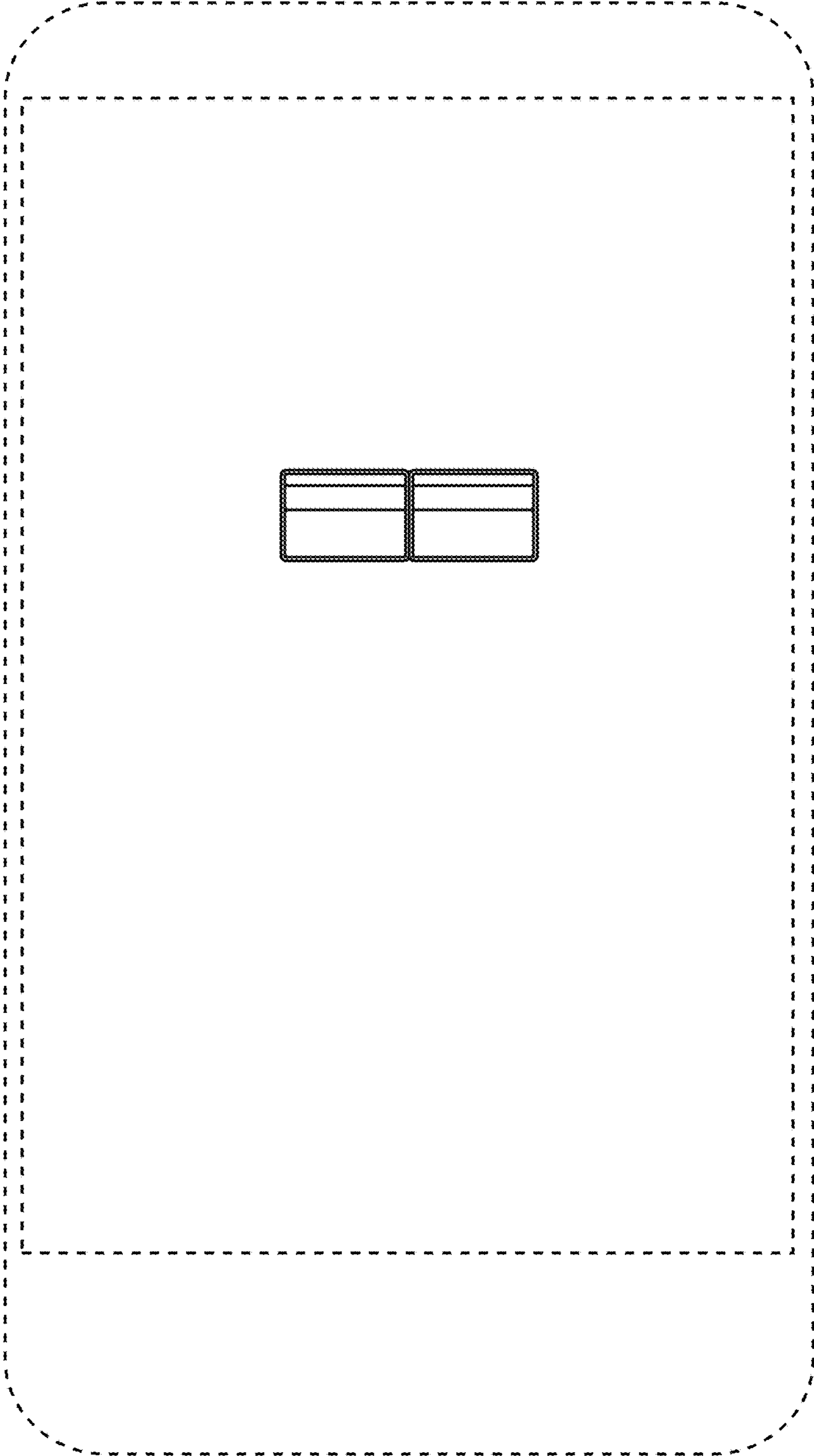


FIG. 2