



US00D808397S

(12) **United States Design Patent**
Beaty et al.

(10) **Patent No.:** **US D808,397 S**
(45) **Date of Patent:** **** Jan. 23, 2018**

(54) **DISPLAY SCREEN WITH ANIMATED GRAPHICAL USER INTERFACE**

(71) Applicant: **REDCRITTER CORP.**, Flower Mound, TX (US)

(72) Inventors: **Robert M Beaty**, Flower Mound, TX (US); **James Leon Rockett, Jr.**, Carrollton, TX (US)

(73) Assignee: **RedCrittter Corp.**, Flower Mound, TX (US)

(**) Term: **15 Years**

(21) Appl. No.: **29/527,875**

(22) Filed: **May 22, 2015**

(51) **LOC (11) Cl.** **14-04**

(52) **U.S. Cl.**
USPC **D14/485**

(58) **Field of Classification Search**
USPC D14/485-495
CPC G06T 13/00; G06T 13/80; G06F 3/04845
See application file for complete search history.

(56) **References Cited**

U.S. PATENT DOCUMENTS

6,577,330	B1 *	6/2003	Tsuda	G06F 3/04815
					715/781
7,170,510	B2 *	1/2007	Kawahara	G06F 3/04815
					345/419
D594,024	S *	6/2009	King	D14/488
D613,300	S *	4/2010	Chaudhri	D14/488
D711,920	S *	8/2014	Stroupe	D14/492
D735,236	S *	7/2015	Keavney	D14/488
D736,244	S *	8/2015	Kang	D14/488
D739,871	S *	9/2015	Arriola	D14/488

D743,980	S *	11/2015	Moriya	D14/486
D745,028	S *	12/2015	Hwang	D14/486
9,210,247	B2 *	12/2015	Vance	G06Q 10/107
D758,424	S *	6/2016	Ding	D14/488
D763,905	S *	8/2016	Patel	D14/488
D773,481	S *	12/2016	Everette	D14/485
D785,013	S *	4/2017	Kuhn	D14/485
2016/0231883	A1 *	8/2016	Zambetti	G06F 1/169

* cited by examiner

Primary Examiner — Richelle G Shelton

(74) *Attorney, Agent, or Firm* — Kirton McConkie; Brian Tucker

(57) **CLAIM**

The ornamental design for a display screen with animated graphical user interface, as shown and described.

DESCRIPTION

FIG. 1 is the first image in a sequence for a display screen with animated graphical user interface showing our new design;

FIG. 2 is the second image thereof;

FIG. 3 is the third image thereof;

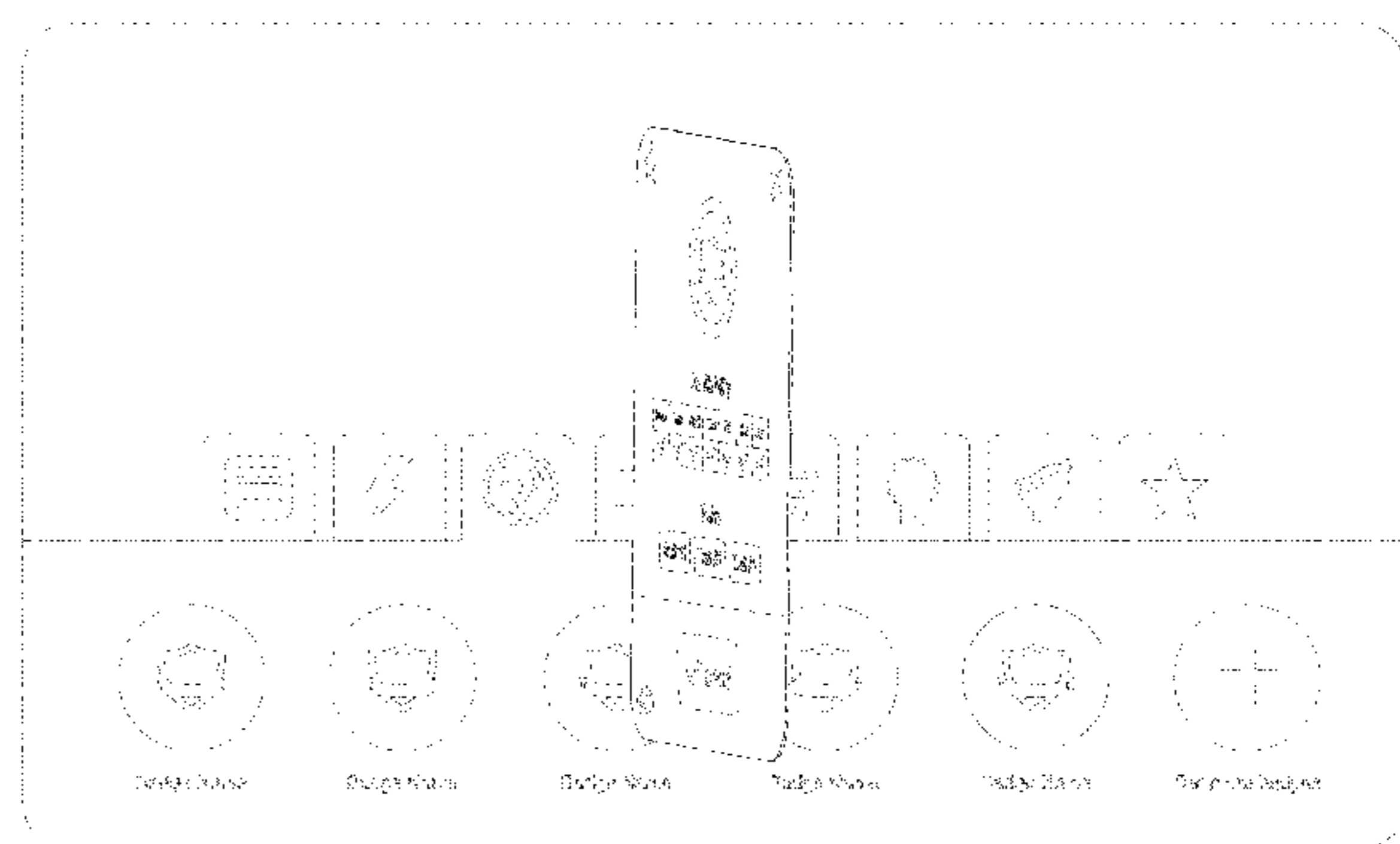
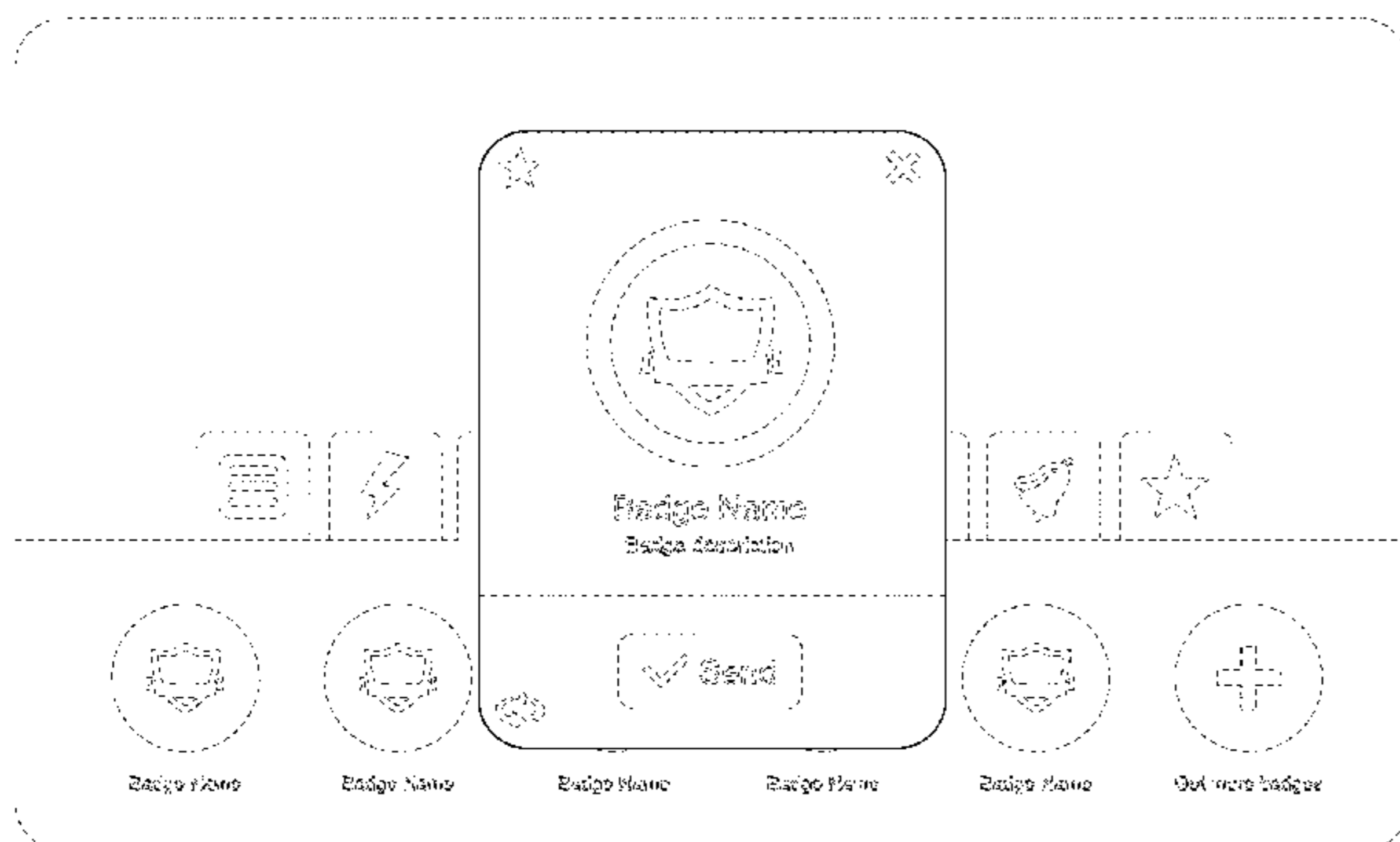
FIG. 4 is the fourth image thereof;

FIG. 5 is the fifth image thereof; and,

FIG. 6 is the sixth image thereof.

The appearance of the display screen with animated graphical user interface sequentially transitions between the images shown in FIGS. 1-6. The process or period in which one image transitions to another forms no part of the claimed design. The broken line showing the remainder of the display screen is for environmental purposes only and forms no part of the claimed design.

1 Claim, 6 Drawing Sheets



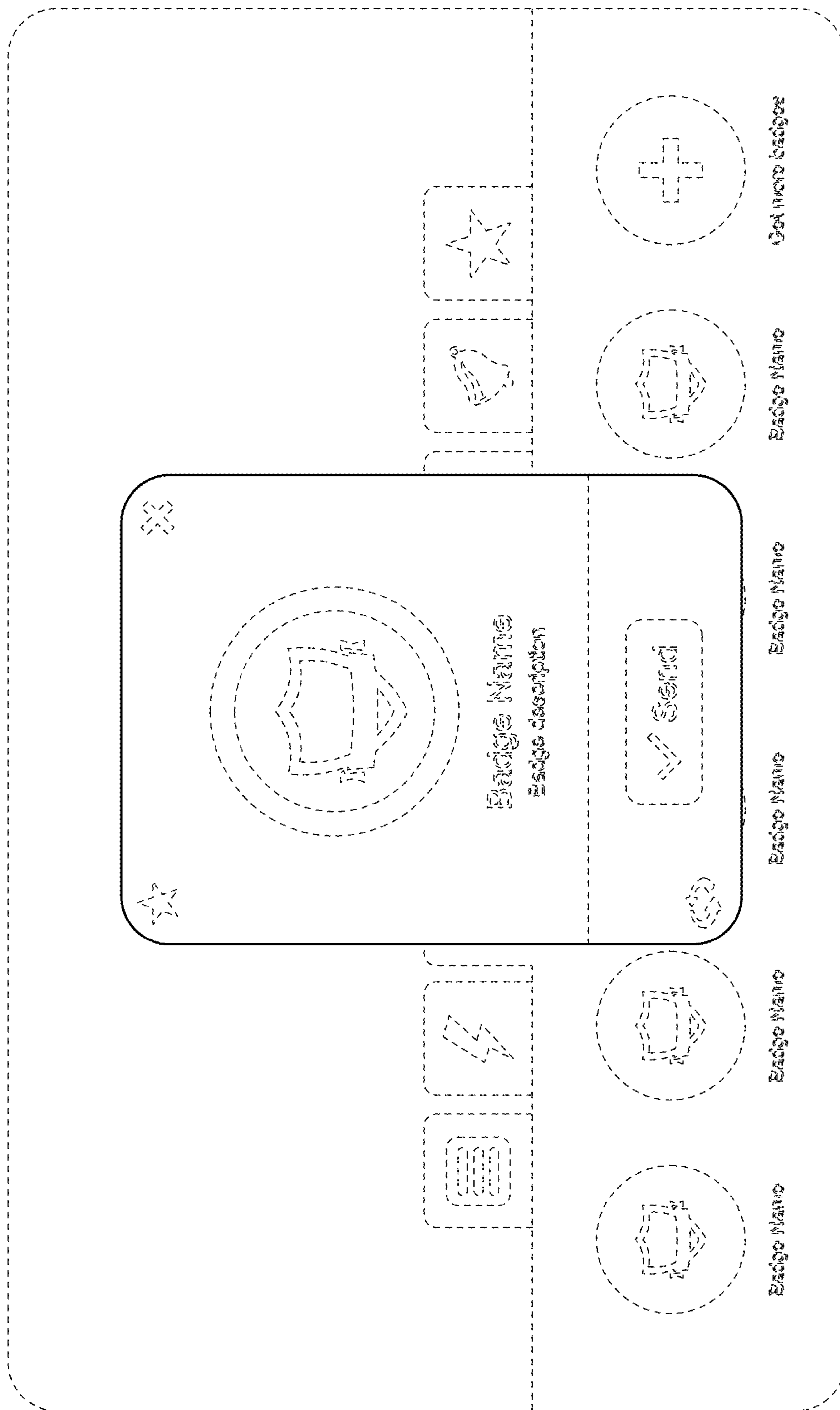


FIG. 1

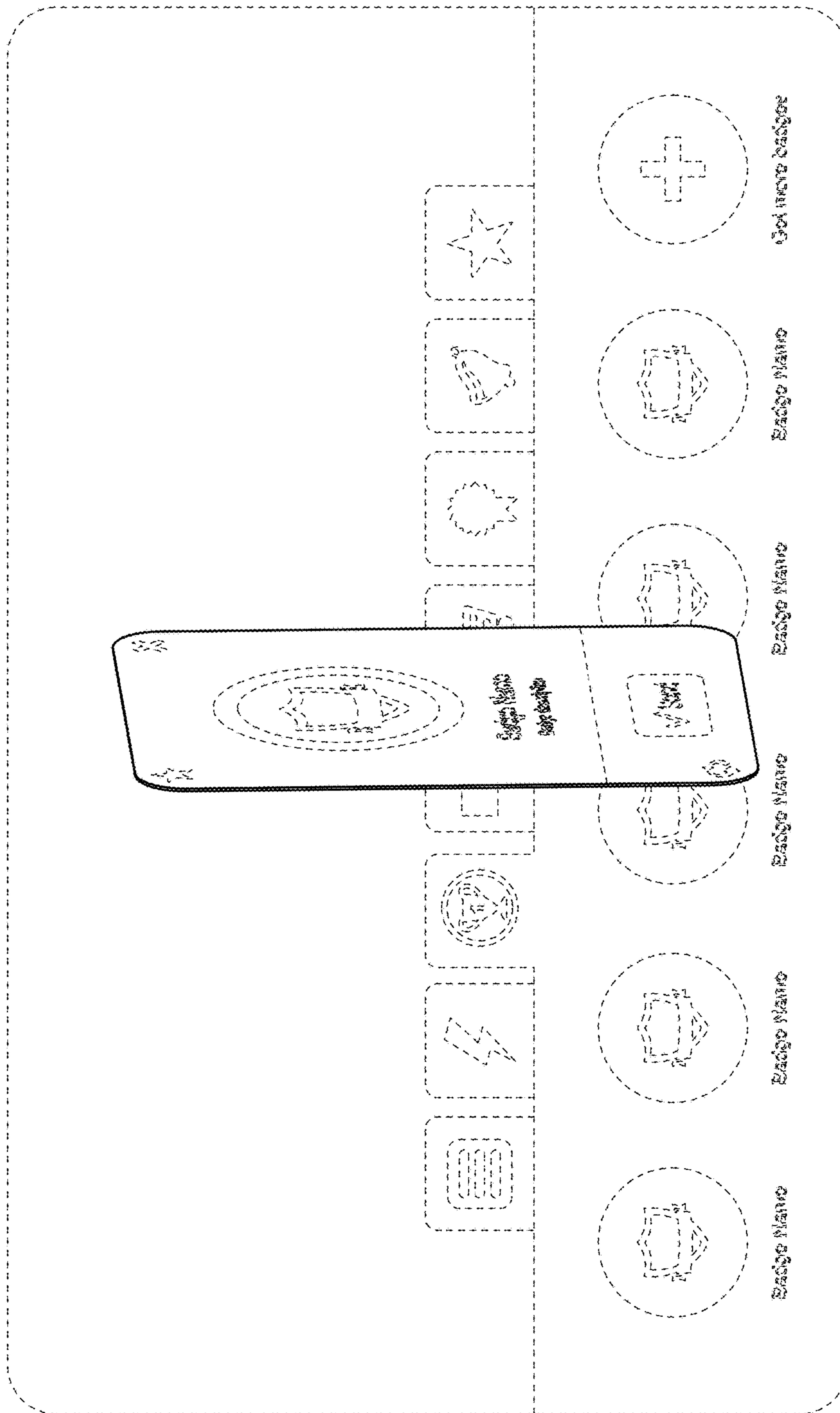


FIG. 2

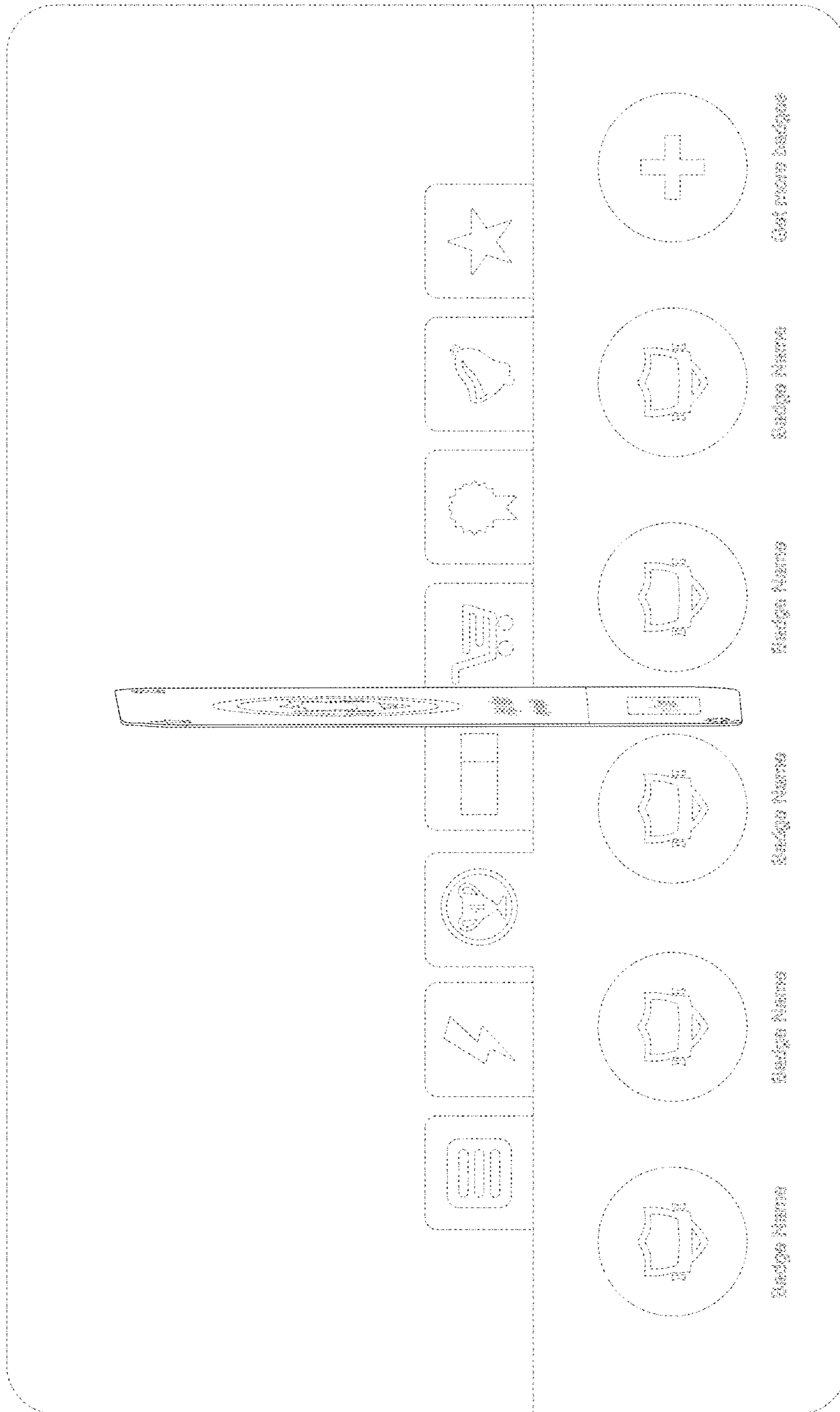


FIG. 3

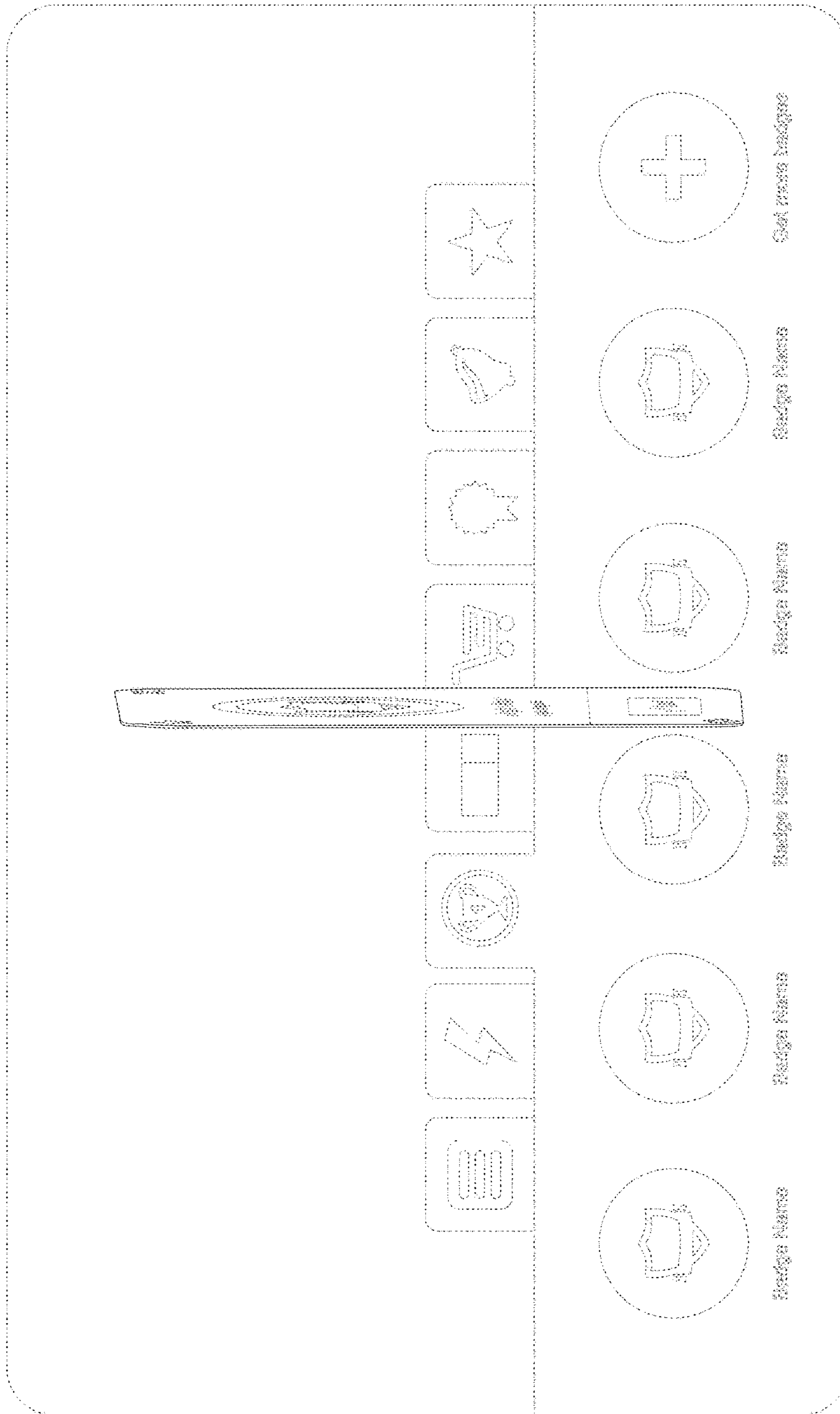


FIG. 4

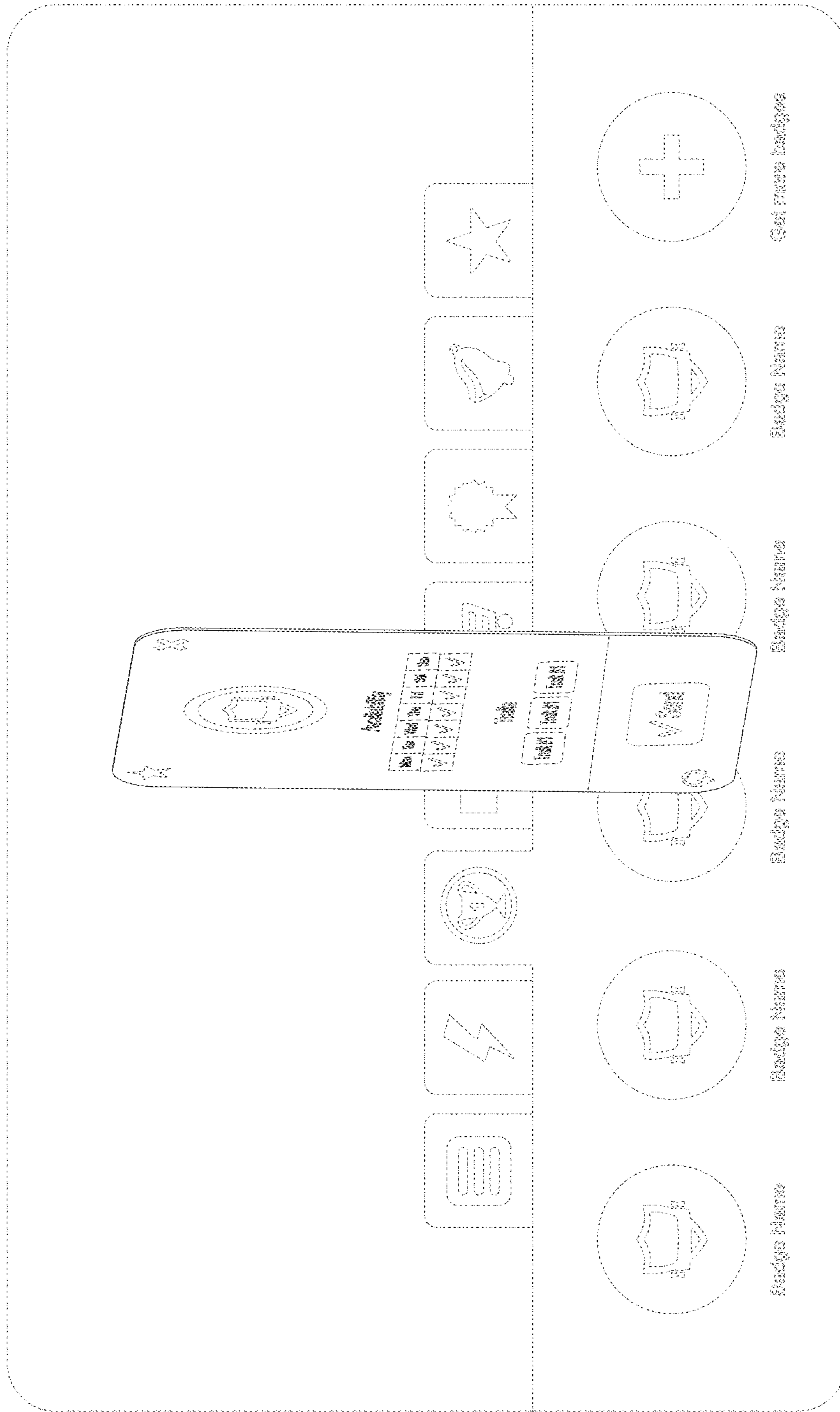


FIG. 5

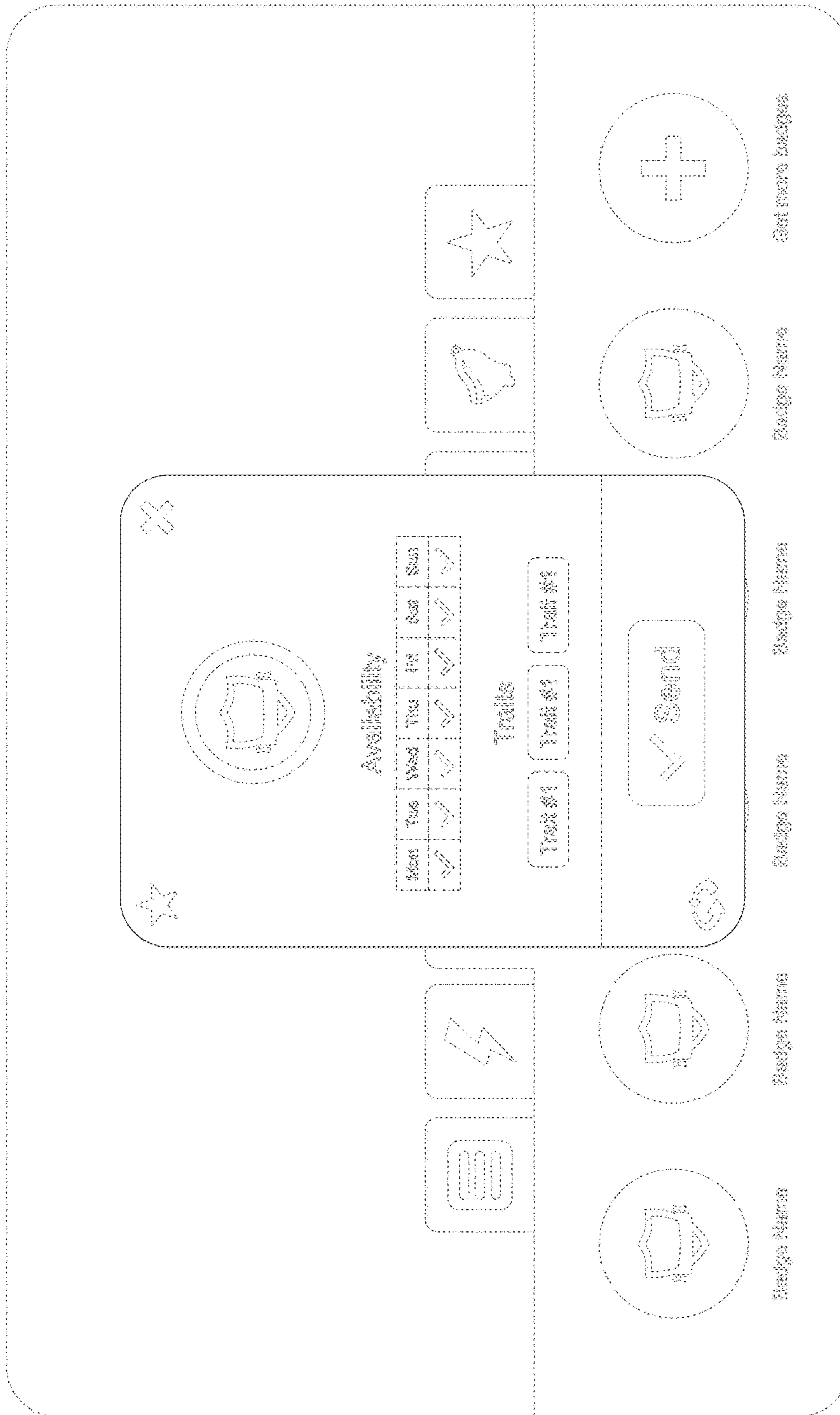


FIG. 6