

US00D808393S

(12) **United States Design Patent**
Moore et al.

(10) **Patent No.:** **US D808,393 S**
(45) **Date of Patent:** **** Jan. 23, 2018**

(54) **DEVICE COVER**

(71) Applicant: **Amazon Technologies, Inc.**, Seattle, WA (US)

(72) Inventors: **Jesse Wheeler Moore**, Oakland, CA (US); **Monica Liane Mecchella**, San Francisco, CA (US)

(73) Assignee: **Amazon Technologies, Inc.**, Seattle, WA (US)

(**) Term: **15 Years**

(21) Appl. No.: **29/567,420**

(22) Filed: **Jun. 8, 2016**

(51) **LOC (11) Cl.** **14-02**

(52) **U.S. Cl.**
USPC **D14/440**

(58) **Field of Classification Search**
USPC D14/440, 250, 447; 206/45.23, 320, 206/45.2; 361/679.55; 294/25; 224/218
CPC ... G06F 1/1628; G06F 1/1626; A47B 23/044; H04B 1/3888
See application file for complete search history.

(56) **References Cited**

U.S. PATENT DOCUMENTS

D467,429 S *	12/2002	Bone	D3/294
D657,354 S *	4/2012	Kim	D14/250
D676,448 S *	2/2013	Gorman	D14/440
D676,449 S *	2/2013	Probst	D14/440
8,542,495 B1 *	9/2013	Gorman	G06F 1/1626 361/679.02
D707,229 S *	6/2014	Almodova	D14/440
D736,777 S *	8/2015	Rayner	D14/440
D742,889 S *	11/2015	Mecchella	D14/440
D742,890 S *	11/2015	Mecchella	D14/440
D748,097 S *	1/2016	Feng	D14/440
D748,636 S *	2/2016	Zadvinskis	D14/440

D753,123 S *	4/2016	Probst	D14/440
9,307,131 B1 *	4/2016	Breen	H04N 5/2257
D761,798 S *	7/2016	Lee	D14/440
D765,086 S *	8/2016	Lee	D14/440
D765,663 S *	9/2016	Shih	D14/440
D768,638 S *	10/2016	Lee	D14/440
D774,036 S *	12/2016	Kuntz	D14/440
D781,278 S *	3/2017	Kim	D14/250
D787,520 S *	5/2017	Wall	D14/440
D792,412 S *	7/2017	Zhang	D14/440
D792,887 S *	7/2017	Zhang	D14/440

(Continued)

Primary Examiner — Cynthia Underwood

(74) *Attorney, Agent, or Firm* — Lee & Hayes, PLLC

(57) **CLAIM**

The ornamental design for a device cover, as shown and described.

DESCRIPTION

FIG. 1 is a first perspective view of a device cover, taken from above;

FIG. 2 is a front view of the device cover as shown in FIG. 1;

FIG. 3 is a back view of the device cover as shown in FIG. 1;

FIG. 4 is a left-side view of the device cover as shown in FIG. 1;

FIG. 5 is a right-side view of the device cover as shown in FIG. 1;

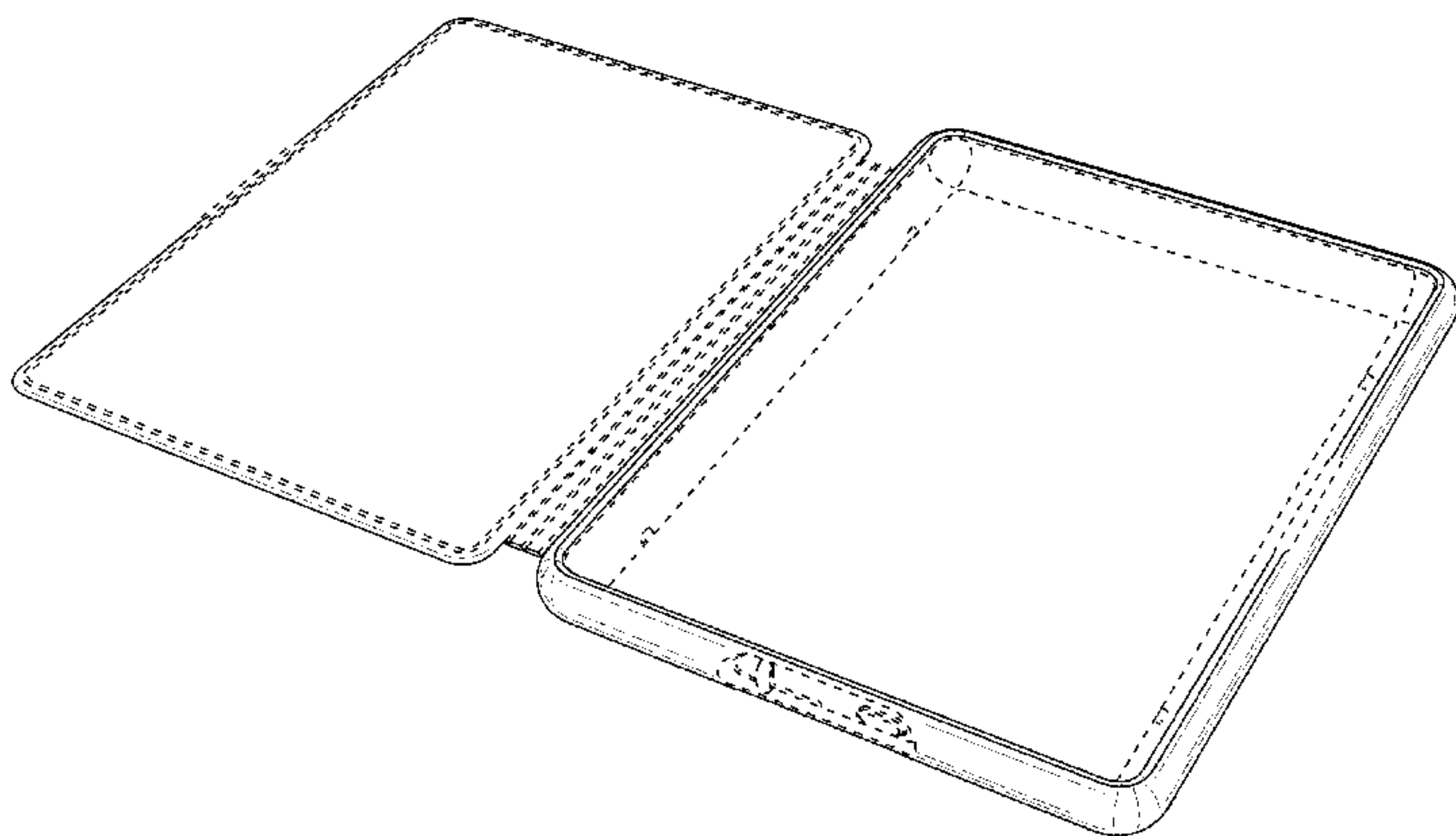
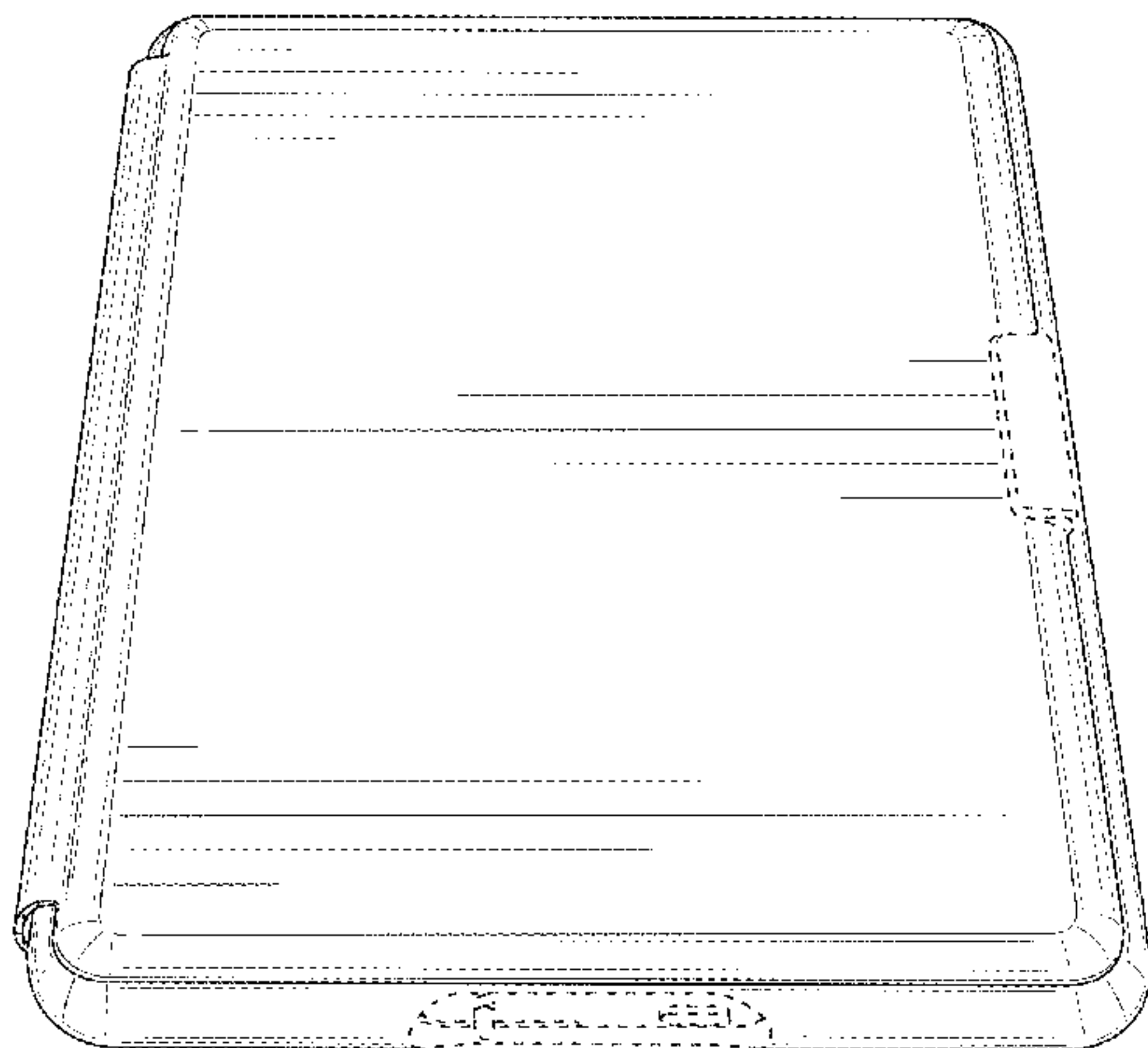
FIG. 6 is a top view of the device cover as shown in FIG. 1;

FIG. 7 is a bottom view of the device cover as shown in FIG. 1; and,

FIG. 8 is a second perspective view of the device cover shown in FIG. 1, showing interior surfaces of the device cover in an opened state.

The broken lines represent features of the device cover which form no part of the claimed design.

1 Claim, 6 Drawing Sheets



(56)

References Cited

U.S. PATENT DOCUMENTS

2007/0097087 A1* 5/2007 Homer G06F 1/1626
345/173
2008/0194139 A1* 8/2008 Chan G06F 1/1613
439/521
2012/0043235 A1* 2/2012 Klement A45C 11/00
206/320
2013/0264459 A1* 10/2013 McCosh G06F 1/1626
248/688
2016/0011628 A1* 1/2016 Sato G06F 1/1656
361/679.3

* cited by examiner

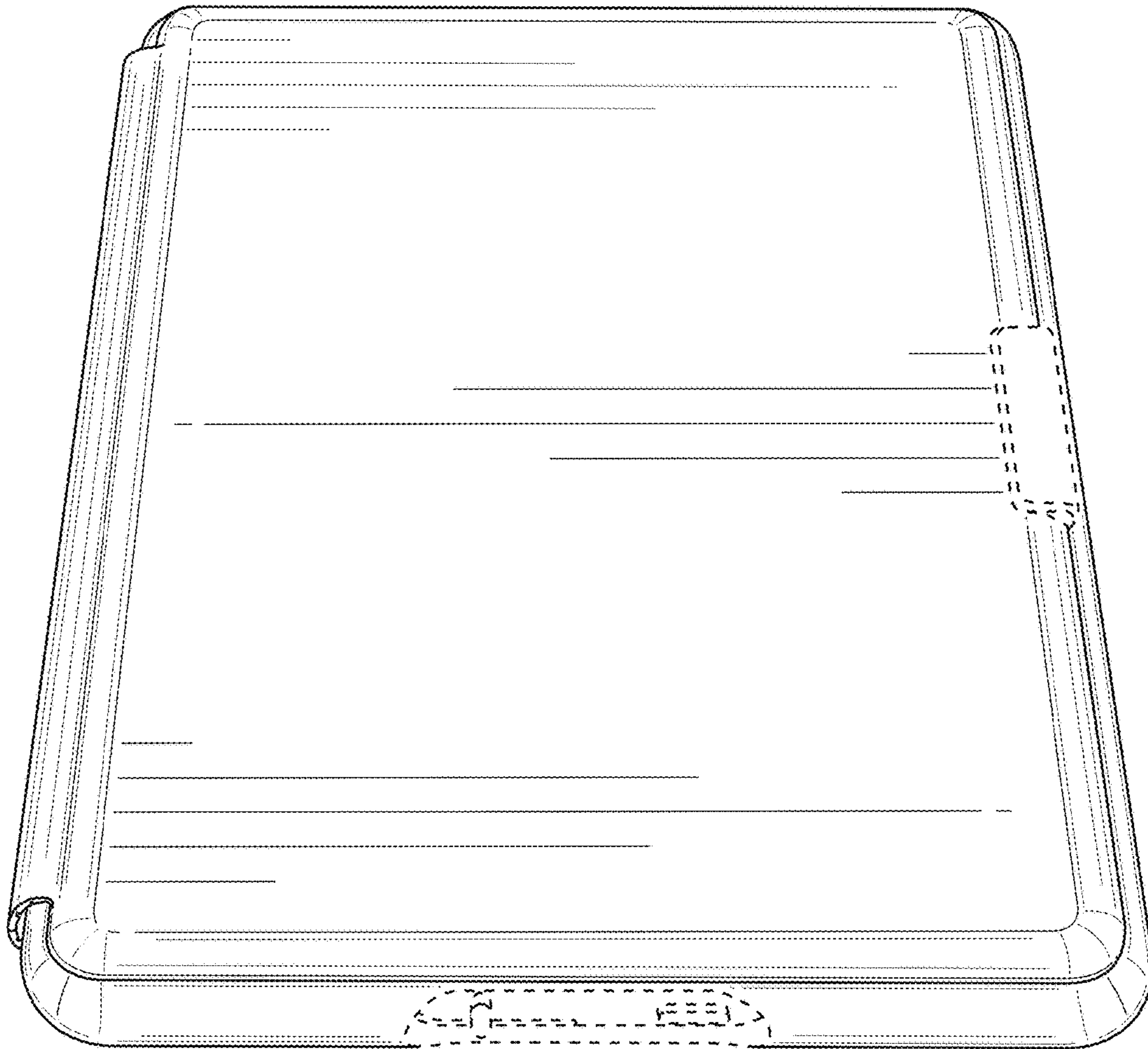


FIG. 1

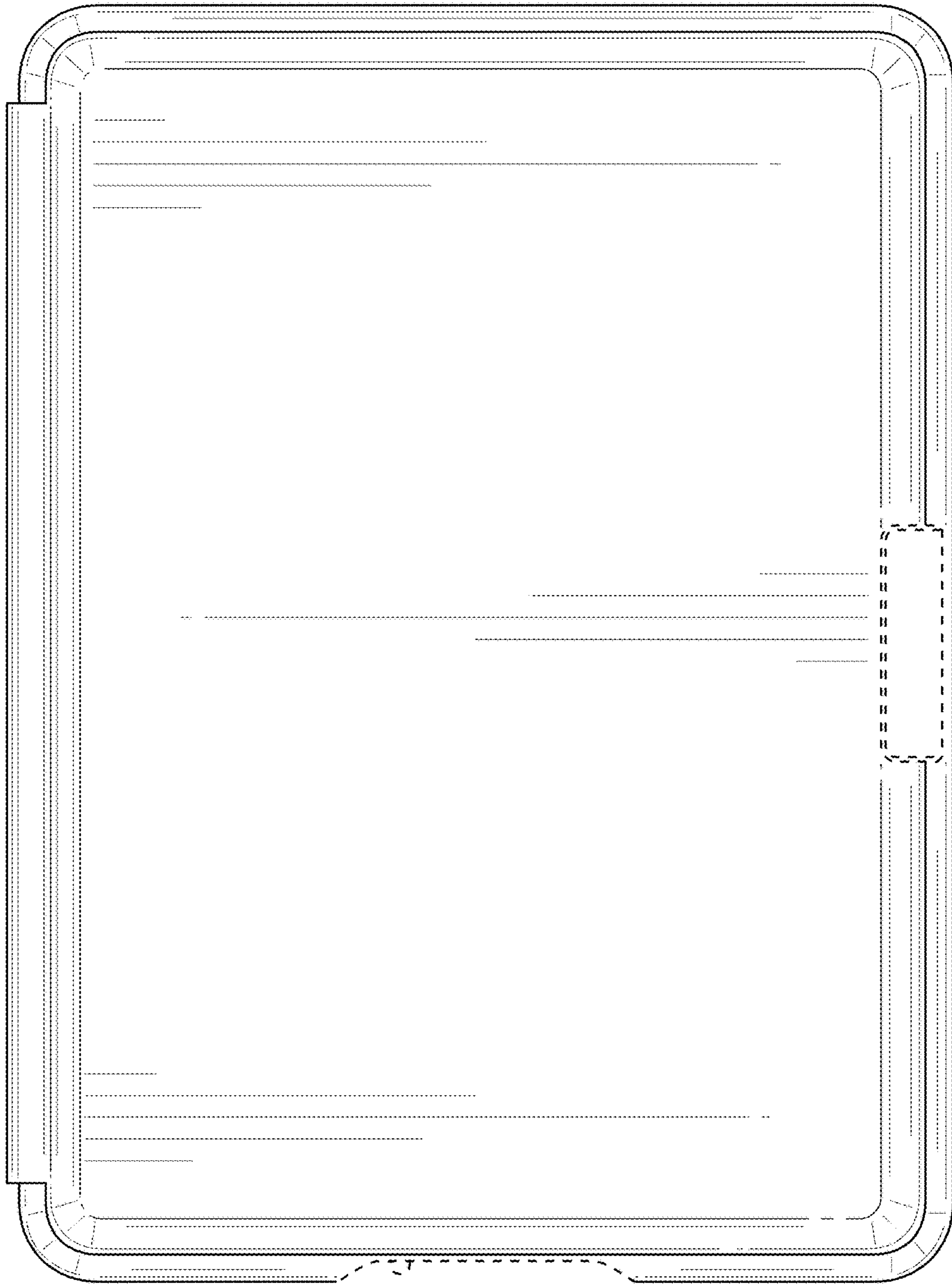


FIG. 2

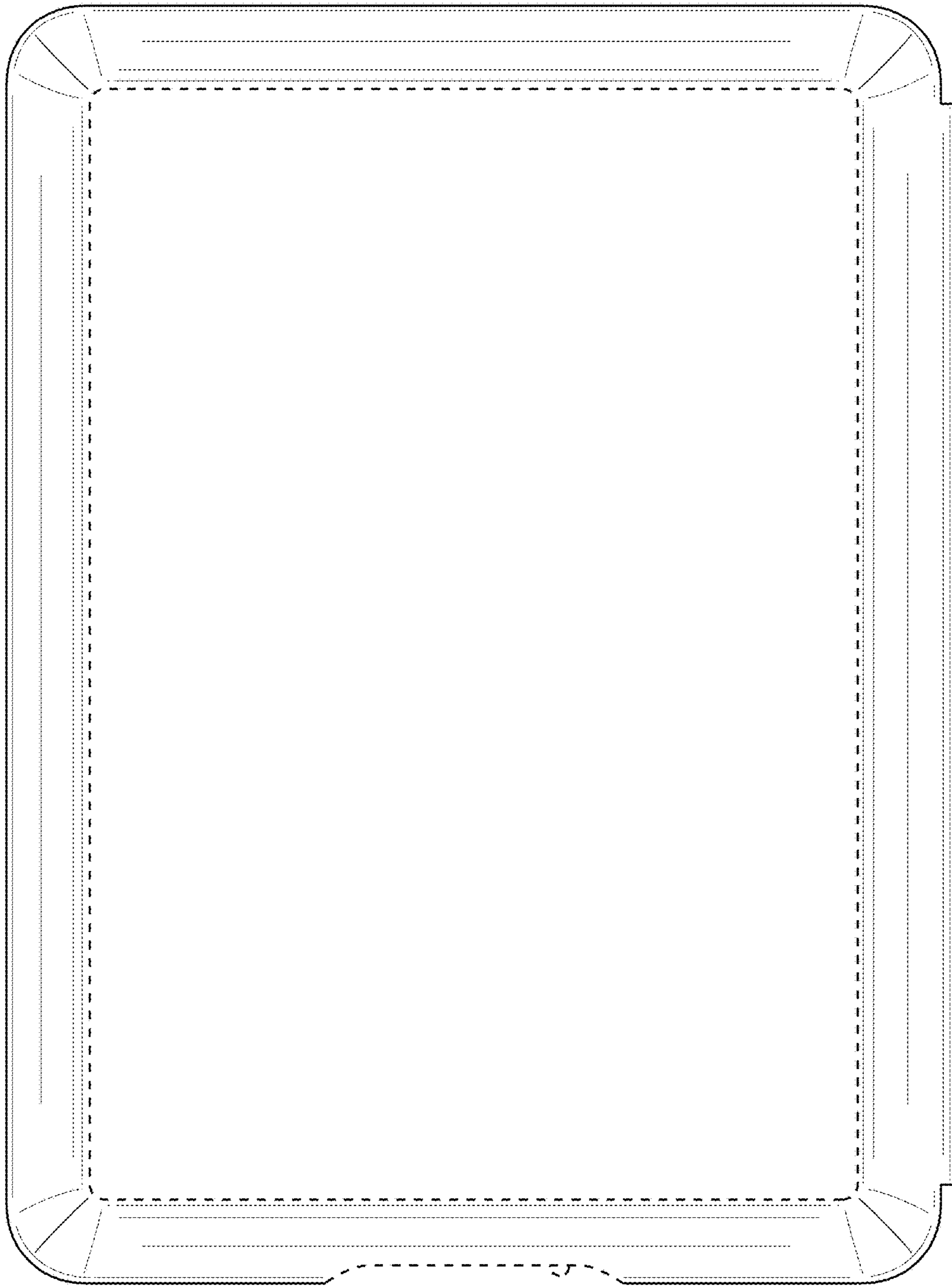


FIG. 3

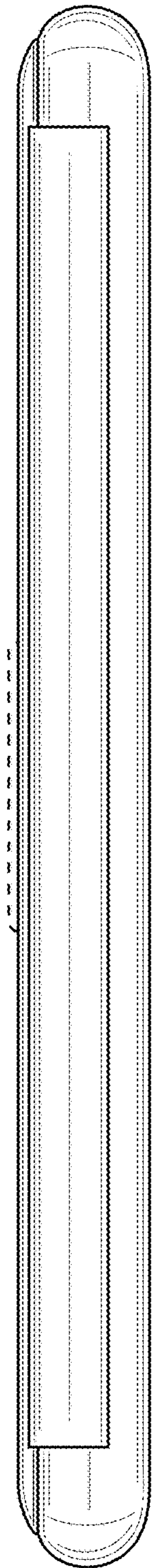


FIG. 4

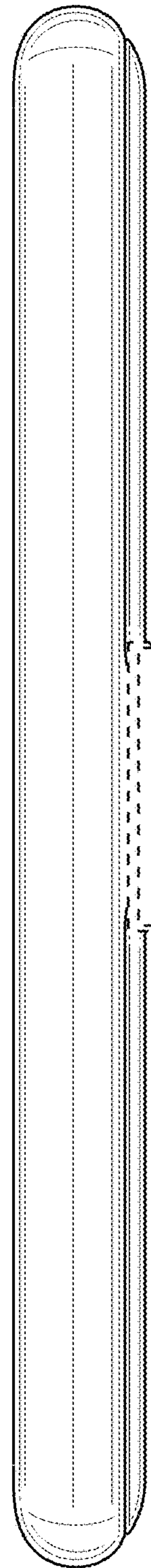


FIG. 5

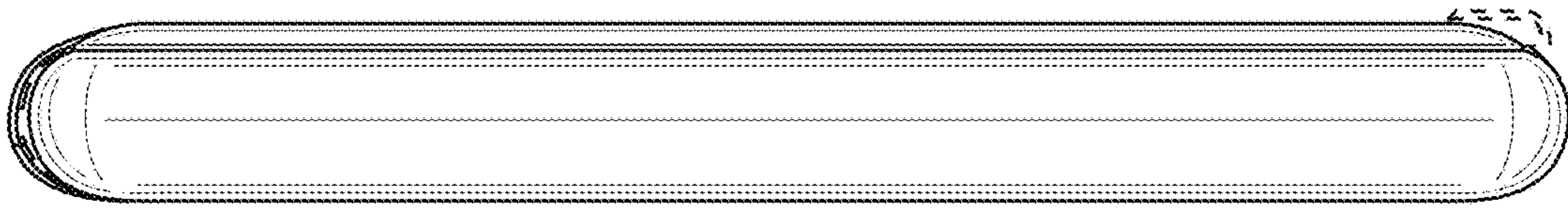


FIG. 6

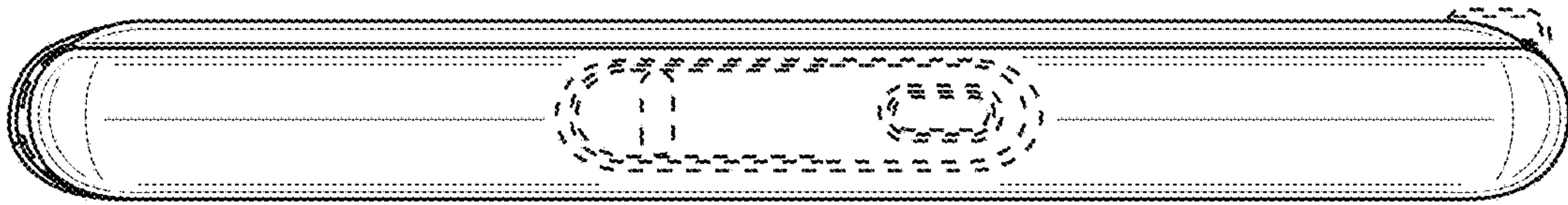


FIG. 7

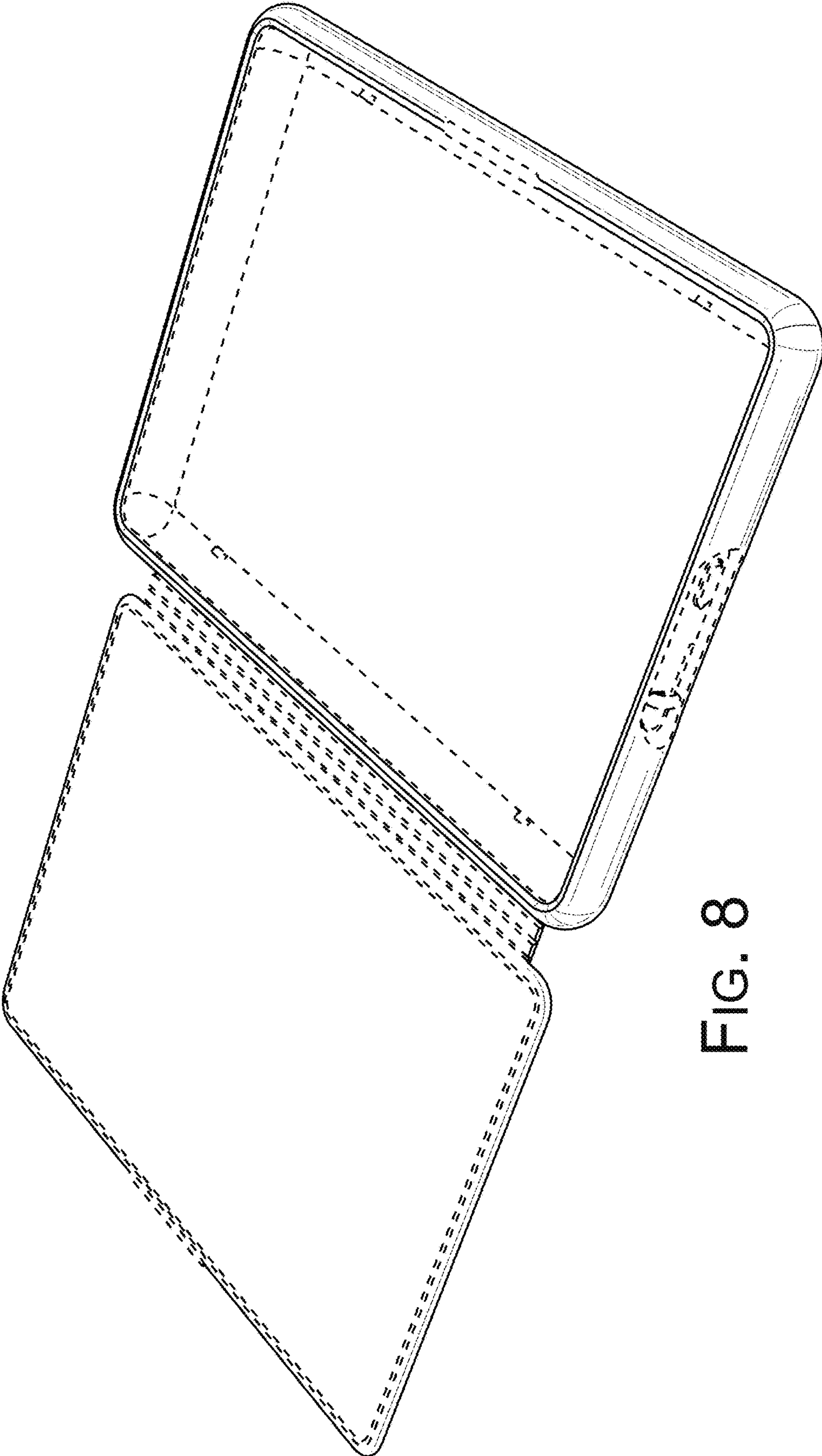


FIG. 8