



US00D808392S

(12) **United States Design Patent** (10) **Patent No.:** **US D808,392 S**
Bo (45) **Date of Patent:** **** Jan. 23, 2018**

(54) **2 IN 1 USB CABLE**
(71) Applicant: **Anhui Inno-Sign International Co., Ltd.**, Hefei (CN)
(72) Inventor: **Jin Bo**, Hefei (CN)
(73) Assignee: **ANHUI INNO-SIGN INTERNATIONAL CO., LTD.**, Hefei (CN)
(**) Term: **15 Years**

D637,189 S * 5/2011 Hemming D14/385
D664,146 S * 7/2012 Hoehn D14/433
D675,617 S * 2/2013 Daniel D14/385
D711,876 S * 8/2014 McWilliam D14/385
D729,801 S * 5/2015 Daniel D14/307
D751,527 S * 3/2016 Hinokio D14/204
D776,659 S * 1/2017 Hou D14/433

* cited by examiner

Primary Examiner — Austin Murphy
(74) *Attorney, Agent, or Firm* — Richards Patent Law P.C.

(21) Appl. No.: **29/566,893**
(22) Filed: **Jun. 3, 2016**
(51) **LOC (11) Cl.** **14-02**
(52) **U.S. Cl.**
USPC **D14/433; D14/385**
(58) **Field of Classification Search**
USPC D18/4.4, 4.5, 4.6, 12, 12.1, 12.3;
D14/383, 384, 385, 386, 378
CPC G06K 19/07749; G06K 19/0723; G06K 19/041;
G06K 19/07758; G06K 19/0775; G06K 19/07783;
G06K 19/07794; G06K 19/06046; G06K 19/07722; G06K 19/07773;
G06K 19/07779; G06K 19/07784; G06K 19/07786; G06K 19/0709
See application file for complete search history.

(57) **CLAIM**

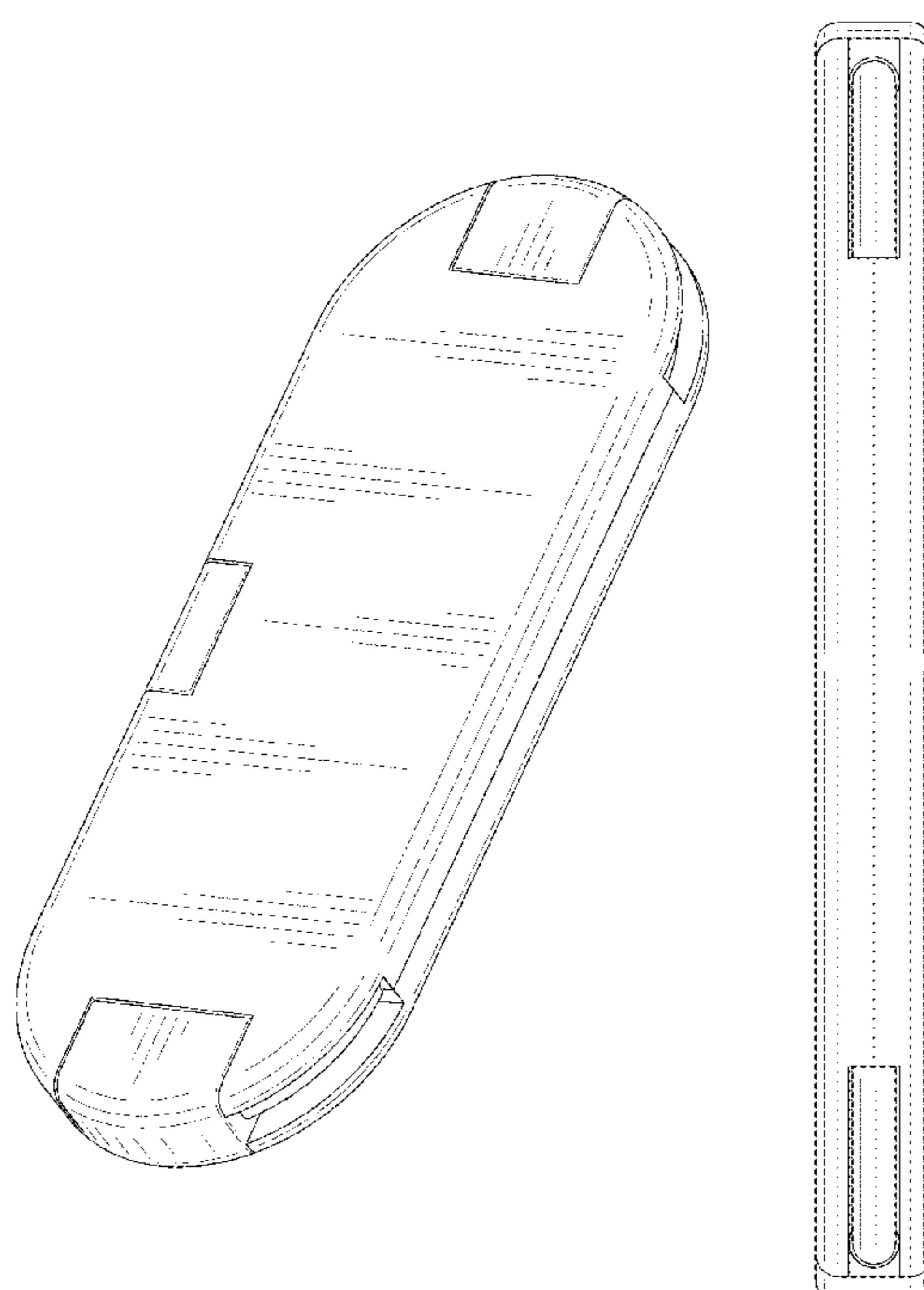
The ornamental design for a 2 in 1 USB cable, as shown and described.

DESCRIPTION

FIG. 1 is a perspective view of a 2 in 1 USB cable showing my new design in an unextended position;
FIG. 2 is a front view thereof;
FIG. 3 is a back view thereof;
FIG. 4 is a left side view thereof;
FIG. 5 is a right side view thereof;
FIG. 6 is a top view thereof;
FIG. 7 is a bottom view thereof; and,
FIG. 8 is a perspective view of a 2 in 1 USB cable in an extended position.
Those portions of the figures that are presented in broken lines merely illustrate the environment of the design and are not part of the claimed design.

(56) **References Cited**
U.S. PATENT DOCUMENTS
D481,374 S * 10/2003 Lee D14/188
D591,270 S * 4/2009 Jakobson D14/217

1 Claim, 6 Drawing Sheets



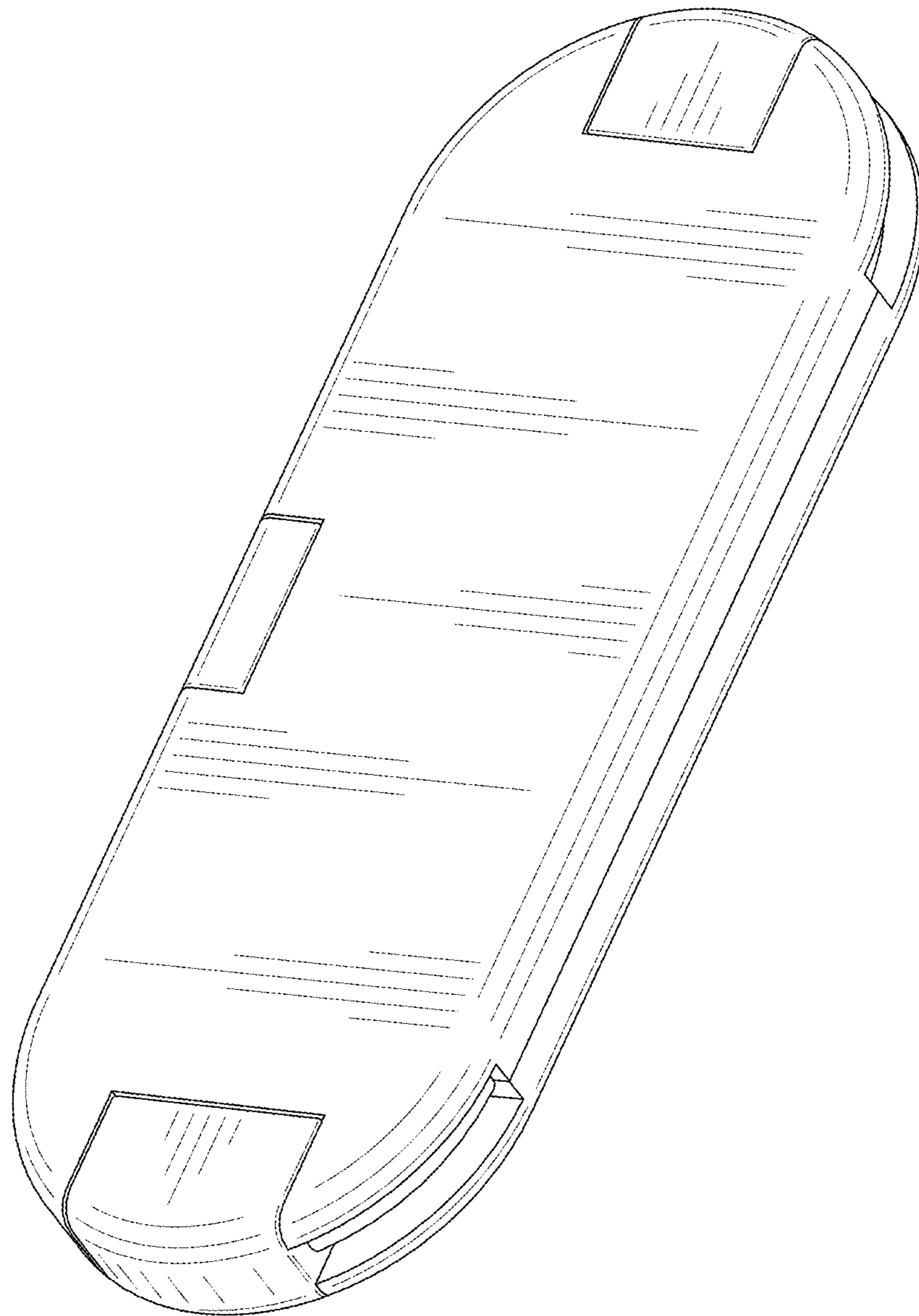


FIG. 1

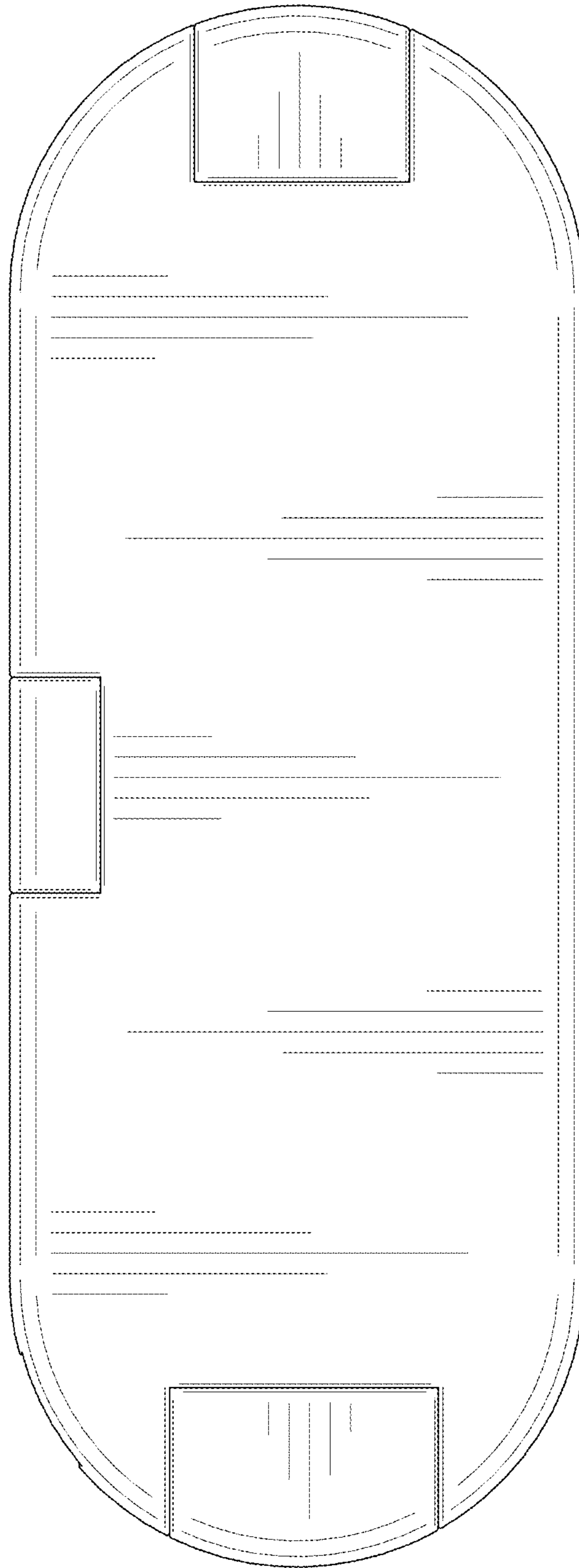


FIG. 2

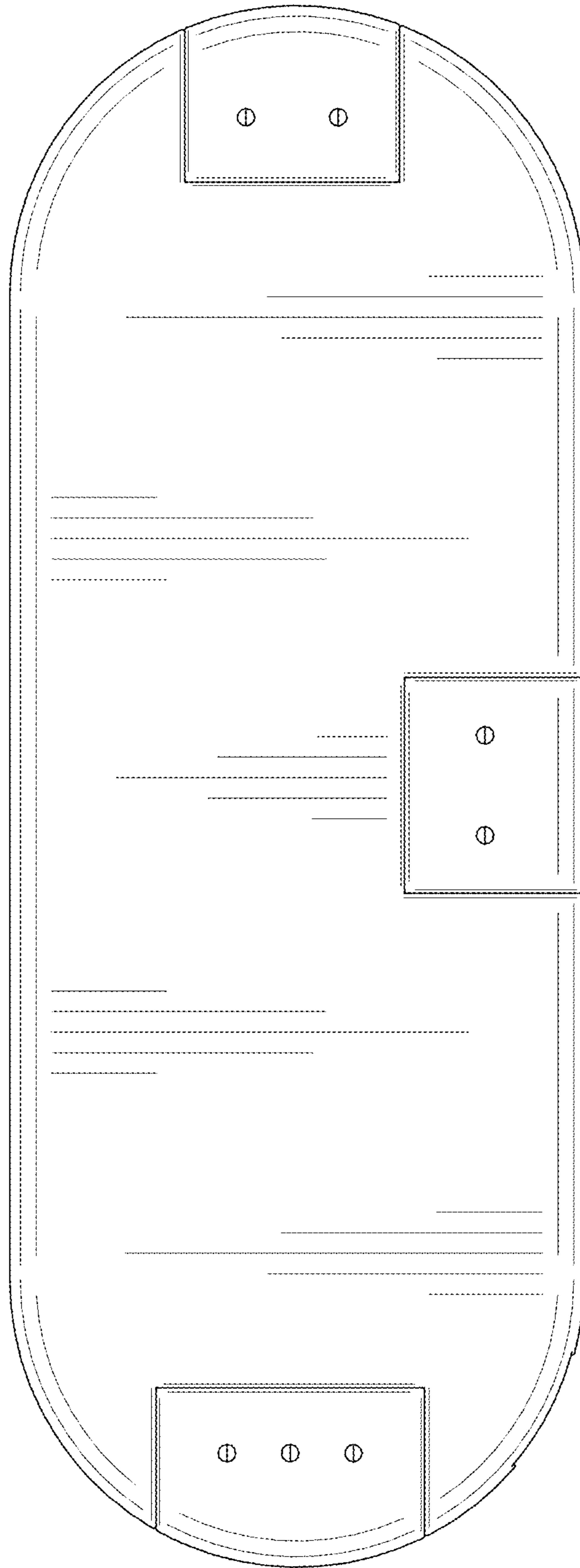


FIG. 3

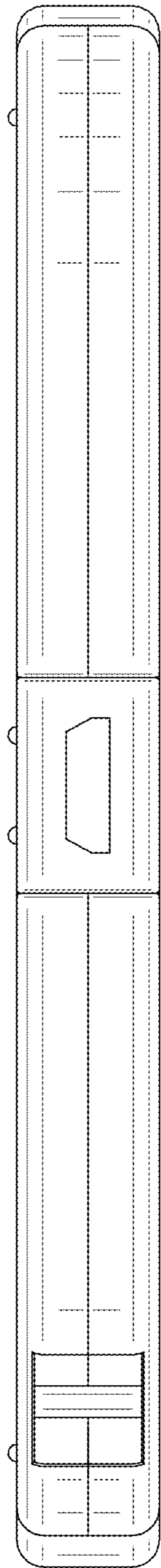


FIG. 4

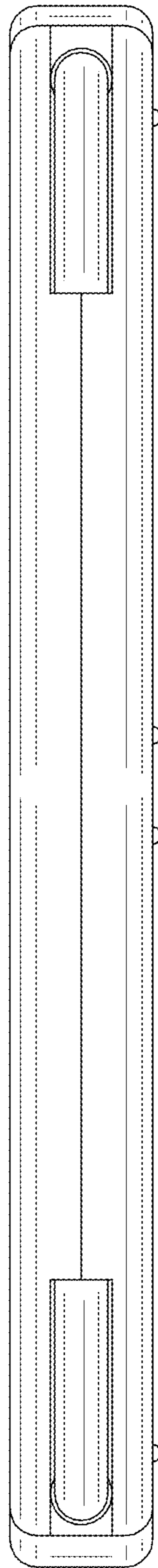


FIG. 5

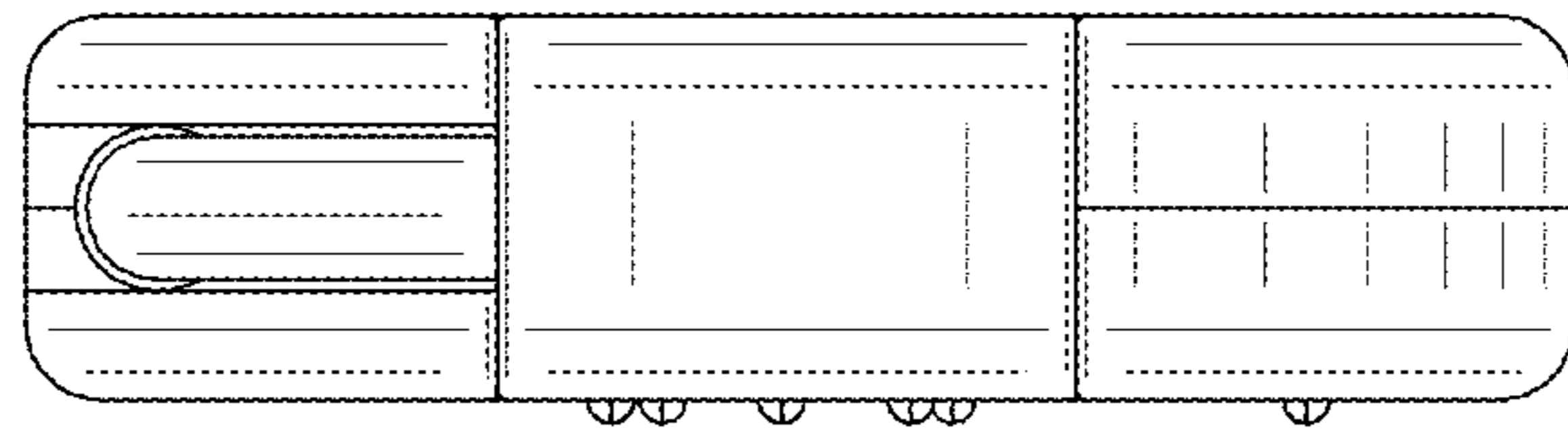


FIG. 6

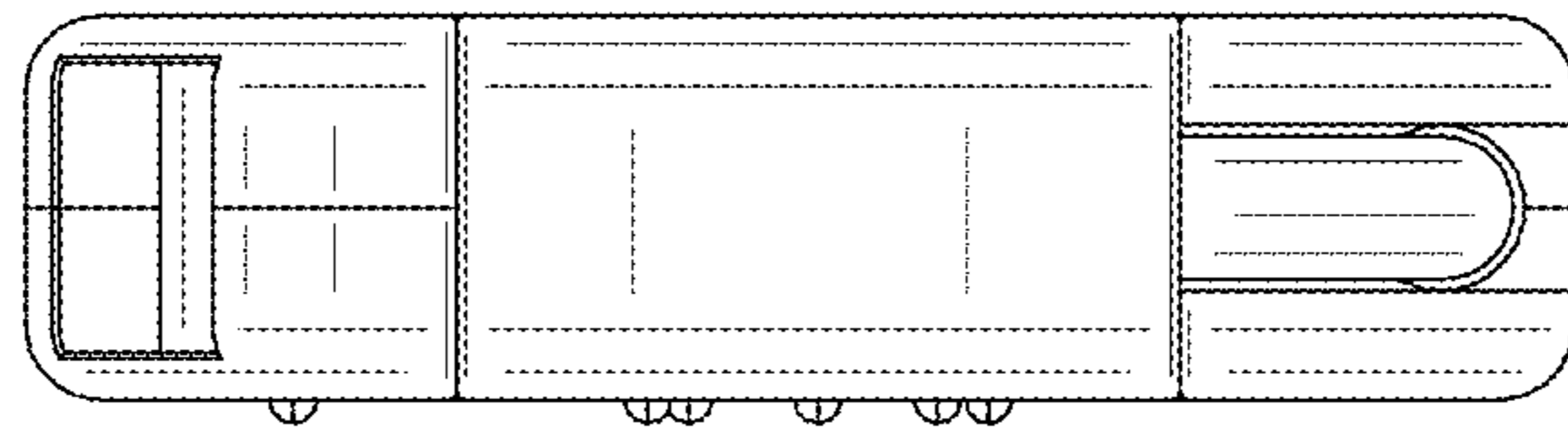


FIG. 7

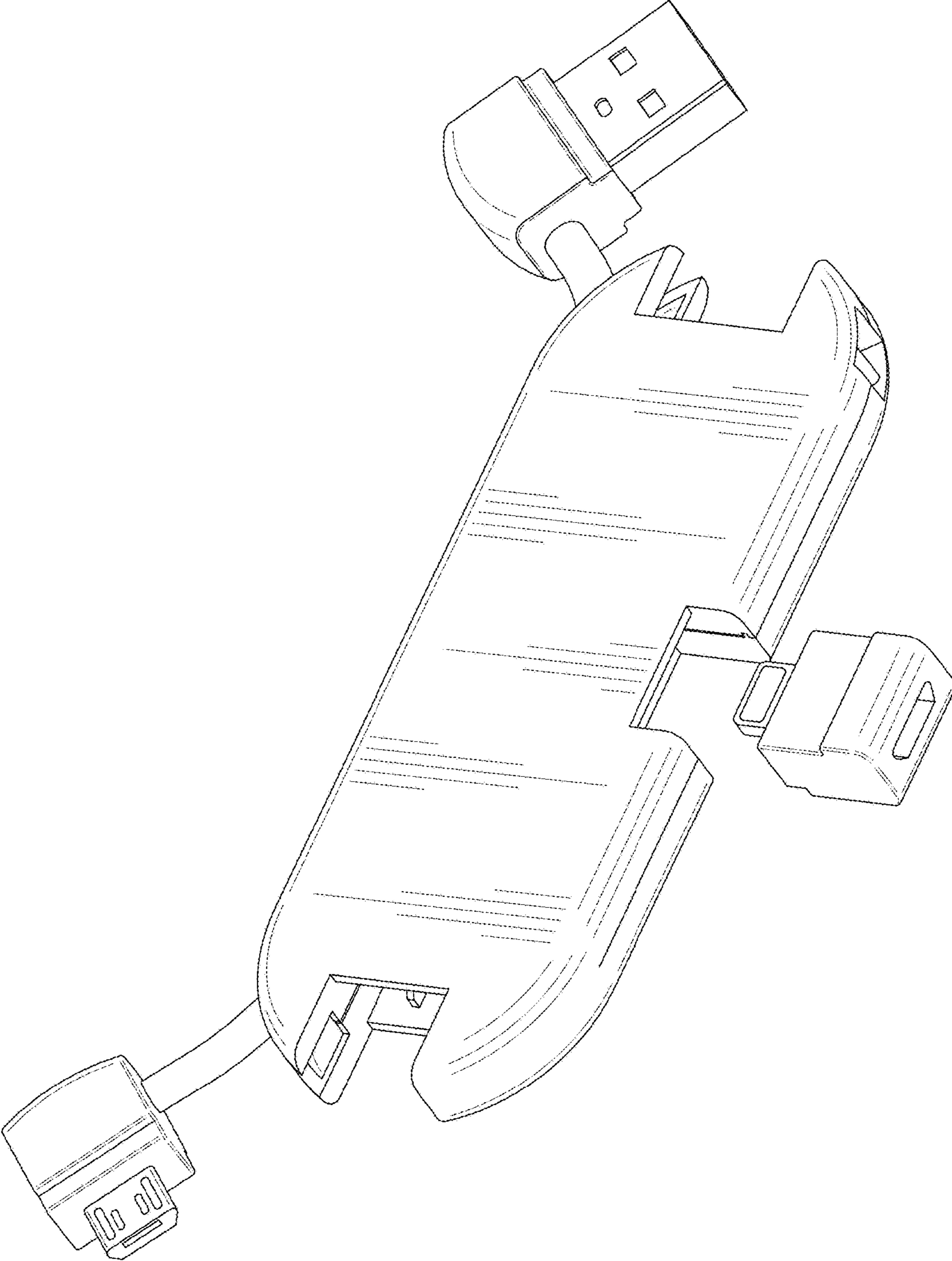


FIG. 8