



US00D808391S

(12) **United States Design Patent** (10) **Patent No.:** **US D808,391 S**  
**Schooneveldt et al.** (45) **Date of Patent:** **\*\* Jan. 23, 2018**

(54) **SCANNER FOR HAND-HELD INVENTORY DATA COLLECTION DEVICE**

(71) Applicant: **RGIS, LLC**, Auburn Hills, MI (US)

(72) Inventors: **Gregory Paul Schooneveldt**, Melbourne (AU); **David Allen Gehrke**, Shelby Township, MI (US); **Thomas Michael Stelman**, Utica, MI (US); **Michael Paul Lodewyk**, Waterford Township, MI (US); **Eric Shaun Brennan**, Orion Township, MI (US); **Chandran Kizhakkekuttu Parameswaran**, Kerala (IN); **Anumod Kariyath Sreedharan**, Kerala (IN); **Jiju Koratten**, Kerala (IN)

(73) Assignee: **RGIS, LLC**, Auburn Hills, MI (US)

(\*\*) Term: **15 Years**

(21) Appl. No.: **29/543,787**

(22) Filed: **Oct. 28, 2015**

(51) **LOC (11) Cl.** ..... **14-02**

(52) **U.S. Cl.**  
USPC ..... **D14/426**

(58) **Field of Classification Search**  
USPC ..... D14/420, 426-430, 453, 346, 341, 347, D14/412, 138; D13/107, 184; 358/473; 235/462.43, 462.45, 462.47, 462.48, 235/462.44, 462.46, 487, 472.01, 472.02, 235/145 A, 145 R; D10/78, 57, 2, 46, 52, D10/53, 81; 324/426; D3/273; 710/73;  
(Continued)

(56) **References Cited**

**U.S. PATENT DOCUMENTS**

D248,946 S 8/1978 Koenig  
D292,401 S 10/1987 Lee et al.  
(Continued)

**OTHER PUBLICATIONS**

U.S. Appl. No. 29/543,784, filed Oct. 28, 2015, Gregory Paul Schooneveldt, et al.

*Primary Examiner* — Susan Moon Lee

(74) *Attorney, Agent, or Firm* — Harness, Dickey & Pierce, P.L.C.

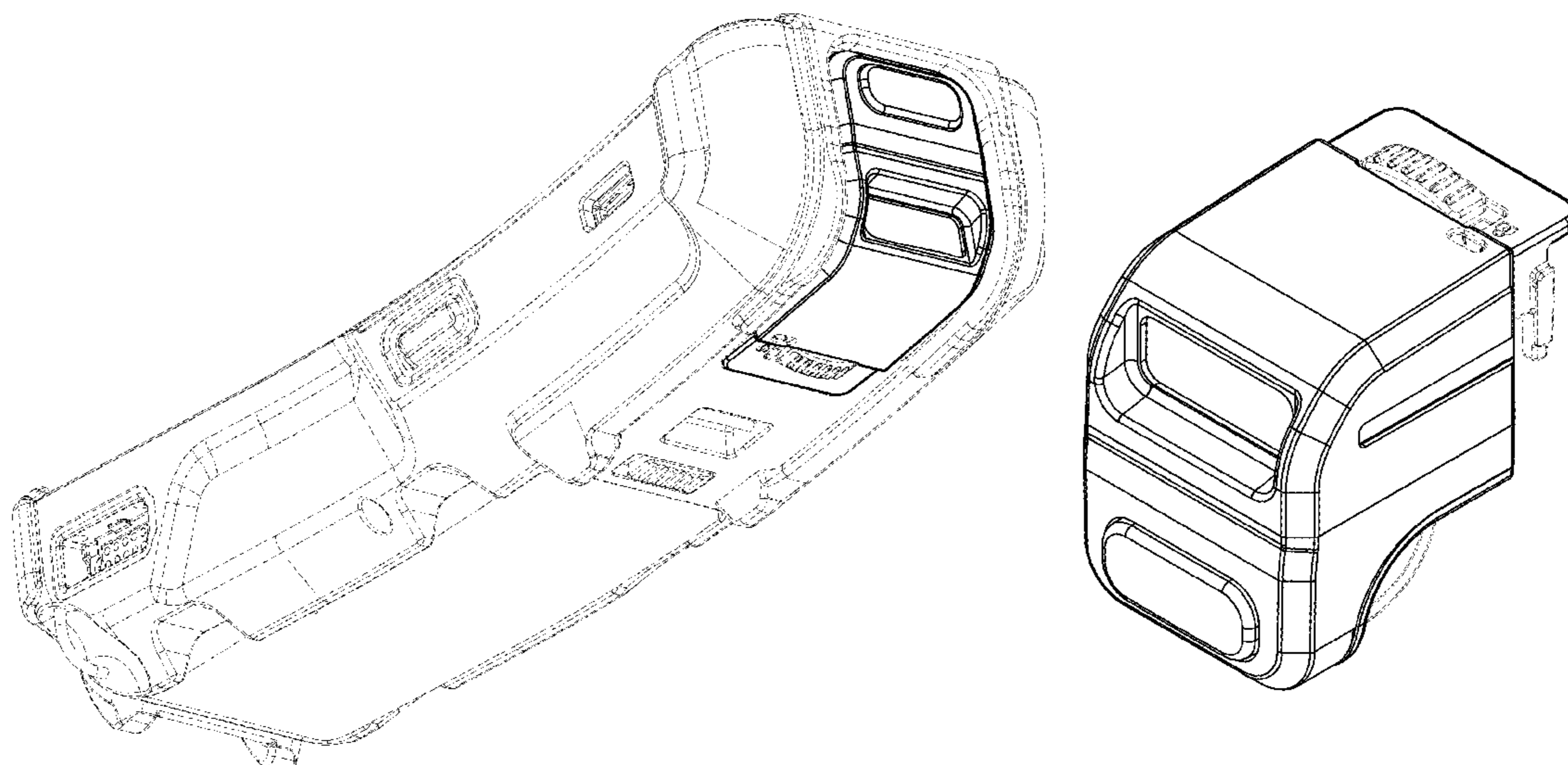
(57) **CLAIM**

The ornamental design for a scanner for a hand-held inventory data collection device, as shown and described.

**DESCRIPTION**

FIG. 1 is a perspective view of an embodiment of a scanner for a hand-held inventory data collection device, shown attached to the hand-held inventory data collection device; FIG. 2 is another perspective view of the embodiment, shown detached from the hand-held inventory data collection device and from a top back left corner of the embodiment; FIG. 3 is another perspective view of the embodiment, shown detached from the hand-held inventory data collection device and from a top front right corner of the embodiment; FIG. 4 is a left side elevational view of the embodiment; FIG. 5 is a front side elevational view of the embodiment; FIG. 6 is a right side elevational view of the embodiment; FIG. 7 is a back side elevational view of the embodiment; FIG. 8 is a top side elevational view of the embodiment; and, FIG. 9 is a bottom side elevational view of the embodiment. In the various embodiments, the broken lines are included for the purpose of illustrating portions of the article that form no part of the claimed design for that embodiment.

**1 Claim, 5 Drawing Sheets**





# US D808,391 S

(58) **Field of Classification Search**

USPC ..... D18/7; 361/679, 728, 679.56; 382/313, 382/321; 455/575.1, 561, 572, 41.2; 345/156, 168, 169, 172, 173, 87; 705/17, 705/18, 22-25; D16/206, 218, 202, 219, D16/208, 209; 356/328; 396/419, 423, 396/424; 374/130, 100, 121, 102, 141, 374/124, 170, 104, 103; 702/130, 135; 348/164, 165, 149, 333.01, 333.11, 348/E5.043, E5.047, E5.09, 33, 82, 348/E5.028, 347, 373, 374, 375; 250/330, 351, 353, 332, 334, 358.1, 250/316.1, 338.1; 600/549, 474, 413, 600/473, 200, 184

CPC ..... G06F 1/626; G06F 1/1626; G06F 1/1656; G06F 1/1632; G06F 1/1684; G06F 1/1635; G06F 8/63; G06F 17/30091; G06F 9/4401; G06K 7/10881; G06K 7/1098; G06K 7/10722; G06K 7/1404; G06K 7/0004; G06K 7/10633; G06K 7/10851; G06K 7/1091; G06K 7/1092; G06K 7/1093; G06K 7/10; G06K 7/109; G06K 7/1417; G06K 9/228; G06K 17/0022; G06K 17/00; G06K 2207/1011; G06K 2207/1013; G06K 2207/1016; G06K 2207/1018; G06K 2017/0051; G06K 2017/0067; G06K 2007/10524; G07G 1/0081; G07G 1/009; G06Q 20/20; G06Q 20/201; G06Q 20/202; G06Q 20/203; G06Q 20/30; G06Q 20/32; G06Q 20/322; G06Q 20/4014; G06Q 10/087; H04N 1/00127; H04N 1/00135; H04N 1/00326; H04N 1/00334; H04N 1/00307; H04N 1/107; H04N 2201/0084; H04N 2101/00; H04N 5/332; H04N 5/33; H04N 5/2251; H04N 5/2258; H04N 5/2256; H04N 5/23293; H04N 5/23203; H04N 5/2254; H04N 5/2252; H04N 5/2253; H04N 5/23229; H04N 5/3651; H04M 1/0249; H04M 1/0262; H04M 1/0266; H04M 1/18; H04M 1/23; H04M 1/236; H04B 1/3827; H04B 1/3833; H04B 1/3877; H04B 1/3883; H04B 1/3888; H04B 2001/3894; H01M 2/1066; G01J 5/025; G01J 5/0265; G01J 5/026; G01J 5/027; G01J 5/02; G01J 5/06; G01J 5/08; G01J 5/04; G01J 5/12; G01J 5/00; G01J 5/18; G01J 5/0834; G01J 5/522; G01J 5/0806; G01J 5/028; G01J 2005/0077; G01J 2005/0081; G02B 7/08; G02B 7/04; G01K 1/02; G01K 3/04; G03B 17/18; G03B 3/02; G03B 3/04; G03B 3/10

See application file for complete search history.

(56)

**References Cited**

U.S. PATENT DOCUMENTS

D299,028 S \* 12/1988 Hermann ..... D10/31  
 D299,463 S \* 1/1989 Hermann ..... D10/31  
 D340,034 S 10/1993 Hofstetter et al.  
 D342,245 S \* 12/1993 Krichever ..... D14/427  
 D344,494 S \* 2/1994 Cardenas ..... D14/344  
 D355,904 S 2/1995 Swartz et al.  
 D357,240 S 4/1995 Kitazumi et al.  
 5,546,471 A \* 8/1996 Merjanian ..... A61B 5/1172  
 356/71

5,550,366 A \* 8/1996 Roustaei ..... G06K 7/10891  
 235/455  
 5,610,386 A \* 3/1997 Ball ..... G06K 7/10891  
 235/412  
 D381,975 S 8/1997 Trausch et al.  
 D383,124 S 9/1997 Lanzaro et al.  
 5,679,943 A 10/1997 Schultz et al.  
 D386,152 S 11/1997 Warneke  
 D391,234 S 2/1998 Chacon et al.  
 D391,250 S \* 2/1998 Swift ..... D14/427  
 5,736,726 A 4/1998 VanHorn et al.  
 5,808,289 A \* 9/1998 Becker ..... G06K 7/10891  
 235/462.01  
 5,831,819 A 11/1998 Chacon et al.  
 5,844,228 A \* 12/1998 Nukui ..... G06K 7/10881  
 200/332.2  
 D414,470 S 9/1999 Chacon et al.  
 D417,445 S 12/1999 Chacon et al.  
 6,039,256 A 3/2000 Konosu et al.  
 6,097,606 A 8/2000 Groves et al.  
 D434,762 S 12/2000 Ikenaga  
 6,181,992 B1 1/2001 Gurne et al.  
 D447,141 S 8/2001 Itoh et al.  
 D462,357 S 9/2002 Jenkins  
 D462,688 S \* 9/2002 Schieffers ..... D14/420  
 D463,425 S 9/2002 Jenkins  
 D477,598 S 7/2003 Mathiowetz et al.  
 6,634,558 B1 \* 10/2003 Patel ..... G06K 7/10891  
 235/462.01  
 D490,731 S 6/2004 Bradford  
 6,986,217 B2 \* 1/2006 Leung ..... D06F 73/00  
 38/77.83  
 D518,482 S \* 4/2006 Hodges ..... D14/426  
 7,161,470 B2 \* 1/2007 Berquist ..... G06K 7/10079  
 340/10.31  
 7,195,162 B2 \* 3/2007 Mazzone ..... G06K 7/10881  
 235/454  
 D544,485 S \* 6/2007 Chen ..... D14/428  
 D554,641 S \* 11/2007 Miller ..... D14/427  
 D574,380 S 8/2008 Freed et al.  
 D600,349 S \* 9/2009 Bell ..... D24/169  
 D601,151 S \* 9/2009 Morris ..... D14/453  
 D613,296 S \* 4/2010 Hattori ..... D14/426  
 7,722,388 B1 \* 5/2010 Michaeli ..... H04M 1/06  
 224/197  
 7,978,314 B2 \* 7/2011 Henschel ..... G01C 3/02  
 356/4.01  
 D654,597 S \* 2/2012 Hiramura ..... D24/186  
 D658,174 S \* 4/2012 Tasselli ..... D14/347  
 D659,564 S \* 5/2012 Baxter ..... D10/65  
 D659,839 S \* 5/2012 Anderson ..... D24/186  
 8,196,787 B2 \* 6/2012 Strandberg ..... A45F 5/00  
 2/16  
 D692,004 S \* 10/2013 Man ..... D14/426  
 D719,955 S \* 12/2014 Hsu ..... D14/428  
 D734,336 S \* 7/2015 Mistkawi ..... D14/420  
 D741,927 S \* 10/2015 Li ..... D16/130  
 D755,181 S \* 5/2016 Mistkawi ..... D14/420  
 2001/0003071 A1 \* 6/2001 Mansutti ..... G06F 1/1626  
 439/133  
 2002/0060247 A1 5/2002 Krishnaswamy et al.  
 2006/0054704 A1 \* 3/2006 Fitch ..... G06F 1/1626  
 235/472.01  
 2008/0078838 A1 \* 4/2008 Morris ..... G06K 7/10891  
 235/462.44  
 2009/0266898 A1 \* 10/2009 Miller ..... G06K 7/0004  
 235/472.01  
 2009/0295567 A1 \* 12/2009 Bellows ..... H01Q 1/2216  
 340/539.11  
 2009/0312053 A1 \* 12/2009 An ..... G06K 7/10326  
 455/556.2  
 2012/0187192 A1 \* 7/2012 Lee ..... G06K 7/10891  
 235/462.44  
 2013/0248601 A1 \* 9/2013 Liang ..... G06K 7/083  
 235/440

\* cited by examiner

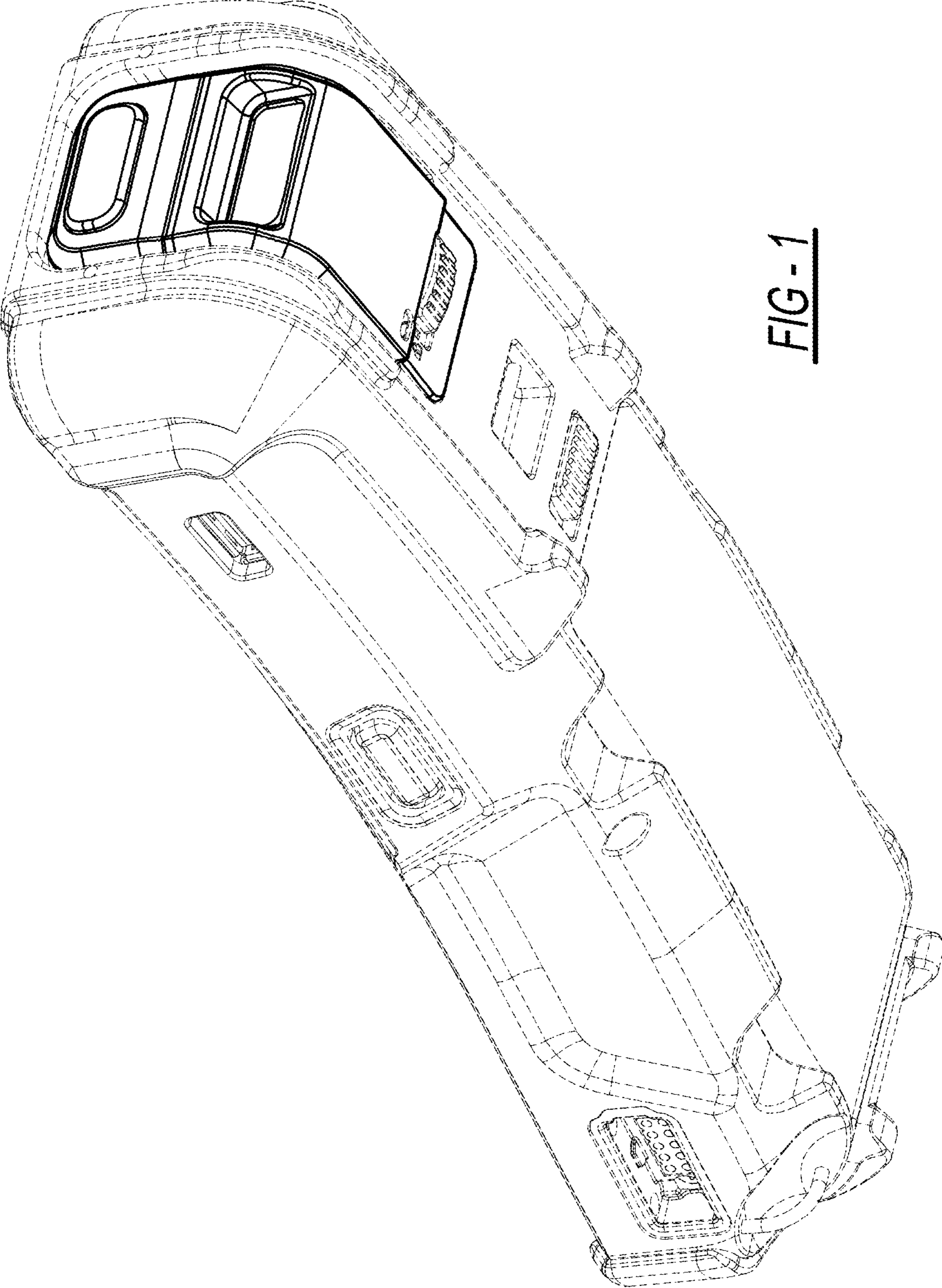


FIG - 1



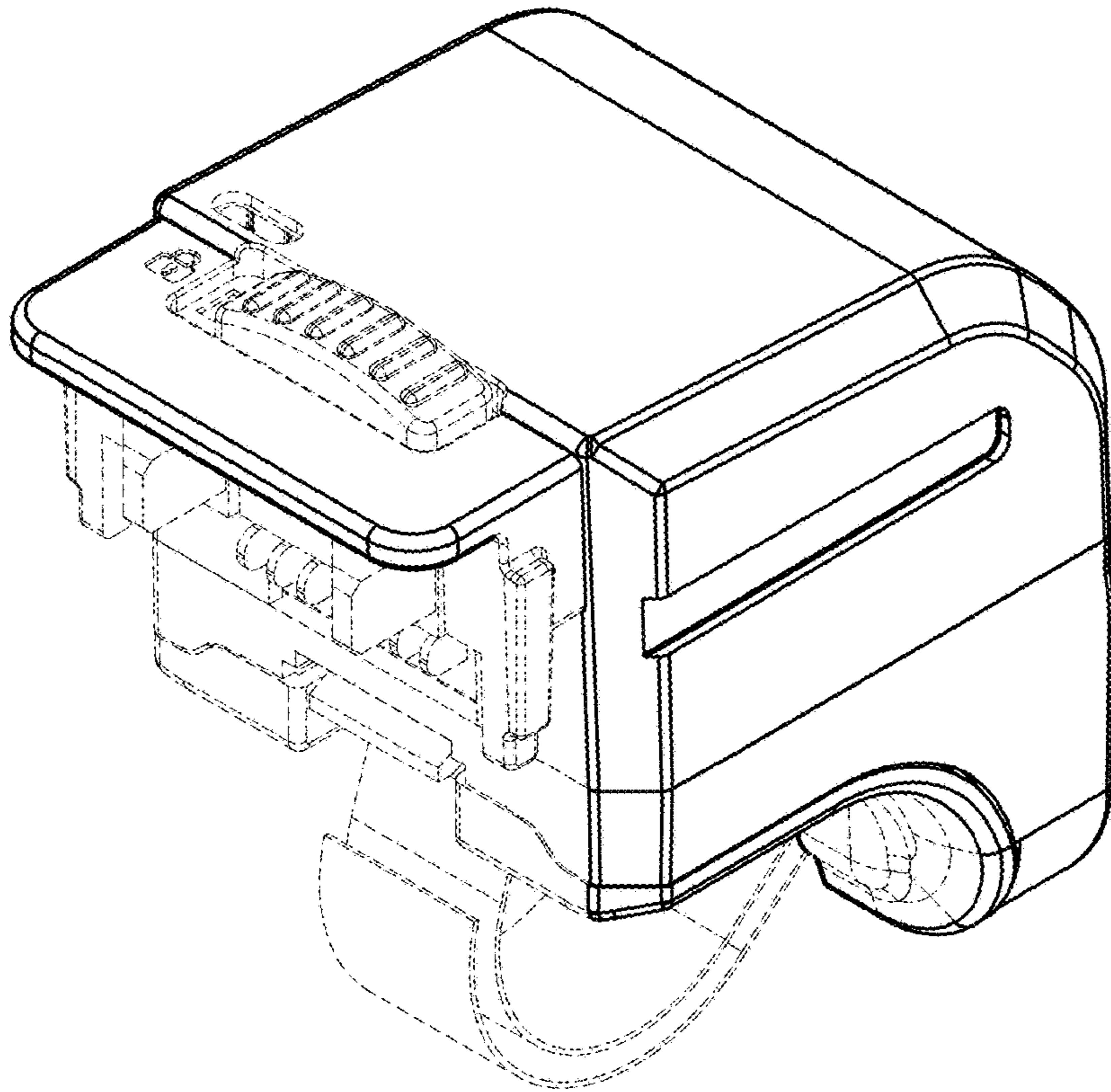


FIG - 2

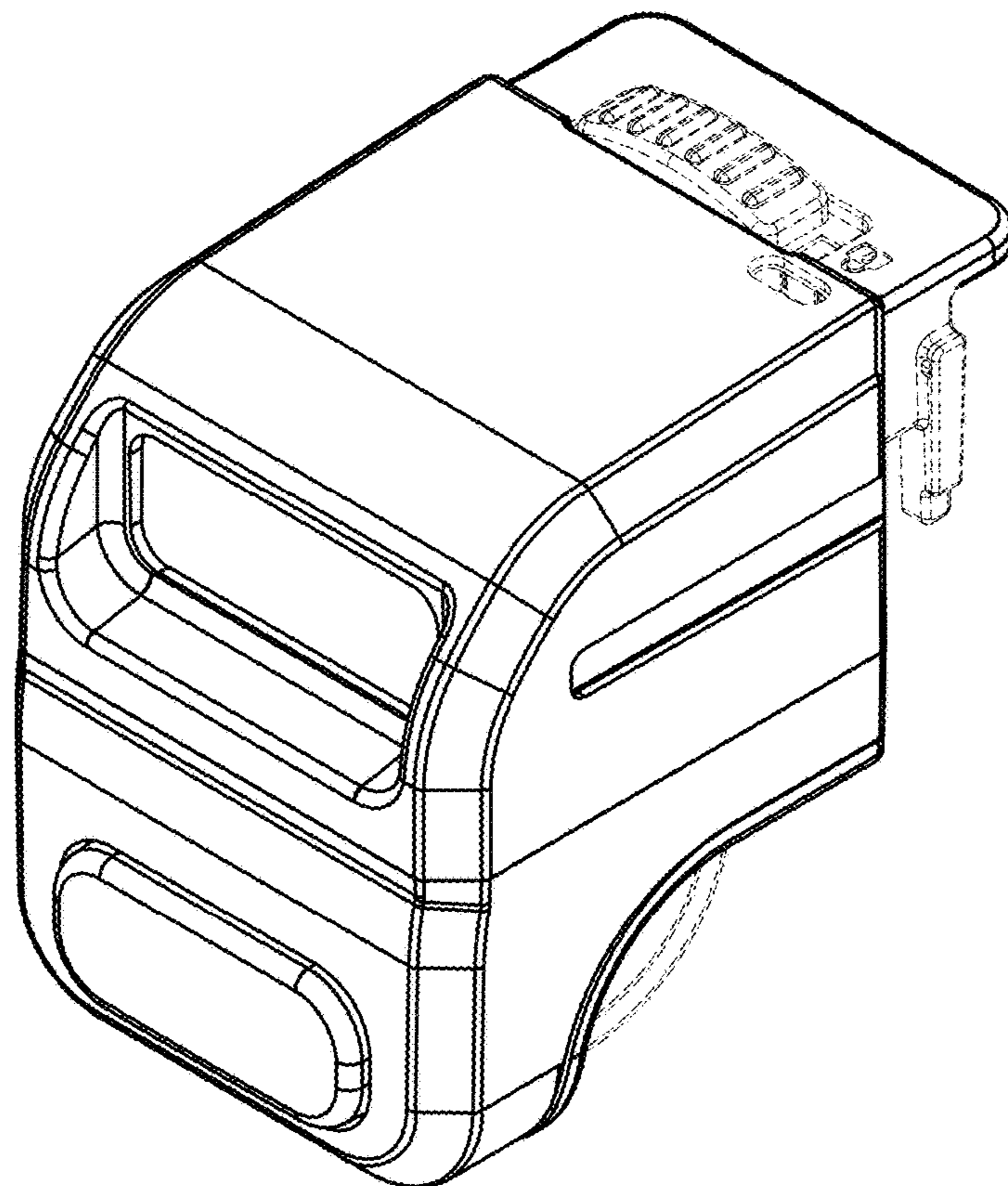


FIG - 3

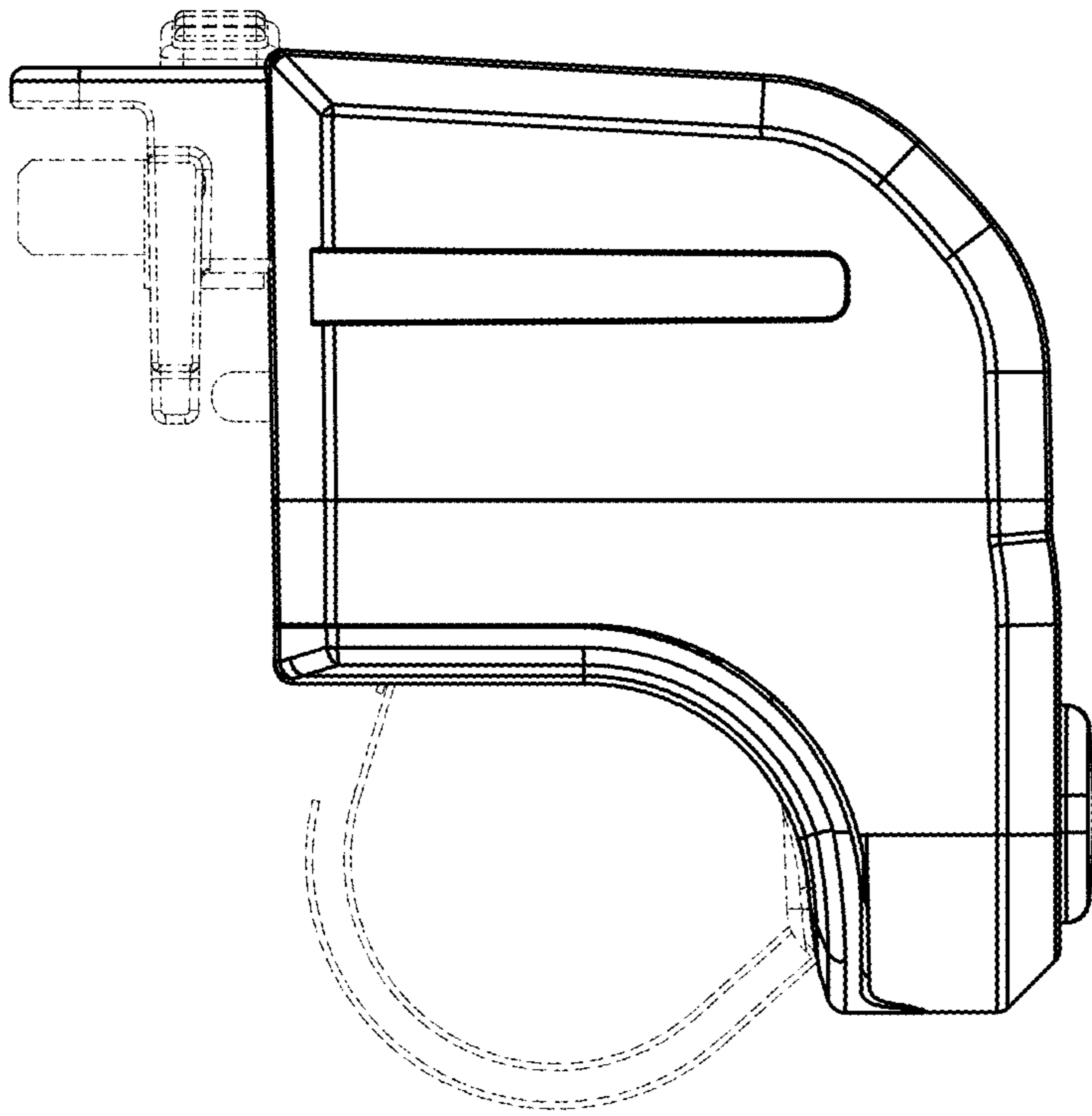


FIG - 4

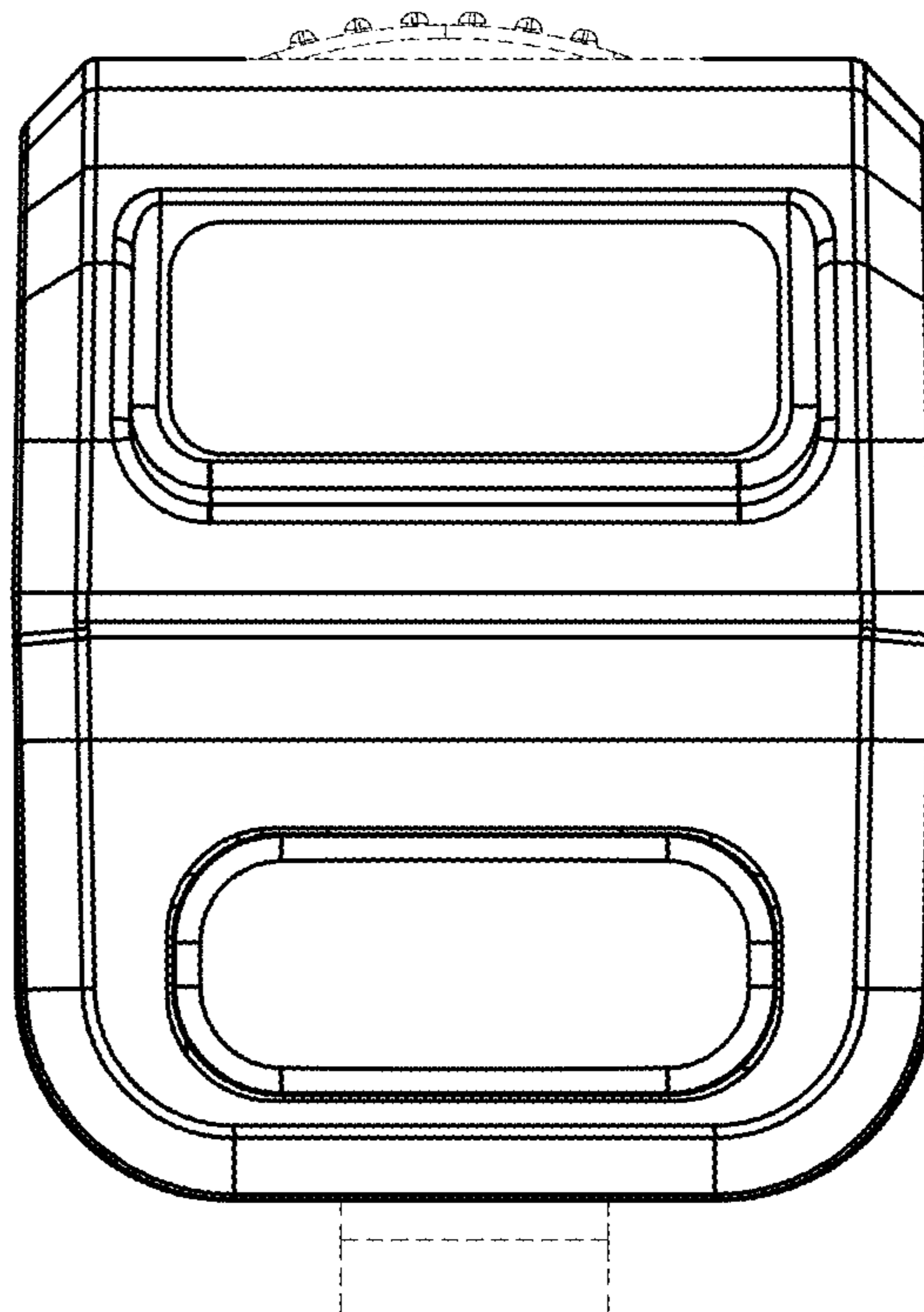


FIG - 5

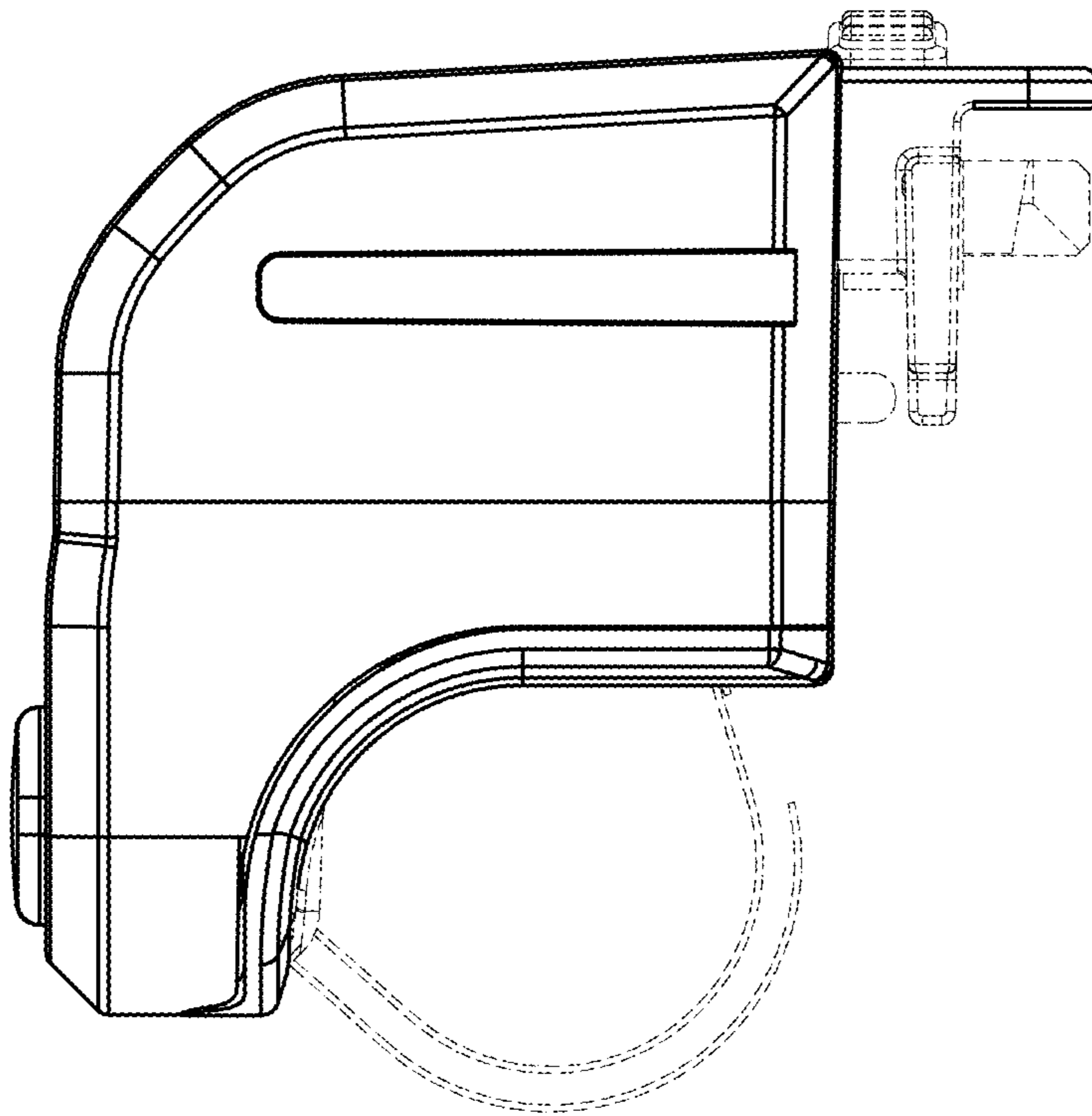
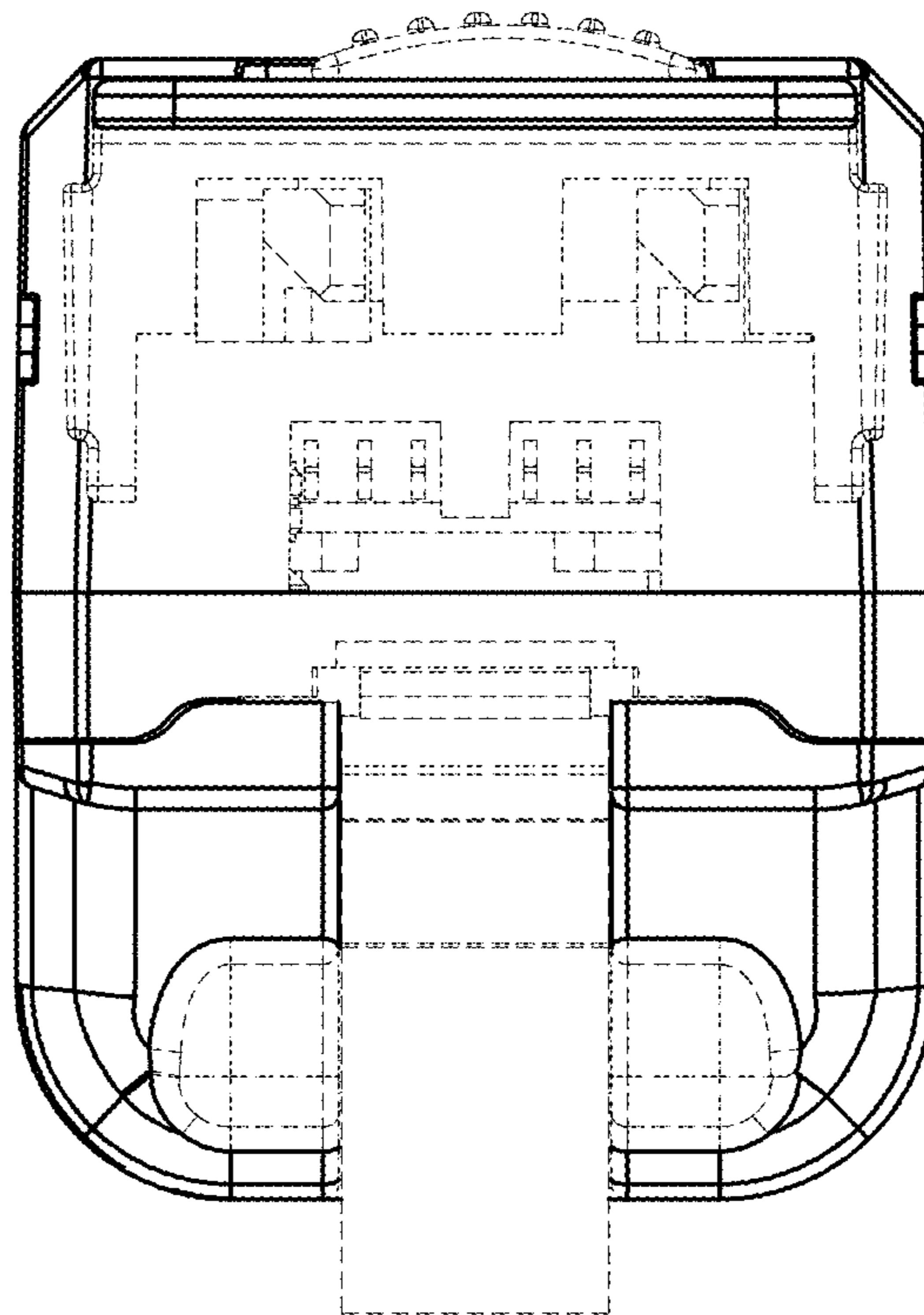


FIG - 6

FIG - 7



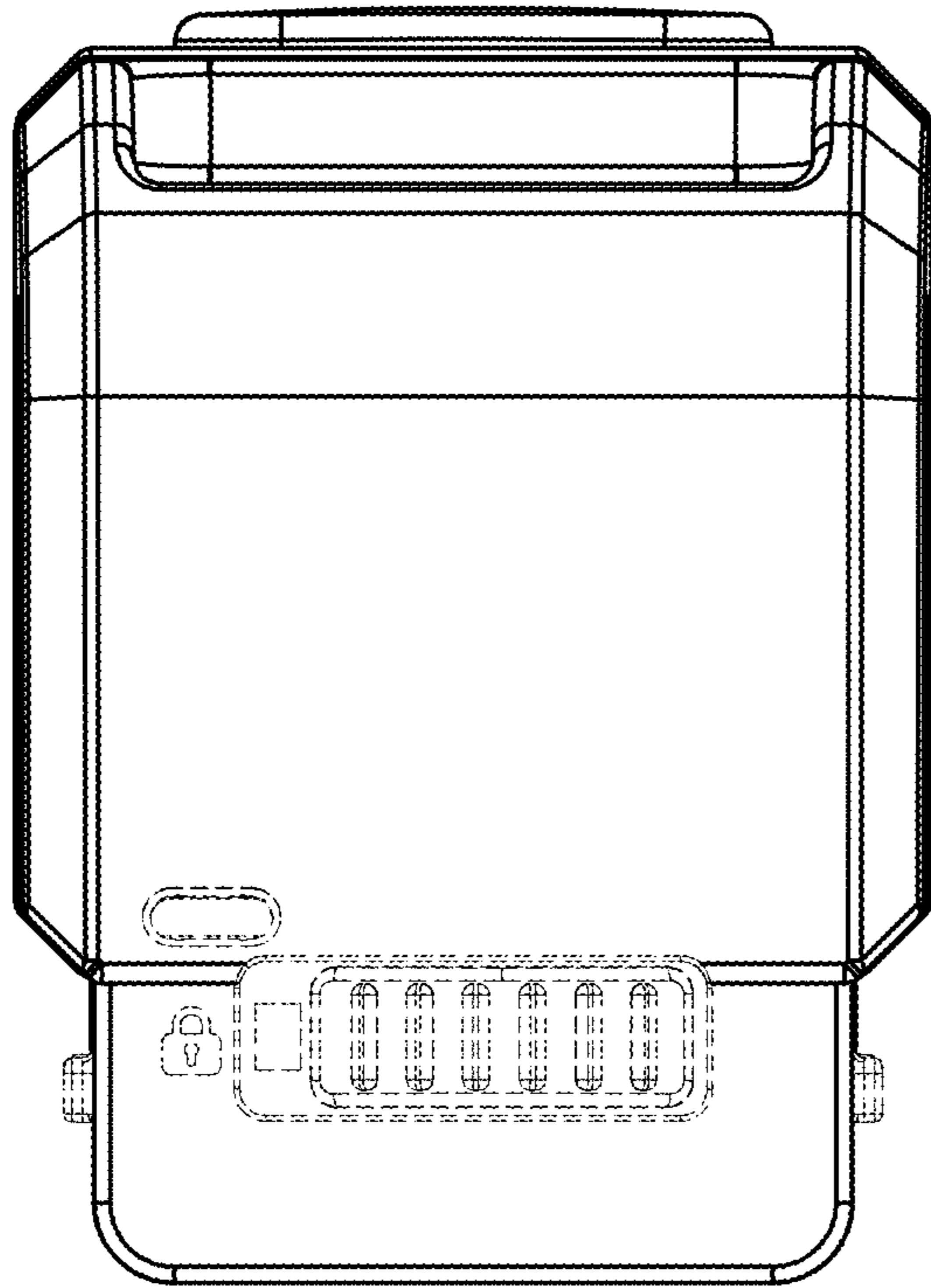


FIG - 8

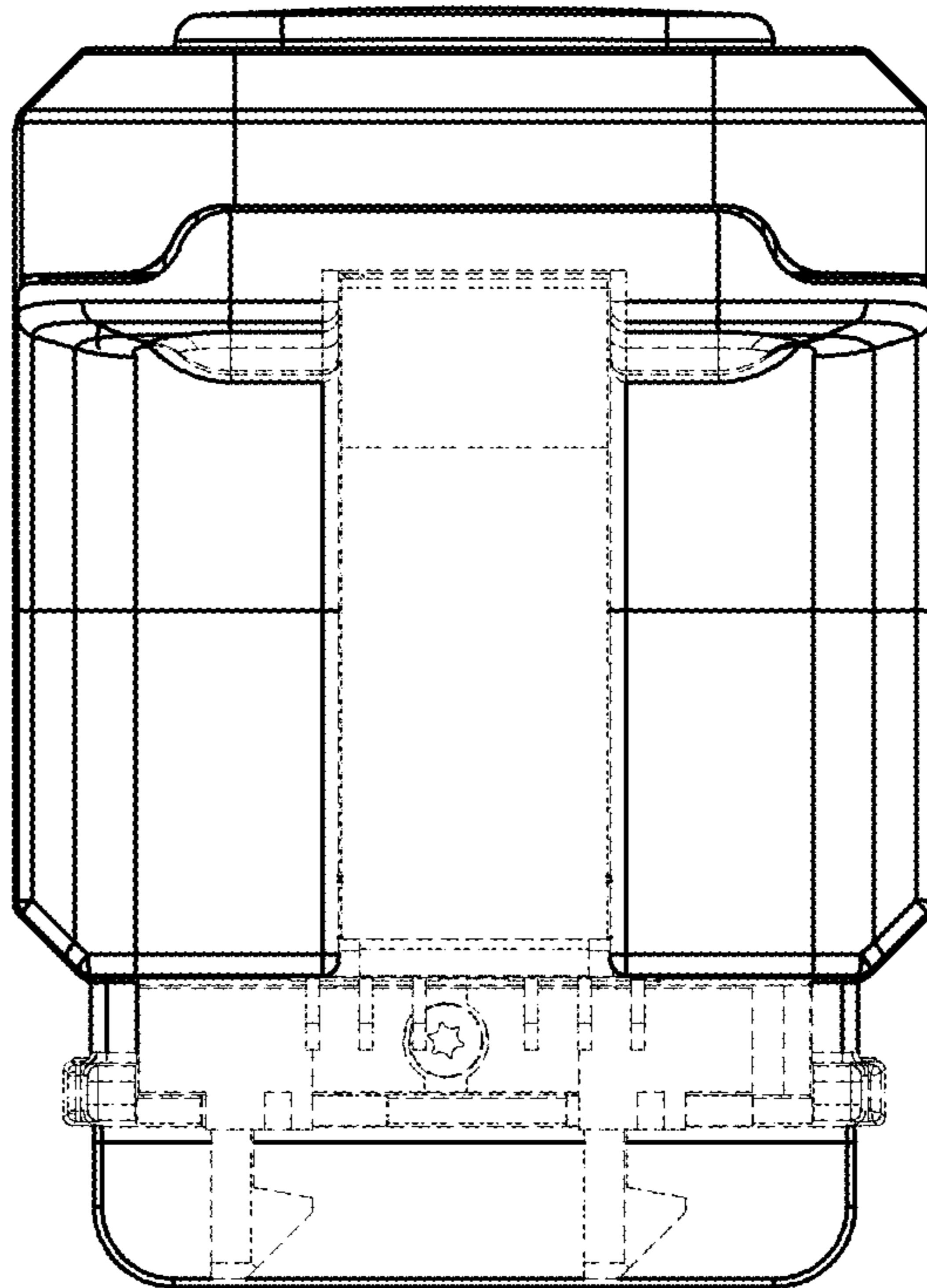


FIG - 9