



US00D808389S

(12) **United States Design Patent** (10) **Patent No.:** **US D808,389 S**
Judge et al. (45) **Date of Patent:** **** Jan. 23, 2018**

(54) **DEVICE FOR NETWORK SECURITY AND MANAGEMENT**

(71) Applicant: **Luma Home, Inc.**, Atlanta, GA (US)
(72) Inventors: **Paul Qantas Judge**, Atlanta, GA (US);
Joshua Rand Terrell, Charlotte, NC (US)
(73) Assignee: **Luma Home, Inc.**, Atlanta, GA (US)
(**) Term: **15 Years**

(21) Appl. No.: **29/561,797**
(22) Filed: **Apr. 20, 2016**
(51) **LOC (11) Cl.** **14-02**
(52) **U.S. Cl.**
USPC **D14/358**; D14/240; D10/104.1
(58) **Field of Classification Search**
USPC D14/356, 357, 358, 361, 362, 365, 367,
D14/370, 388, 432, 434, 203.1, 203.6,
D14/204, 205, 216, 240, 242, 299, 125,
D14/129, 130, 140, 155, 168, 188, 195,
D14/300, 302, 314, 348, 351, 496;
D13/103, 107, 108, 123, 162, 162.1, 163,
D13/168, 184, 199; D10/46, 49, 104.1,
D10/106.1, 106.3, 106.6, 106.9, 116.1,
D10/61, 75, 96
CPC ... H04W 88/08; H04W 88/085; H04W 88/00;
H04W 88/005; H04W 88/02; H04W
88/12; H04W 88/14; H04W 88/16; H04W
88/18;

(Continued)

(56) **References Cited**

U.S. PATENT DOCUMENTS

D262,625 S * 1/1982 Genaro D14/149
D292,926 S * 11/1987 Gillespie D14/242
D340,199 S * 10/1993 Taylor D10/106.1

(Continued)

OTHER PUBLICATIONS

Routers and Modems. (Design—© Questel). orbit.com. [online PDF] 10 pgs. Print Dates range Oct. 4, 2000through Mar. 15, 2017 [retrieved on Jun. 20, 2017] <https://sobjprd.questel.fr/export/QPTUJ214/pdf2/72b86993-ac93-4cf1-8f81-8045adca12cf-170959.pdf>.*

(Continued)

Primary Examiner — Susan Bennett Hattan

Assistant Examiner — Marie D. Fast Horse

(74) *Attorney, Agent, or Firm* — Meunier Carlin & Curfman LLC

(57) **CLAIM**

The ornamental design for a device for network security and management, as shown and described.

DESCRIPTION

FIG. 1 is a perspective view of an device for network security and management showing a top and portions of the sides of our new design.

FIG. 2 is a perspective view showing the top thereof.

FIG. 3 is a perspective view showing the top and another portion of the sides thereof.

FIG. 4 is a perspective view showing a back and portion of the sides thereof.

FIG. 5 is a perspective view showing the top and another portion of the sides thereof with the device in a vertical orientation.

FIG. 6 is a perspective view showing the bottom and another portion of the sides thereof with the device in a vertical orientation.

FIG. 7 is a bottom plan view thereof.

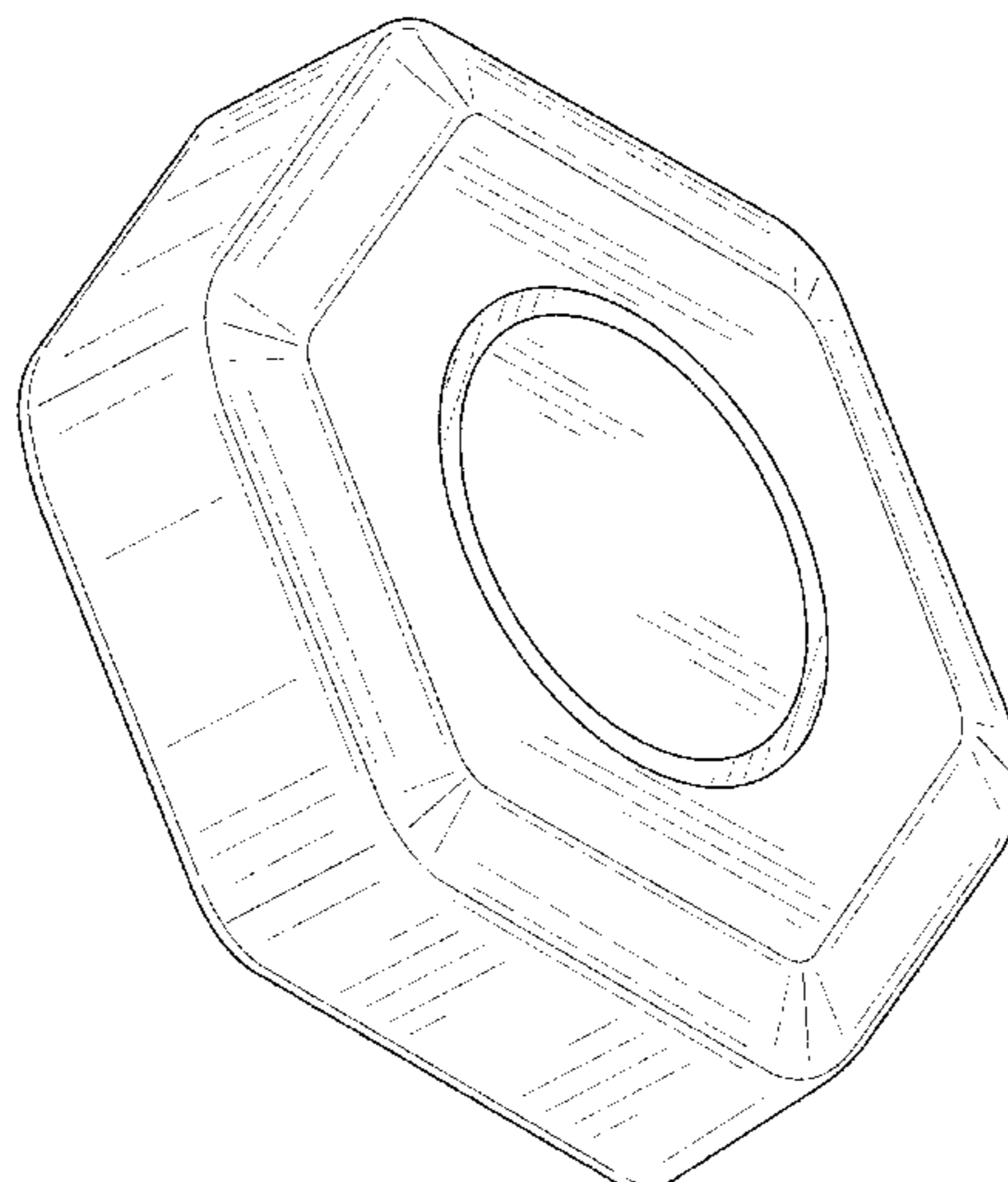
FIG. 8 is a top plan view thereof.

FIG. 9 is a side elevational view thereof; and,

FIG. 10 is a side elevational view thereof with the device in a vertical orientation.

The broken lines in the drawings depict portions of the device for network security and management that form no part of the claim.

1 Claim, 10 Drawing Sheets



- (58) **Field of Classification Search**
 CPC H04W 4/00; H01Q 1/02; H01Q 1/2291;
 H01Q 1/246; H04B 1/38
 See application file for complete search history.

(56) **References Cited**

U.S. PATENT DOCUMENTS

D343,387 S * 1/1994 Keene D13/168
 D404,830 S * 1/1999 Childs D24/224
 D406,542 S * 3/1999 Mik D10/104.1
 D438,856 S * 3/2001 Uehara D14/203.1
 D481,704 S * 11/2003 Shindo D14/188
 D493,169 S * 7/2004 Cheng D14/357
 D513,610 S * 1/2006 Bhakta D14/507
 D518,777 S * 4/2006 Christianson D13/133
 D532,780 S * 11/2006 Proctor, Jr. D14/240
 D561,921 S * 2/2008 Aleksjew D26/37
 D617,667 S * 6/2010 Penix D10/106.9
 D673,512 S * 1/2013 Huang D13/168
 D702,686 S * 4/2014 Gerber D14/433
 D709,396 S * 7/2014 Eidelman D10/106.9
 D716,290 S * 10/2014 Lim D14/314
 D719,507 S * 12/2014 Ogihara D13/108
 D737,165 S * 8/2015 Bjorklund D10/113.1
 D737,825 S * 9/2015 Kumar D14/433
 D740,262 S * 10/2015 Hasegawa D14/240

D744,883 S * 12/2015 Roberts D10/104.1
 D744,884 S * 12/2015 Roberts D10/104.1
 D745,865 S * 12/2015 Hsu D14/240
 D746,165 S * 12/2015 Li D10/104.1
 D746,166 S * 12/2015 Li D10/104.1
 D747,229 S * 1/2016 Perez D10/104.1
 D773,947 S * 12/2016 Scarcella D10/104.1
 D784,307 S * 4/2017 Yoon D14/240
 D785,608 S * 5/2017 Weaver D14/240
 2014/0145890 A1* 5/2014 Ramberg H01Q 9/28
 343/726

OTHER PUBLICATIONS

Lumas Mesh-Network Router Lets You Monitor Connections—
 Recode. recode.net. (online) 1 pg. posted Nov. 5, 2015, [retrieved on
 Dec. 4, 2016] [http://www.recode.net/2015/11/5/11620400/lumas-
 mesh-network-router-lets-you-monitor-connections](http://www.recode.net/2015/11/5/11620400/lumas-mesh-network-router-lets-you-monitor-connections).*
 Luma The All-In-One WiFi Solution_Computer Hardware
 Reviews—ThinkComputers.org. (online) 8pgs. posted Jan. 2016,
 [retrieved on Jun. 20, 2017] [http://www.thinkcomputers.org/luma-
 the-all-in-one-wifi-solution/](http://www.thinkcomputers.org/luma-the-all-in-one-wifi-solution/).*
 Luma Surround WiFi review. cnet.com. (online) 1pg. posted Feb.
 14, 2017, [retrieved on Jun. 20, 2017]. [https://www.cnet.com/
 products/luma-surround-wifi/review/](https://www.cnet.com/products/luma-surround-wifi/review/).*

* cited by examiner

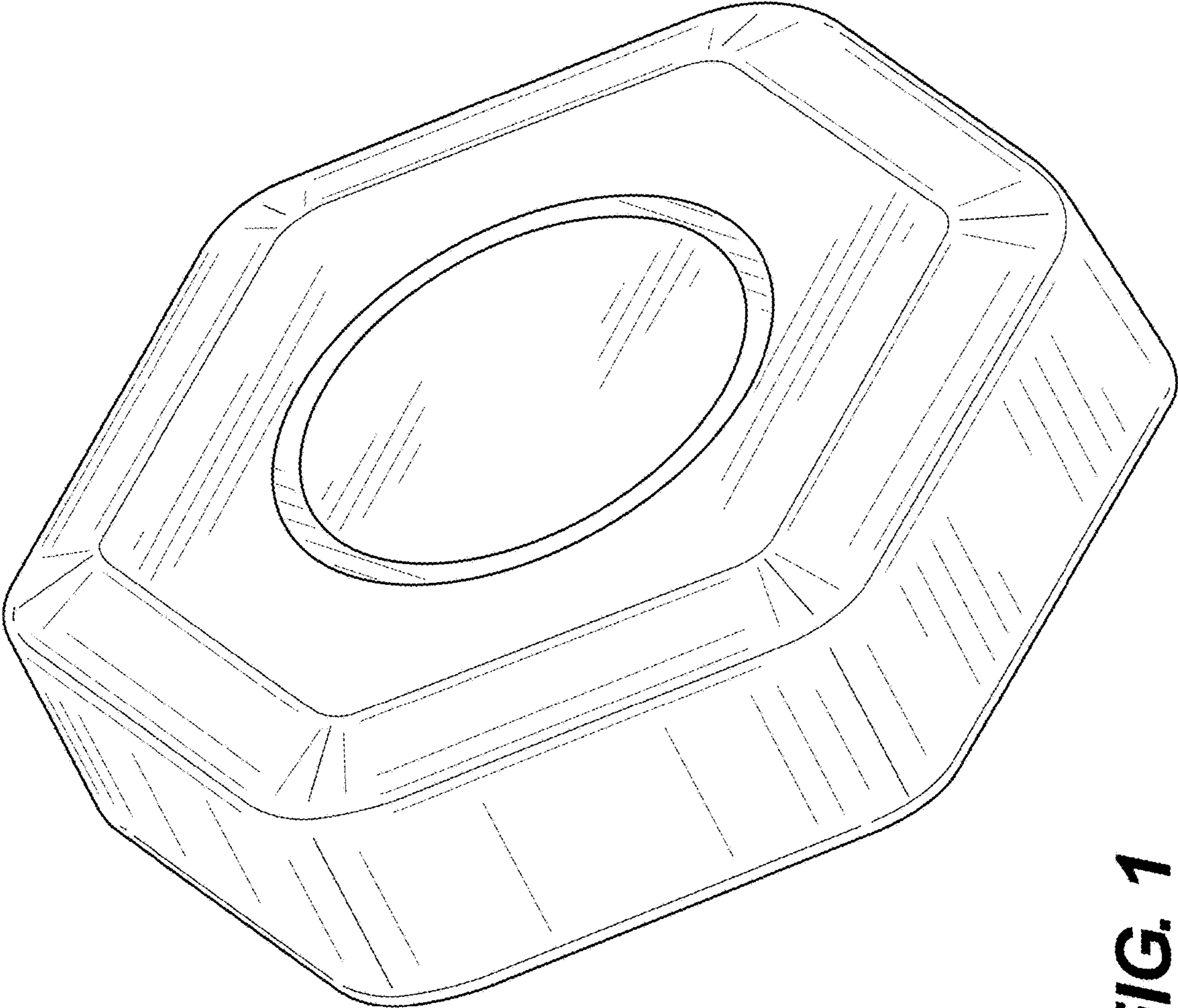


FIG. 1

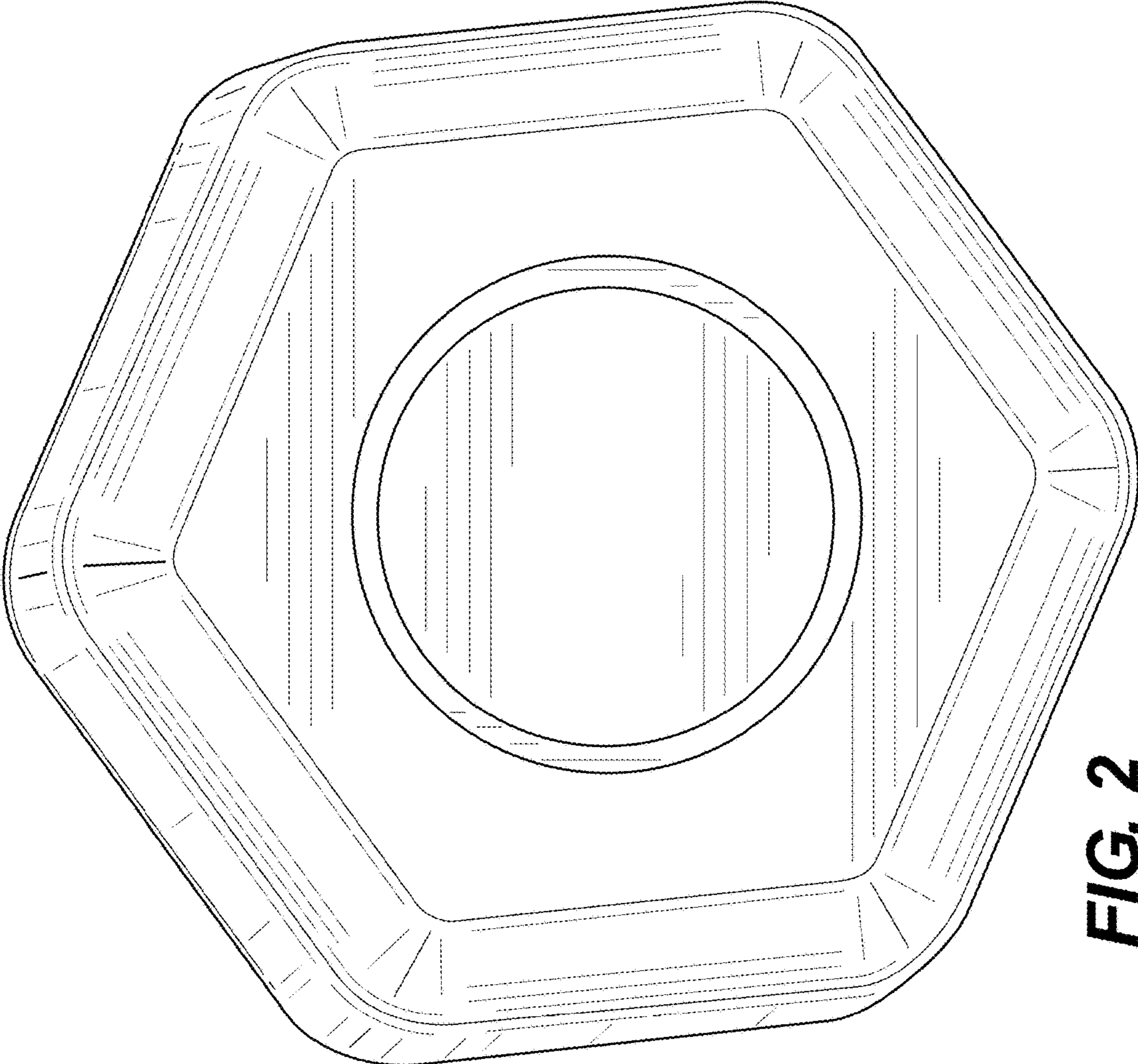


FIG. 2

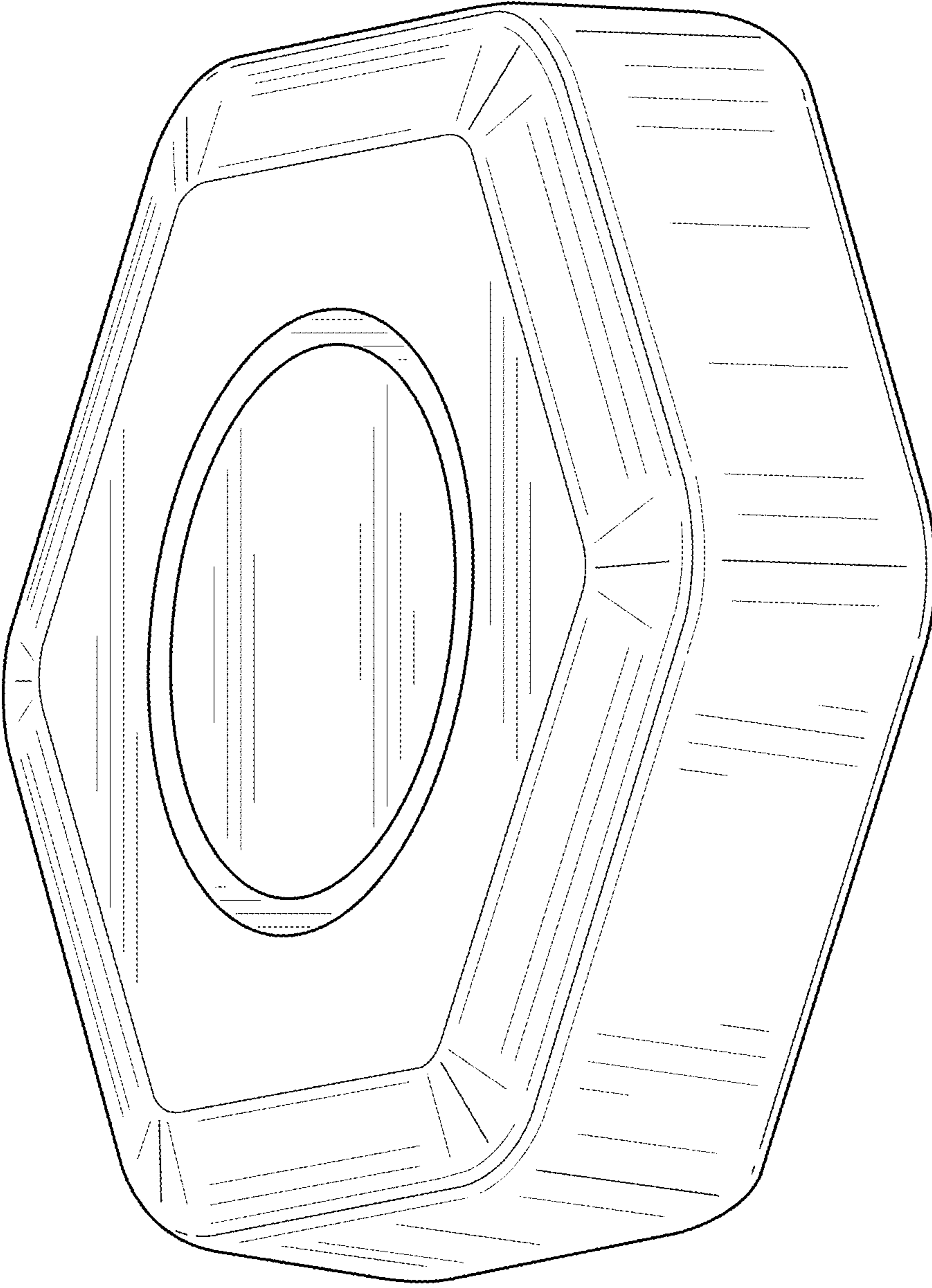


FIG. 3

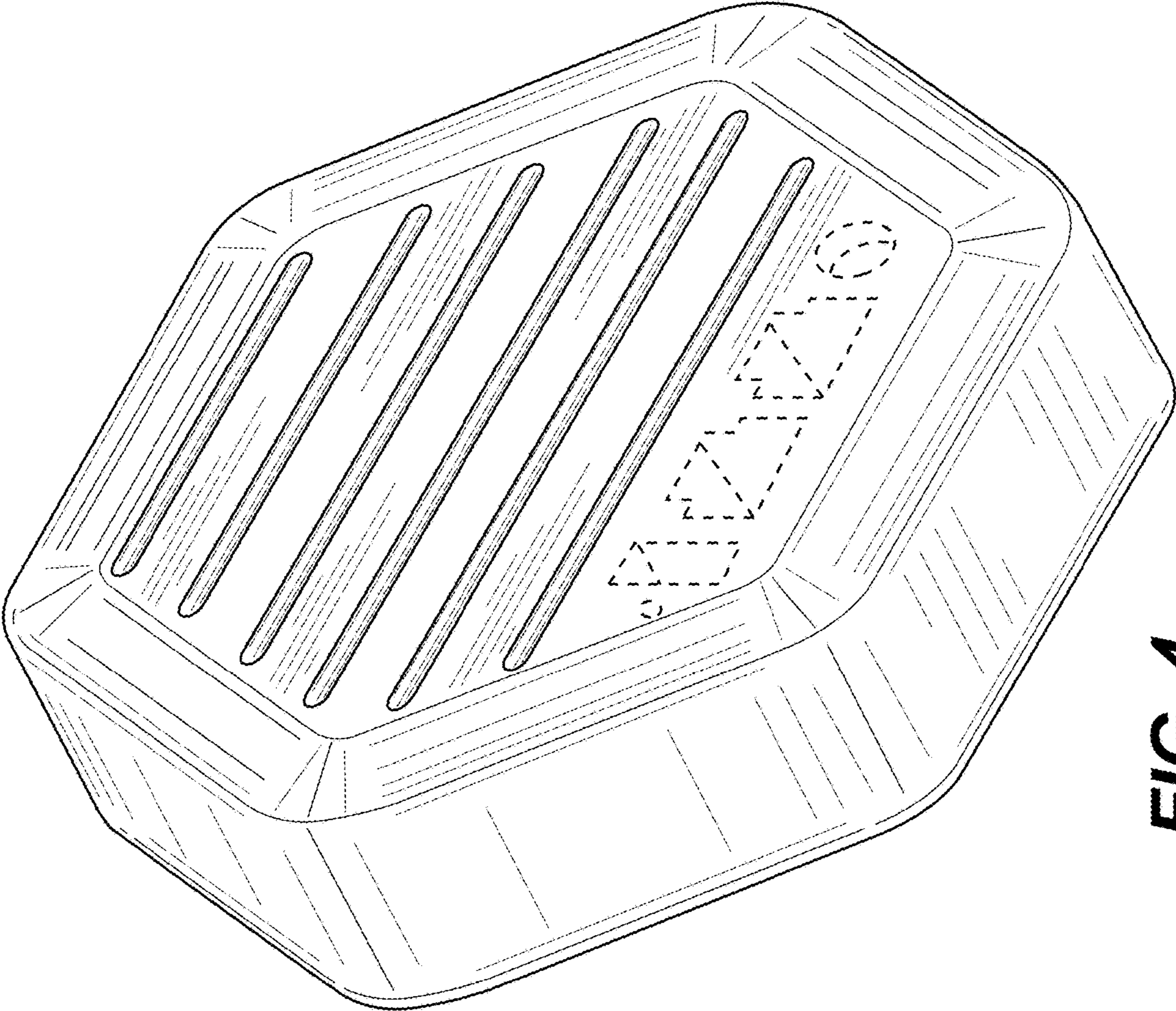


FIG. 4

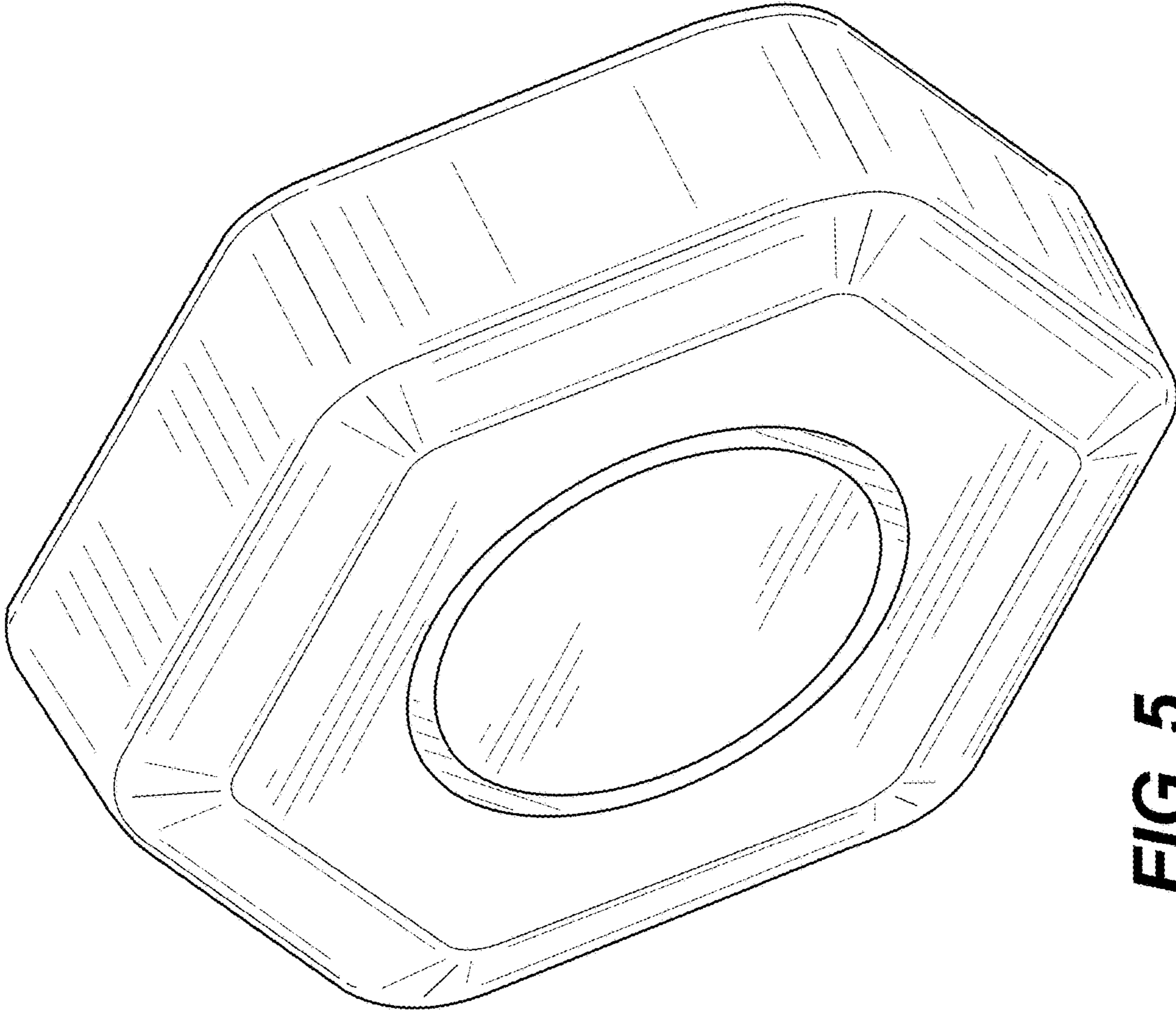


FIG. 5

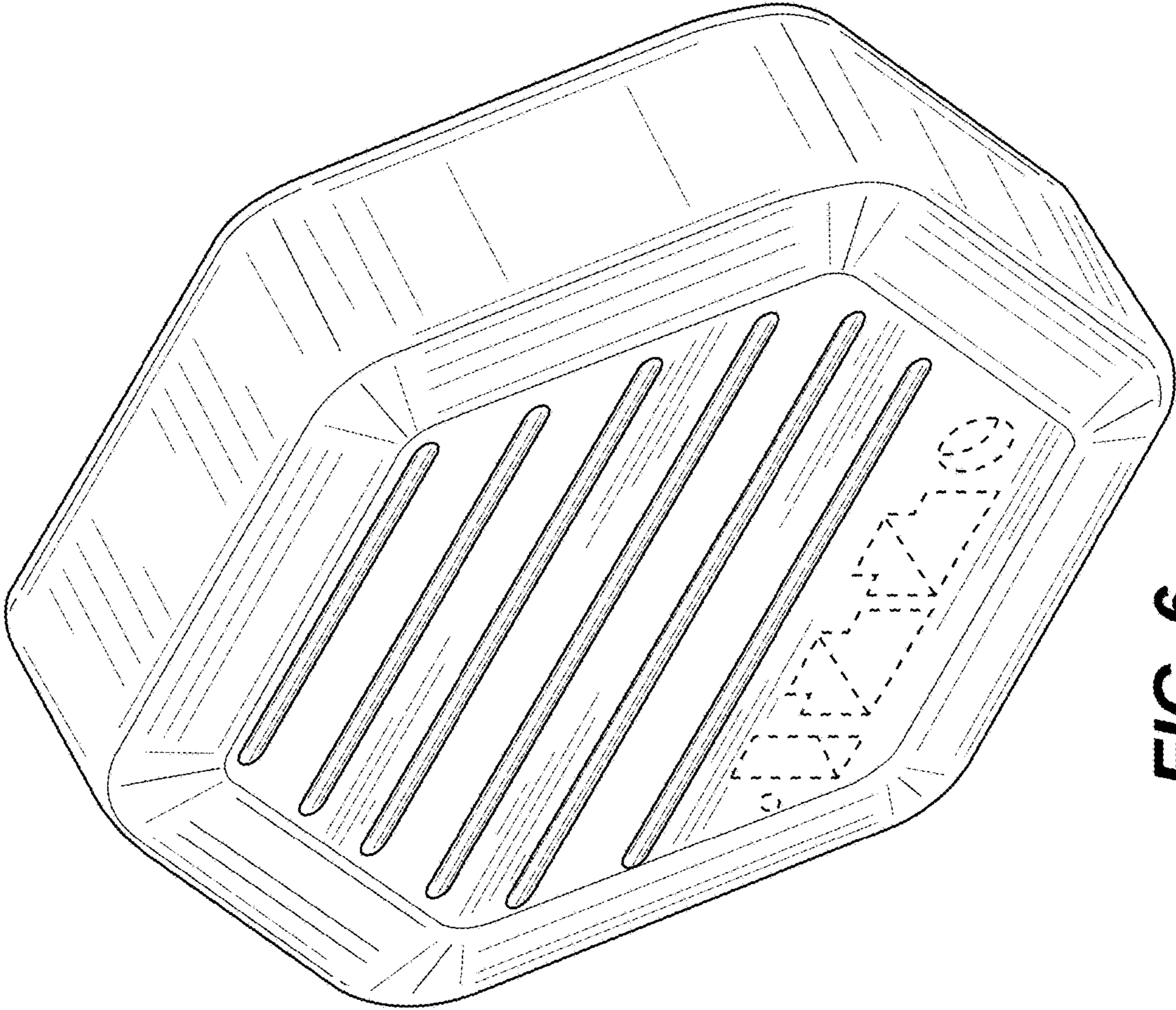


FIG. 6

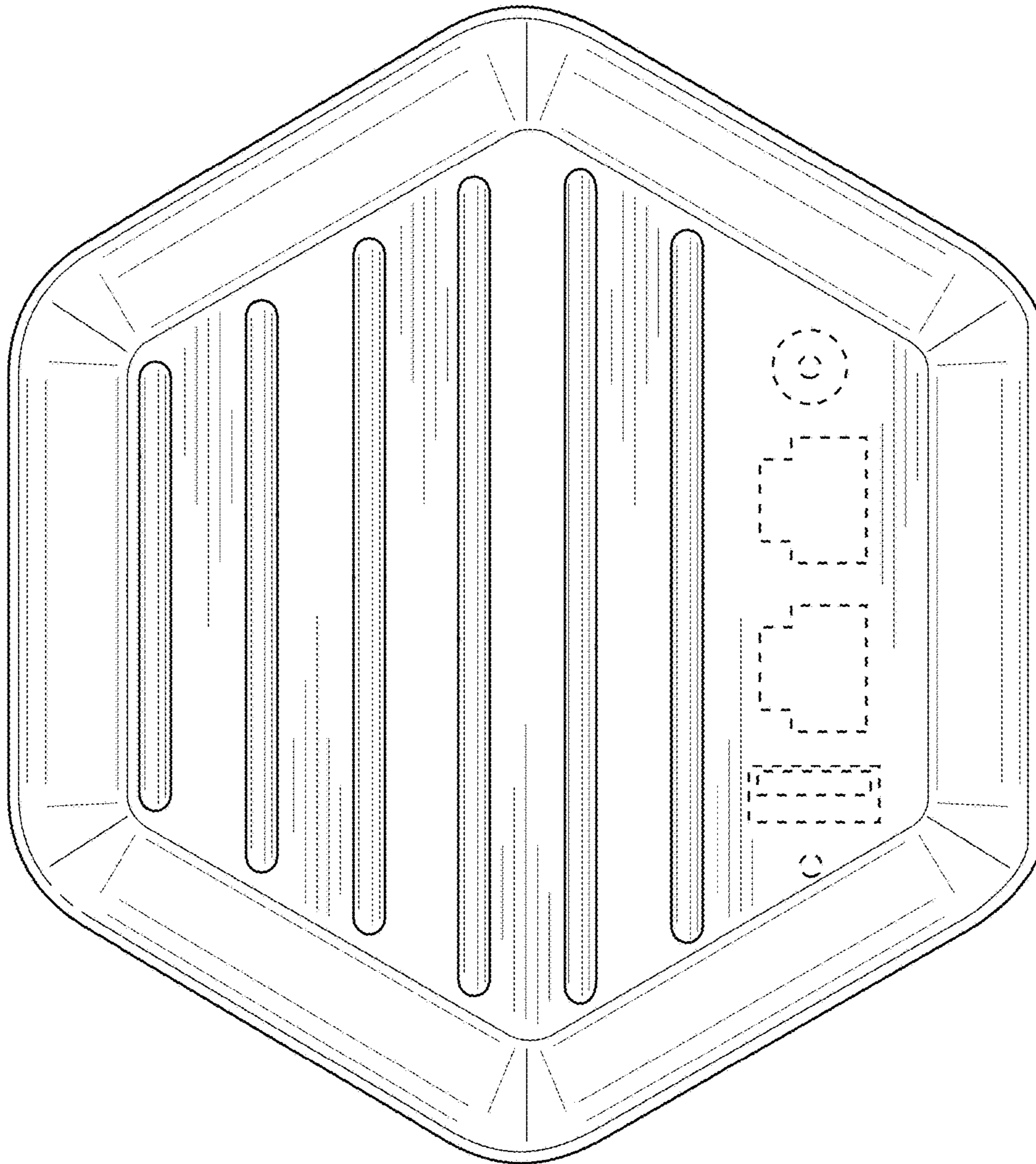


FIG. 7

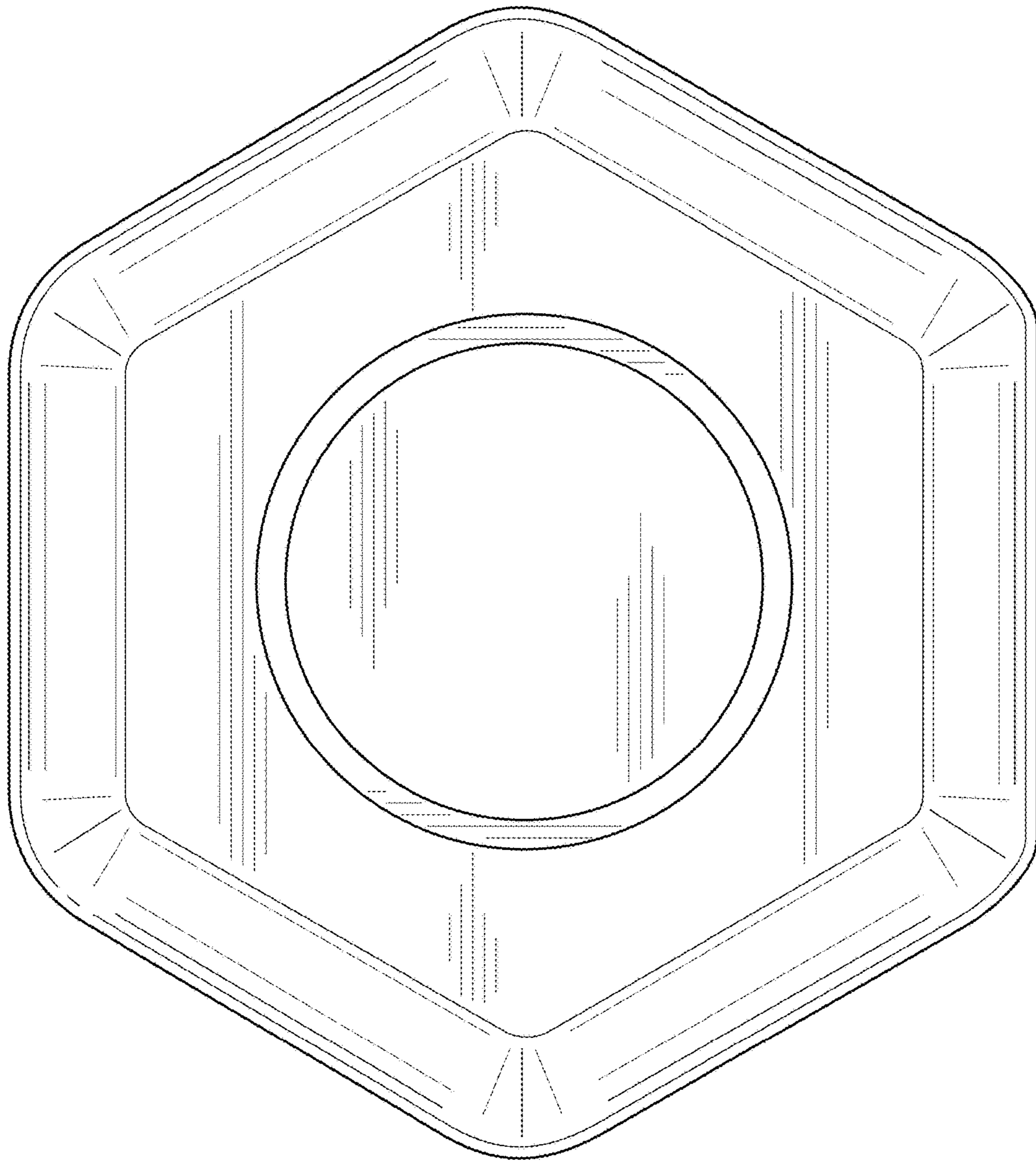


FIG. 8

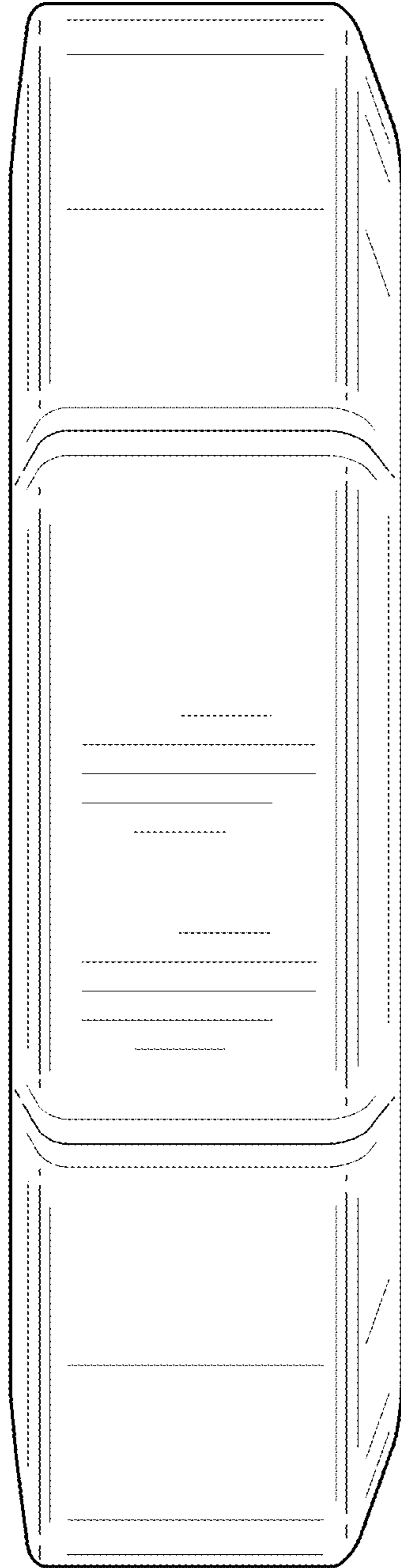


FIG. 9

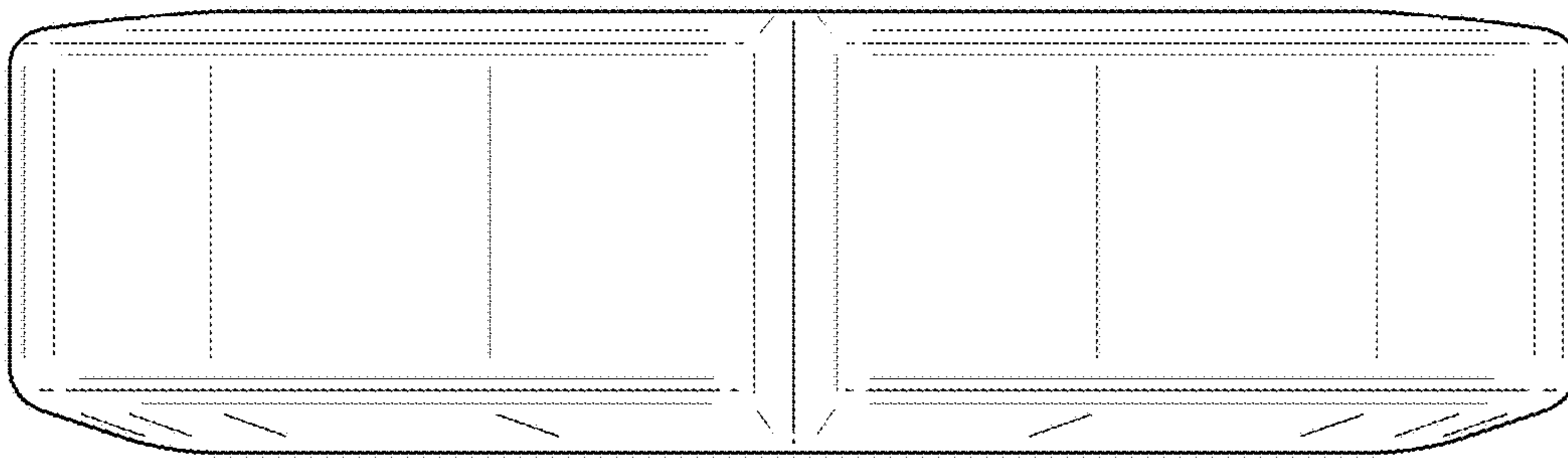


FIG. 10